



US00D551941S

(12) **United States Design Patent**
Miao et al.

(10) **Patent No.: US D551,941 S**

(45) **Date of Patent: ** Oct. 2, 2007**

(54) **CAM LOCK**

(74) *Attorney, Agent, or Firm*—James H. Walters

(75) **Inventors: Tony Miao, Taishan Hsiang (TW);
Larry Freck, Wauconda, IL (US)**

(57) **CLAIM**

The ornamental design for a cam lock, as shown and described.

(73) **Assignees: Jin Tay Industries Co., Ltd., Taishan Hsiang, Taipei Hsien (TW); Royal Lock Corp., Wauconda, IL (US)**

DESCRIPTION

(**) **Term: 14 Years**

FIG. 1 is a perspective view of a cam lock showing our new design;

(21) **Appl. No.: 29/257,281**

FIG. 2 is a front view thereof;

(22) **Filed: Mar. 31, 2006**

FIG. 3 is a rear view thereof;

(51) **LOC (8) Cl. 08-07**

FIG. 4 is a left view thereof;

(52) **U.S. Cl. D8/336**

FIG. 5 is a right view thereof;

(58) **Field of Classification Search D8/330-348;
70/14, 52, 57-58, 218, 271, 431, 494, 492,
70/222, 367; 292/118, 66, 97**

FIG. 6 is a top view thereof;

See application file for complete search history.

FIG. 7 is a bottom view thereof;

(56) **References Cited**

FIG. 8 is an operational perspective view of the cam lock in FIG. 1 when a cover is open;

U.S. PATENT DOCUMENTS

FIG. 9 is an operational left view of the cam lock in FIG. 1 when a cover is open; and,

4,208,894 A * 6/1980 Surko, Jr. 70/494

FIG. 10 is an operational top view of the cam lock in FIG. 1 when a cover is open.

6,868,705 B2 * 3/2005 Miao 70/492

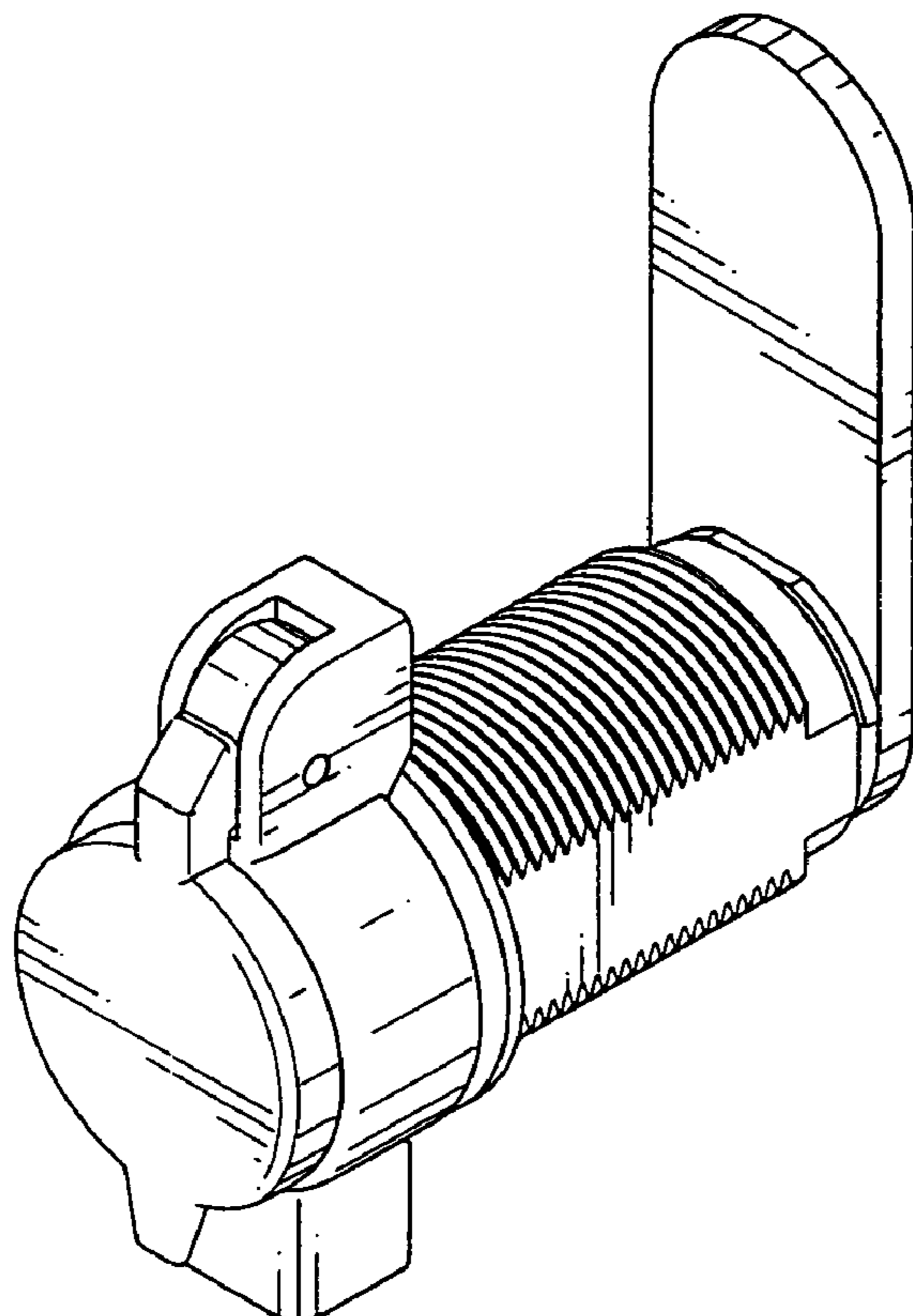
D505,854 S * 6/2005 Wyers D8/343

The broken line showing is included for the purpose of illustrating and forms no part of the claimed design.

* cited by examiner

Primary Examiner—Mitchell Siegel

1 Claim, 10 Drawing Sheets



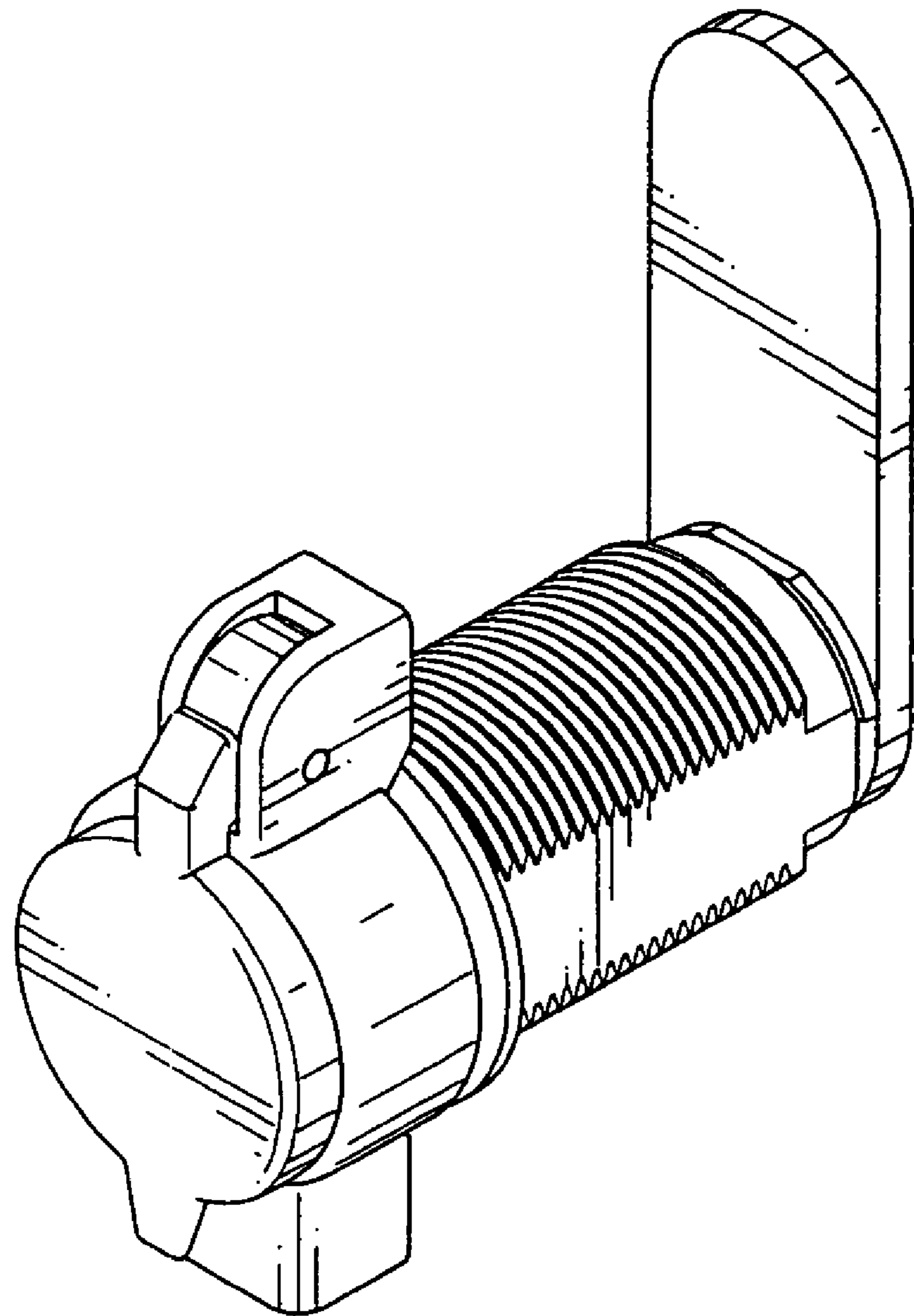


FIG. 1

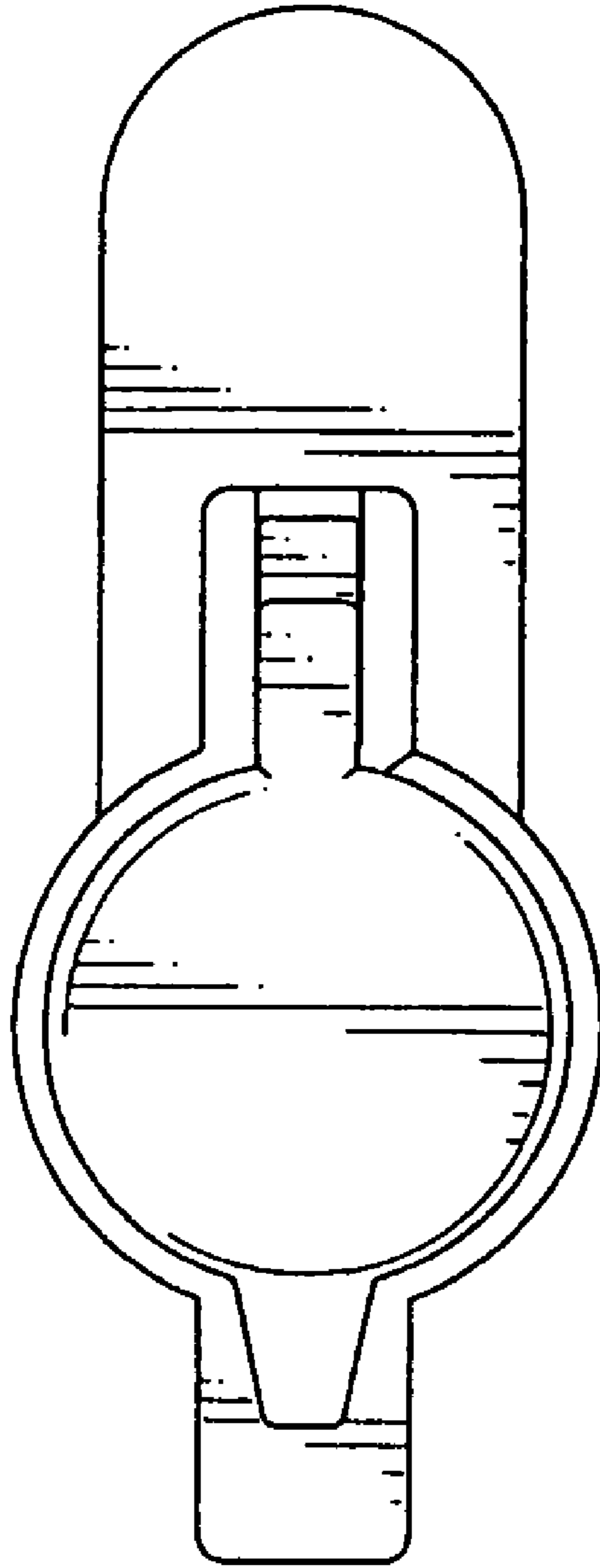


FIG.2

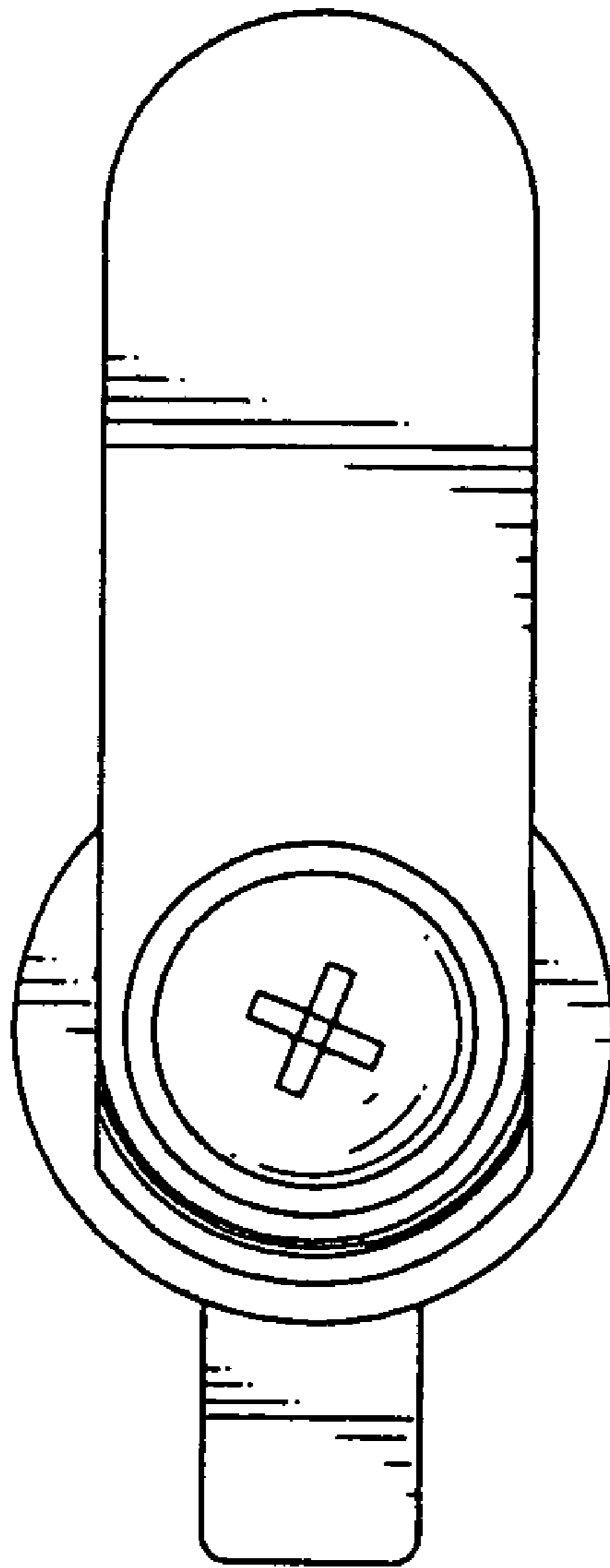


FIG.3

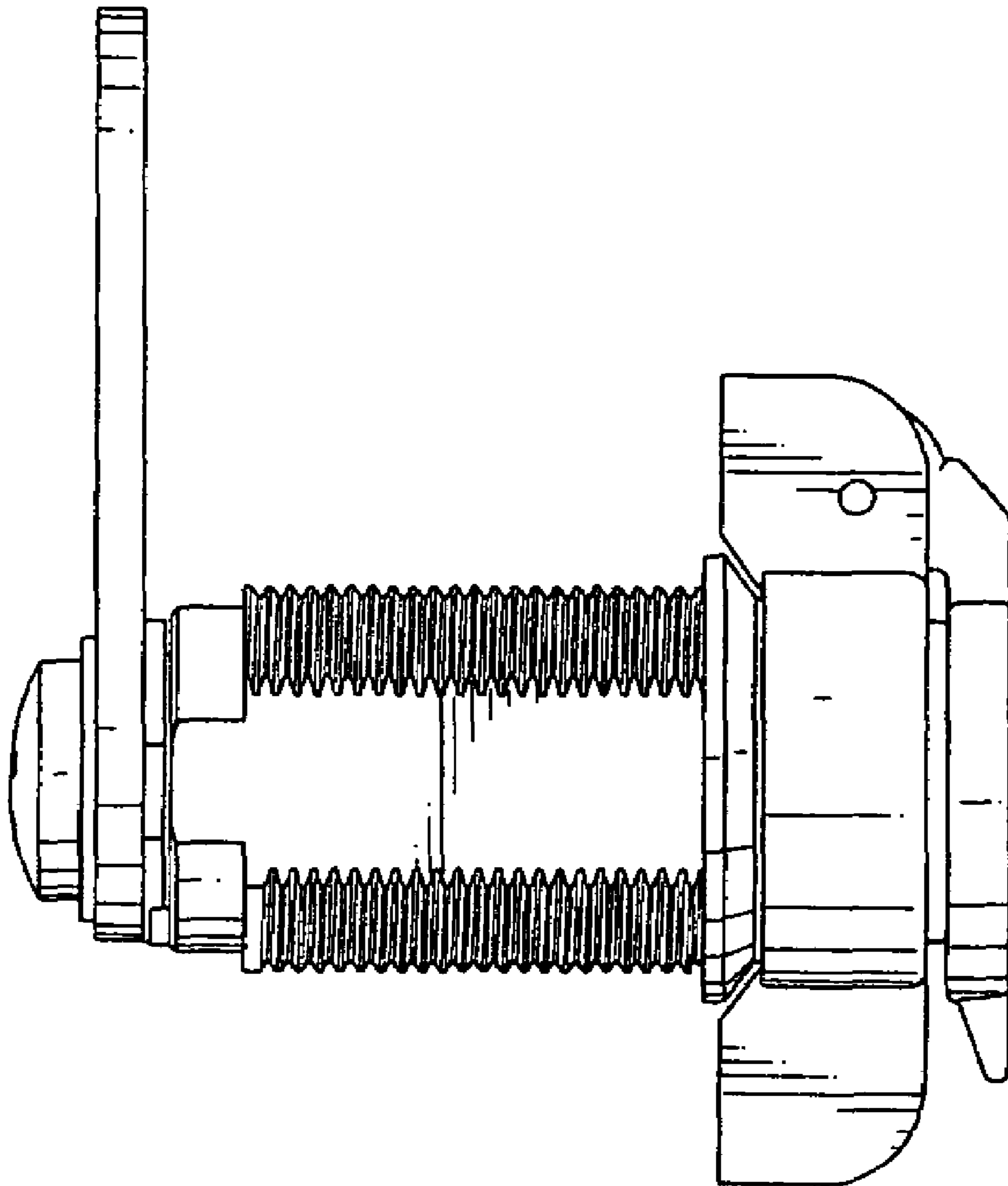


FIG.4

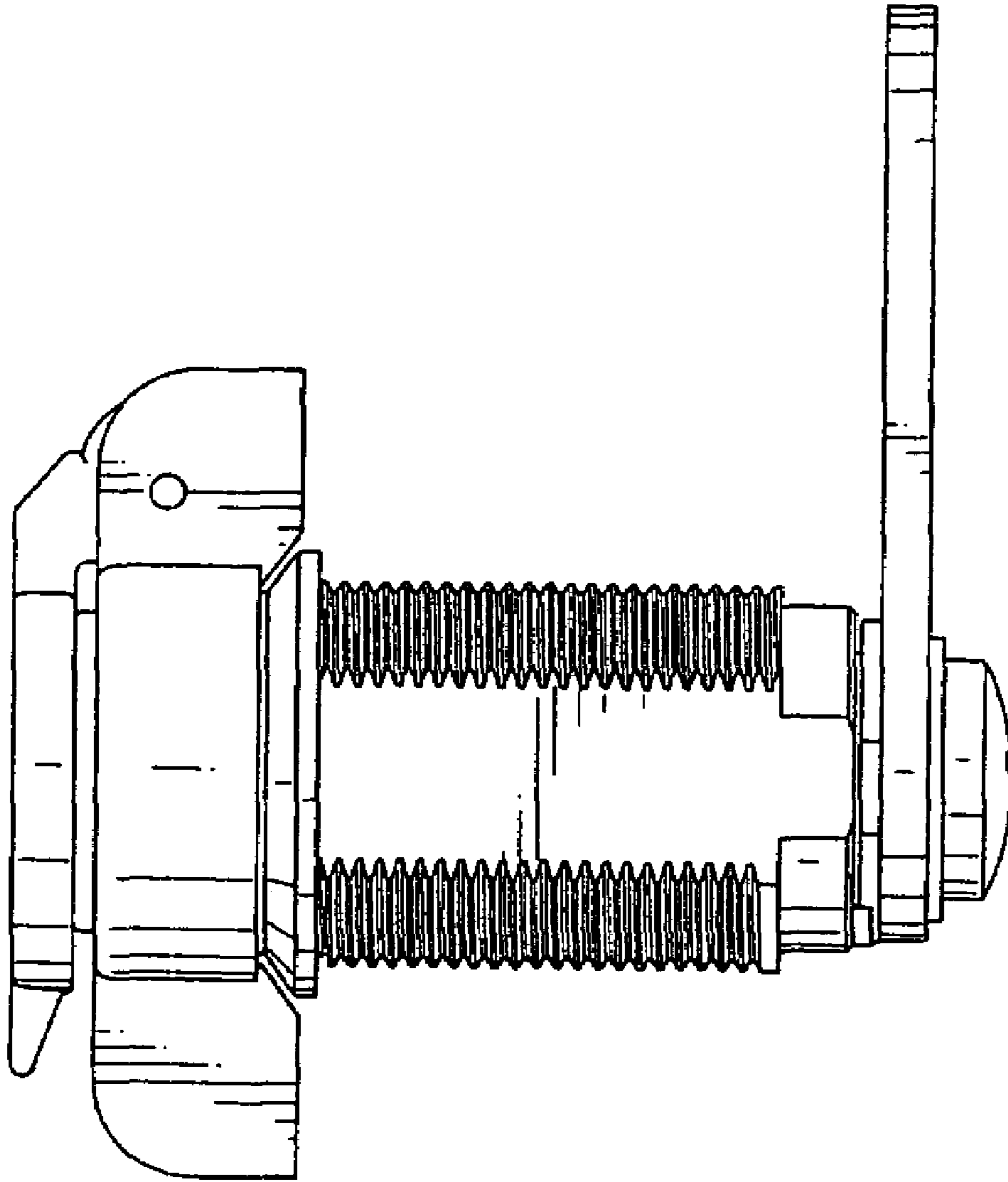


FIG. 5

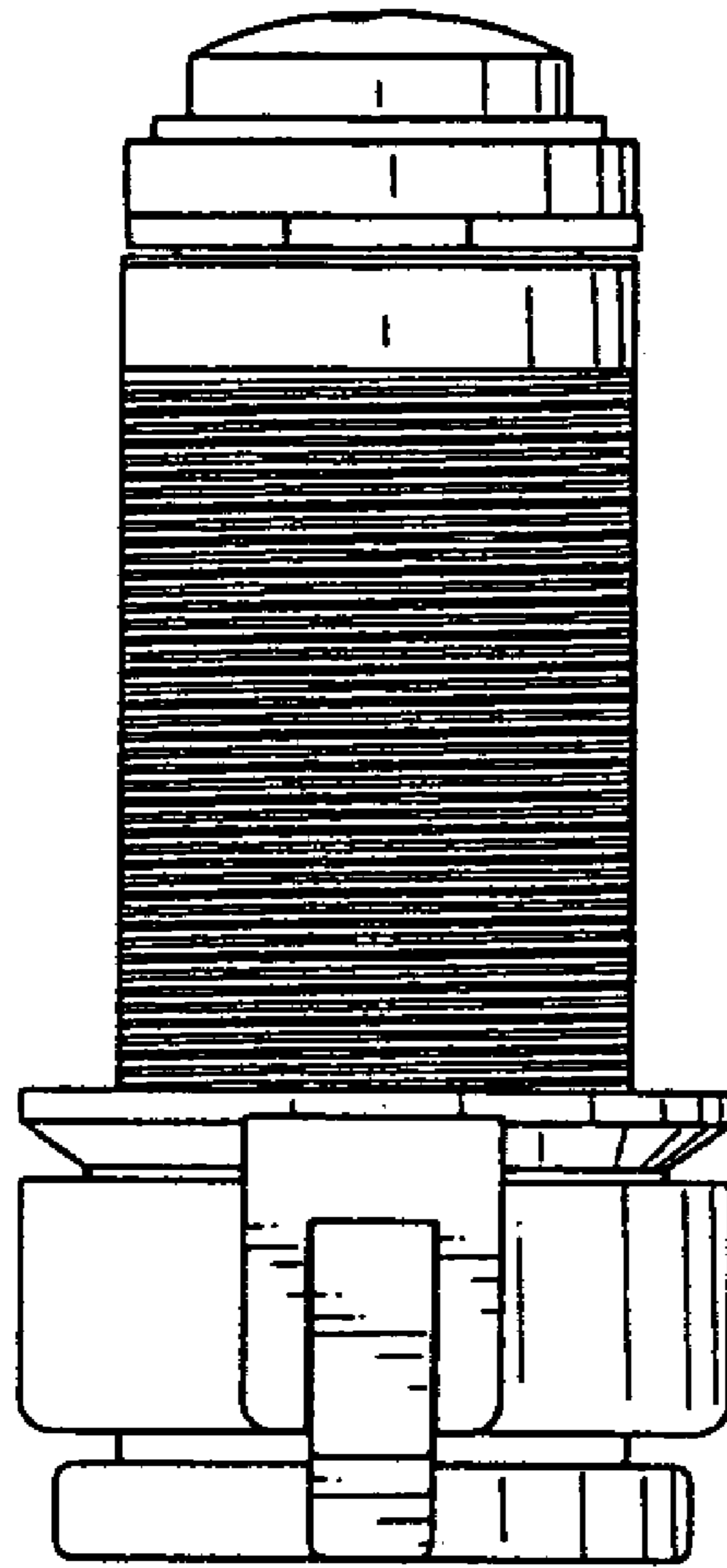


FIG.6

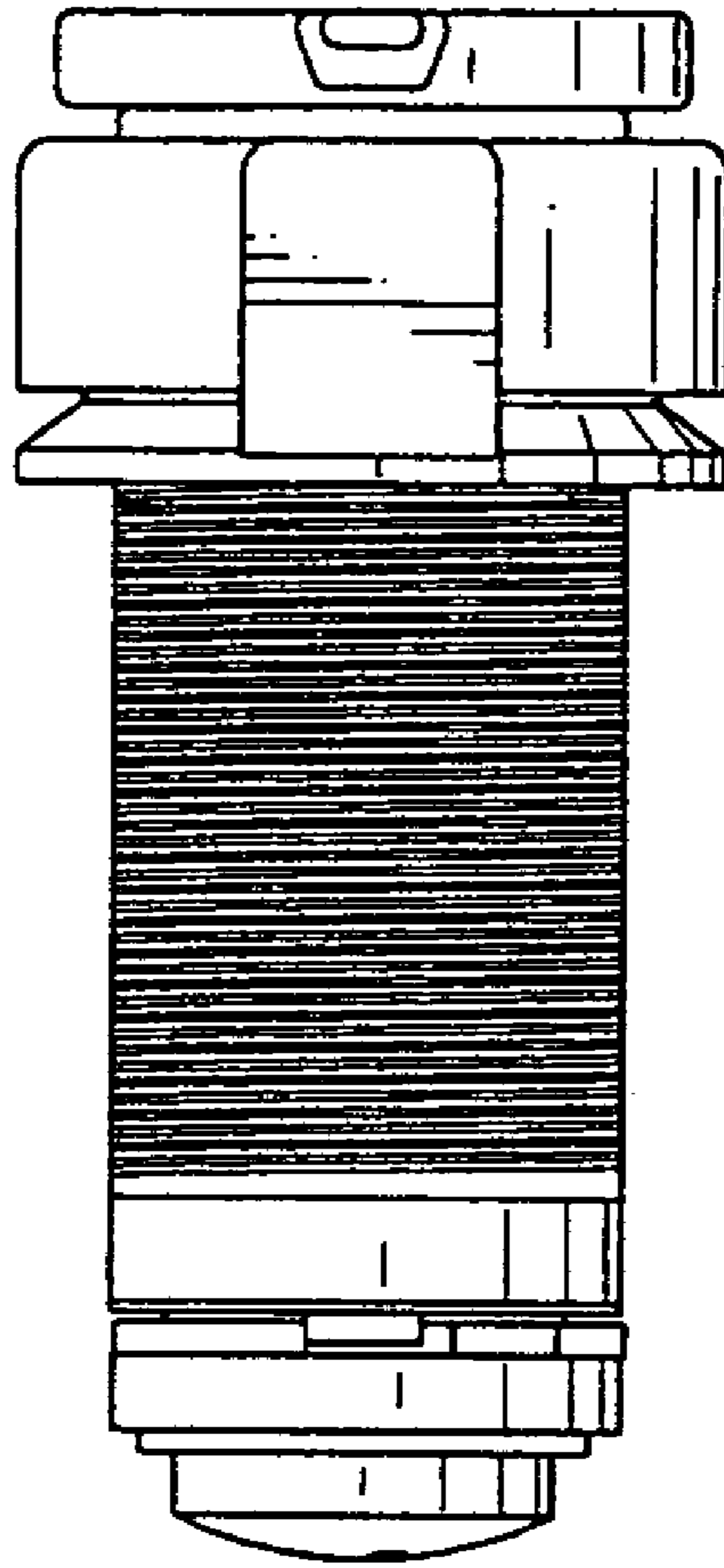


FIG.7

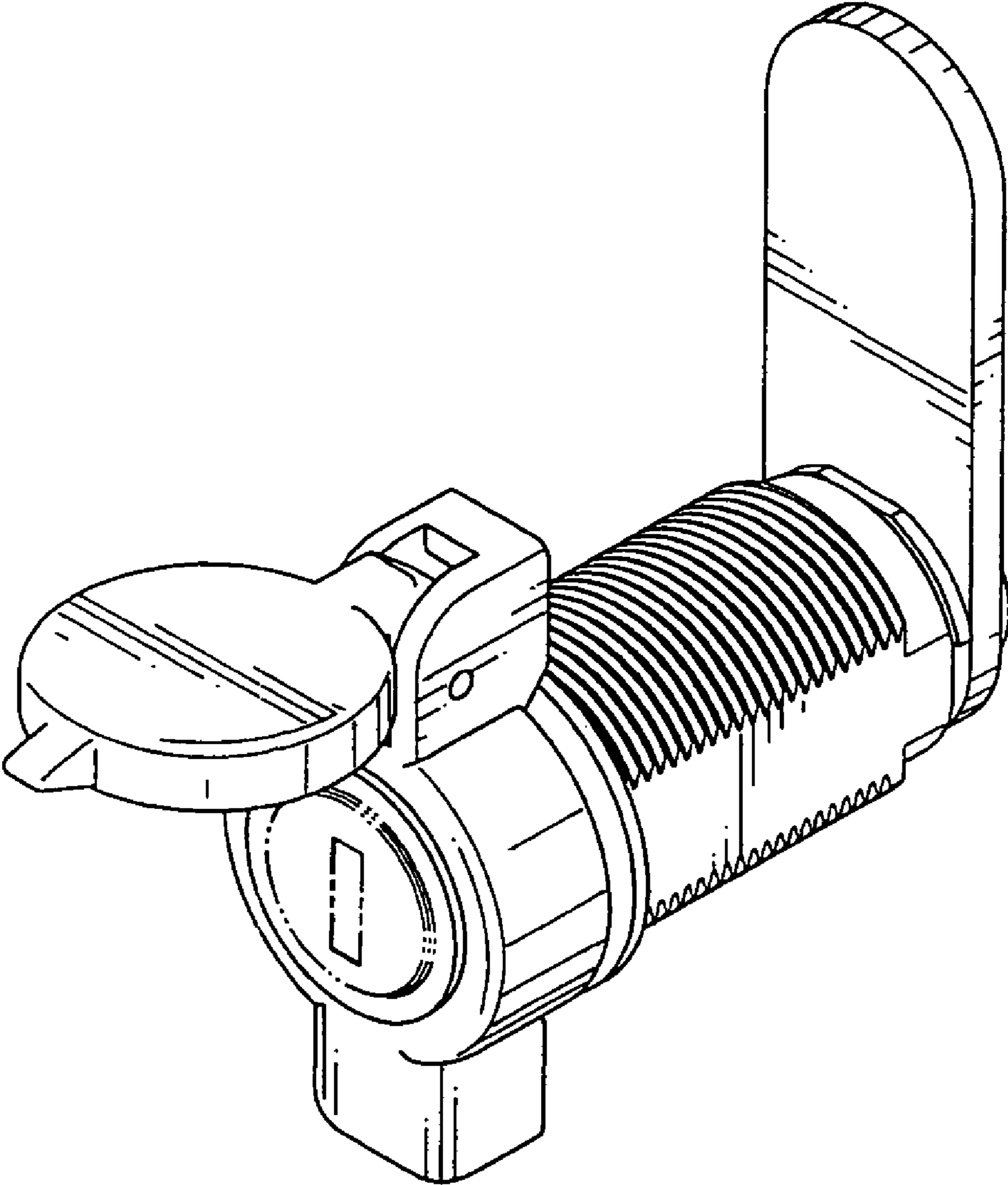


FIG.8

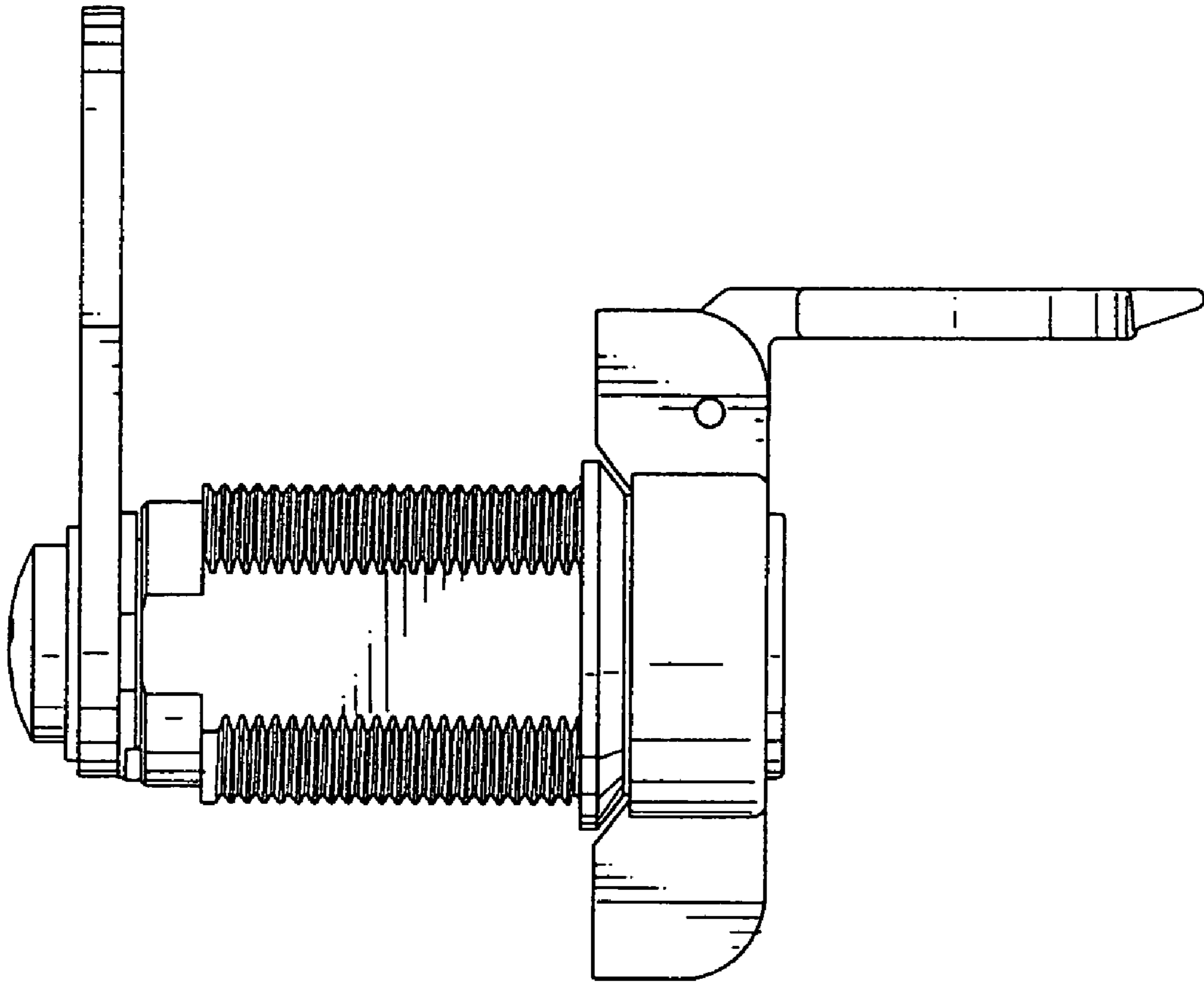


FIG.9

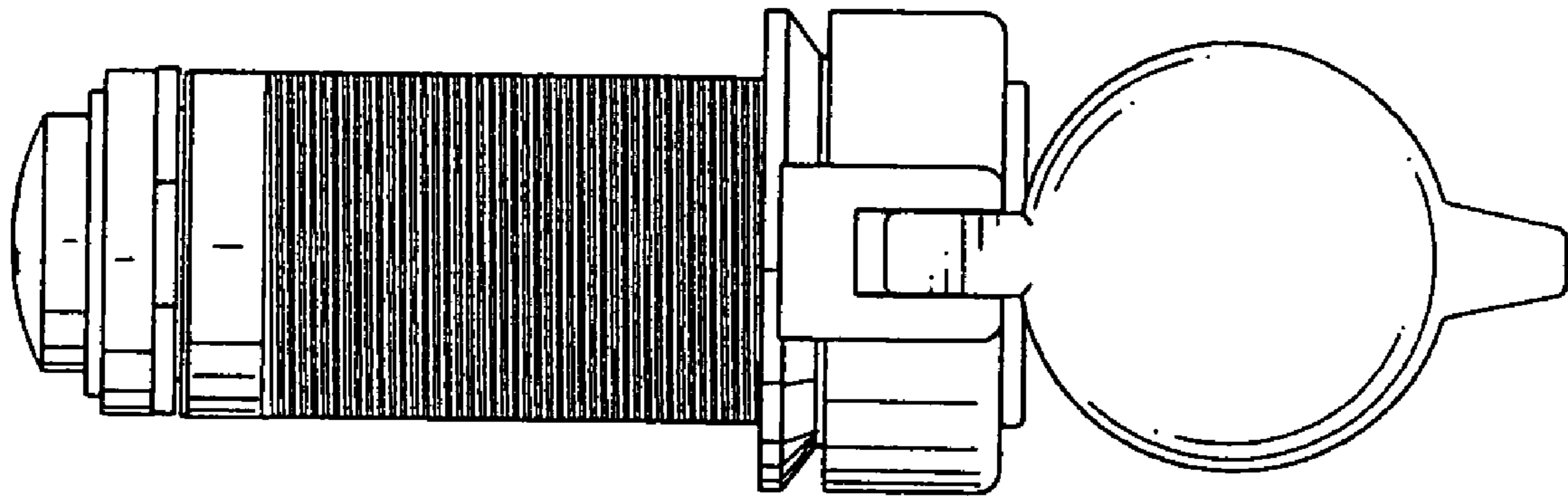


FIG.10