



US00D551939S

(12) **United States Design Patent**  
**Krumpe**

(10) **Patent No.:** **US D551,939 S**

(45) **Date of Patent:** **\*\* Oct. 2, 2007**

(54) **PULL**

(75) Inventor: **Geraint Krumpe**, Chicago, IL (US)

(73) Assignee: **Liberty Hardware Mfg. Corp.**,  
Winston-Salem, NC (US)

(\*\*) Term: **14 Years**

(21) Appl. No.: **29/262,836**

(22) Filed: **Jul. 12, 2006**

(51) **LOC (8) Cl.** ..... **08-06**

(52) **U.S. Cl.** ..... **D8/316**

(58) **Field of Classification Search** ..... D8/300,  
D8/306-307, 315-320, DIG. 1; D3/276,  
D3/282, 291; 190/115-118; 15/235.4, 244.1;  
16/110.1, 124-125, 407-412, 414-415, 417,  
16/436; D7/393, 395; D23/250-252  
See application file for complete search history.

(56) **References Cited**

U.S. PATENT DOCUMENTS

- D47,445 S \* 6/1915 Wernicke ..... D8/316
- D64,095 S \* 2/1924 Yates ..... D8/307
- D125,452 S \* 2/1941 Marcheck et al. .... D8/318
- D145,343 S \* 7/1946 Wallace ..... D8/317

- D162,505 S \* 3/1951 Adkinson ..... D8/317
- 3,010,133 A \* 11/1961 Hurd ..... 15/235.4
- D270,033 S \* 8/1983 Szabo ..... D8/306
- 6,473,939 B1 \* 11/2002 Stegmaier ..... 16/436

\* cited by examiner

*Primary Examiner*—Paula A. Greene

(74) *Attorney, Agent, or Firm*—Edgar A. Zarins; Lloyd D. Doigan

(57) **CLAIM**

The ornamental design for a pull, as shown and described.

**DESCRIPTION**

FIG. 1 is a perspective view of a pull showing my new design;

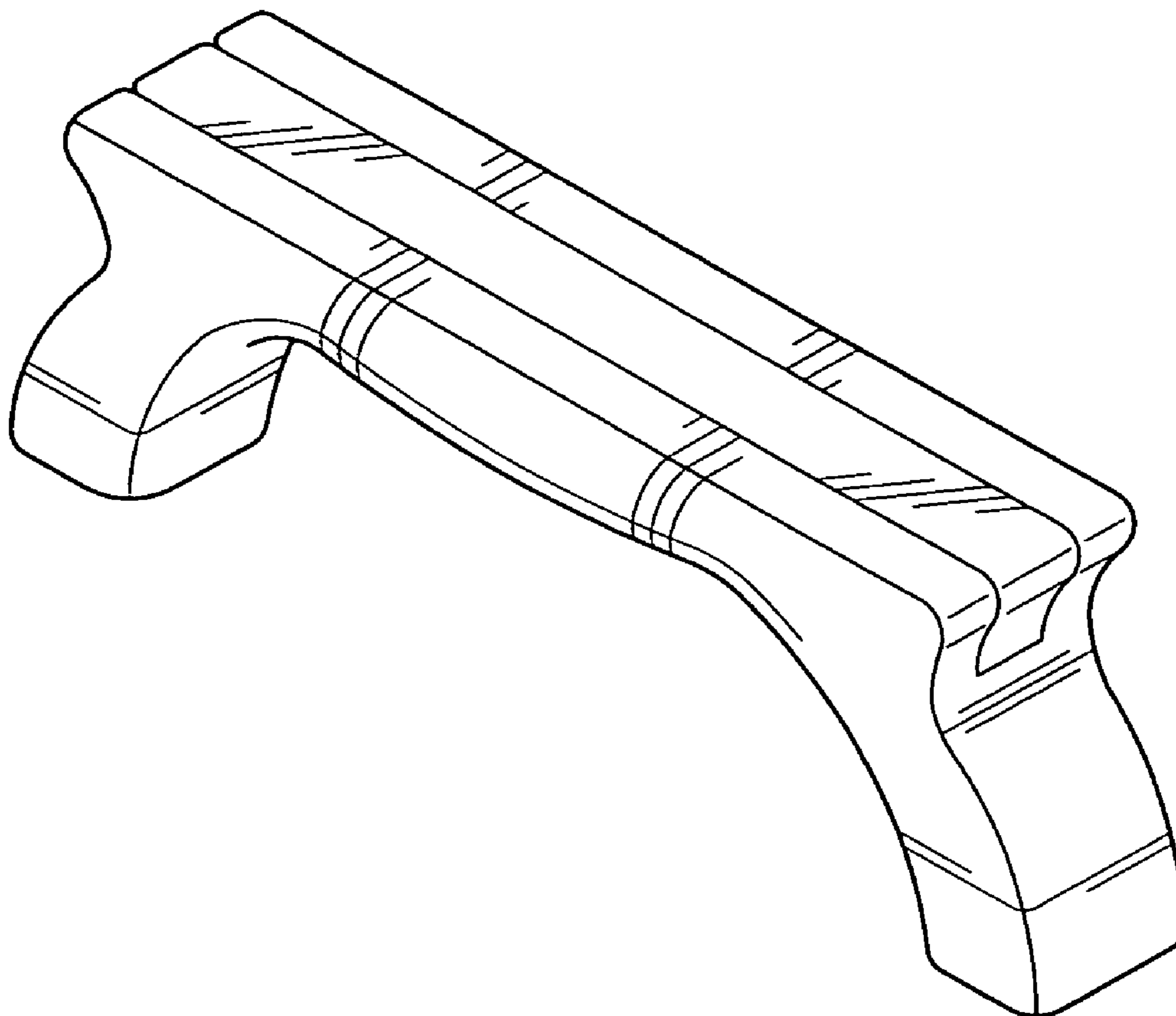
FIG. 2 is a side view thereof, the opposite side being a mirror image of the side shown;

FIG. 3 is a front elevational view thereof, the unclaimed rear view is not part of the claimed design;

FIG. 4 is an end view thereof, the opposite end being a mirror image of the end shown; and,

FIG. 5 is a transverse cross-sectional view thereof.

**1 Claim, 1 Drawing Sheet**



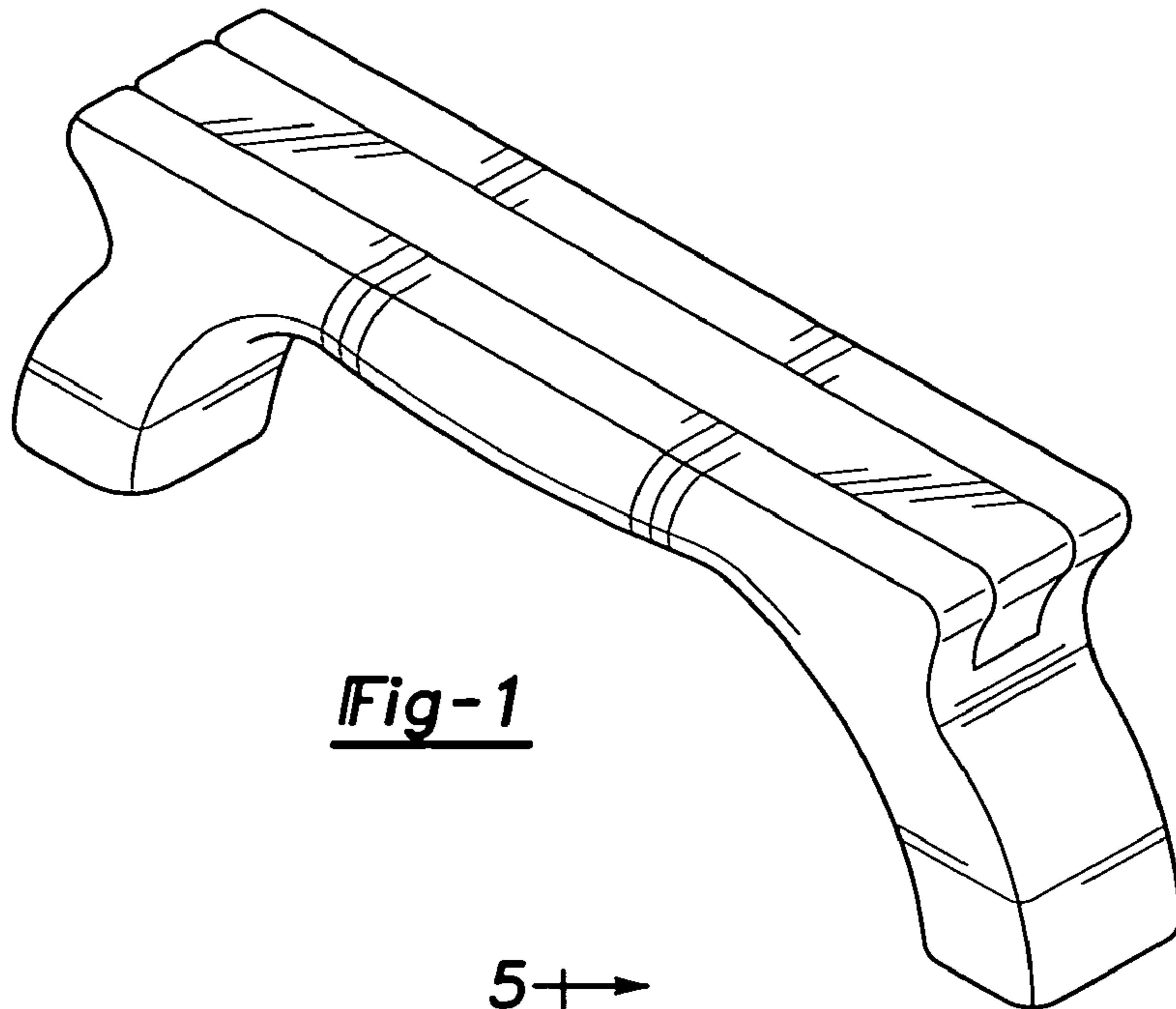


Fig-1

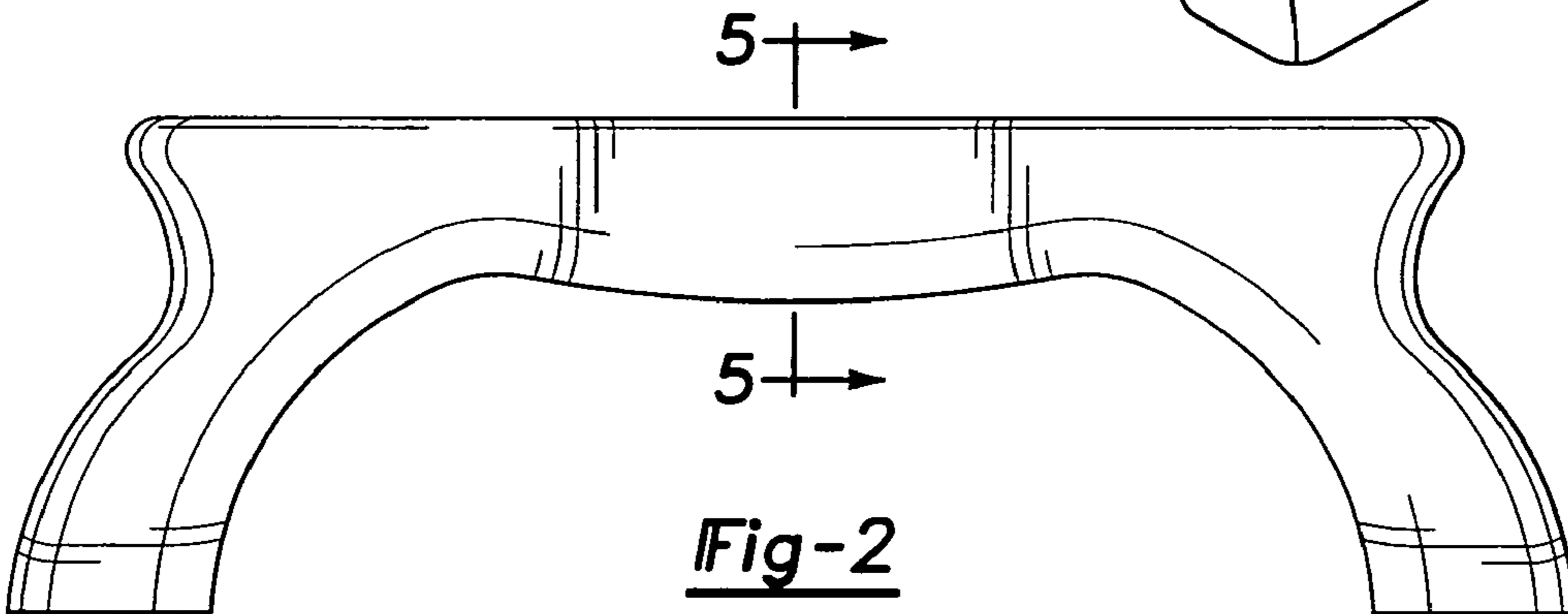


Fig-2

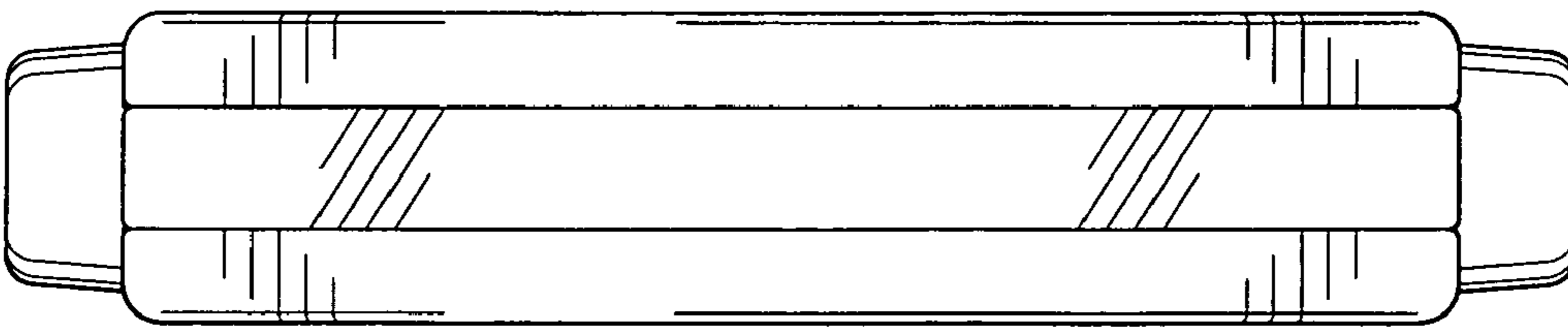


Fig-3

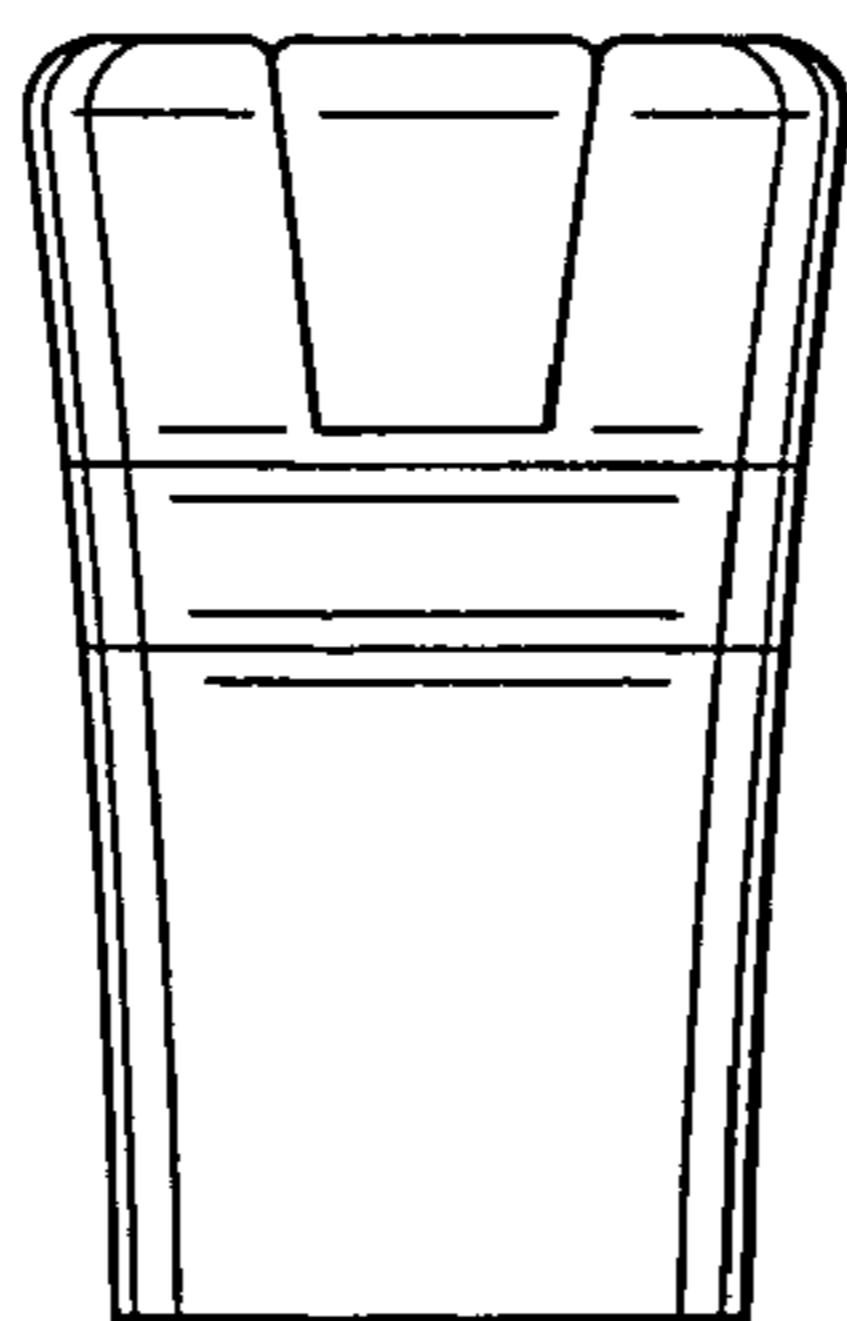


Fig-4

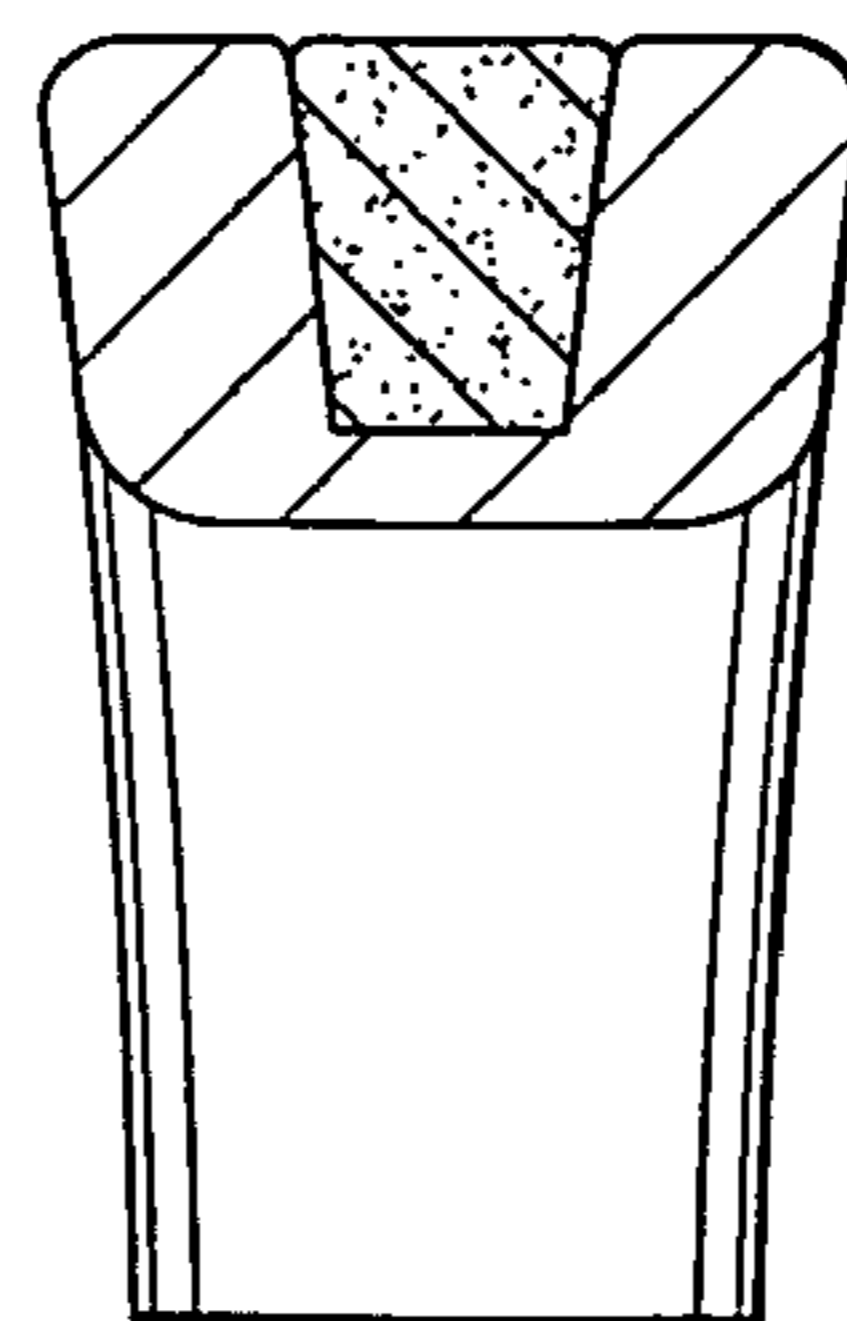


Fig-5