



US00D551938S

(12) **United States Design Patent**  
**Jackson**

(10) **Patent No.:** **US D551,938 S**

(45) **Date of Patent:** **\*\* Oct. 2, 2007**

(54) **PULL**

(75) **Inventor:** **Timothy A. Jackson**, Winston-Salem, NC (US)

(73) **Assignee:** **Liberty Hardware Mfg. Corp.**, Winston-Salem, NC (US)

(\*\*) **Term:** **14 Years**

(21) **Appl. No.:** **29/262,815**

(22) **Filed:** **Jul. 11, 2006**

(51) **LOC (8) Cl.** ..... **08-06**

(52) **U.S. Cl.** ..... **D8/316**

(58) **Field of Classification Search** ..... D8/300,  
D8/305, 307, 308, 315-320, DIG. 1; D7/393-395;  
D23/250-252; 16/110.1, 412, 414-415,  
16/417

See application file for complete search history.

(56) **References Cited**

U.S. PATENT DOCUMENTS

D128,940 S \* 8/1941 Pellegrin ..... D8/313

D130,321 S \* 11/1941 Borchers ..... D8/316

D199,967 S \* 1/1965 Gelert ..... D8/316

D248,923 S \* 8/1978 Spellier ..... D8/313

\* cited by examiner

*Primary Examiner*—Paula A. Greene

(74) *Attorney, Agent, or Firm*—Edgar A. Zarins; Lloyd D. Doigan

(57) **CLAIM**

The ornamental design for a pull, as shown and described.

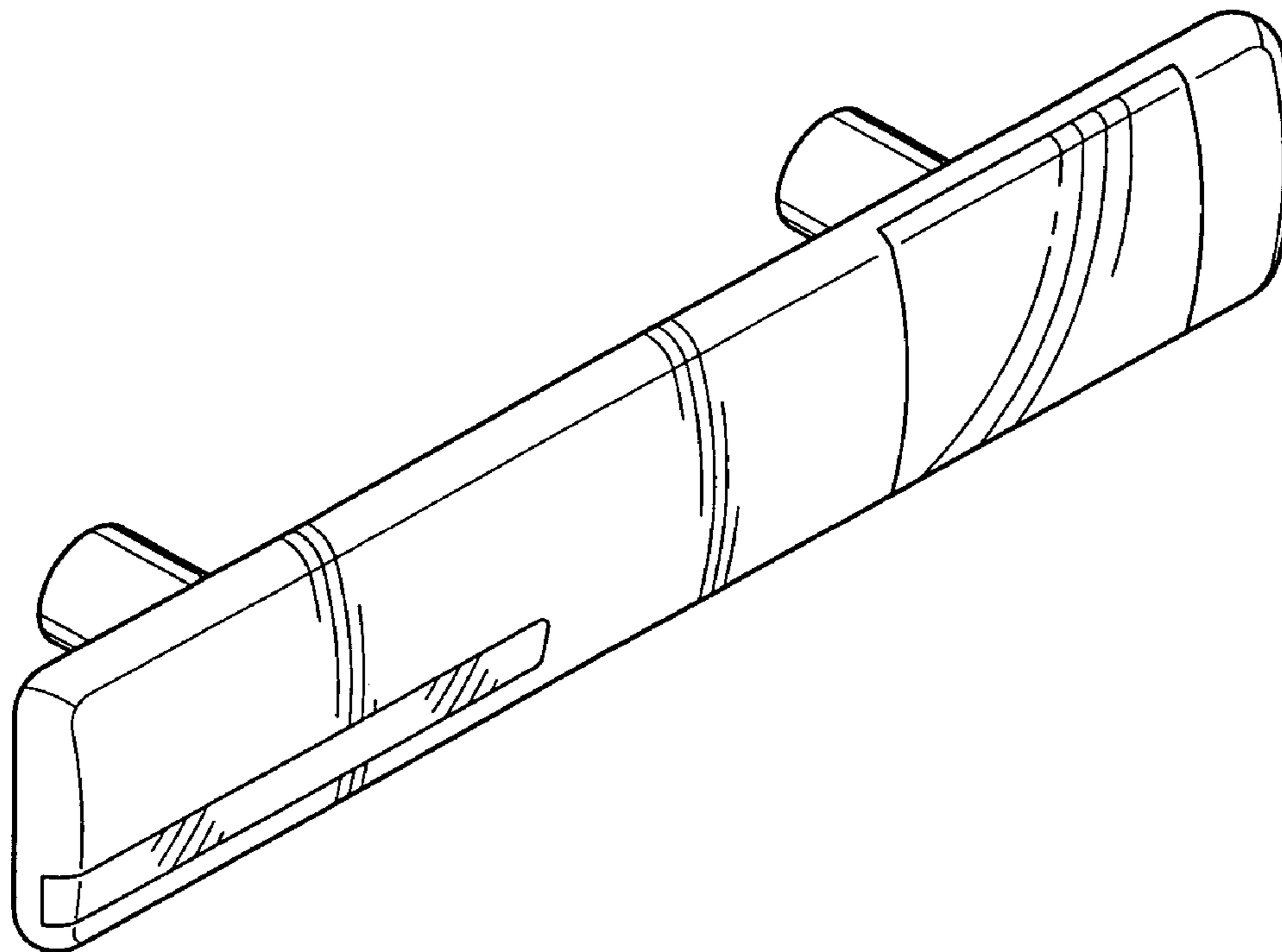
**DESCRIPTION**

FIG. 1 is a perspective view of a pull showing my new design;

FIG. 2 is a front elevational view thereof, the undisclosed rear view is not part of the claimed design; and,

FIG. 3 is a longitudinal cross-sectional view thereof.

**1 Claim, 1 Drawing Sheet**



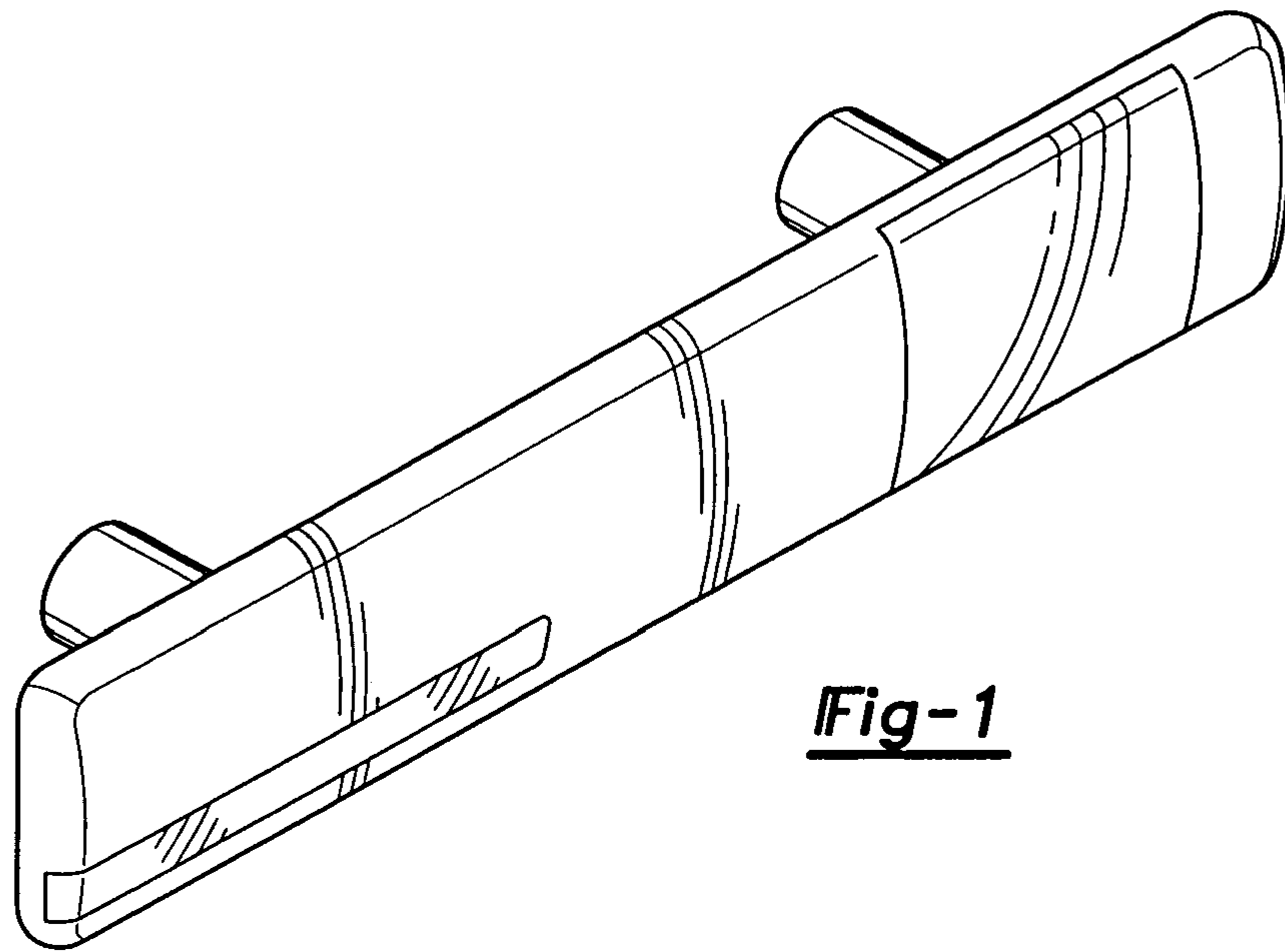


Fig-1

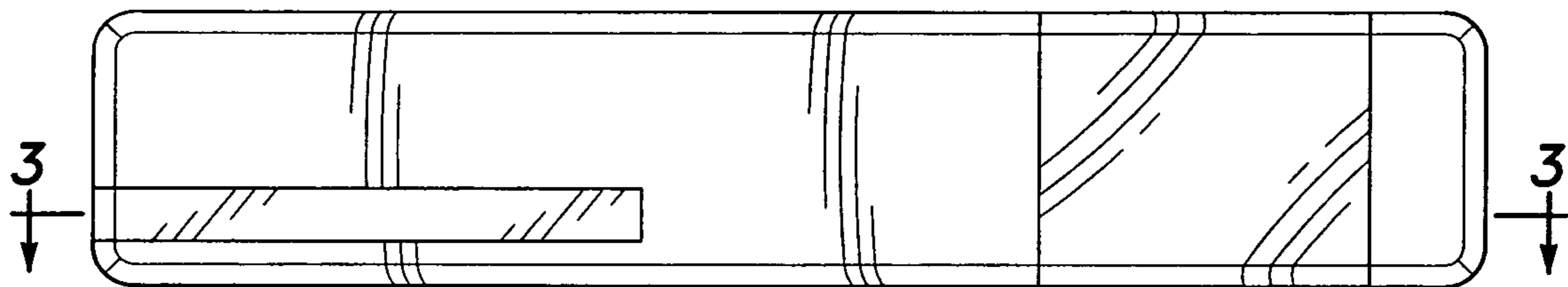


Fig-2

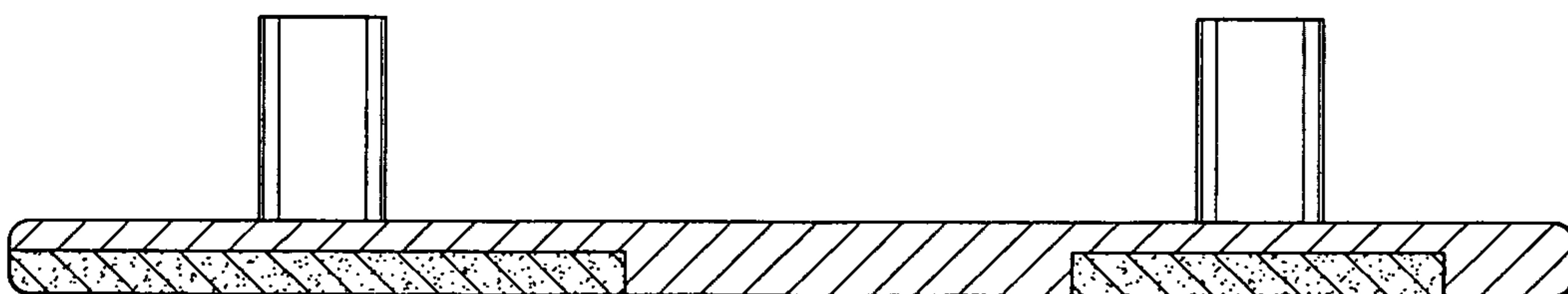


Fig-3