



US00D551937S

(12) **United States Design Patent**
Krumpe et al.

(10) **Patent No.:** **US D551,937 S**

(45) **Date of Patent:** **** Oct. 2, 2007**

(54) **KNOB**
(75) Inventors: **Geraint Krumpe**, Chicago, IL (US);
Victor Hoernig, Lowell, IN (US)
(73) Assignee: **Liberty Hardware Mfg. Corp.**,
Winston-Salem, NC (US)

3,044,817 A * 7/1962 Marcante 292/336.3
D248,445 S * 7/1978 Palm, Jr. D8/310
D274,690 S * 7/1984 Cesaroni D8/310
D291,053 S * 7/1987 Decursu D8/310
D298,506 S * 11/1988 Lee D7/393
D357,851 S * 5/1995 Off D8/310

(**) Term: **14 Years**
(21) Appl. No.: **29/262,932**
(22) Filed: **Jul. 13, 2006**

* cited by examiner
Primary Examiner—Paula A. Greene
(74) *Attorney, Agent, or Firm*—Edgar A. Zarins; Lloyd D. Doigan

(51) **LOC (8) Cl.** **08-06**
(52) **U.S. Cl.** **D8/310**
(58) **Field of Classification Search** D8/300,
D8/307, 310, 312–314, 321, 322, DIG. 2,
D8/DIG. 3; D7/392–393; D23/250–254;
16/110.1, 121, 309, 441; 292/336.3, 337,
292/347

(57) **CLAIM**
The ornamental design for a knob, as shown and described.

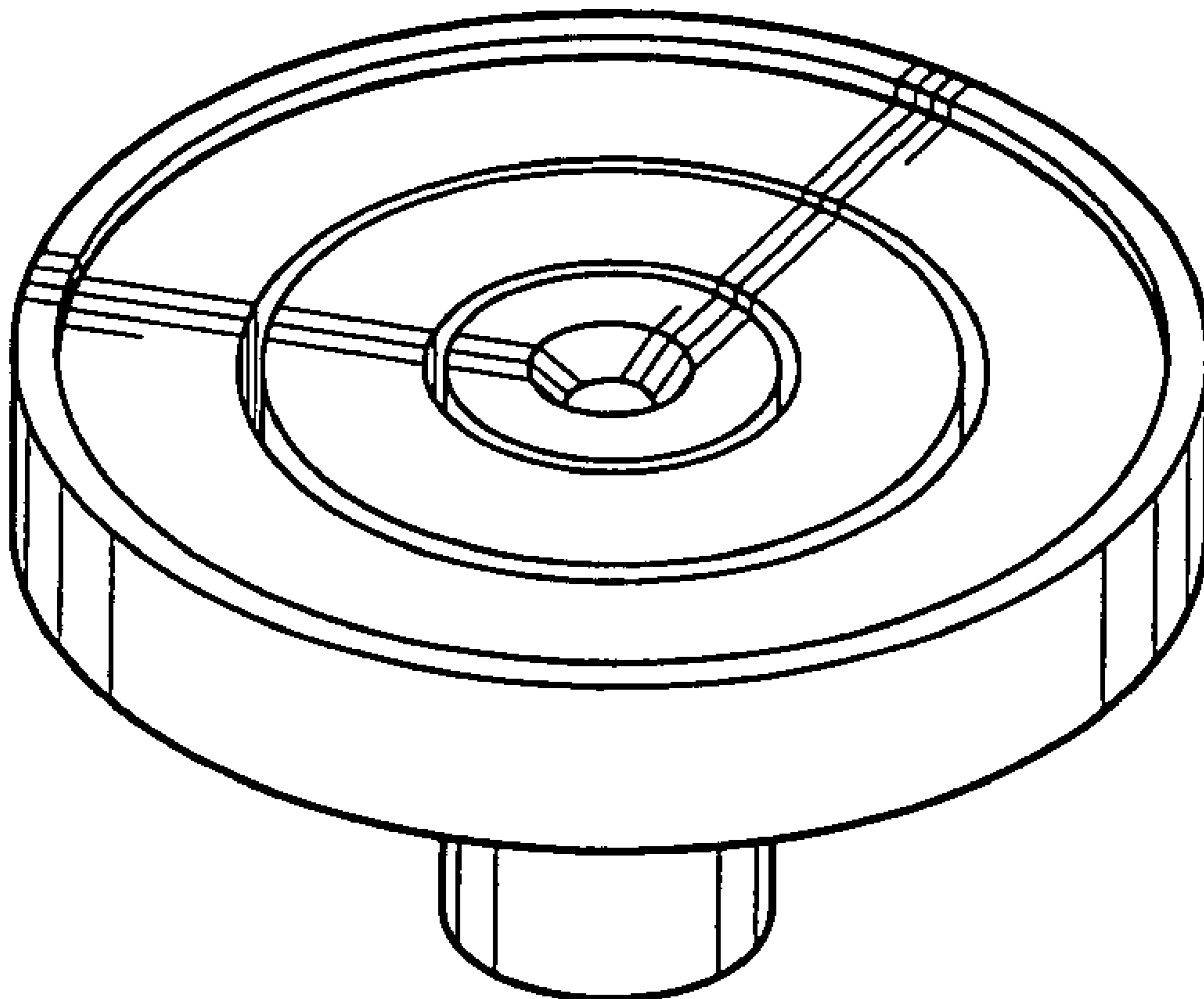
See application file for complete search history.

DESCRIPTION

FIG. 1 is a perspective view of a knob showing our new design;
FIG. 2 is a front elevational view thereof;
FIG. 3 is a side view thereof; and,
FIG. 4 is a transverse cross-sectional view thereof.

(56) **References Cited**
U.S. PATENT DOCUMENTS
D179,497 S * 1/1957 Scott D8/310

1 Claim, 1 Drawing Sheet



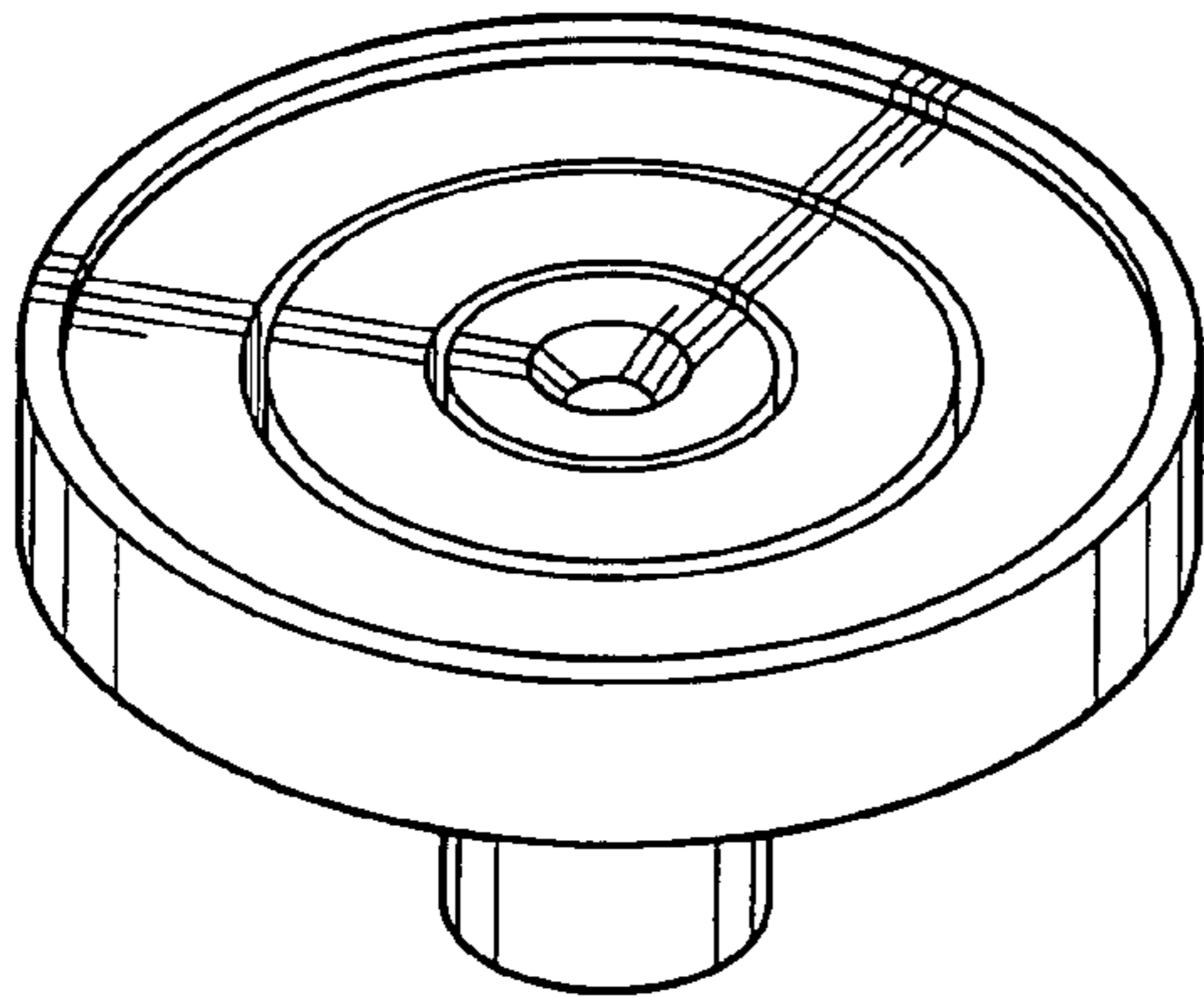


Fig-1

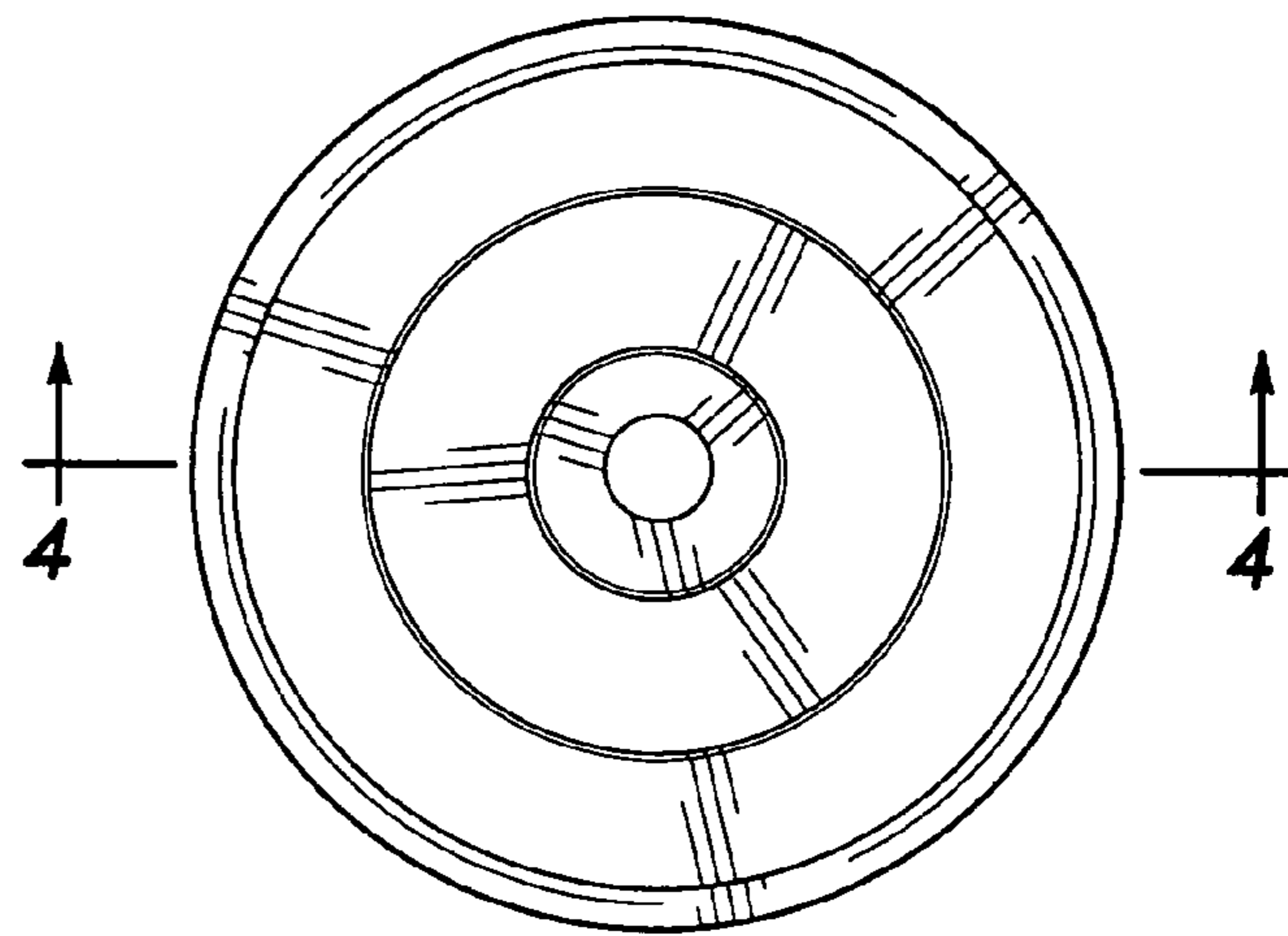


Fig-2

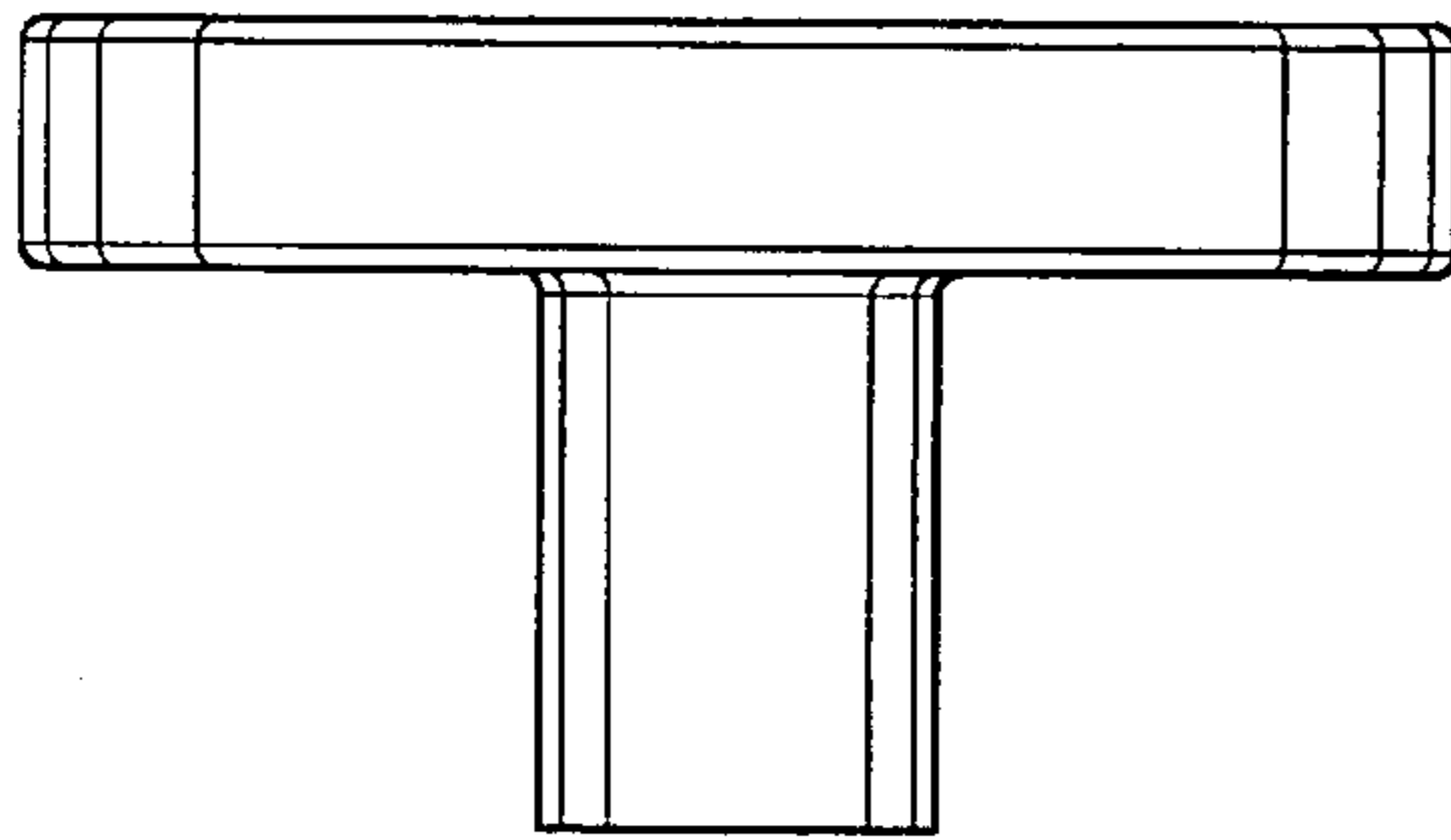


Fig-3

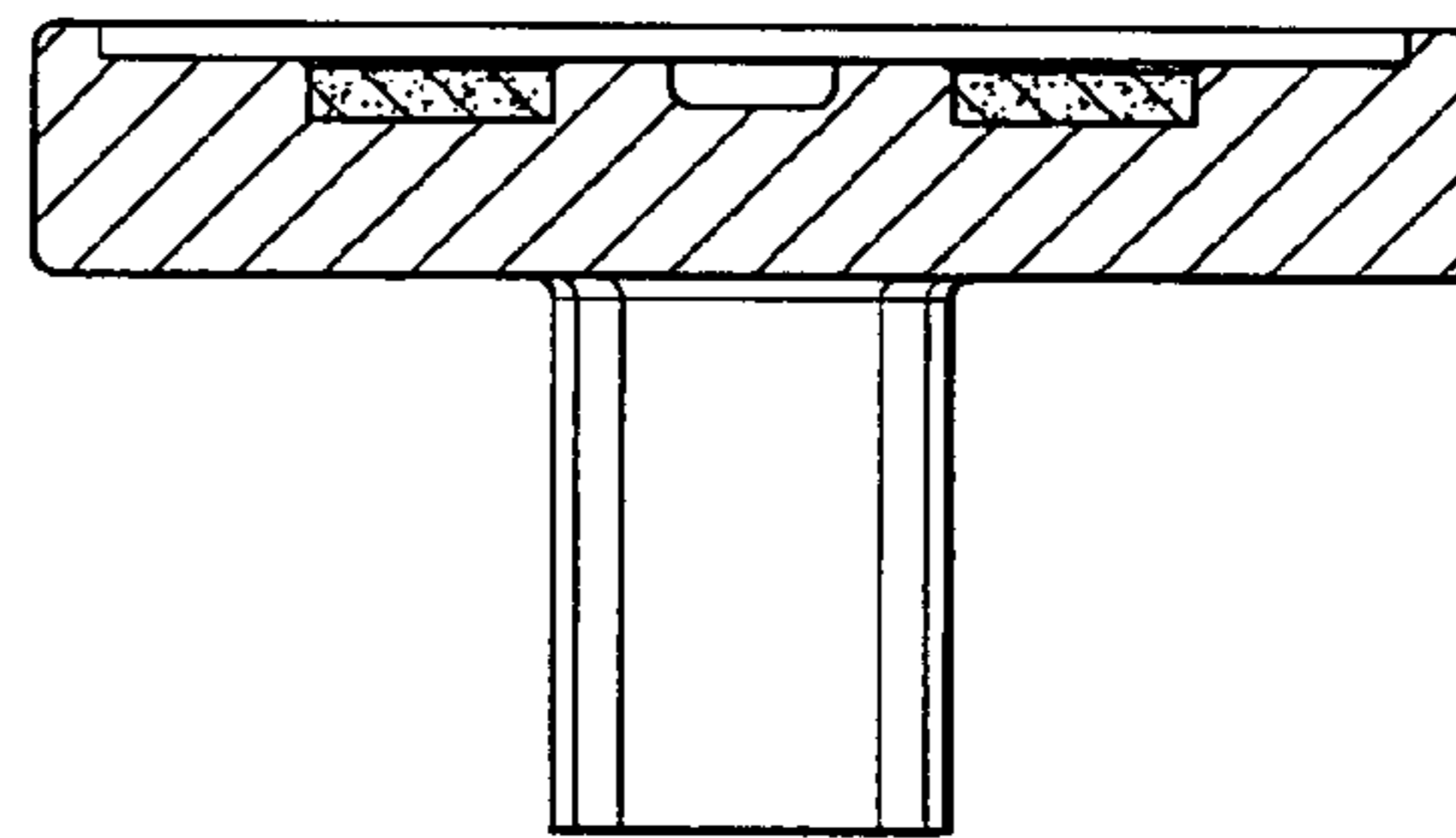


Fig-4