



US00D551934S

(12) **United States Design Patent**
Krumpe

(10) **Patent No.:** **US D551,934 S**

(45) **Date of Patent:** **** Oct. 2, 2007**

(54) **KNOB**

(75) Inventor: **Geraint Krumpe**, Chicago, IL (US)

(73) Assignee: **Liberty Hardware Mfg. Corp.**,
Winston-Salem, NC (US)

(**) Term: **14 Years**

(21) Appl. No.: **29/262,851**

(22) Filed: **Jul. 12, 2006**

(51) **LOC (8) Cl.** **08-06**

(52) **U.S. Cl.** **D8/307; D8/310**

(58) **Field of Classification Search** D8/107,
D8/300-311, 321, DIG. 2, DIG. 3; D7/393,
D7/395; D9/450-453; D23/250-254; 4/675-678;
16/110.1, 414, 417, 431, 441, 443; 74/553;
99/303; 215/313; 222/480, 484, 540, 534,
222/752

See application file for complete search history.

(56) **References Cited**

U.S. PATENT DOCUMENTS

D64,095 S * 2/1924 Yates D8/307

D196,294 S * 9/1963 Zola D8/307
4,193,166 A * 3/1980 Neff 16/441
D331,620 S * 12/1992 Bell et al. D23/252
D419,218 S * 1/2000 Mullenmeister D23/238

* cited by examiner

Primary Examiner—Paula A. Greene

(74) *Attorney, Agent, or Firm*—Edgar A. Zarins; Lloyd D. Doigan

(57) **CLAIM**

The ornamental design for a knob, as shown and described.

DESCRIPTION

FIG. 1 is a perspective view of a knob showing my new design;

FIG. 2 is a front elevational view thereof;

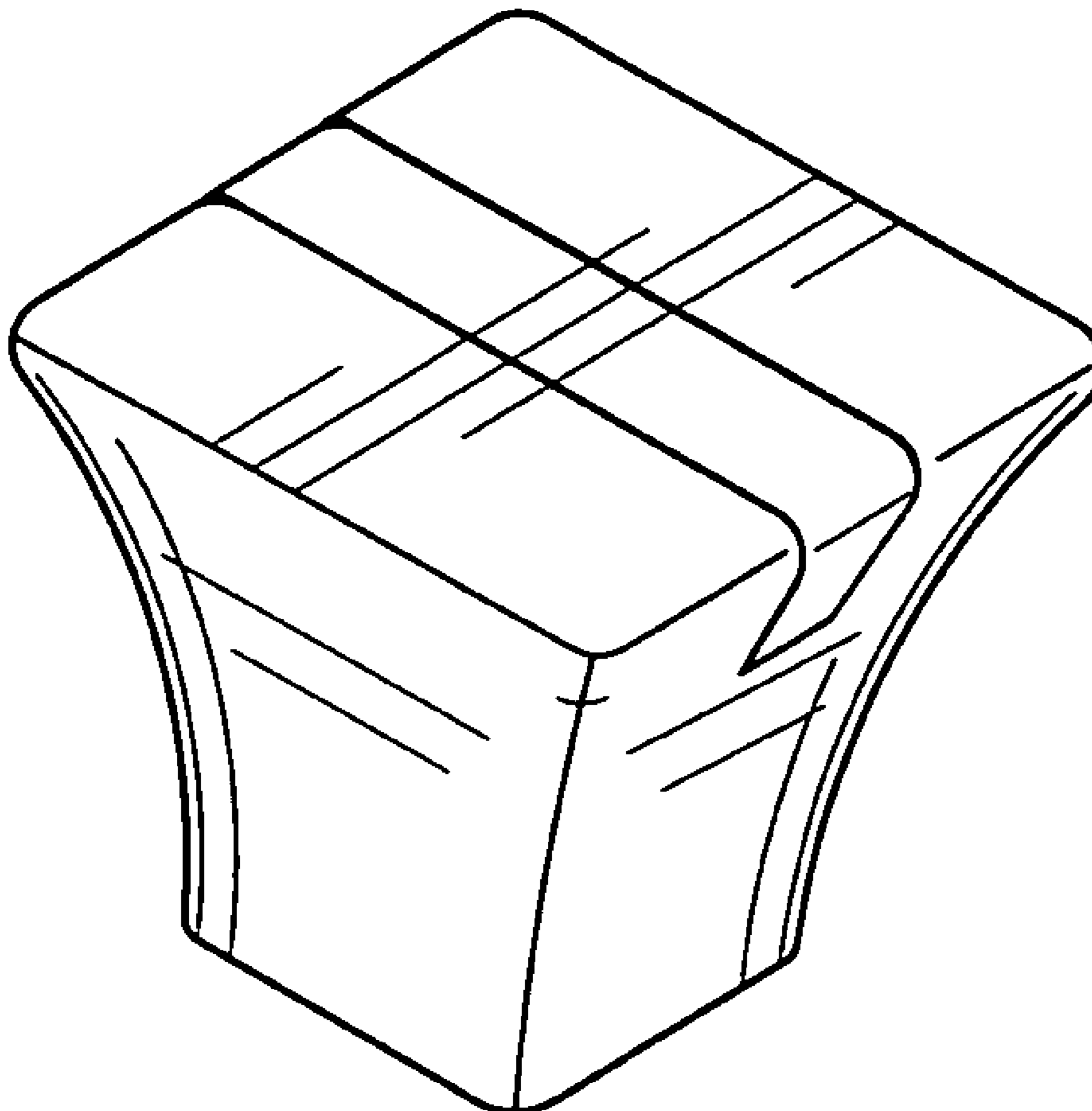
FIG. 3 is a first side view thereof;

FIG. 4 is a second side view thereof;

FIG. 5 is a transverse cross-sectional view thereof; and,

FIG. 6 is a rear end view thereof.

1 Claim, 1 Drawing Sheet



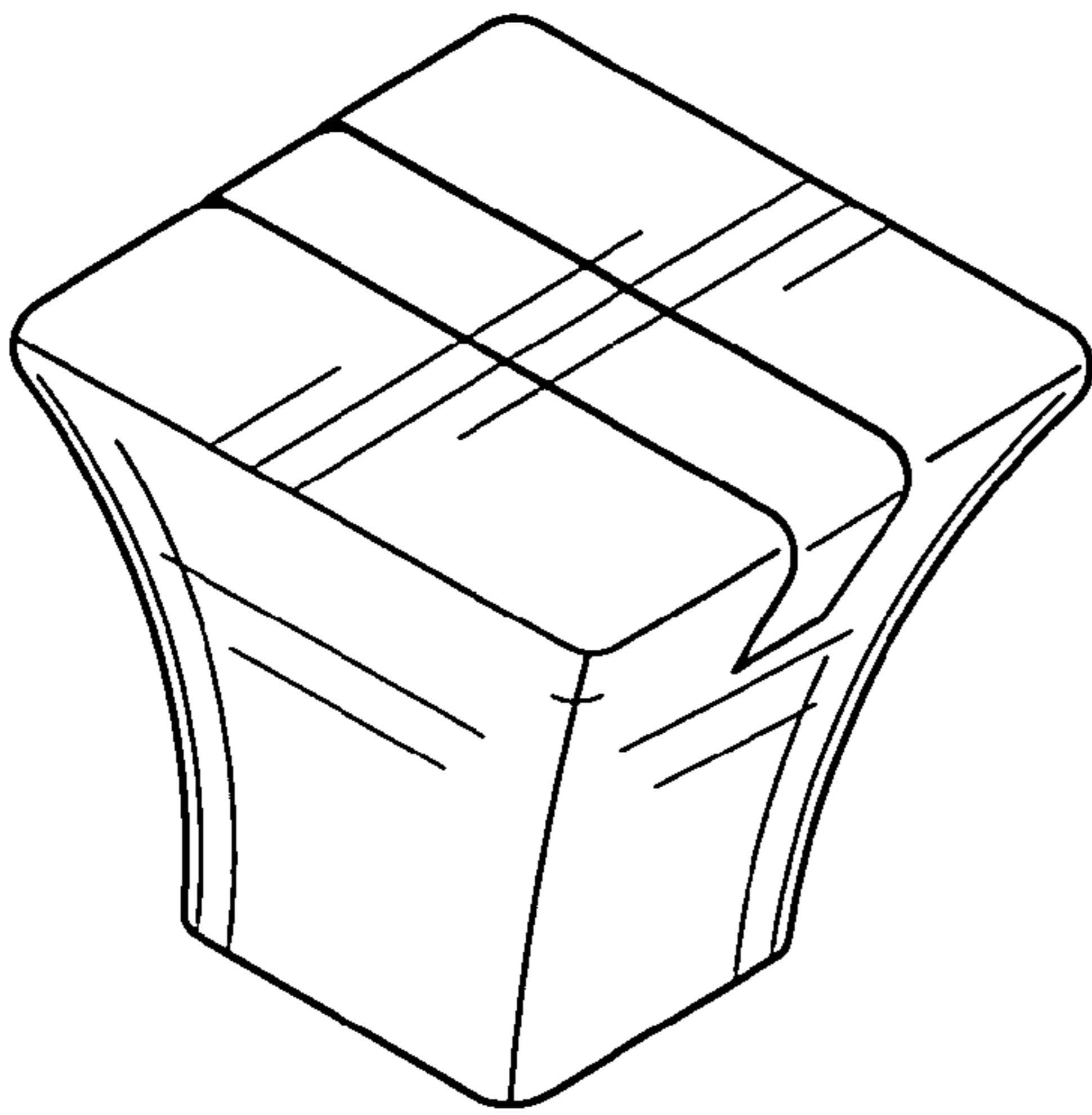


Fig-1

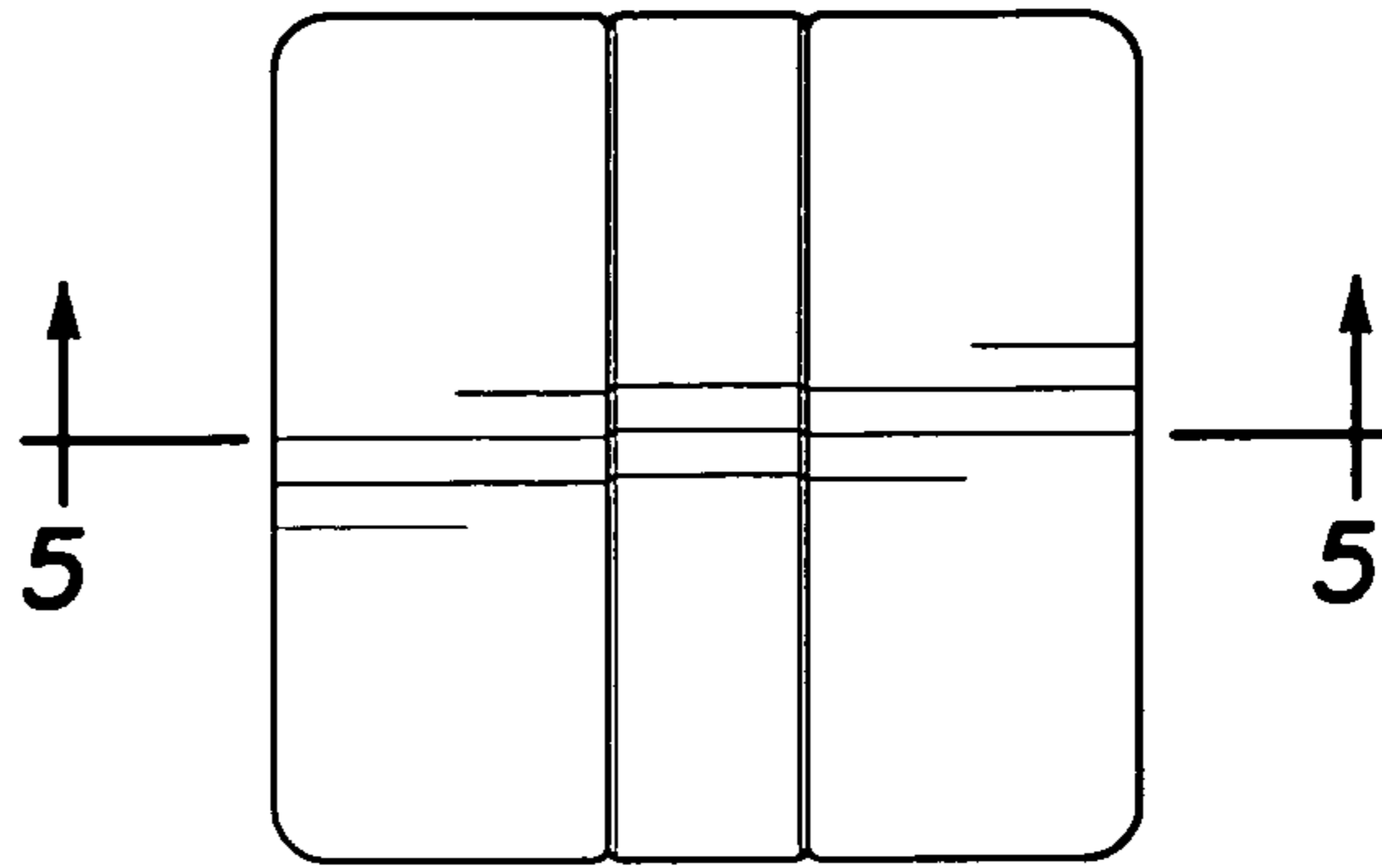


Fig-2

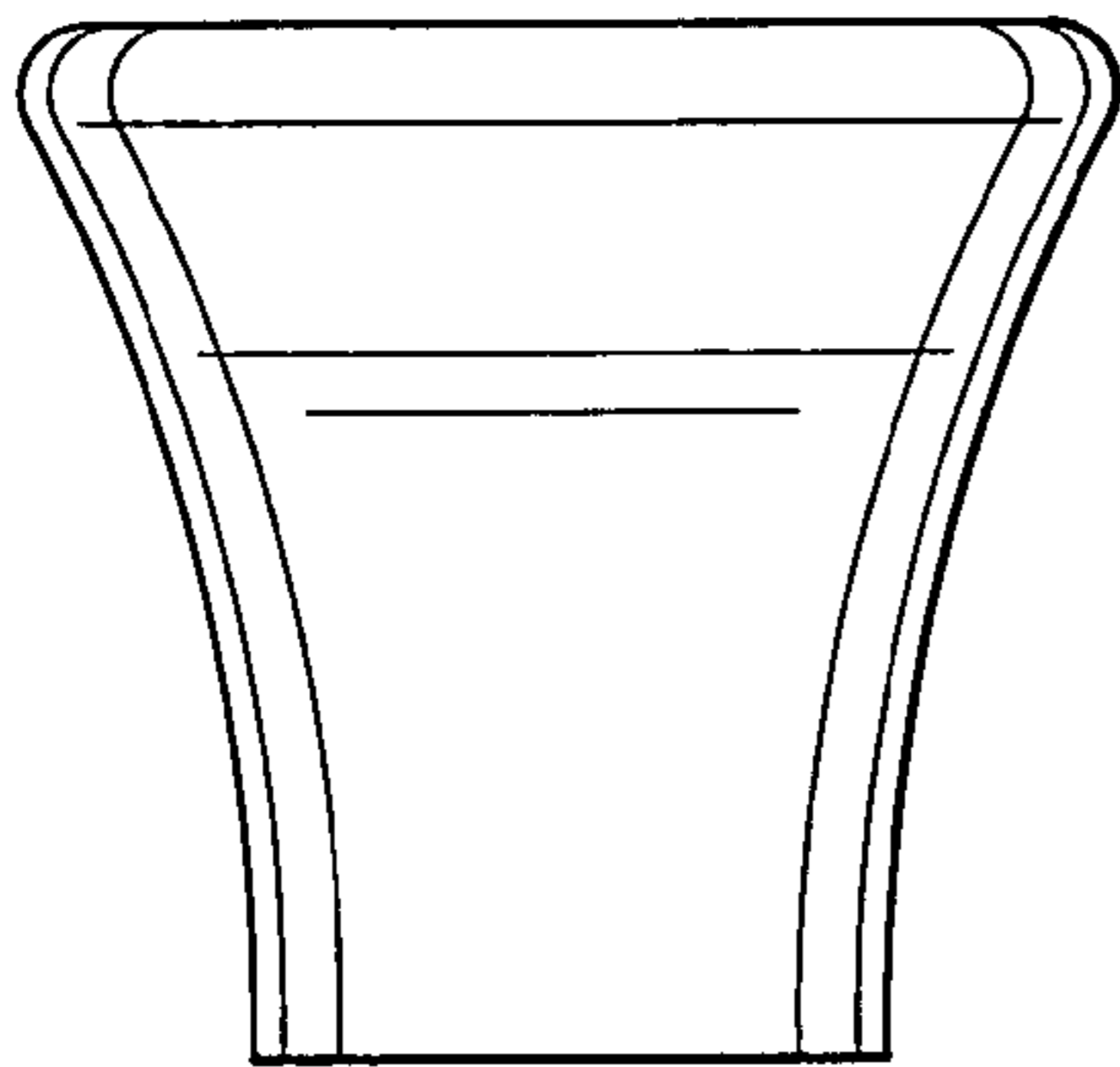


Fig-3

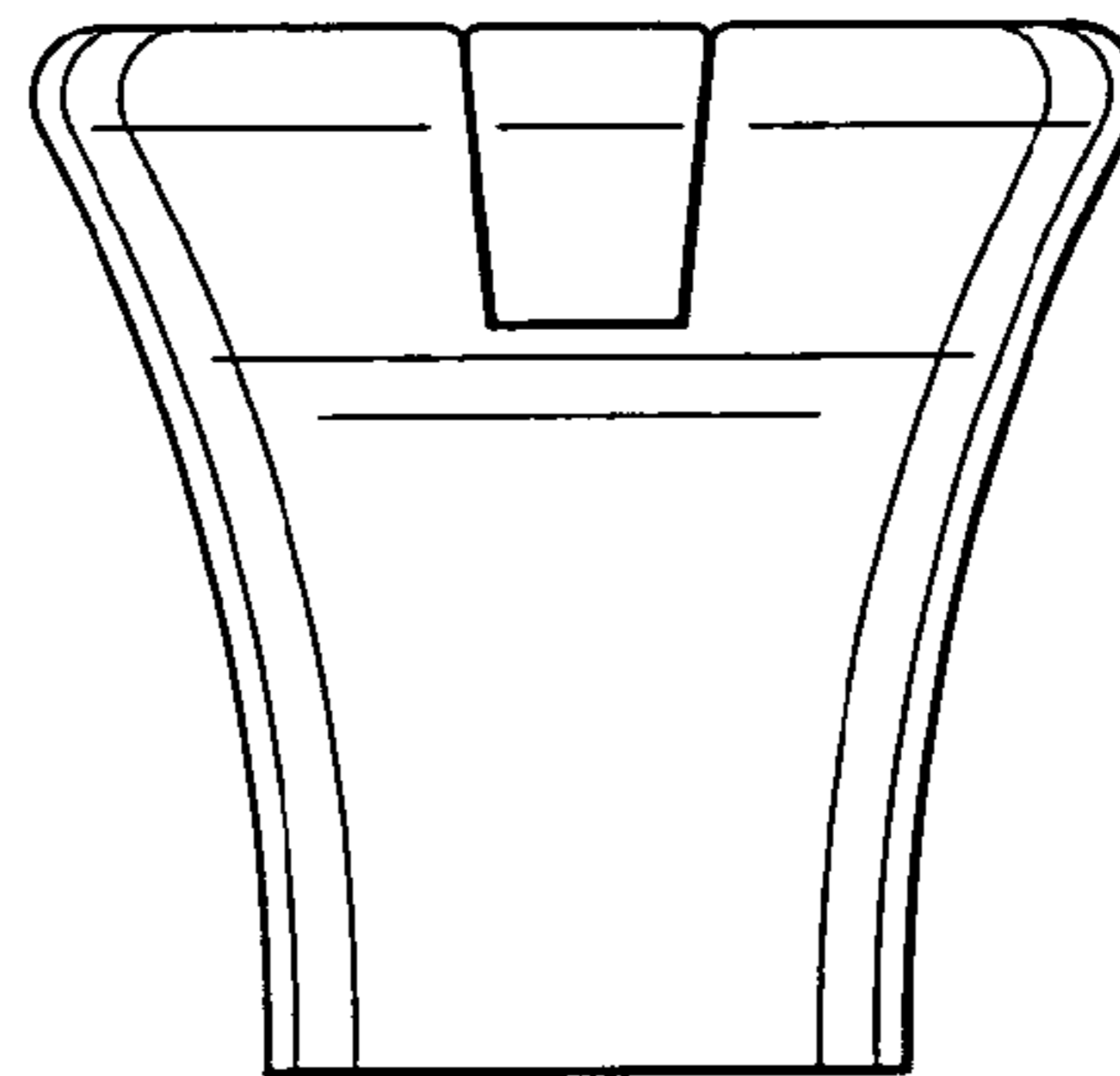


Fig-4

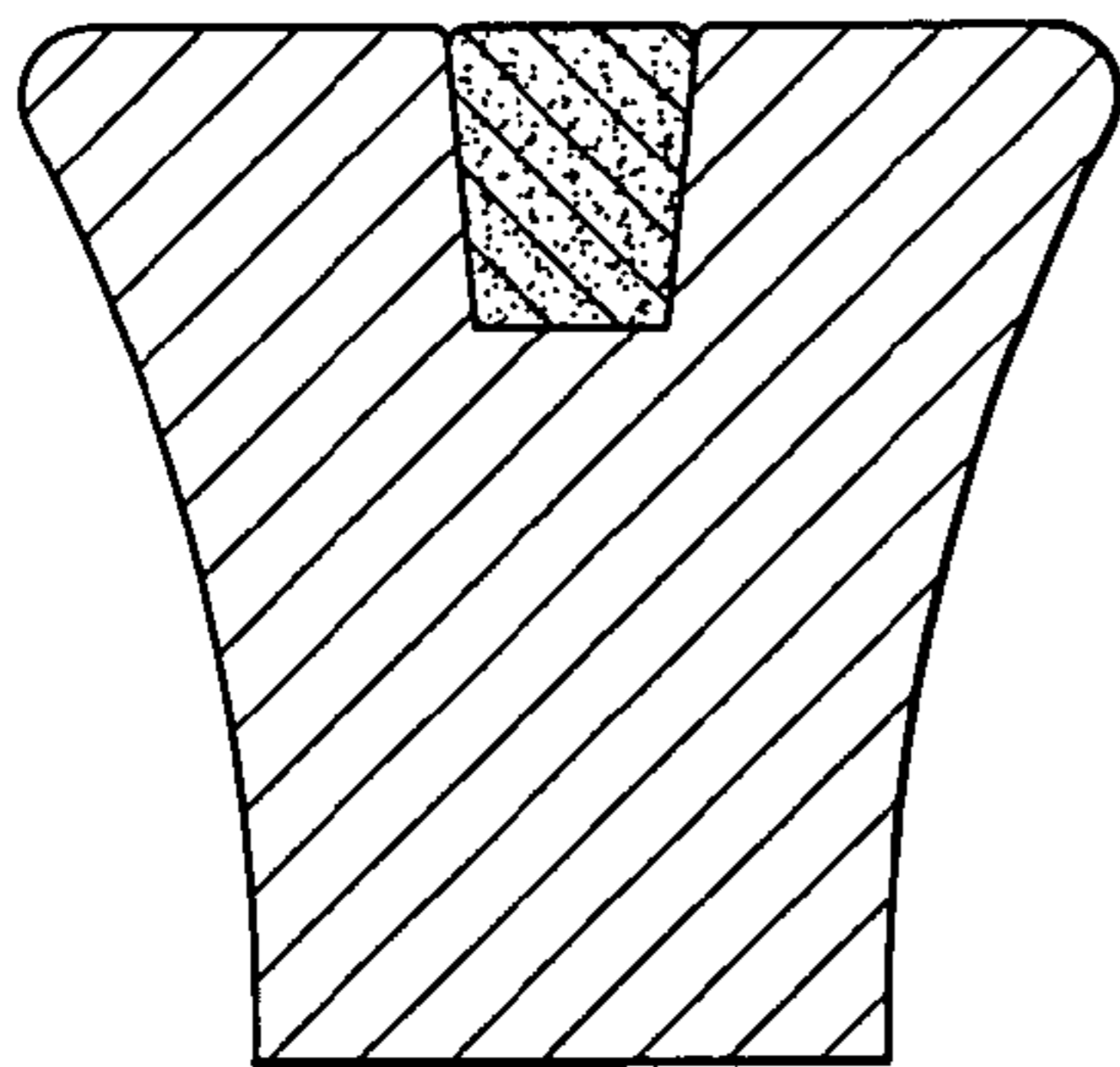


Fig-5

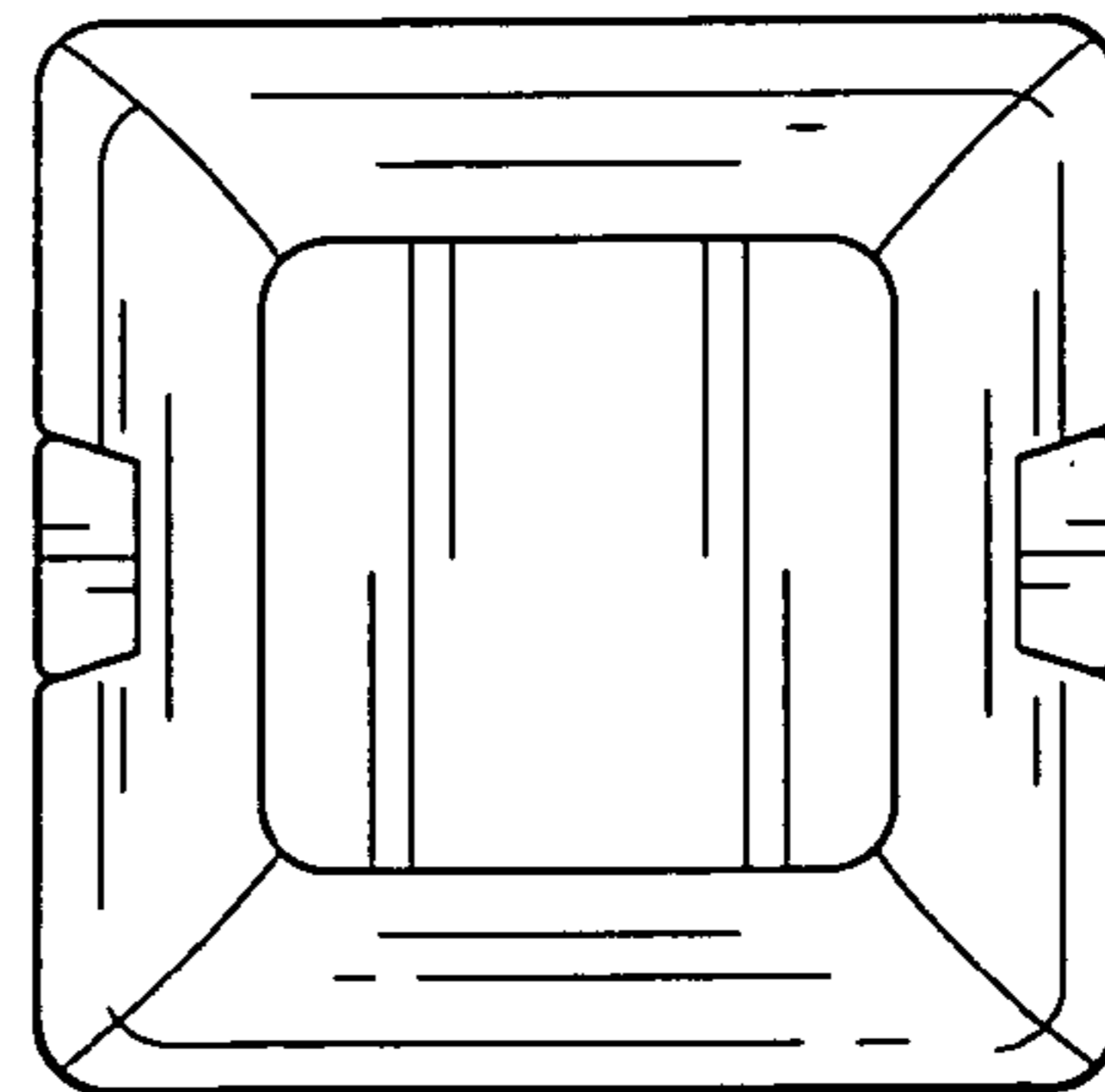


Fig-6