



US00D551926S

(12) **United States Design Patent**  
**McCartney**

(10) **Patent No.:** **US D551,926 S**

(45) **Date of Patent:** **\*\* Oct. 2, 2007**

(54) **LUG BOLT WRENCH WITH STEP PAD**

(76) Inventor: **Andrew McCartney**, 10643 Nassau Ave., Sunland, CA (US) 91040

(\*\*) Term: **14 Years**

(21) Appl. No.: **29/257,081**

(22) Filed: **Mar. 28, 2006**

(51) **LOC (8) Cl.** ..... **08-05**

(52) **U.S. Cl.** ..... **D8/26**

(58) **Field of Classification Search** ..... D8/17, D8/21-29, 81-87, 102-107, 98-99, 55, 93, D8/94; 81/60-63.2, 177.1, 177.85, 177.8, 81/489, 125.1, 121.1, 119-120, 176.1, 186, 81/177.9, 185.1, 176.2, 165, 170, 3.35, 58, 81/3.45, 155; 206/378; 16/429, 441, 124.6; 7/100, 138, 168, 157

See application file for complete search history.

(56) **References Cited**

**U.S. PATENT DOCUMENTS**

3,158,050	A *	11/1964	Shandel	.....	173/93
3,973,283	A *	8/1976	Boe	.....	7/100
4,291,425	A *	9/1981	Sweitzer	.....	7/100
4,537,101	A *	8/1985	Eversole	.....	81/180.1
4,625,600	A *	12/1986	Koren et al.	.....	81/462

D322,202	S *	12/1991	McIntyre	.....	D8/21
D362,876	S *	10/1995	Pedersen	.....	D21/597
D363,419	S *	10/1995	Dixon	.....	D8/25
5,613,411	A *	3/1997	Rines	.....	81/462
5,967,005	A *	10/1999	DeVore et al.	.....	81/462
6,769,333	B2 *	8/2004	Keady	.....	81/462

\* cited by examiner

*Primary Examiner*—Raphael Barkai  
*Assistant Examiner*—Randall H. Gholson  
(74) *Attorney, Agent, or Firm*—Cislo & Thomas LLP

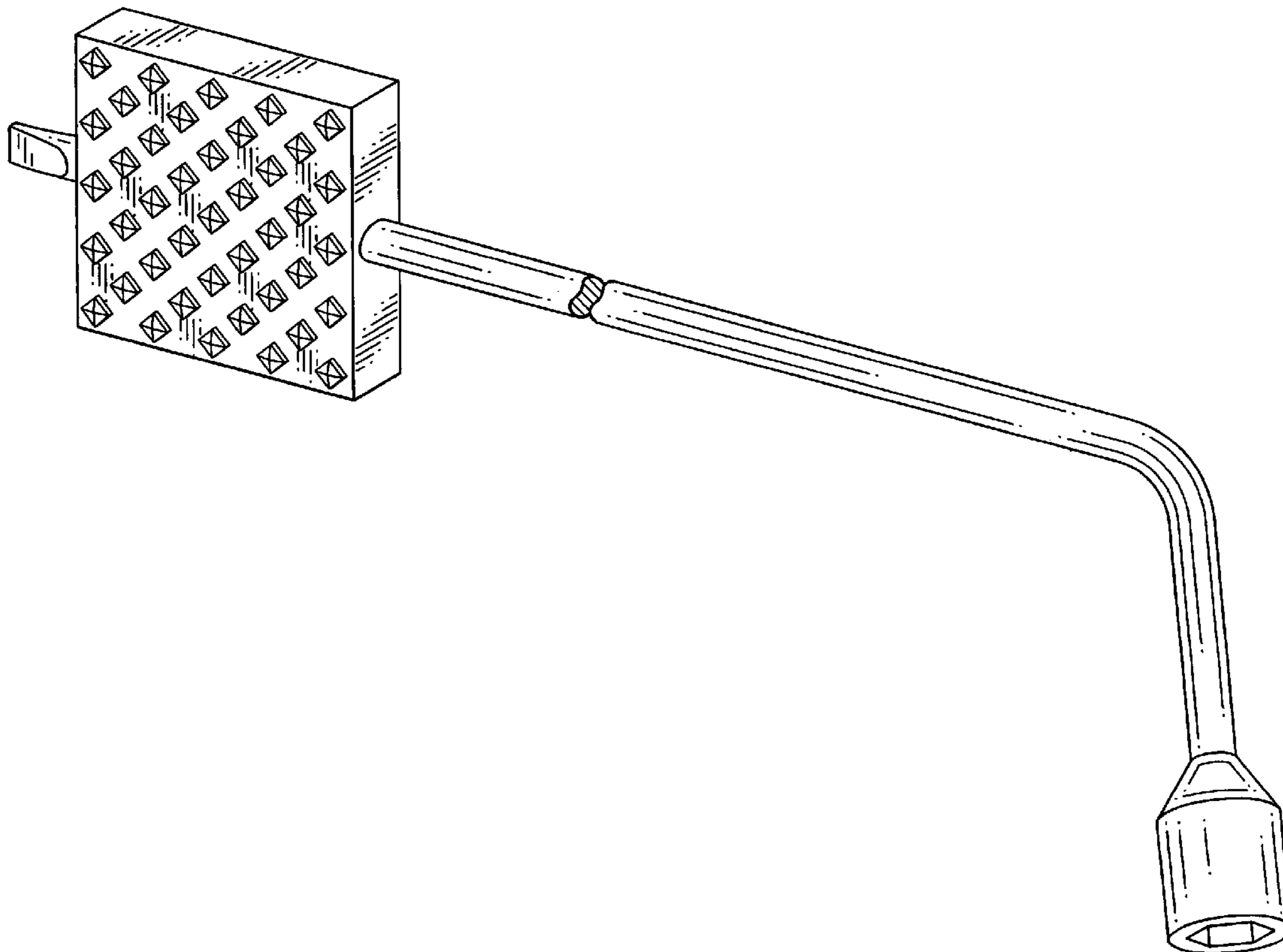
(57) **CLAIM**

The ornamental design for a lug bolt wrench with step pad, as shown and described.

**DESCRIPTION**

FIG. 1 is an isometric view of the lug bolt wrench with step pad showing my new design;  
FIG. 2 is a right side elevational view thereof;  
FIG. 3 is a left side elevational view thereof;  
FIG. 4 is a top plan view thereof;  
FIG. 5 is a front elevational view thereof with the rear elevational view being identical but reversed; and,  
FIG. 6 is a bottom plan view thereof.

**1 Claim, 2 Drawing Sheets**



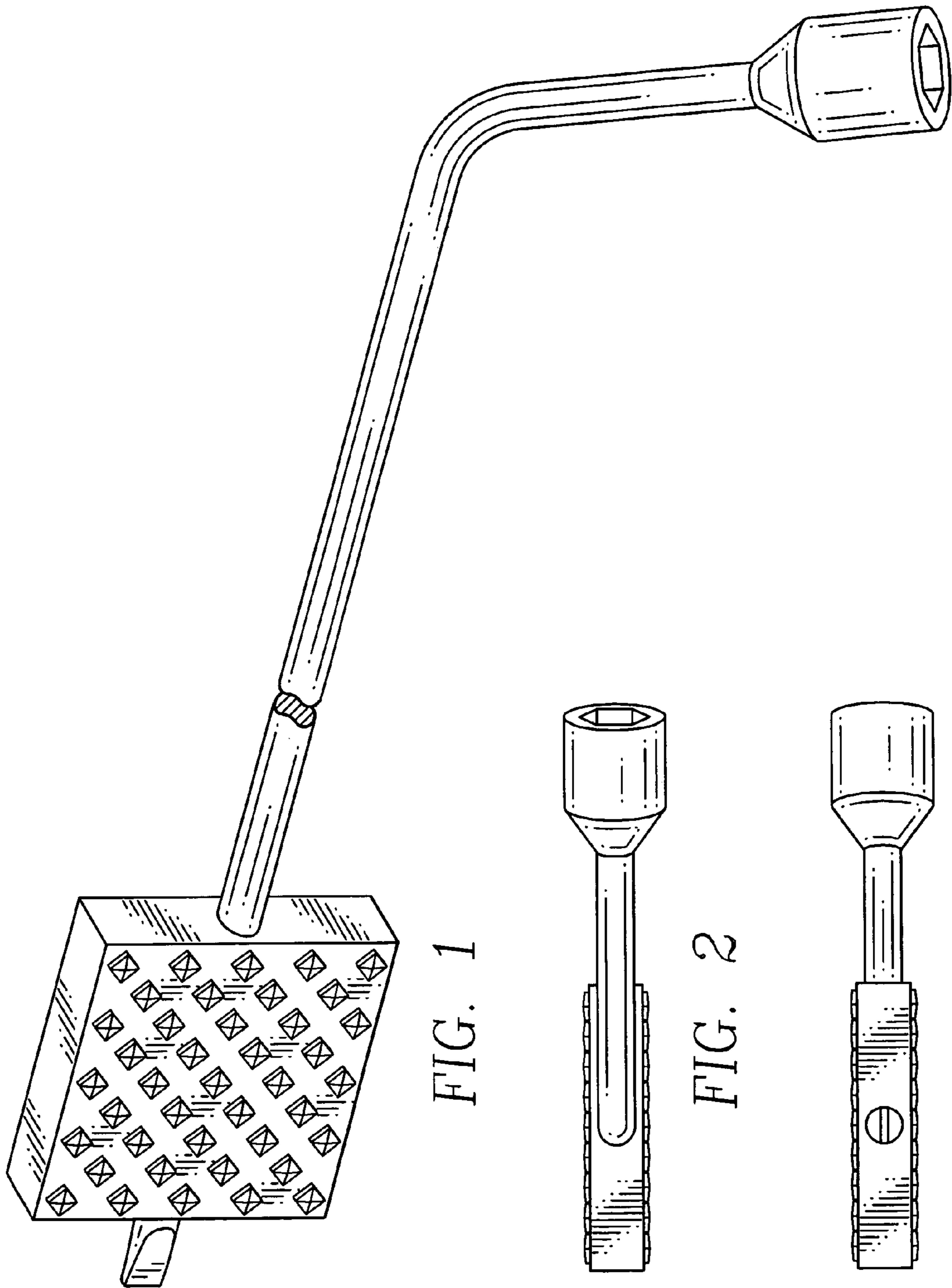


FIG. 1

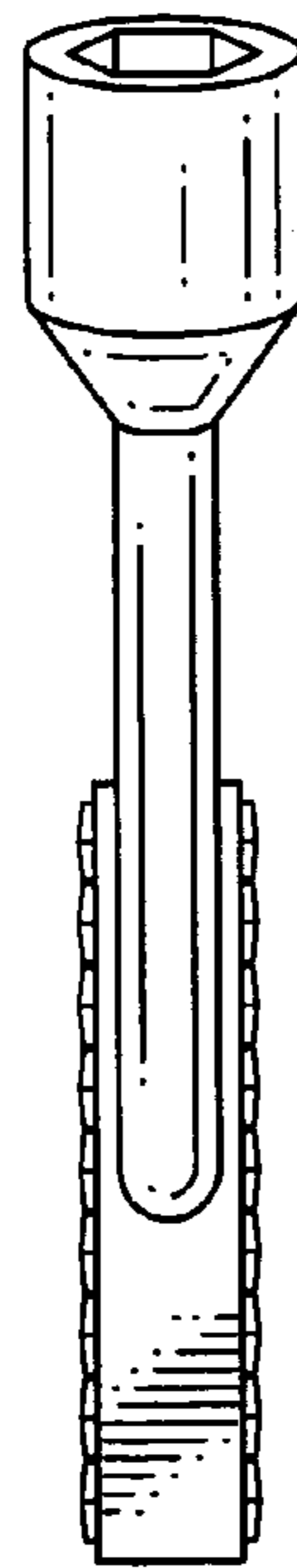


FIG. 2

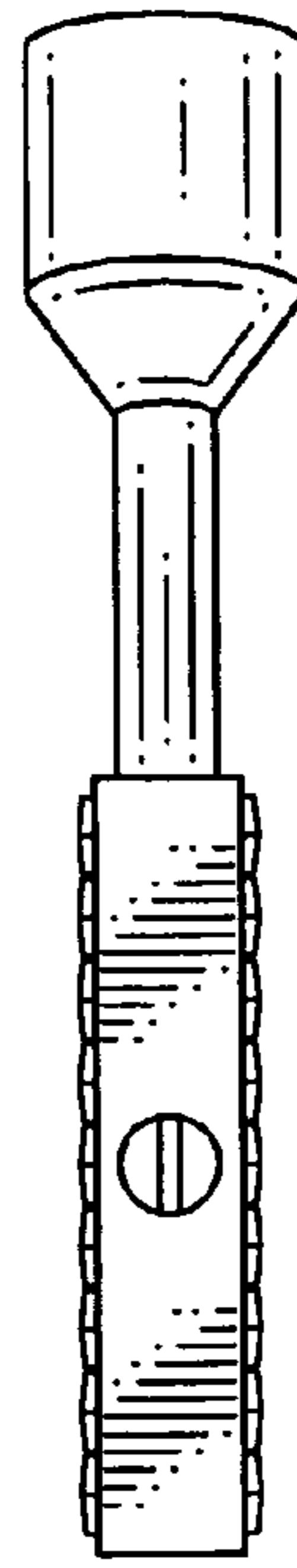


FIG. 3

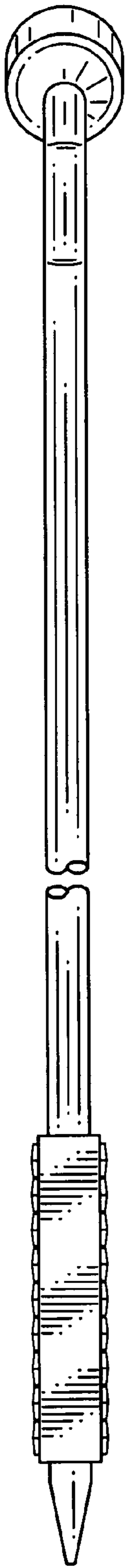


FIG. 4

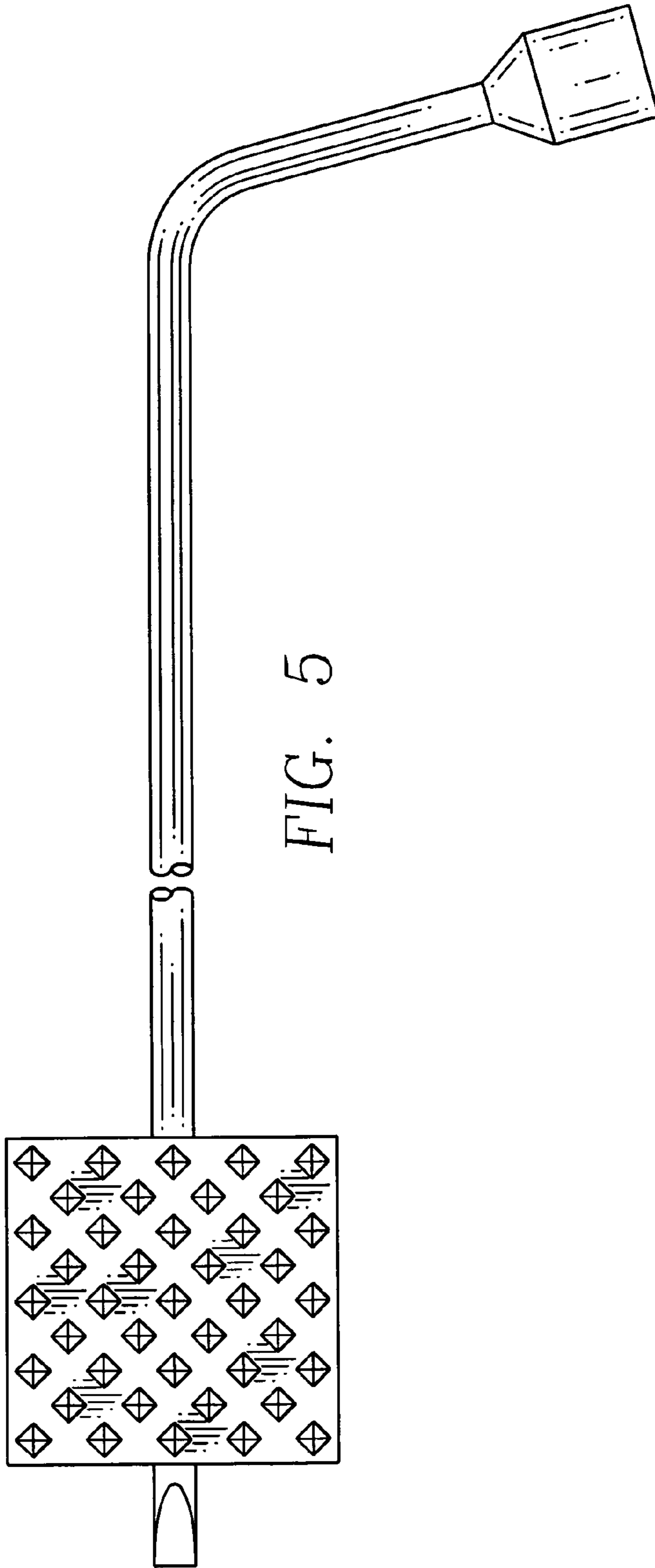


FIG. 5

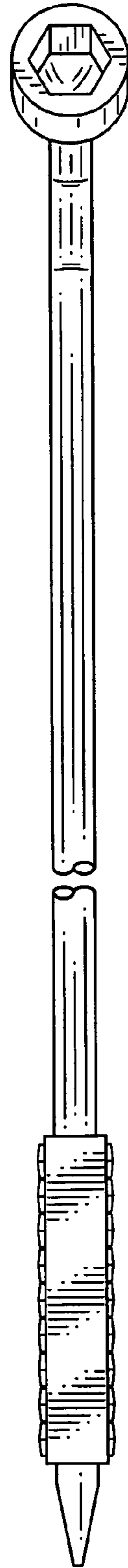


FIG. 6