



US00D551924S

(12) **United States Design Patent** (10) **Patent No.:** **US D551,924 S**
Tuan Mu (45) **Date of Patent:** **** Oct. 2, 2007**

(54) **GEAR OF A WRENCH** TW M271667 8/2005

(75) Inventor: **Hsien Chung Tuan Mu**, Taichung (TW)

(73) Assignee: **Lea Way Hand Tool Corporation**, Taichung (TW)

(**) Term: **14 Years**

(21) Appl. No.: **29/246,704**

(22) Filed: **May 4, 2006**

(51) **LOC (8) Cl.** **08-05**

(52) **U.S. Cl.** **D8/21; D8/25**

(58) **Field of Classification Search** D8/21-29, D8/81-87, 102-107, 98, 99, 55, 93, 94; 81/60-63.2, 81/177.1, 177.85, 177.8, 489, 125.1, 121.1, 81/119-120, 176.1, 186, 177.9, 185.1, 176.2, 81/165, 170, 3.35, 58.3, 3.45, 155; 206/378; 16/429, 441, 124.6; 7/100, 138, 168, 157
See application file for complete search history.

(56) **References Cited**

U.S. PATENT DOCUMENTS

4,840,094	A *	6/1989	Macor	81/185
5,499,560	A *	3/1996	Aeschliman	81/63.2
6,644,148	B2 *	11/2003	Hu	81/63.2
D498,775	S *	11/2004	Hu	D15/148
D498,778	S *	11/2004	Hu	D15/148
6,868,759	B2 *	3/2005	Tuan-Mu	81/63.2
7,032,478	B2 *	4/2006	Hu	81/63.2
7,073,412	B1 *	7/2006	Arnold	81/63.2
2001/0054531	A1 *	12/2001	Chang	192/46
2005/0145076	A1 *	7/2005	Tuan-Mu	81/63.2

FOREIGN PATENT DOCUMENTS

TW 200526374 8/2005

OTHER PUBLICATIONS

TradeWinds. Manufacturers' Association. Taiwan Hand Tools. Buyers' Guide 2001. www.handtoolsb2b.com. Internet printout. 1 pg. ISO 9002 Certificate No. FM 30765. Lea Way Hand Tool Corporation, No. 288, Hou Tswang Road, Pei Twen District, Taichung, Taiwan. Tel: 866-4-24262788 Fax: 866-4-24262577. 24264562. E-mail: leaway@tcts.seed.net.tw. Internet printout. 1 pg. Lighting Socket Set & 4 In 1 Tools. Nedful Products Co., Ltd. 1F No. 260, Sec1.Li-Soon Rd., 406 Taichung, Taiwan, Tel: 886-4-22463067 Fax: 886-4-22463069. E-Mail: nedful@ms183.hinet.net. http://www.nedful-tools.com.tw. Internet printout. 1 pg.

* cited by examiner

Primary Examiner—Raphael Barkai

Assistant Examiner—Randall H Gholson

(74) *Attorney, Agent, or Firm*—Grossman, Tucker, Perreault, & Pflieger, PLLC

(57) **CLAIM**

The ornamental design for a gear of a wrench, as shown and described.

DESCRIPTION

FIG. 1 is a perspective view of a gear of a wrench showing the claimed design;

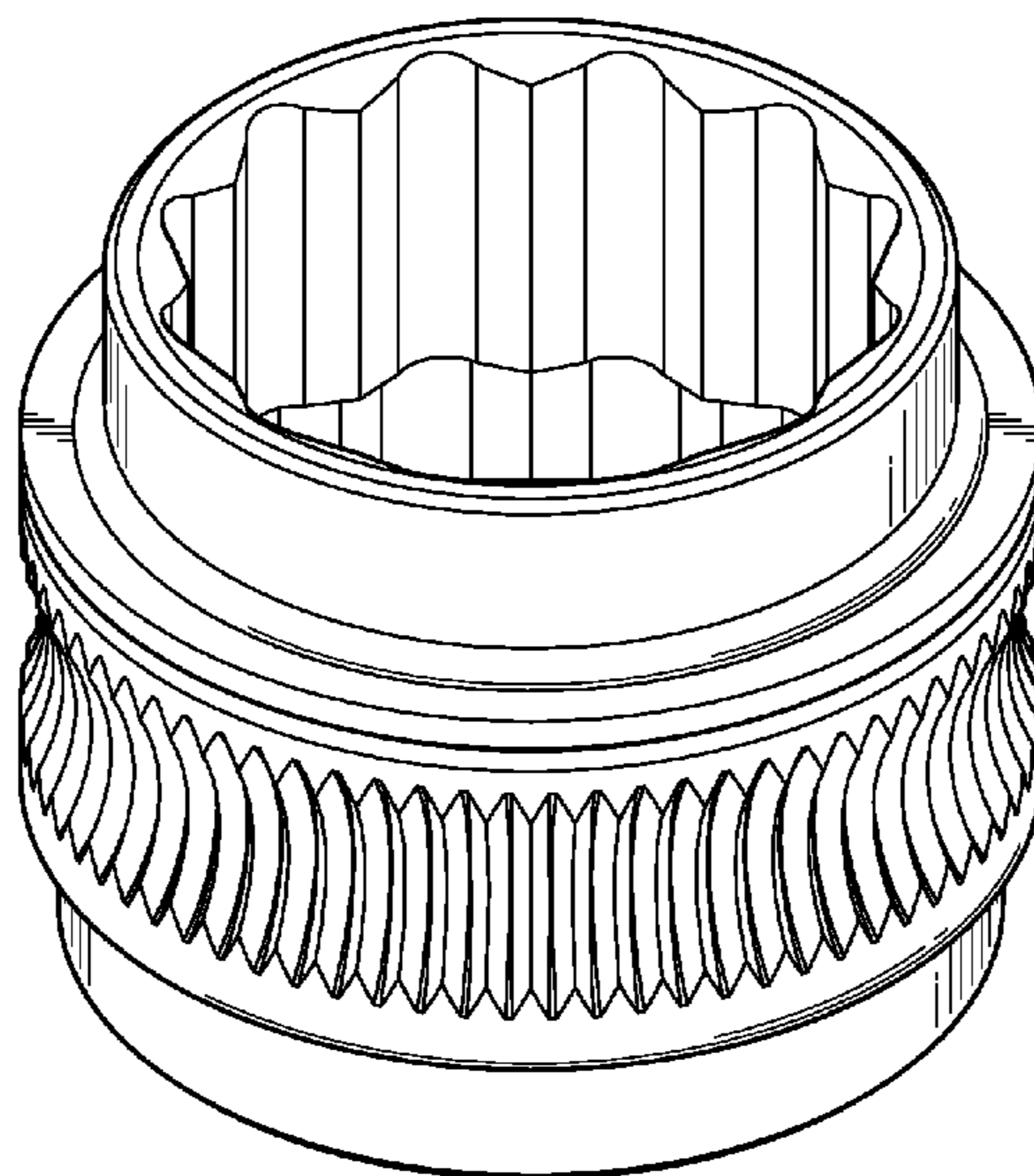
FIG. 2 is a front elevational view thereof; the rear, right and left elevational views being identical with the front elevational view;

FIG. 3 is a top plan view thereof;

FIG. 4 is a bottom plan view thereof; and,

FIG. 5 is a cross-section perspective view showing the interior contours thereof.

1 Claim, 4 Drawing Sheets



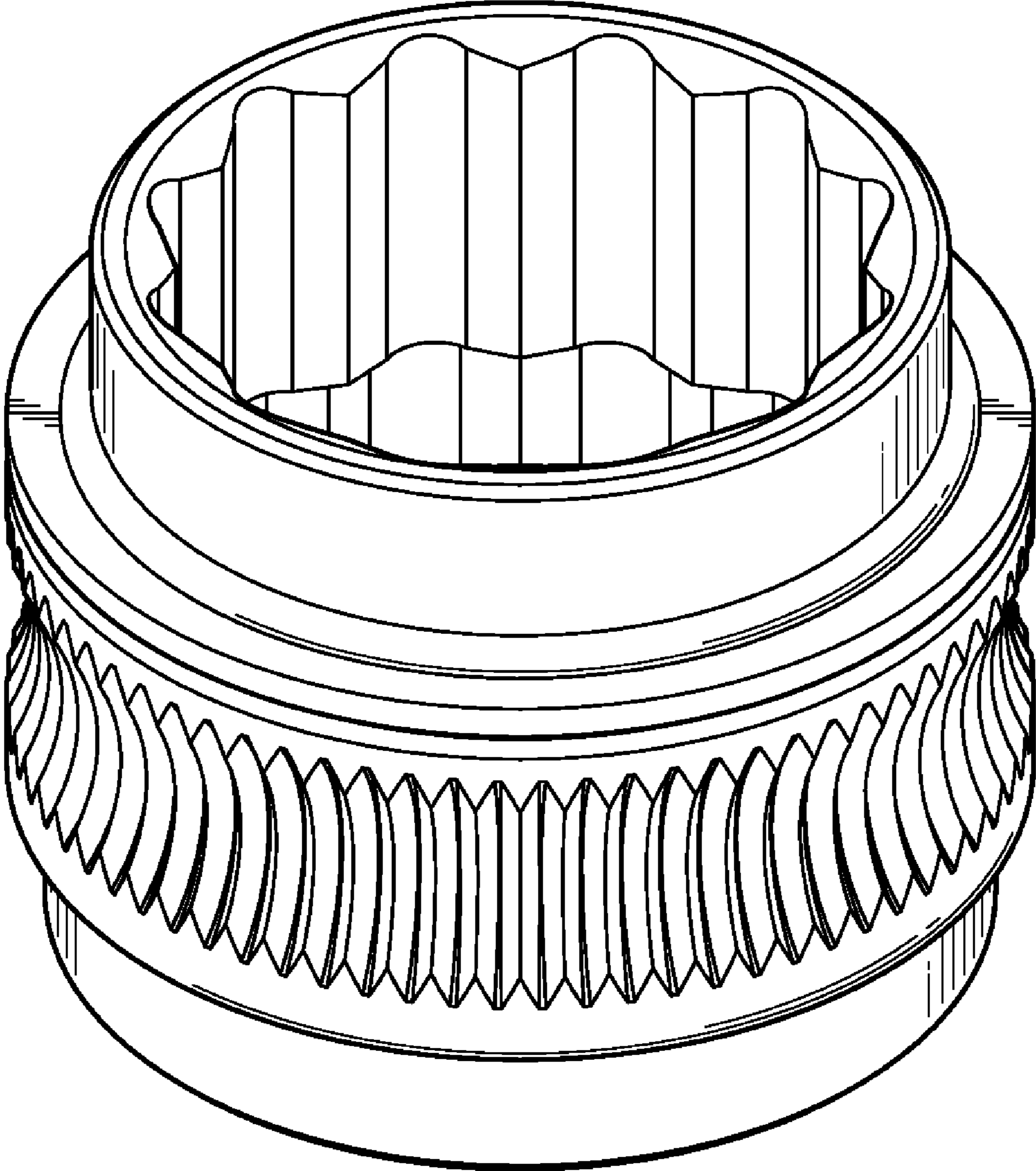


FIG. 1

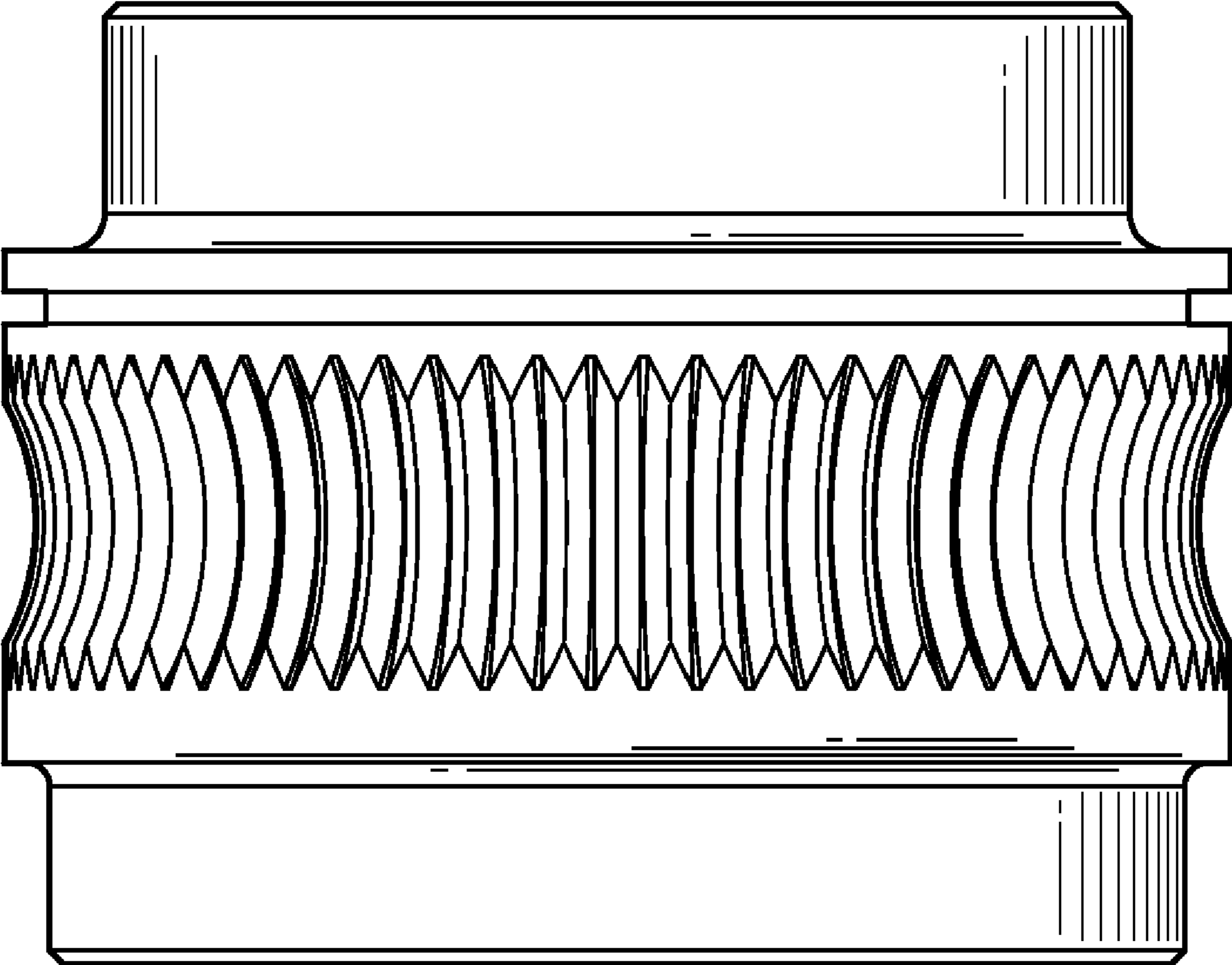


FIG.2

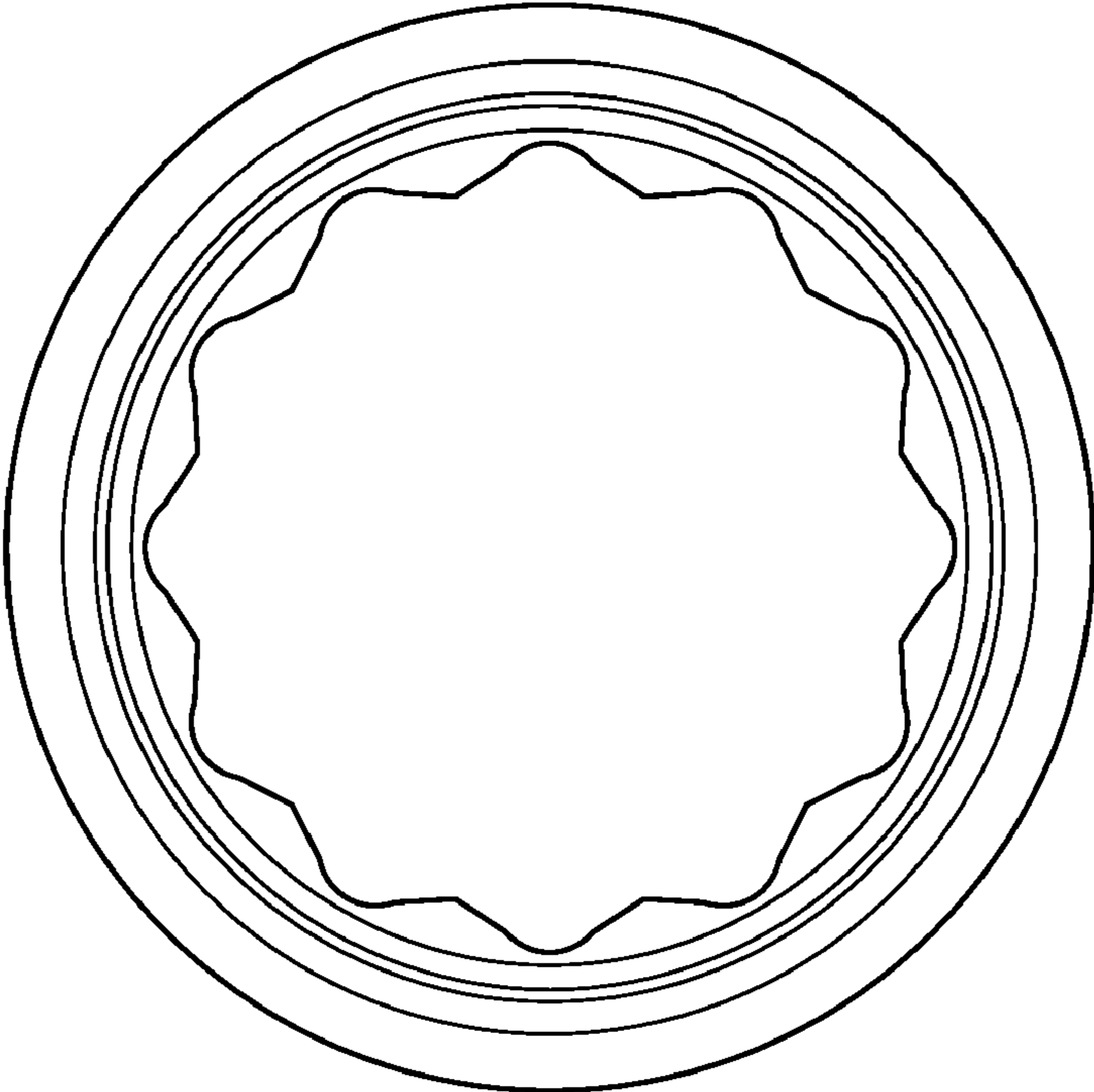


FIG.3

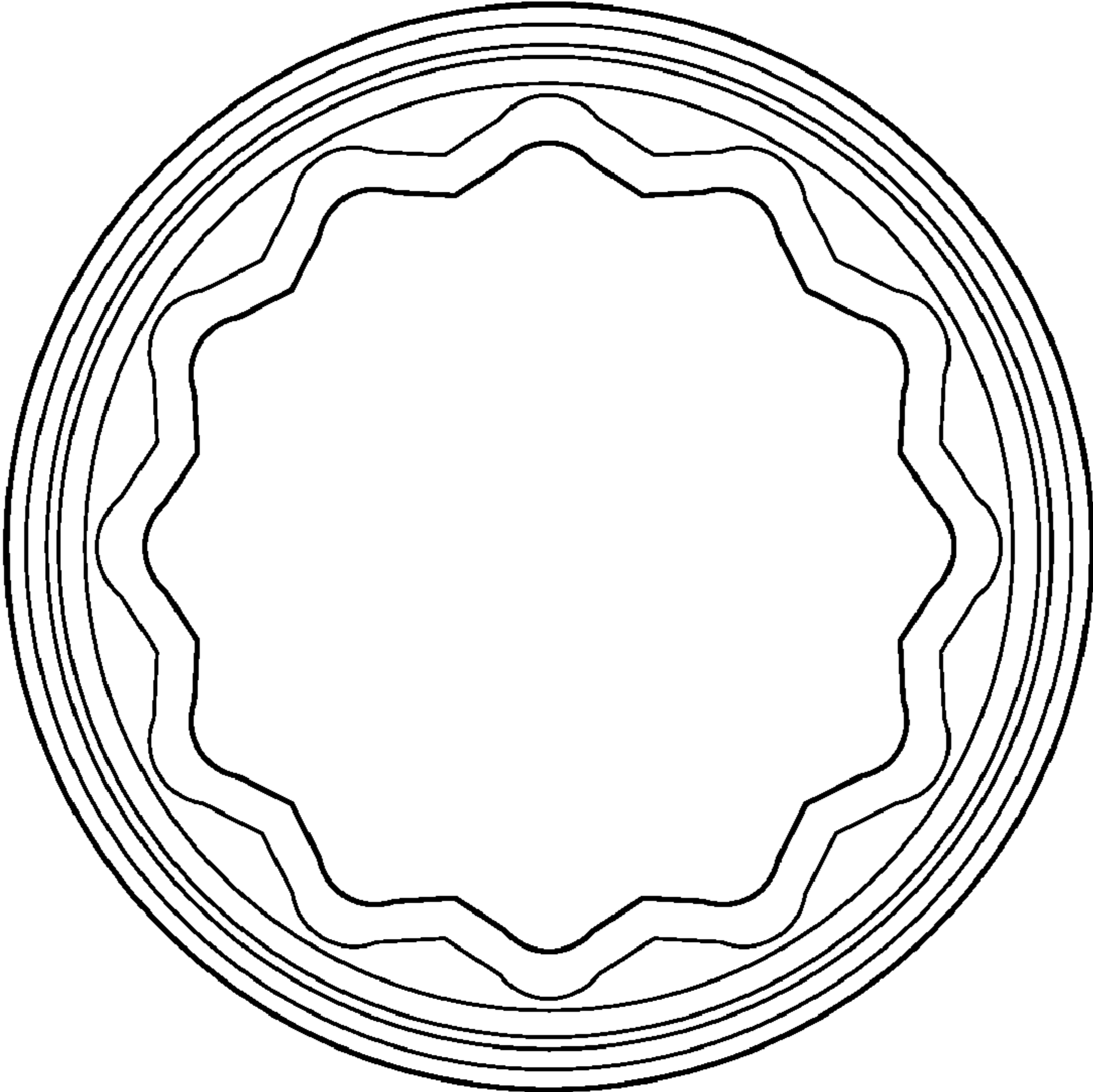


FIG.4

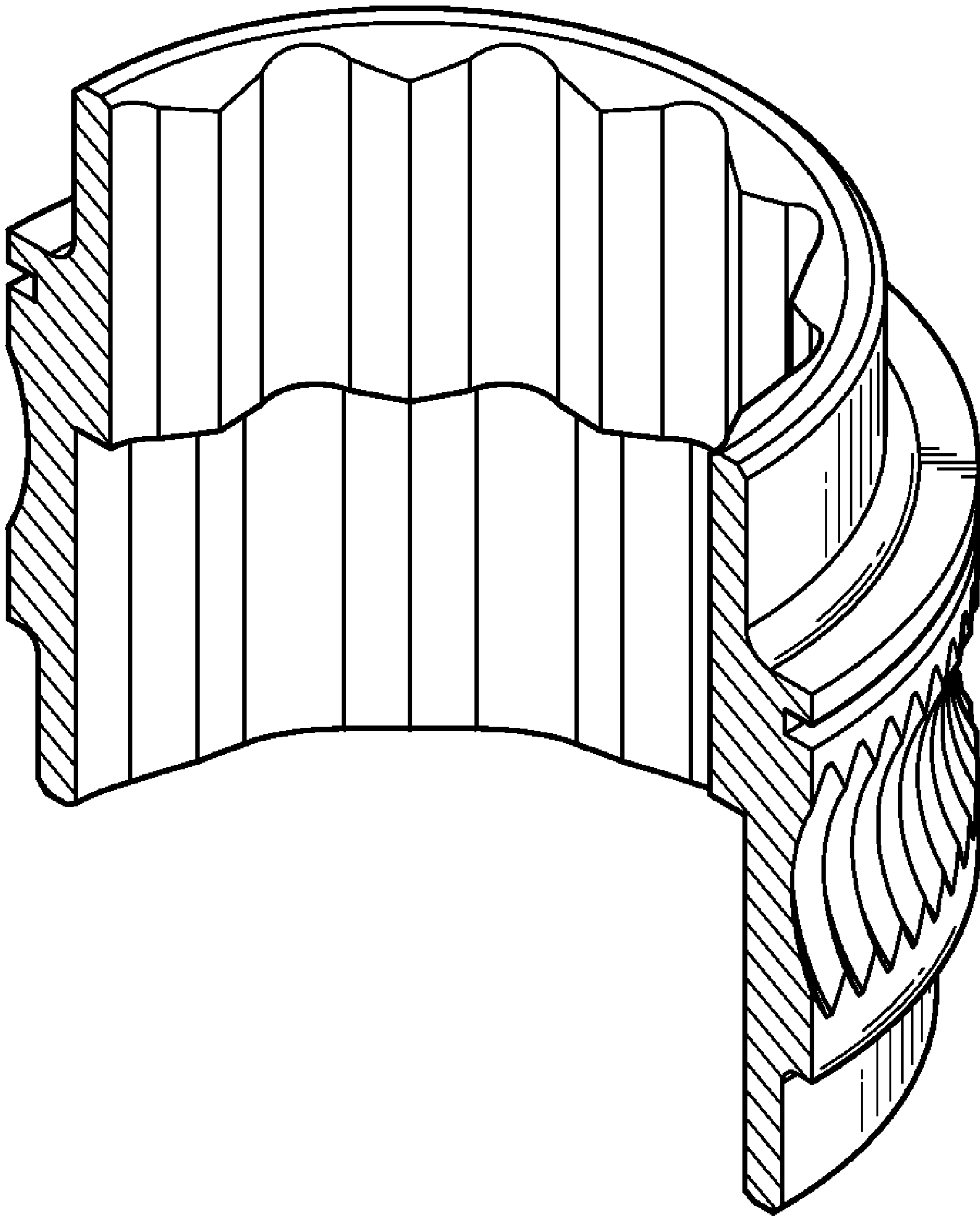


FIG. 5