



US00D551921S

(12) **United States Design Patent**  
**Houghton**

(10) **Patent No.:** **US D551,921 S**

(45) **Date of Patent:** **\*\* Oct. 2, 2007**

(54) **STRING TRIMMER**

(75) Inventor: **Stephen Houghton**, Newcastle Upon Tyne (GB)

(73) Assignee: **Black & Decker Inc.**, Newark, DE (US)

(\*\*) Term: **14 Years**

(21) Appl. No.: **29/240,295**

(22) Filed: **Oct. 11, 2005**

(30) **Foreign Application Priority Data**

May 17, 2005 (EM) ..... 000340385-0001

(51) **LOC (8) Cl.** ..... **08-01**

(52) **U.S. Cl.** ..... **D8/8**

(58) **Field of Classification Search** ..... D8/7,  
D8/8, 14; 56/12.7; 30/276  
See application file for complete search history.

(56) **References Cited**

**U.S. PATENT DOCUMENTS**

4,651,422 A \* 3/1987 Everts ..... 30/347  
D463,722 S \* 10/2002 Robson ..... D8/8  
D473,114 S \* 4/2003 Van Wambeke et al. .... D8/8  
D479,677 S \* 9/2003 Van Wambeke et al. .... D8/8  
D479,962 S \* 9/2003 Van Wambeke et al. .... D8/8  
D481,596 S \* 11/2003 Van Wambeke et al. .... D8/8  
7,134,208 B2 \* 11/2006 Wilkinson et al. .... 30/276

\* cited by examiner

*Primary Examiner*—Holly H. Baynharm

*Assistant Examiner*—Sheryl Friedman

(74) *Attorney, Agent, or Firm*—John Yun; Bruce S. Shapiro; Wesley Muller

(57) **CLAIM**

The ornamental design for a string trimmer, as shown and described.

**DESCRIPTION**

FIG. 1 is a perspective view of a string trimmer showing my new design.

FIG. 2 is a left side view of a string trimmer according to FIG. 1.

FIG. 3 is a right side view of a string trimmer according to FIG. 1.

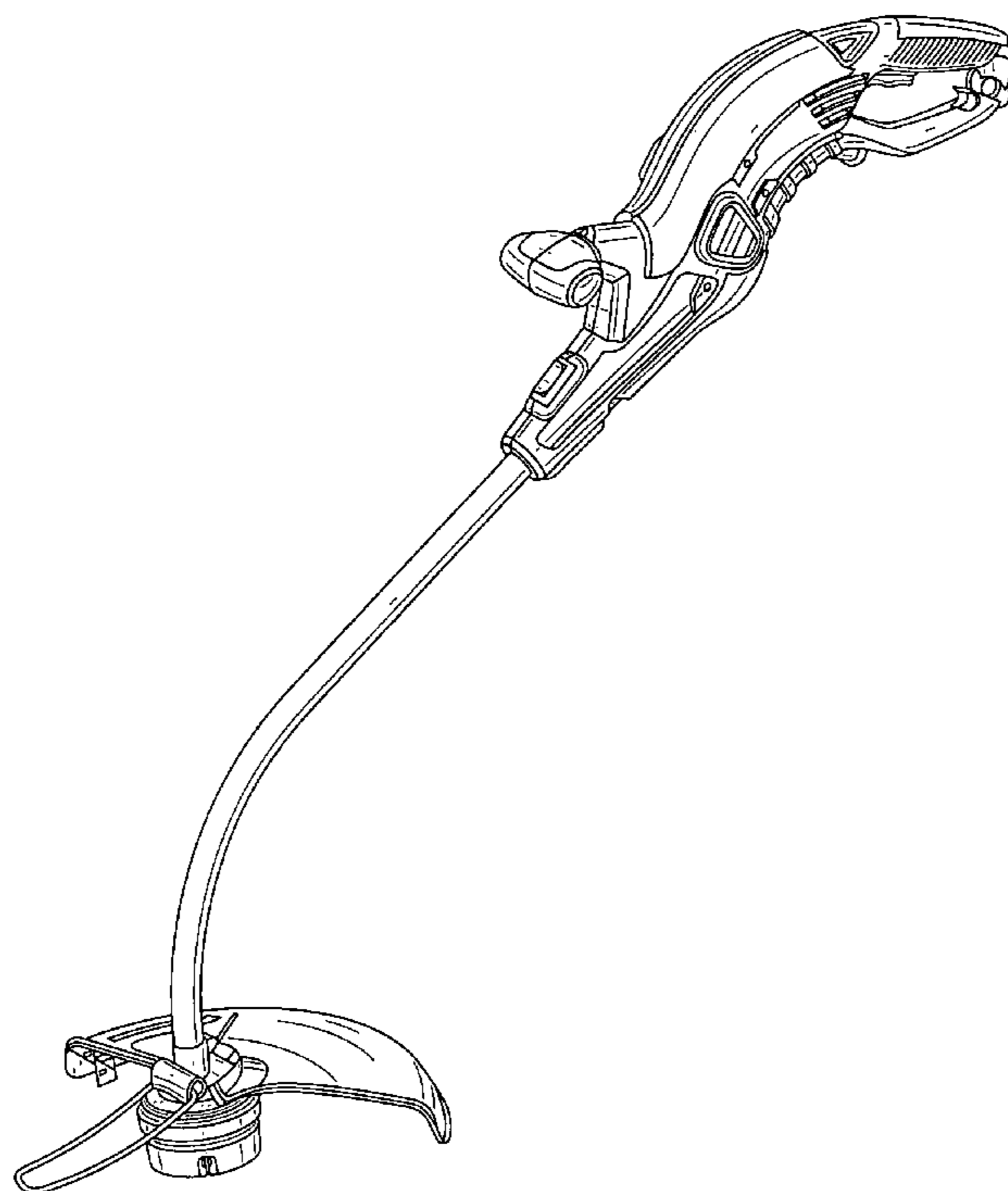
FIG. 4 is a top view of a string trimmer according to FIG. 1.

FIG. 5 is a bottom view of a string trimmer according to FIG. 1.

FIG. 6 is a front view of a string trimmer according to FIG. 1; and,

FIG. 7 is a rear view of a string trimmer according to FIG. 1.

**1 Claim, 6 Drawing Sheets**



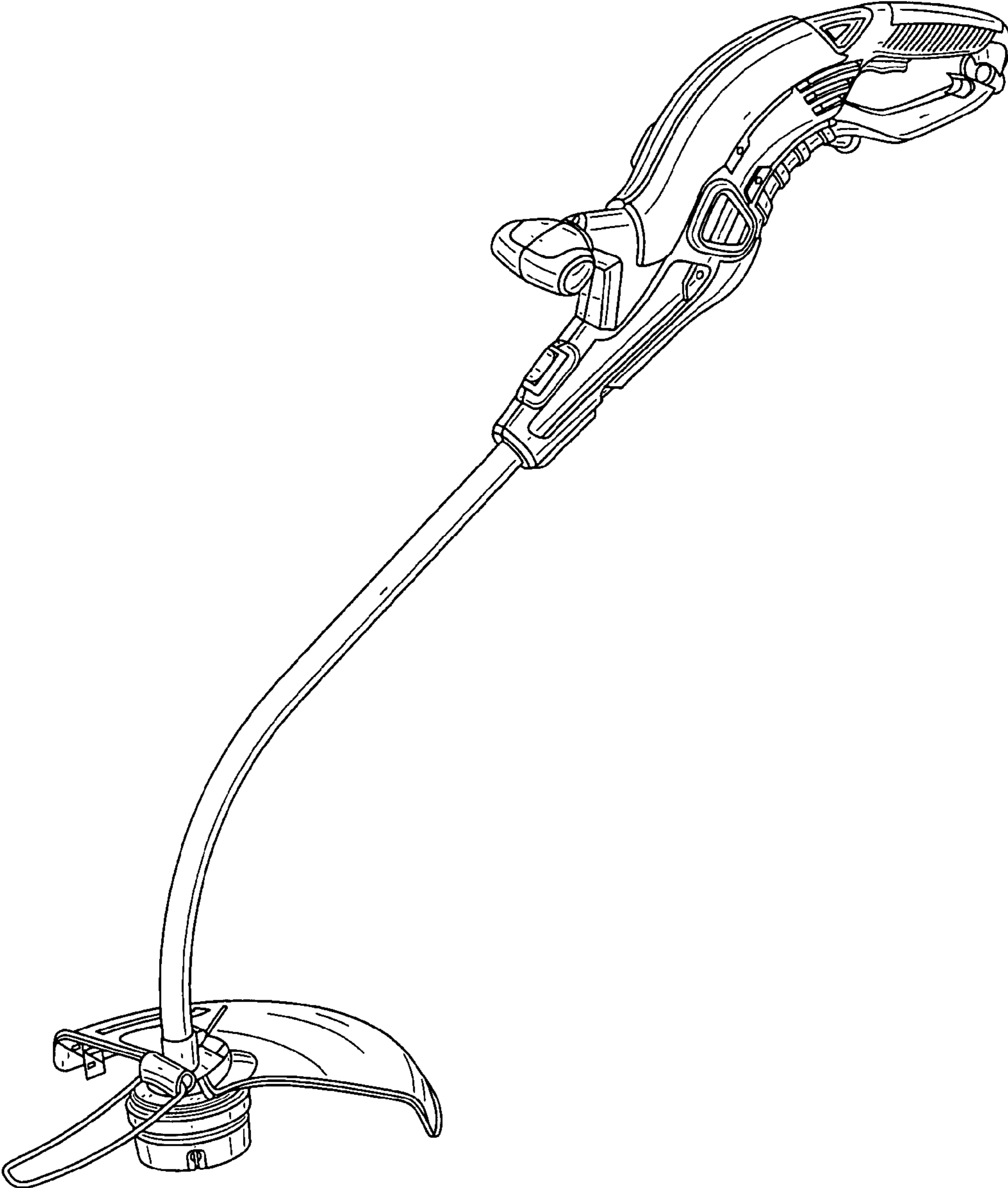


FIG. 1

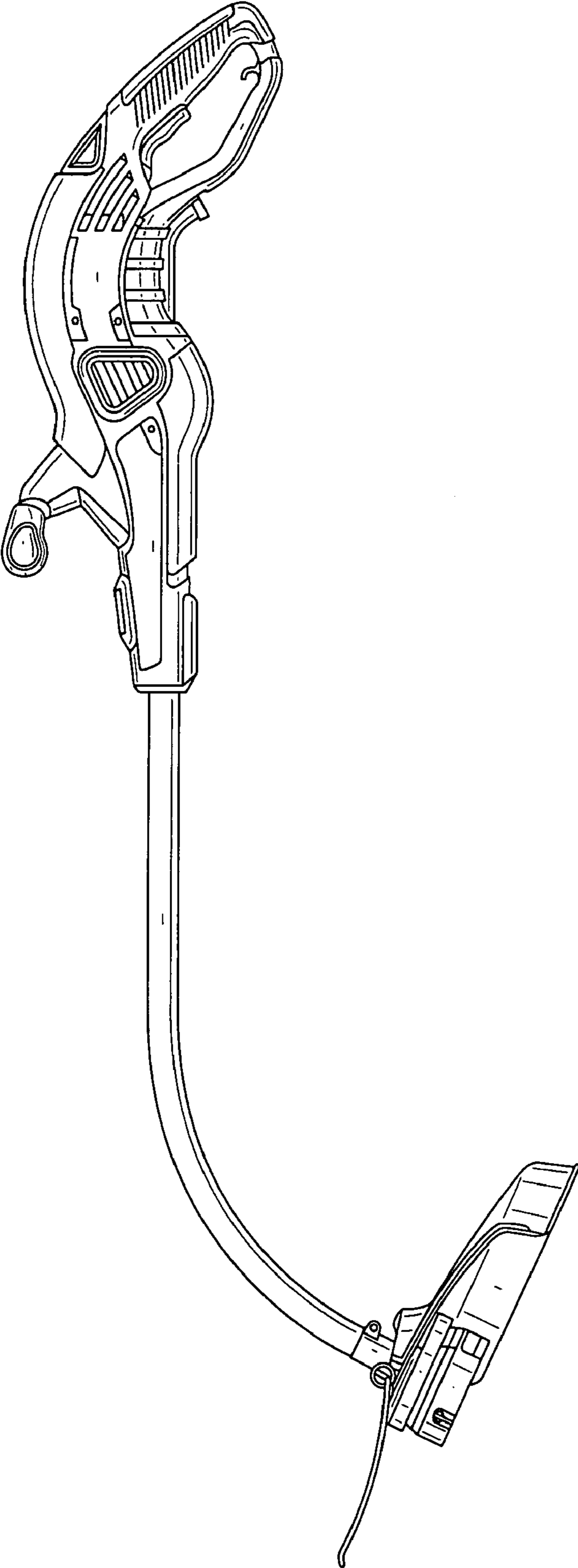


FIG. 2

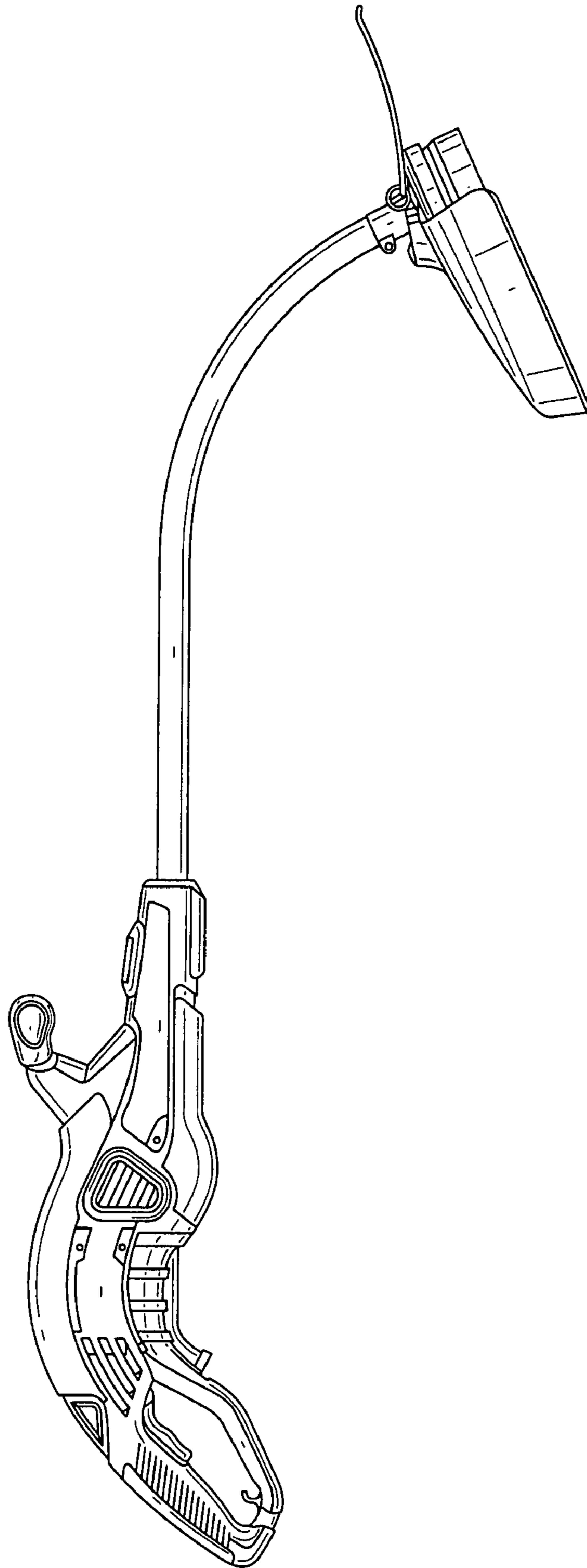


FIG. 3

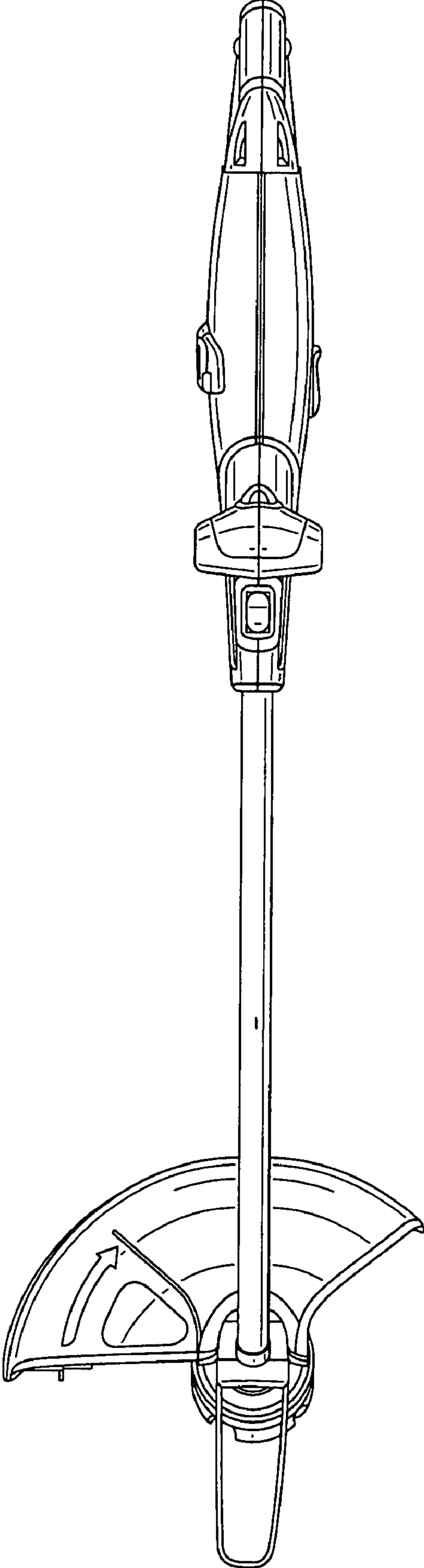


FIG. 4

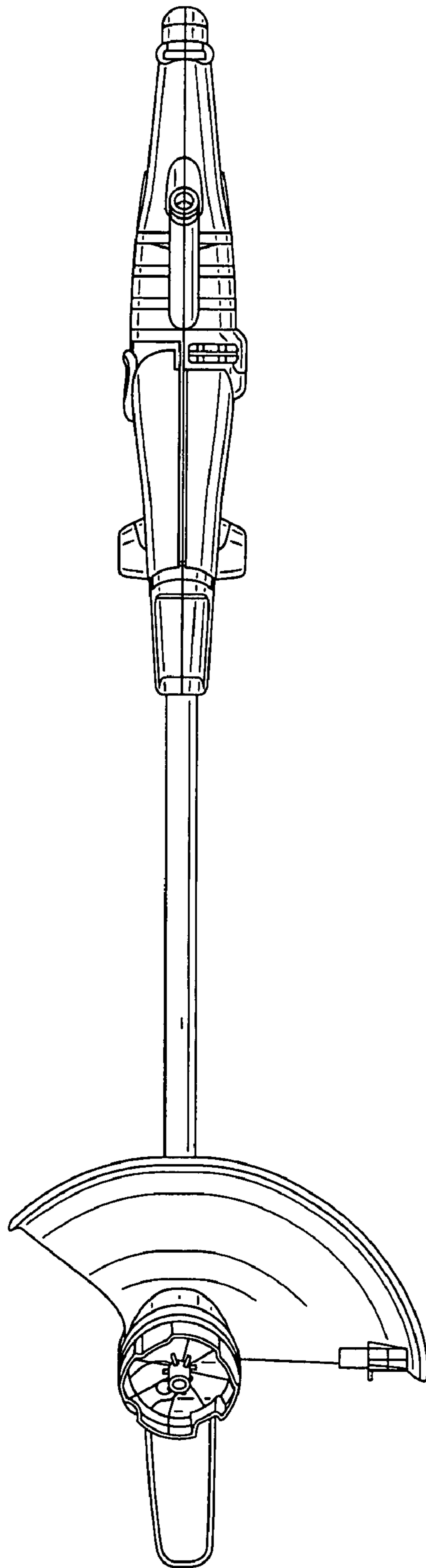


FIG. 5

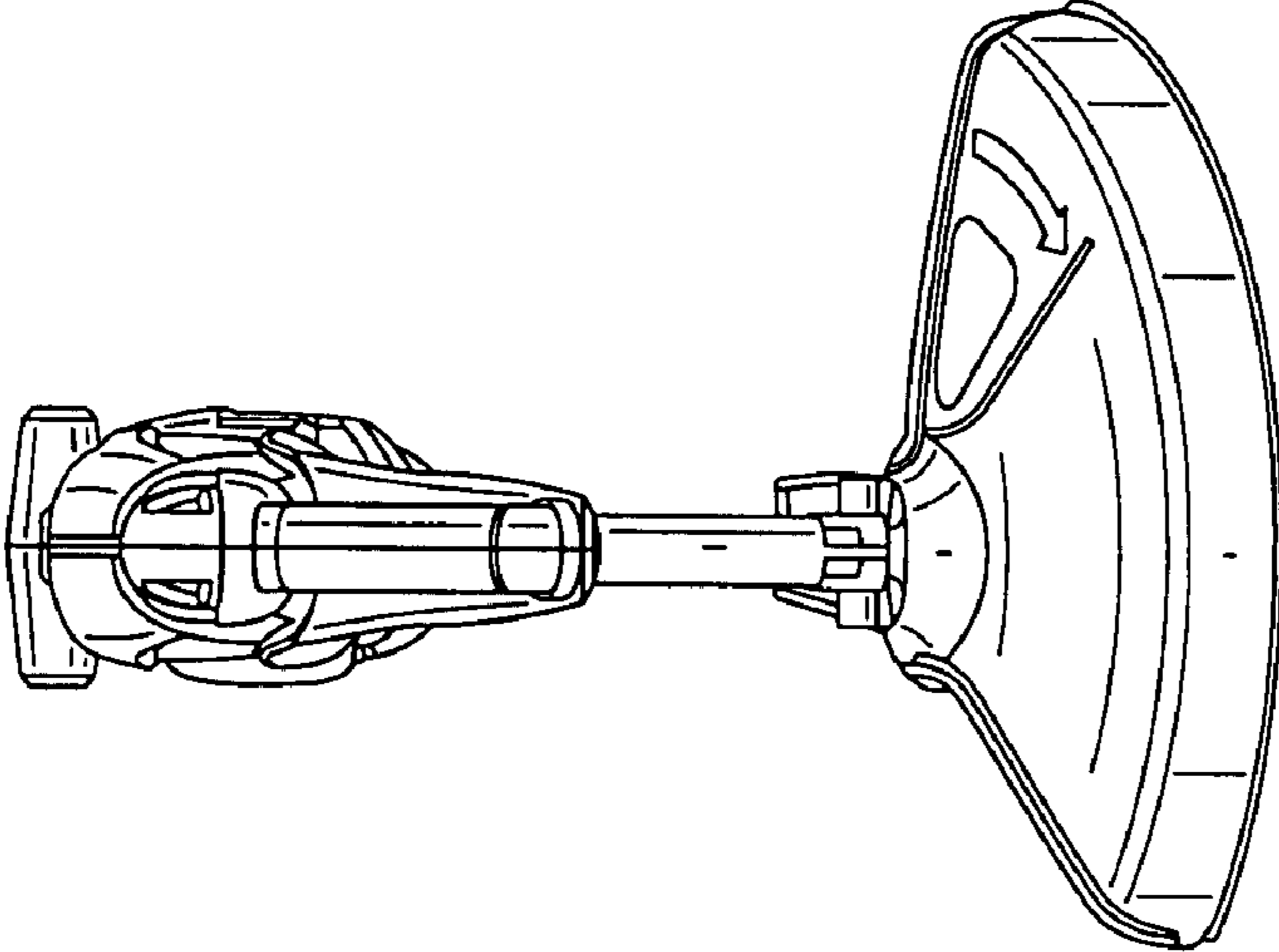


FIG. 7

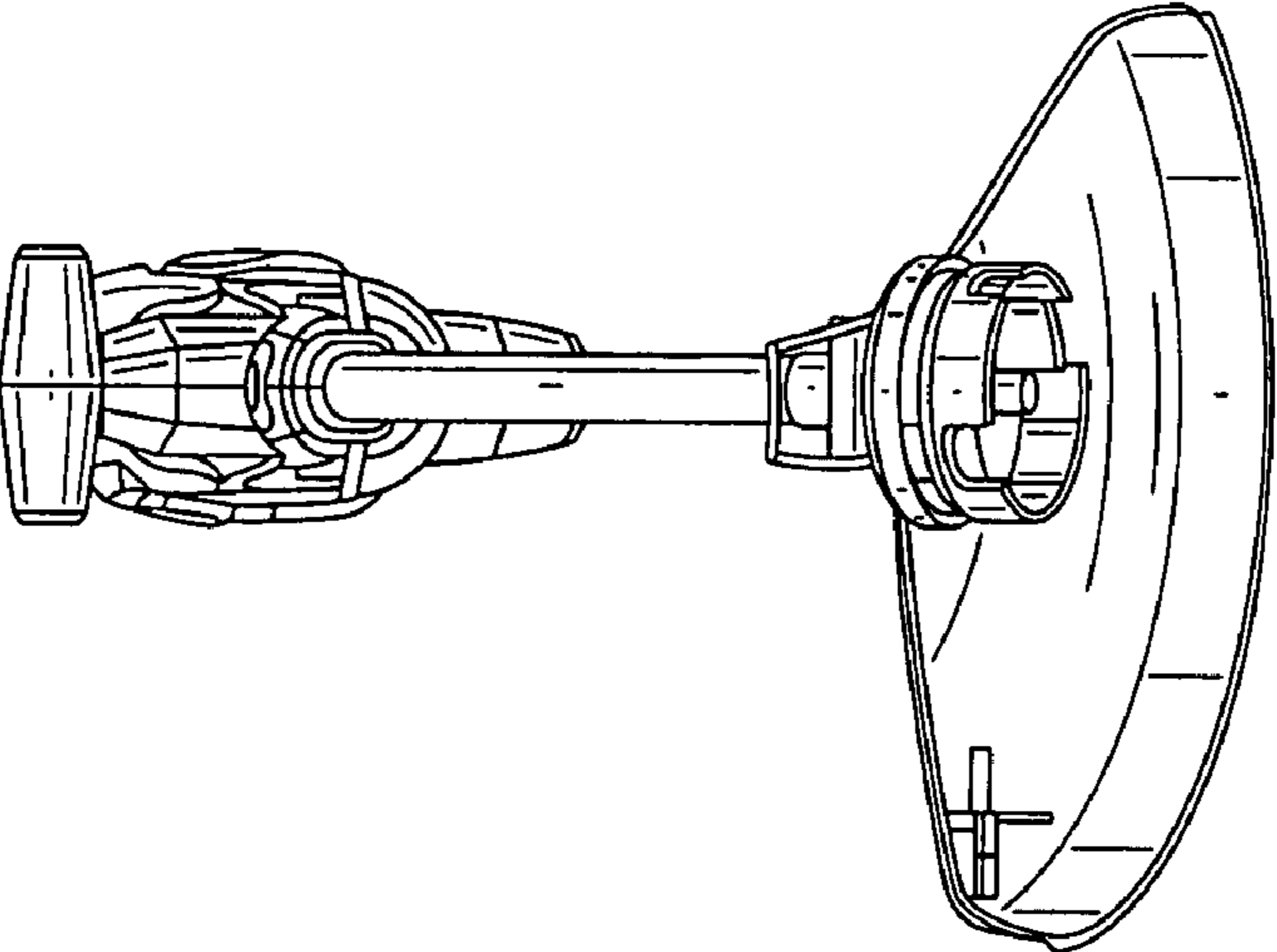


FIG. 6