



US00D551914S

(12) **United States Design Patent**  
**Chang Chien**

(10) **Patent No.:** **US D551,914 S**  
(45) **Date of Patent:** **\*\* Oct. 2, 2007**

(54) **COMBINED FRUIT AND VEGETABLE  
PROCESSOR**

*Primary Examiner*—Terry A. Wallace  
(74) *Attorney, Agent, or Firm*—Leong C. Lei

(76) **Inventor:** **Sung-Shan Chang Chien**, No. 8-1, Mei  
Shan Rd., Niao Sung Hsiang,  
Kaohsiung Hsien (TW)

(57) **CLAIM**

(\*\*) **Term:** **14 Years**

The ornamental design for a combined fruit and vegetable  
processor, as shown and described.

(21) **Appl. No.:** **29/249,006**

(22) **Filed:** **Sep. 15, 2006**

**DESCRIPTION**

(51) **LOC (8) Cl.** ..... **31-00**

(52) **U.S. Cl.** ..... **D7/665; D7/378; D7/384**

(58) **Field of Classification Search** ..... D7/665–668,  
D7/378, 381, 384; 99/501–513, 492, 495,  
99/497, 499; 241/166–169.1, 274–278.2,  
241/33, 36, 37.5, 100, 282.1, 282.2; 366/64–67,  
366/98, 100, 129, 191, 197–201, 241–254,  
366/341, 342

See application file for complete search history.

FIG. 1 is a perspective view of a combined fruit and  
vegetable processor showing my new design;  
FIG. 2 is a front side elevational view thereof;  
FIG. 3 is a rear side elevational view thereof;  
FIG. 4 is a left elevational view thereof;  
FIG. 5 is a right elevational view thereof  
FIG. 6 is a top plan view thereof;  
FIG. 7 is a bottom plan view thereof; and,  
FIG. 8 is another perspective view thereof, with a capped flat  
cover engaged.

(56) **References Cited**

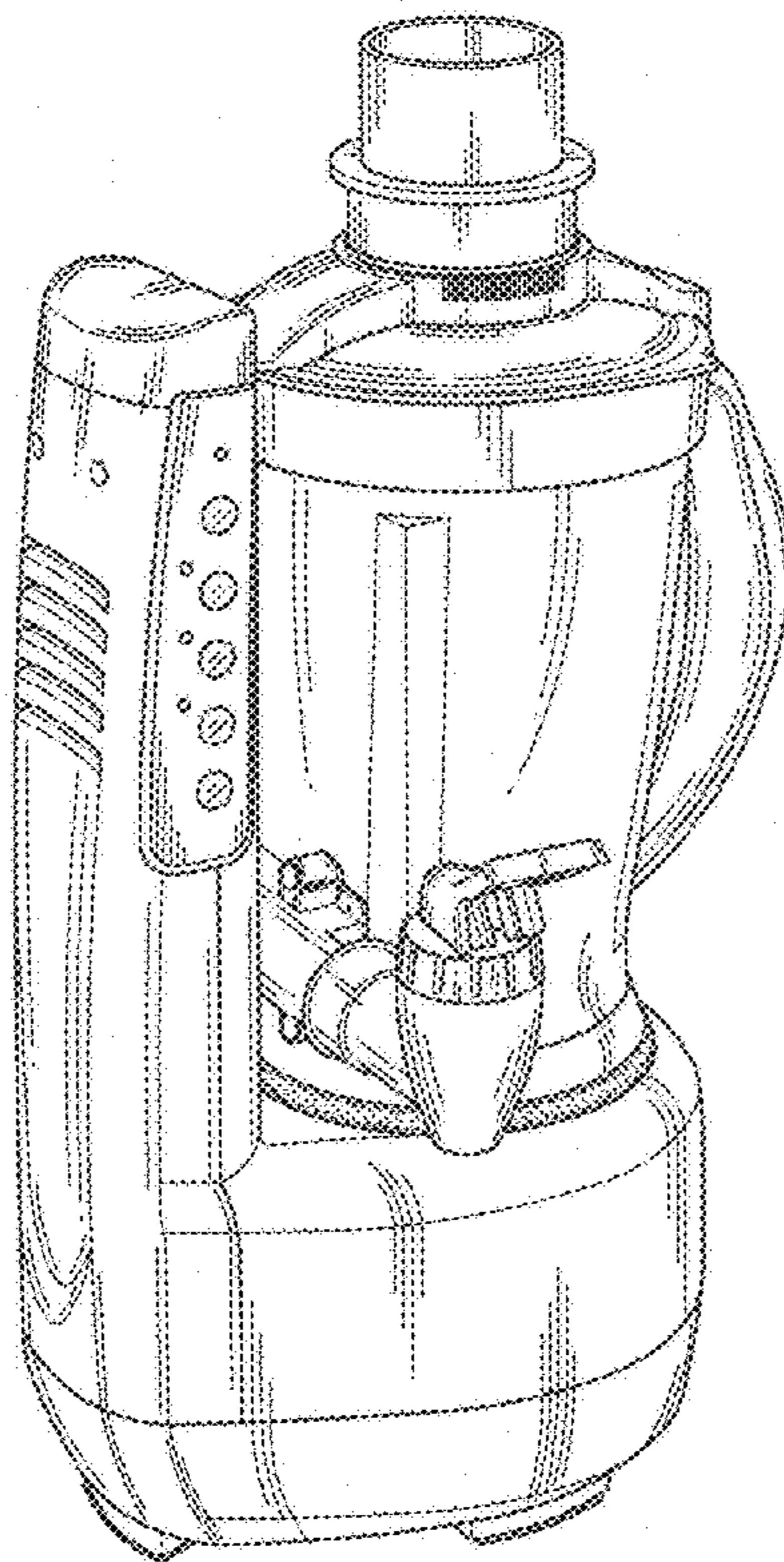
**U.S. PATENT DOCUMENTS**

D483,607 S *	12/2003	Chang Chien	.....	D7/384
D498,642 S *	11/2004	Huang	.....	D7/378
D504,277 S *	4/2005	Hei	.....	D7/378
2003/0099154 A1 *	5/2003	Daniels	.....	366/191
2005/0207270 A1 *	9/2005	Beesley	.....	366/205

The dotted line showing of the capped flat cover is for  
illustrative purposes only and forms no part of the claimed  
design.

\* cited by examiner

**1 Claim, 5 Drawing Sheets**



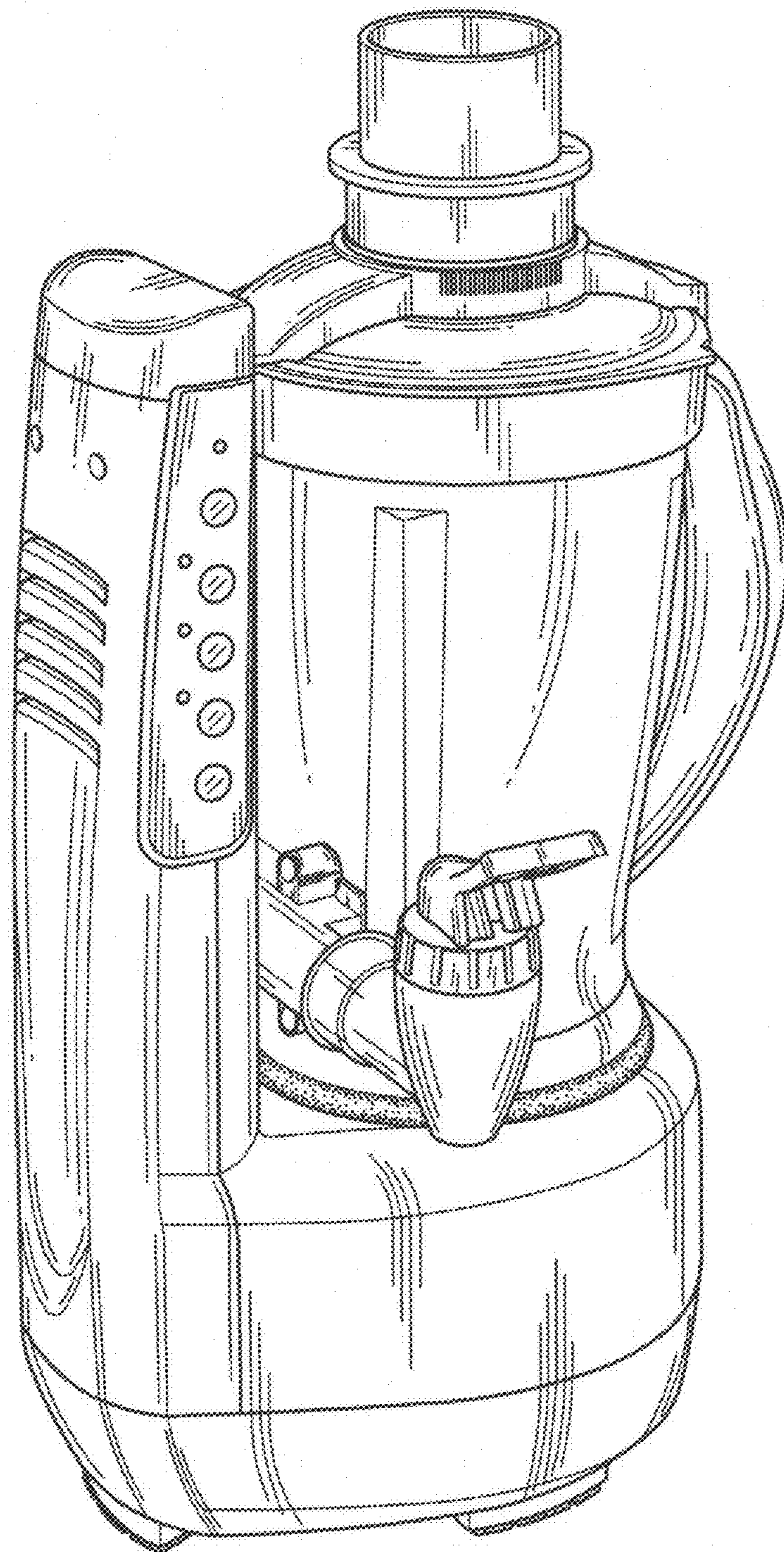


FIG. 1

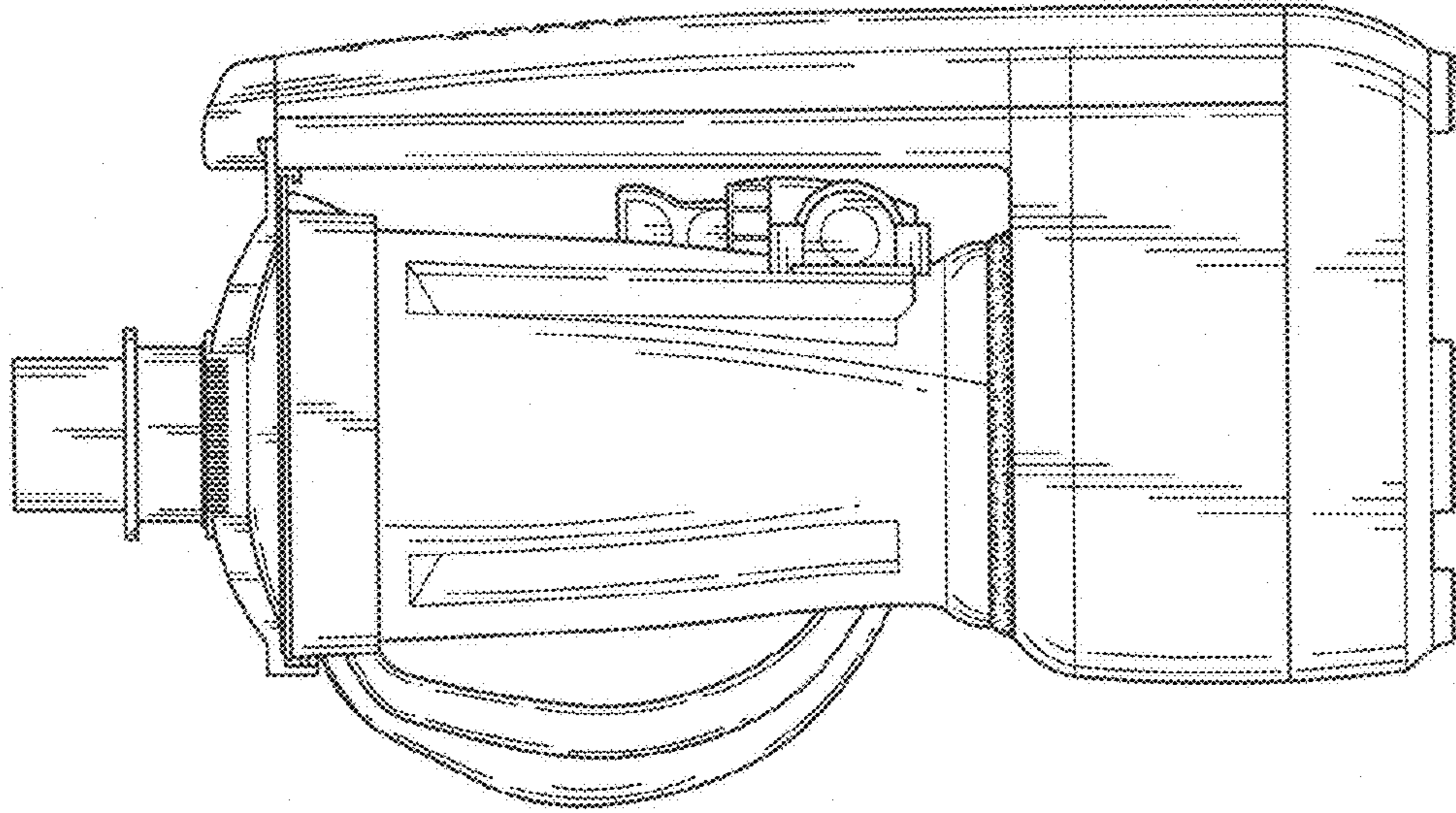


FIG. 3

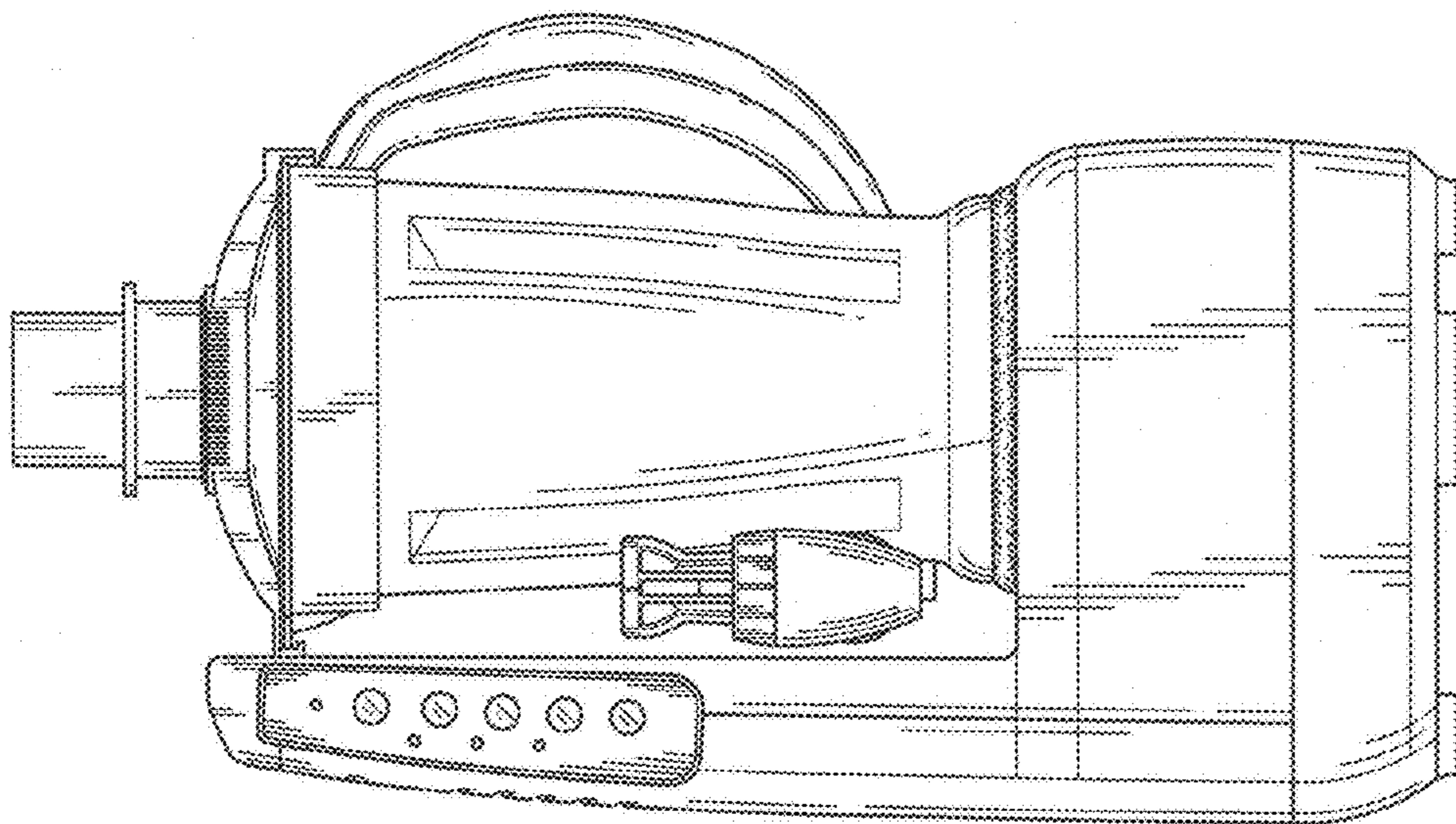


FIG. 2

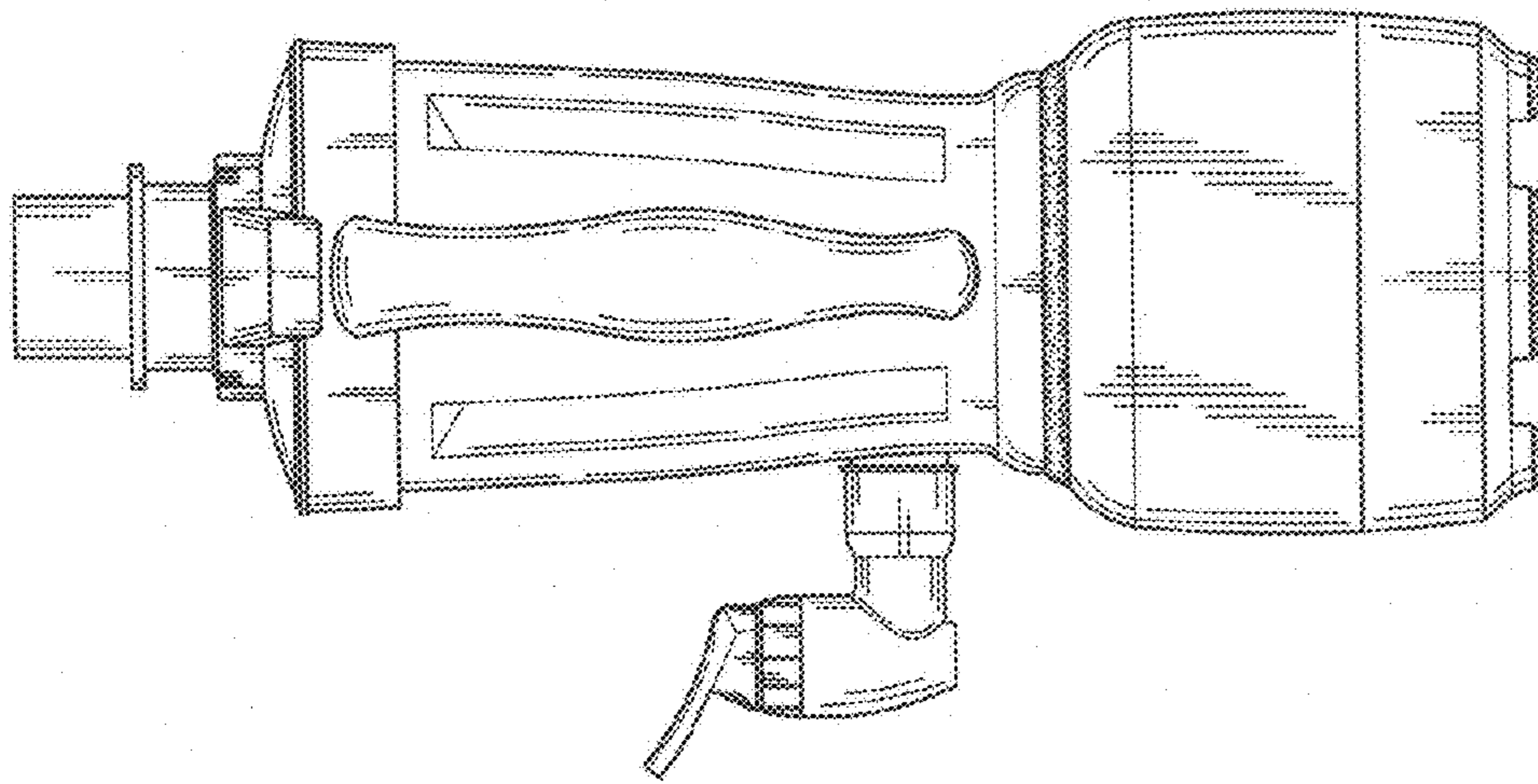


FIG.5

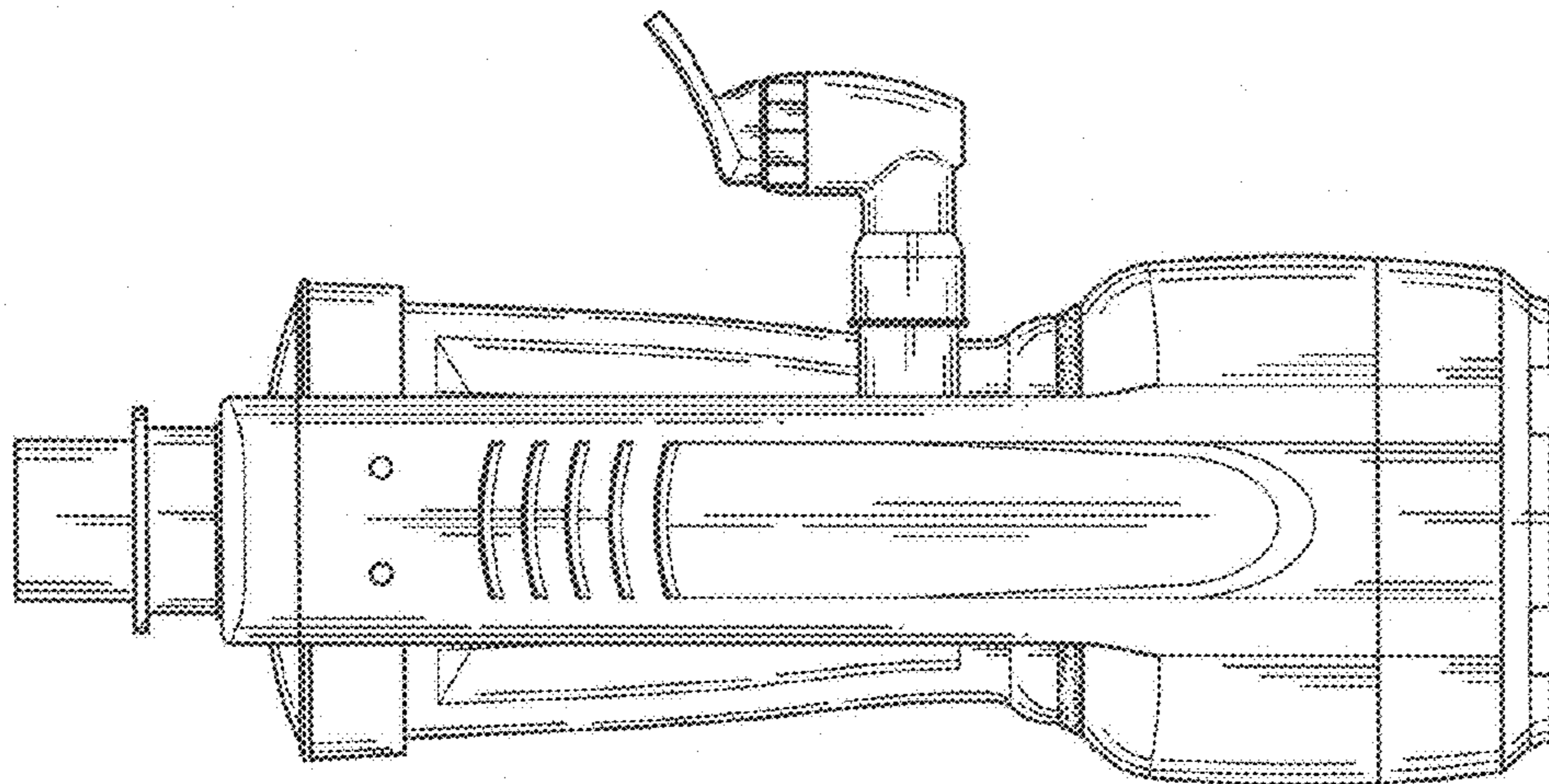


FIG.4

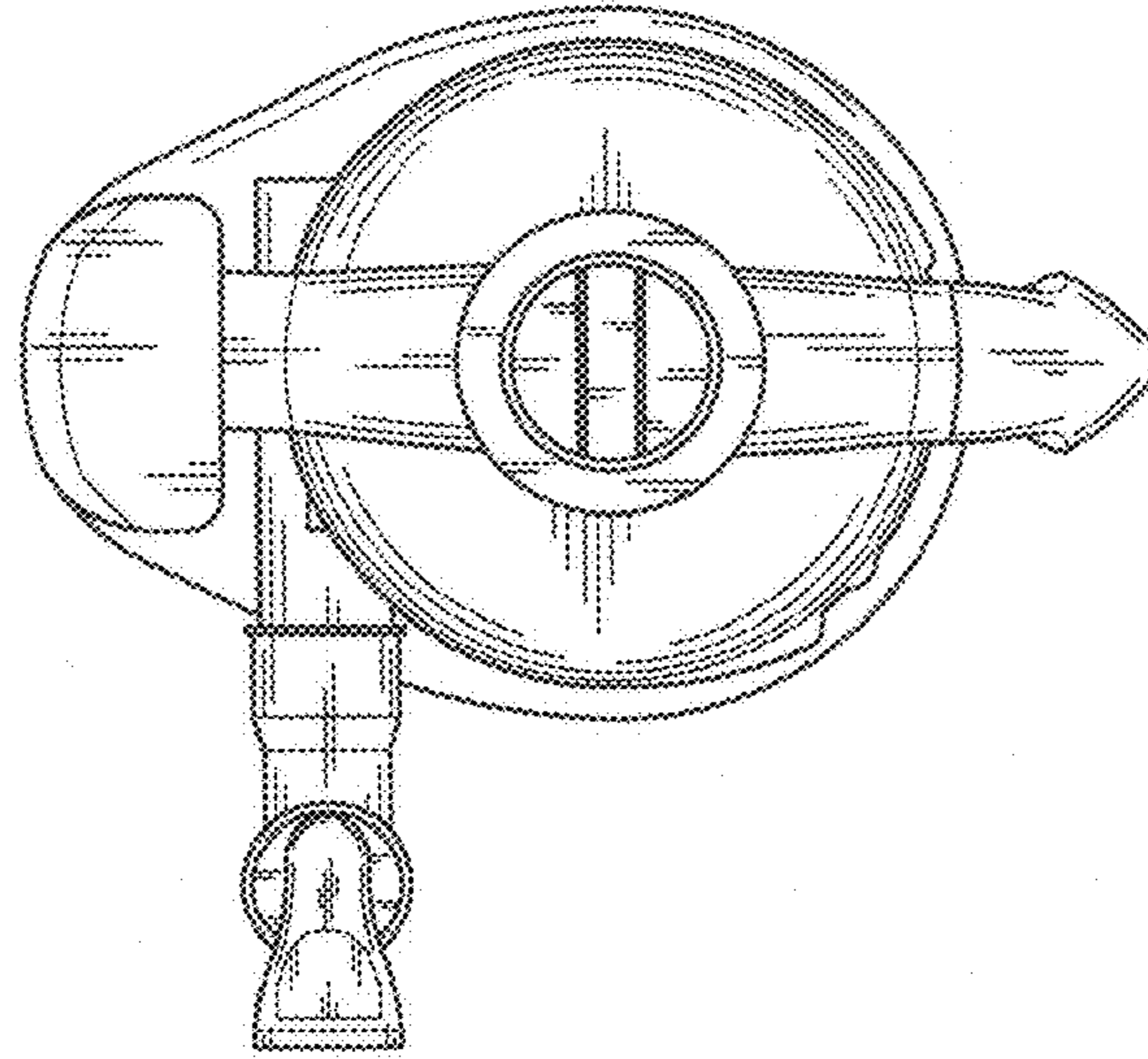


FIG. 6

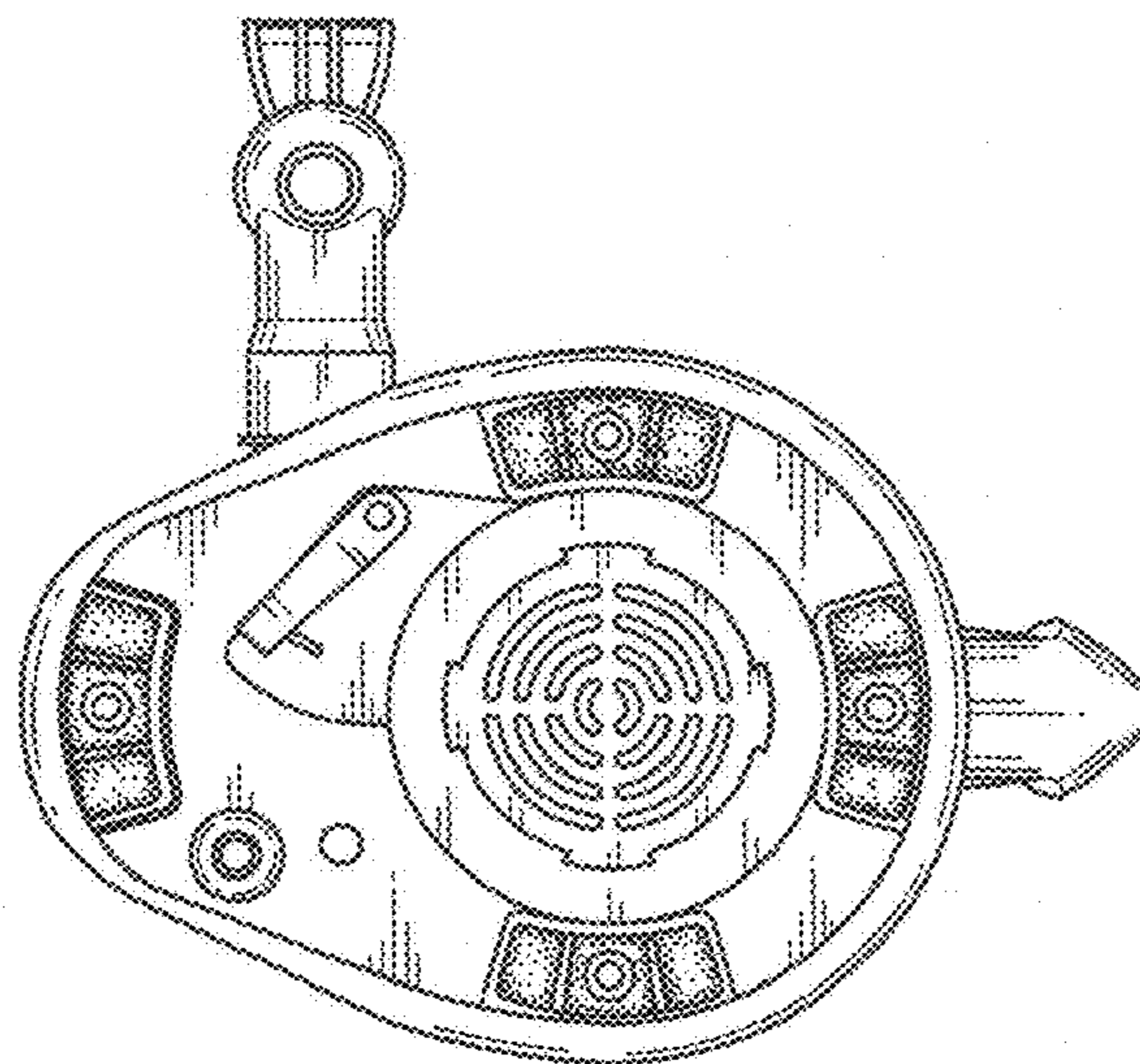


FIG. 7

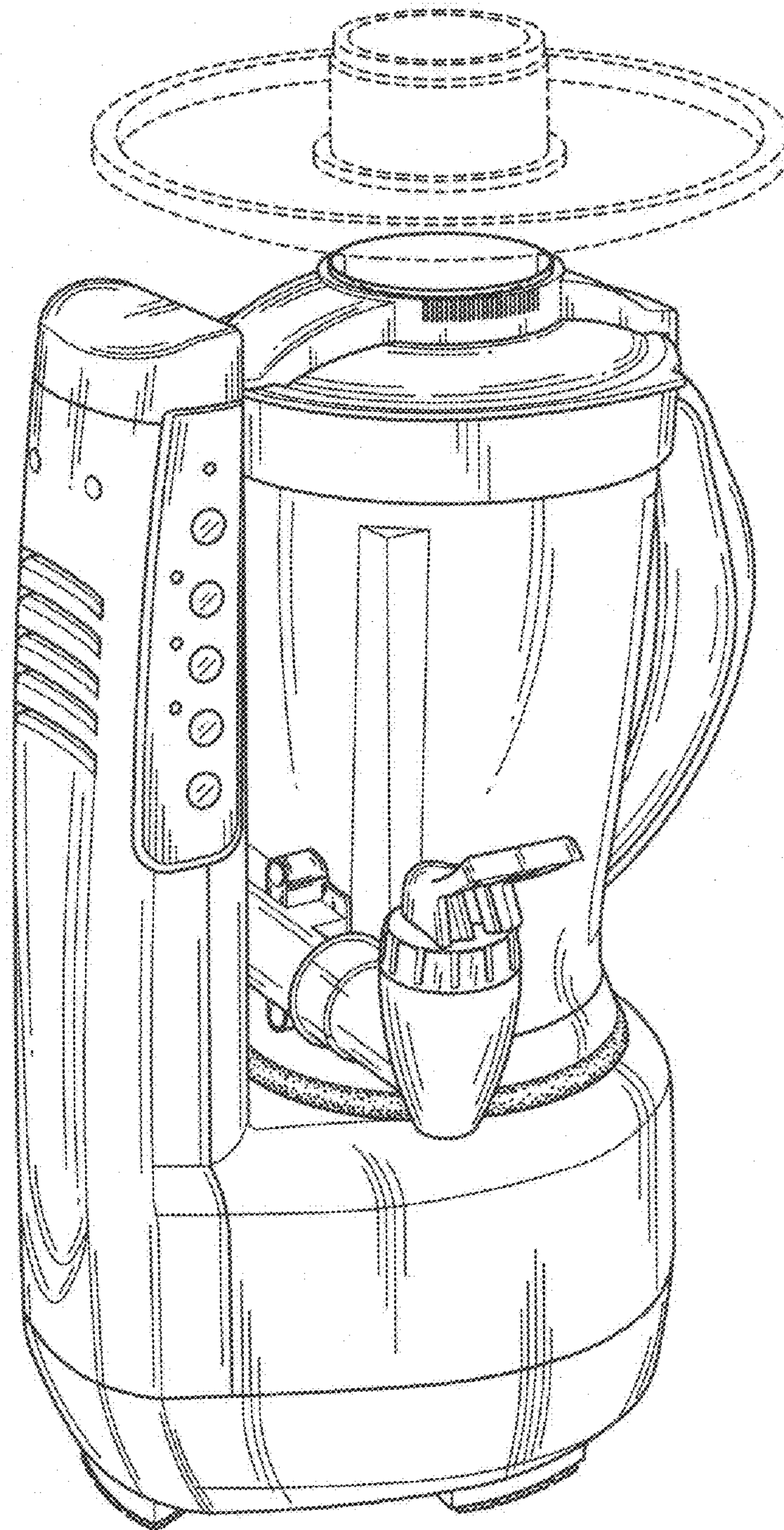


FIG.8