



US00D551912S

(12) **United States Design Patent**  
**Cooke**

(10) **Patent No.:** **US D551,912 S**

(45) **Date of Patent:** **\*\* Oct. 2, 2007**

(54) **CUP HOLDER CARTON ADAPTOR**

(76) **Inventor:** **David Michael Joel Cooke**, 167 Rouge  
Forest Cress, Pickering, Ontario (CA)  
L1V 7A2

(\*\*) **Term:** **14 Years**

(21) **Appl. No.:** **29/264,336**

(22) **Filed:** **Aug. 8, 2006**

(51) **LOC (8) Cl.** ..... **07-06**

(52) **U.S. Cl.** ..... **D7/619.1**

(58) **Field of Classification Search** ..... D7/619.1-625,  
D7/605; D12/415-419; 248/346.11, 311.2,  
248/314; 211/74; 224/42.42, 42.45 R, 412,  
224/483, 926, 269; 220/737; 296/37.1-37.16  
See application file for complete search history.

(56) **References Cited**

**U.S. PATENT DOCUMENTS**

- 5,180,088 A 1/1993 de Angeli
- 5,676,340 A \* 10/1997 Ruhnau ..... 248/311.2
- D400,763 S \* 11/1998 Taylor et al. .... D7/619.1
- D419,393 S 1/2000 Lance

- 6,099,062 A \* 8/2000 Siegel ..... 296/37.12
- 6,315,153 B1 \* 11/2001 Osborn ..... 220/737
- 6,543,637 B1 4/2003 Osborn
- 6,641,102 B2 11/2003 Veltri et al.
- D501,118 S 1/2005 Schrock

\* cited by examiner

*Primary Examiner*—Terry A. Wallace

(57) **CLAIM**

The ornamental design for a cup holder carton adaptor, as shown and described.

**DESCRIPTION**

FIG. 1 is a top-side perspective view of a cup holder carton adaptor showing my new design;

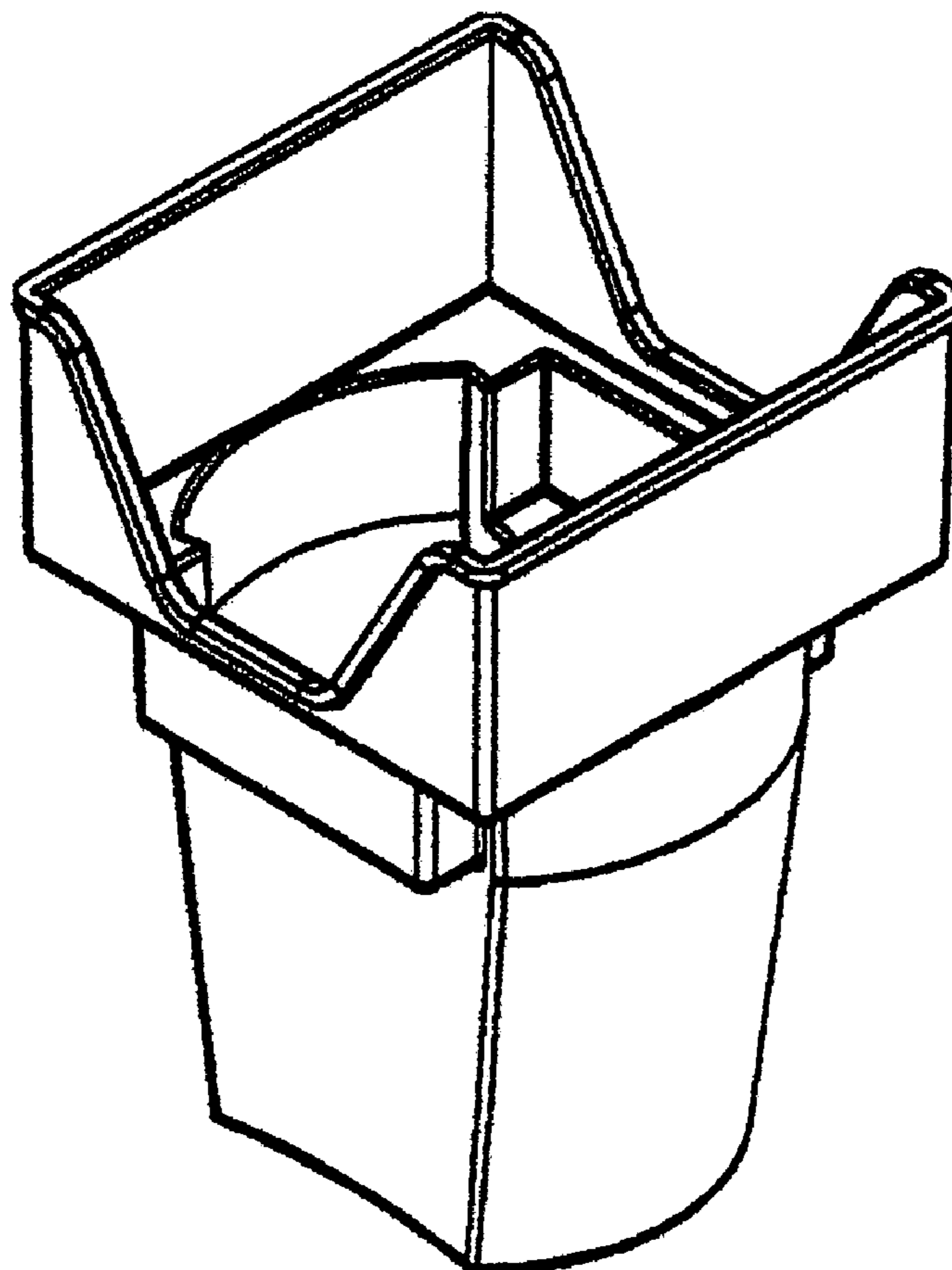
FIG. 2 is a top plan view thereof;

FIG. 3 is a bottom plan view;

FIG. 4 is a front elevational view with the rear elevational view substantially identical; and,

FIG. 5 is a right side elevational view with the left side elevational view substantially identical.

**1 Claim, 2 Drawing Sheets**



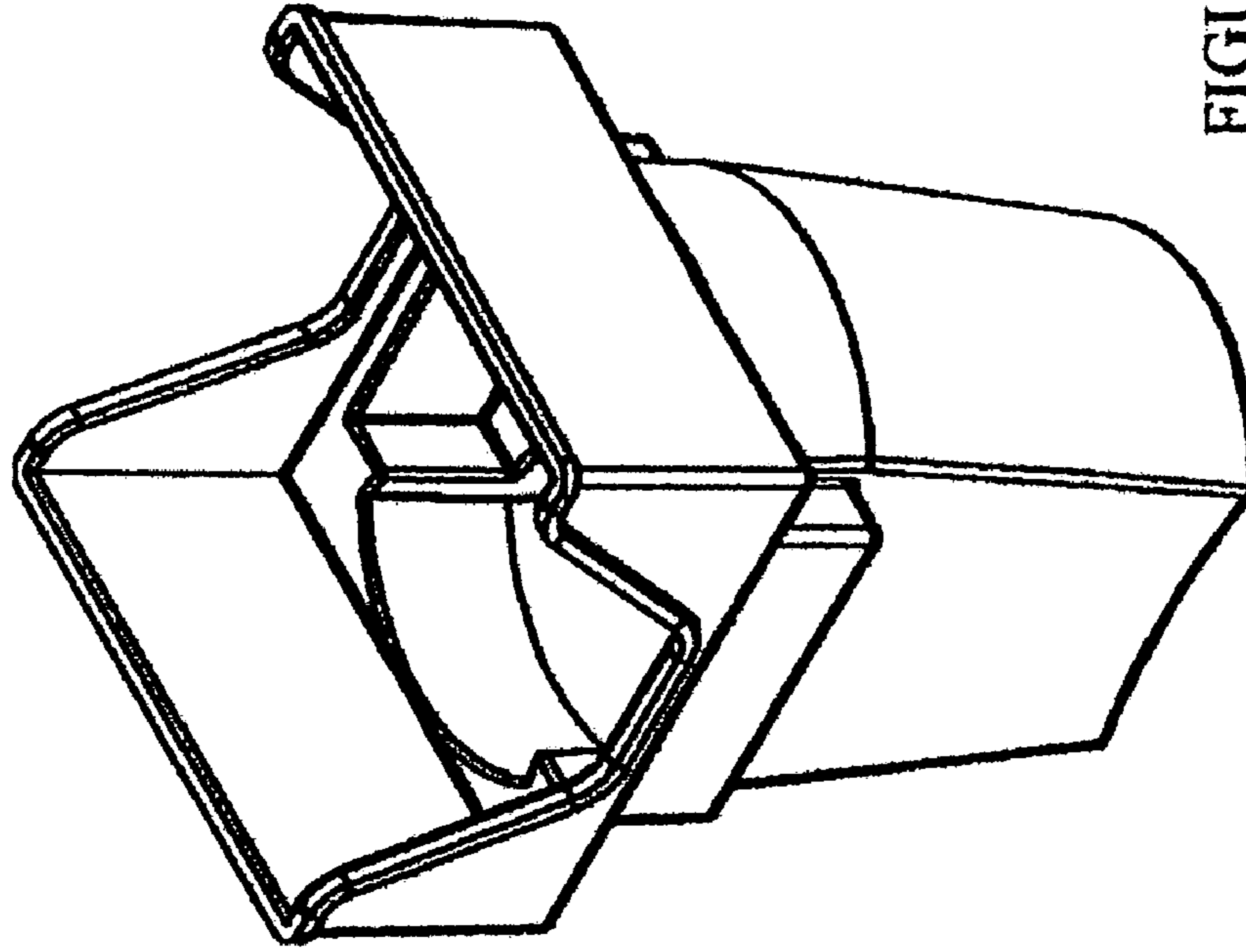


FIGURE 1

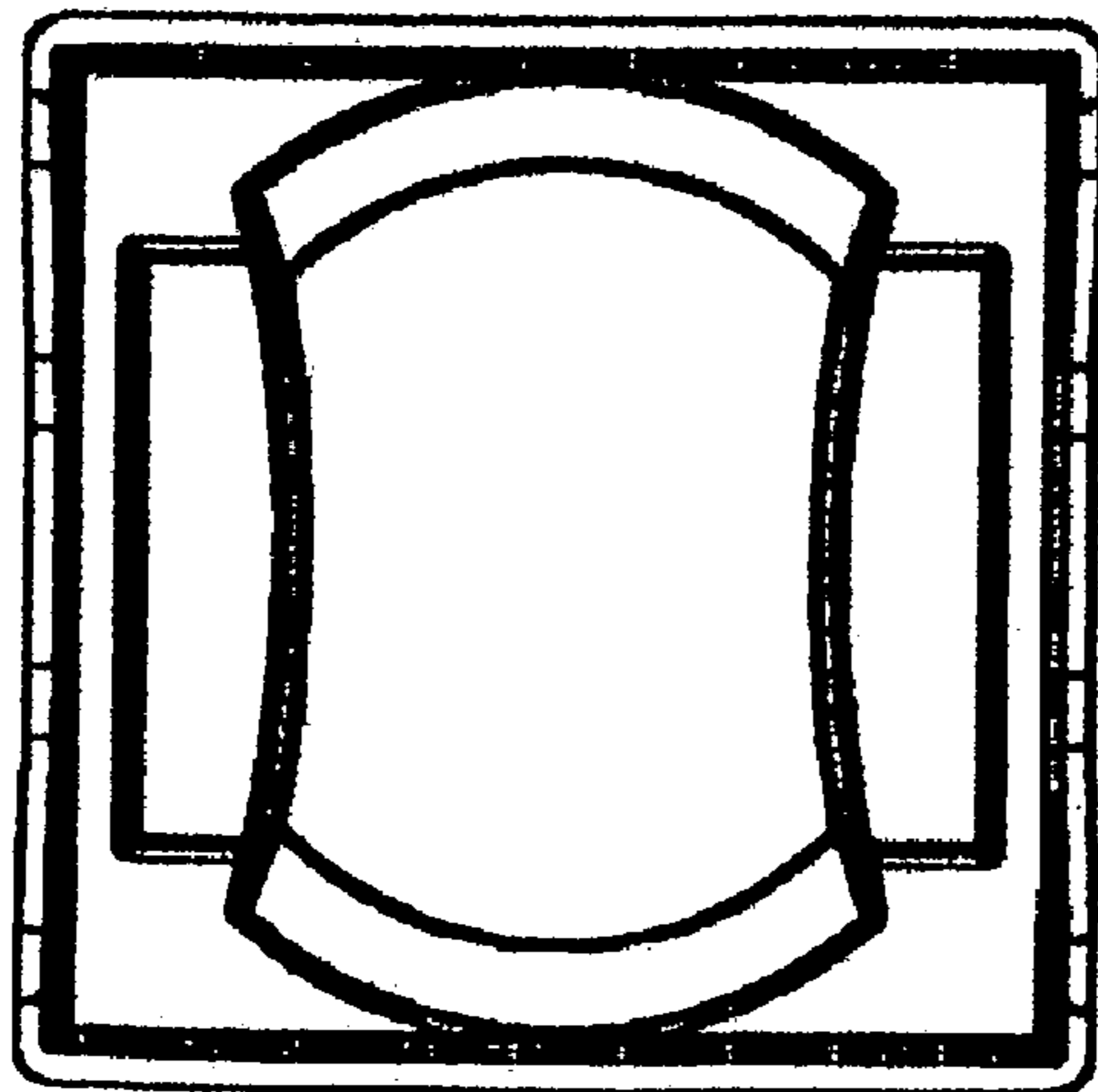


FIGURE 2

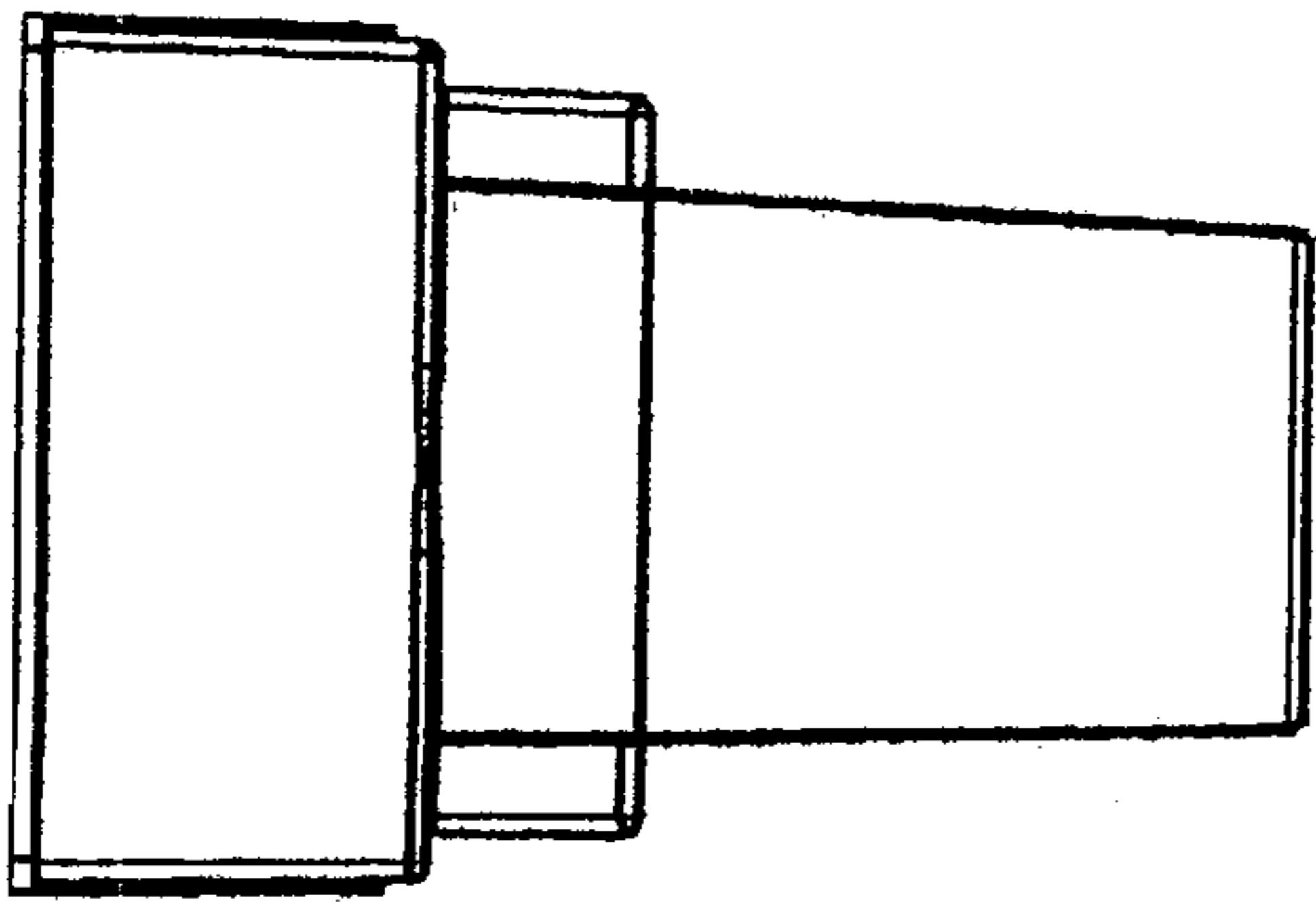


FIGURE 5

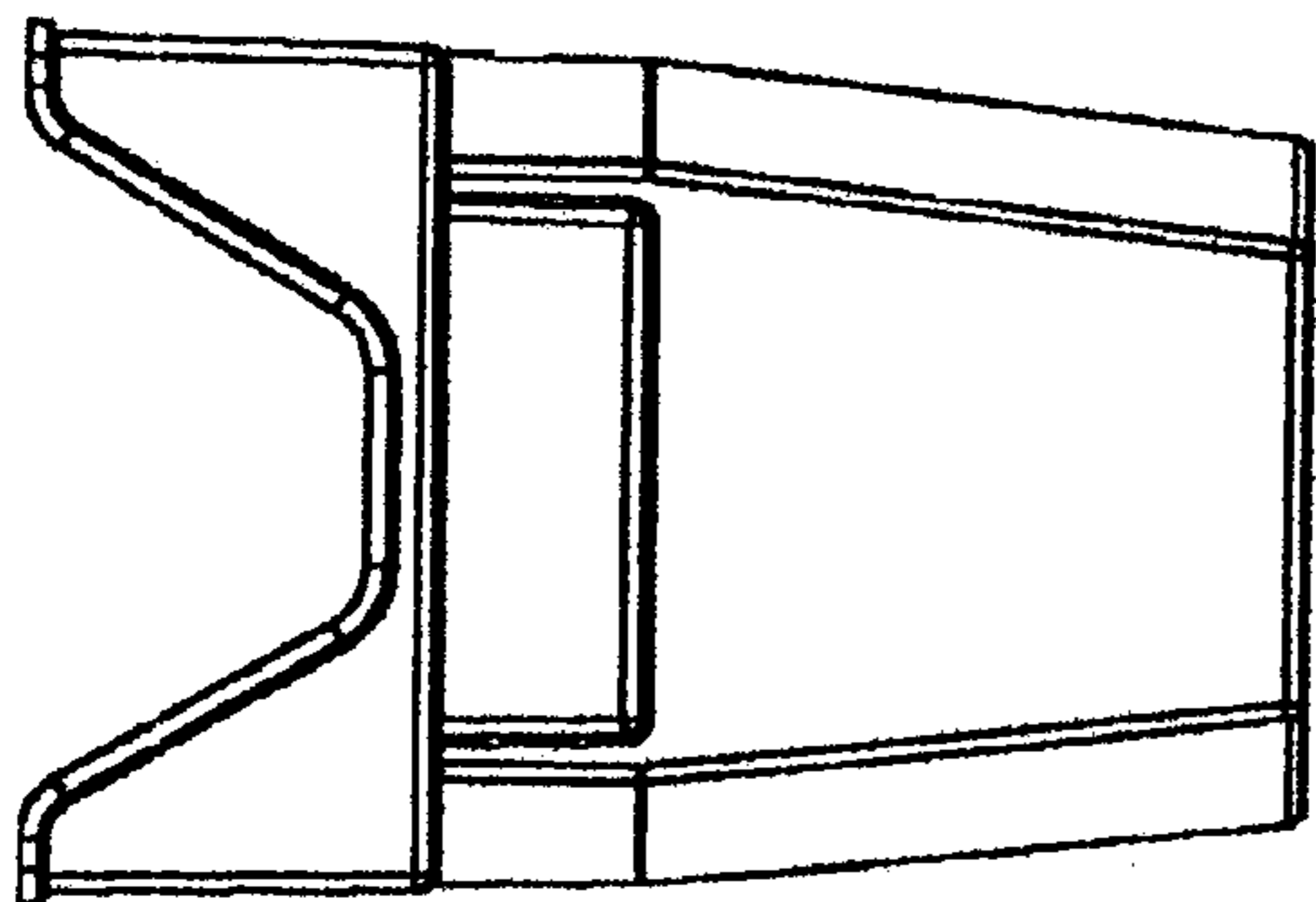


FIGURE 4

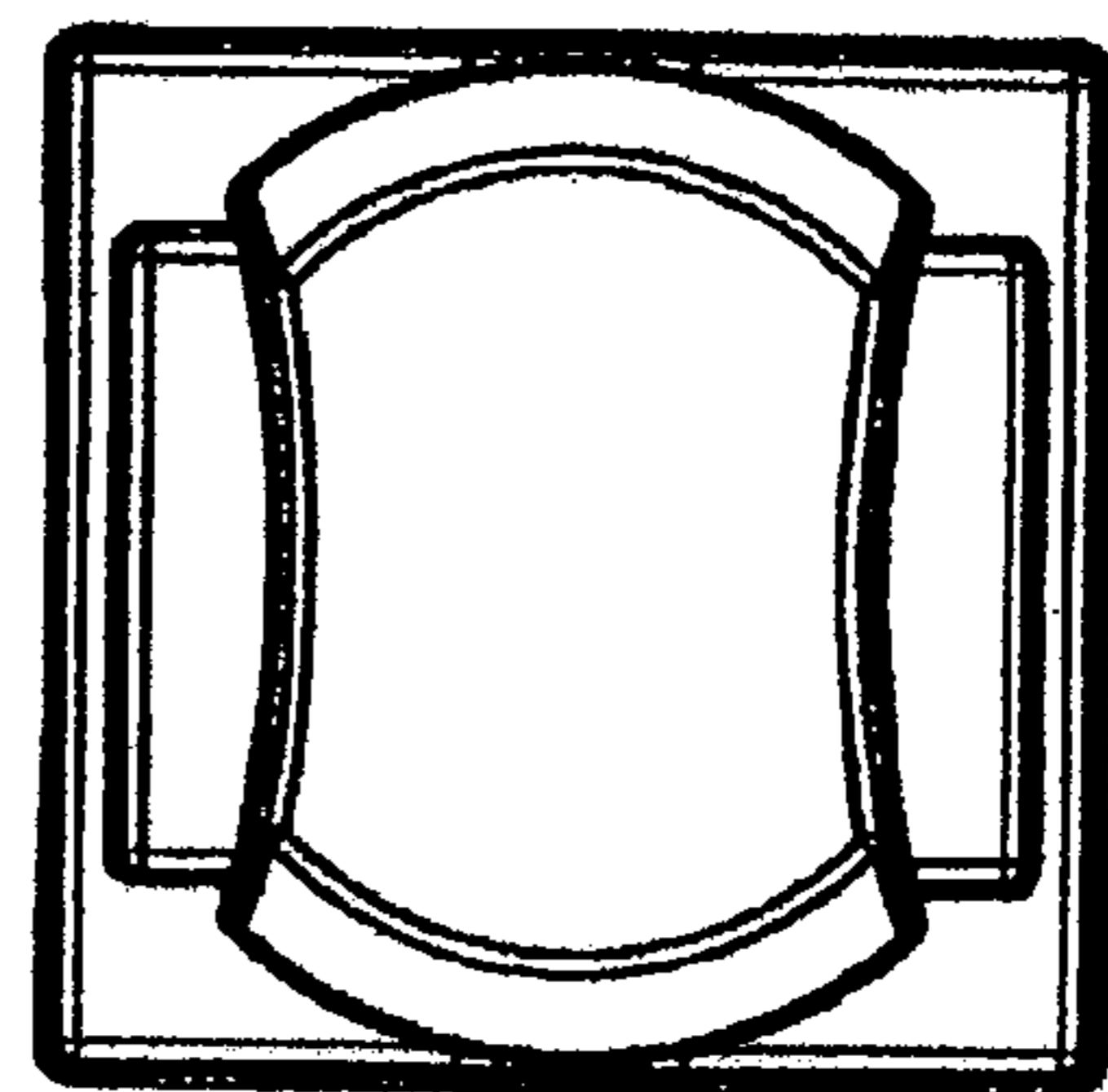


FIGURE 3