



US00D551908S

(12) **United States Design Patent** (10) **Patent No.:** **US D551,908 S**
Friedland et al. (45) **Date of Patent:** **** Oct. 2, 2007**

(54) **CONTAINER**

D204,963 S * 5/1966 Kossnar D9/429
D208,829 S 10/1967 Stockdale D9/425

(75) Inventors: **Jason Friedland**, Franklin, TN (US);
Matthew Wadalawala, Manhattan
Beach, CA (US); **Angus MacLellan**,
Columbus, OH (US); **John Heck**,
Ostrander, OH (US); **Glenn Shull**, Los
Angeles, CA (US); **Gary Chisholm**,
Rancho Palos Verdes, CA (US)

(Continued)

OTHER PUBLICATIONS

U.S. Trademark Registration No. 2,052,069 (Apr. 15, 1997).

(Continued)

Primary Examiner—Philip S. Hyder
Assistant Examiner—Cynthia Underwood
(74) *Attorney, Agent, or Firm*—Arent Fox

(73) Assignee: **Mars, Incorporated**, McLean, VA (US)

(**) Term: **14 Years**

(21) Appl. No.: **29/267,013**

(22) Filed: **Oct. 4, 2006**

(51) **LOC (8) Cl.** **07-01**

(52) **U.S. Cl.** **D7/545; D7/500; D7/584;**
D7/585

(58) **Field of Classification Search** D7/354,
D7/369, 500, 540-41, 543, 545, 546, 550.1,
D7/548, 553.1, 565, 553.3, 586, 553.7, 601,
D7/584, 602, 554.1, 605, 554.4, 610; D6/300,
D6/401.1-401.6; D9/416, 431, 424-430,
D9/433, 737, 759; D27/126; D11/152; D20/10;
220/500, 574; 229/123.1; 206/561; D30/129
See application file for complete search history.

(56) **References Cited**

U.S. PATENT DOCUMENTS

D42,200 S	2/1912	Farr	D7/584
D50,194 S *	1/1917	Haley	D7/584
D50,195 S	1/1917	Haley	D7/586
D68,215 S	9/1925	McLean	D9/430
1,735,219 A *	11/1929	Steele et al.	220/62.13
D81,921 S *	9/1930	Dwyer	D7/585
3,244,312 A	4/1966	Lawson	220/5
D204,640 S	5/1966	Reifers et al.	D9/425
D204,961 S *	5/1966	Kossnar	D9/429
D204,962 S *	5/1966	Kossnar	D9/429

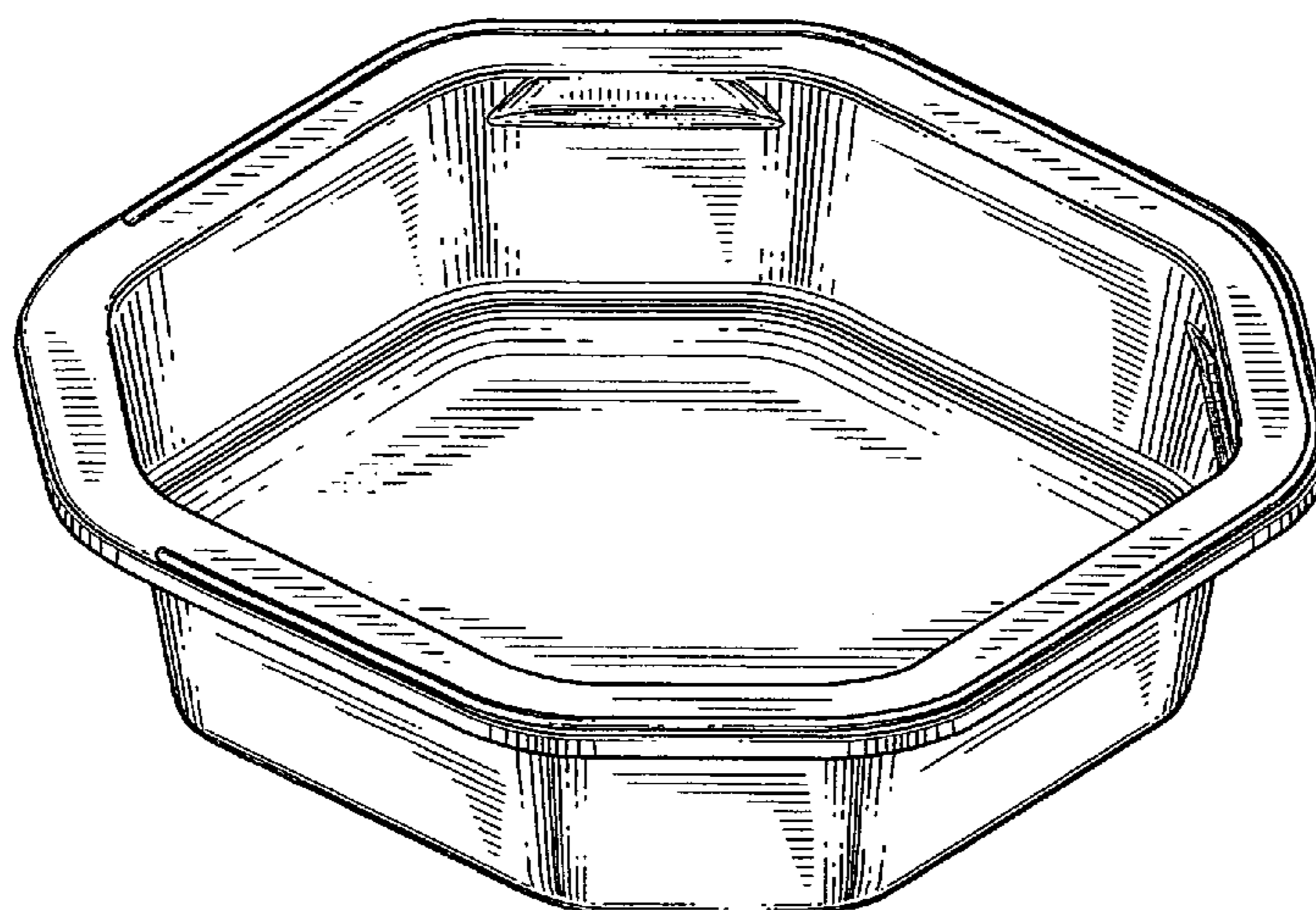
(57) **CLAIM**

The ornamental design for a container, substantially as shown and described.

DESCRIPTION

FIG. 1 is a perspective view of a first embodiment of the container, showing our new design;
FIG. 2 is a left side elevational view thereof;
FIG. 3 is a right side elevational view thereof;
FIG. 4 is a top plan view thereof;
FIG. 5 is a front elevational view thereof;
FIG. 6 is a rear elevational view thereof;
FIG. 7 is a perspective view of a second embodiment of the container;
FIG. 8 is a left side elevational view of the second embodiment, the right side elevational view being a mirror image thereof;
FIG. 9 is a top plan view thereof; and,
FIG. 10 is a front elevational view of the second embodiment, the rear elevational view being a mirror image thereof.
The bottom of the container forms no part of the claimed design.

1 Claim, 4 Drawing Sheets



US D551,908 S

Page 2

U.S. PATENT DOCUMENTS

D213,428 S	3/1969	Batdorf	D9/220	D344,892 S	3/1994	Robie et al.	D9/431
3,443,741 A	5/1969	Stockdale	229/51	D374,819 S	10/1996	Wells	D9/425
D226,837 S	5/1973	Le Cody	D9/429	D385,185 S	10/1997	Rench et al.	D9/430
D251,895 S	5/1979	Belmuth et al.	D9/426	D397,294 S *	8/1998	Saulas	D9/430
D253,331 S	11/1979	Olschewski	D7/76	D398,526 S	9/1998	Schwarz et al.	D9/431
D255,857 S	7/1980	Zimmermann	D7/565	D398,846 S	9/1998	Wyslotsky	D9/425
D256,308 S	8/1980	Zimmermann	D7/565	D398,847 S *	9/1998	Wyslotsky et al.	D9/425
D256,756 S *	9/1980	Painter et al.	D7/584	D398,848 S	9/1998	Wyslotsky et al.	D9/425
4,265,390 A	5/1981	Faller et al.	229/30	D414,080 S	9/1999	Bolwien	D7/602
D275,079 S	8/1984	Sun	D6/300	D427,902 S	7/2000	Hayes et al.	D9/425
D285,514 S	9/1986	Ritman	D7/354	D461,431 S	8/2002	Ciocchini	D11/152
D288,295 S	2/1987	Holden	D9/425	6,572,909 B1 *	6/2003	Bagwell et al.	426/394
D290,813 S	7/1987	Forbes, Jr.	D9/433	D484,749 S	1/2004	Garraway	D7/584
D291,757 S *	9/1987	Ritman	D7/584	D485,173 S	1/2004	Jacquet	D9/416
D298,000 S	10/1988	Ritman	D7/584	D489,254 S	5/2004	Kocis et al.	D9/425
D304,016 S	10/1989	Forbes et al.	D9/425	D532,980 S *	12/2006	Hutton	D6/300
D305,393 S	1/1990	Stewart	D7/21				
D307,716 S	5/1990	Fitzloff et al.	D9/424				
D315,099 S	3/1991	Alizard	D9/424				
D322,403 S	12/1991	Eaton	D9/429				

OTHER PUBLICATIONS

U.S. Trademark Registration No. 2,629,469 (Oct. 1, 2002).

* cited by examiner

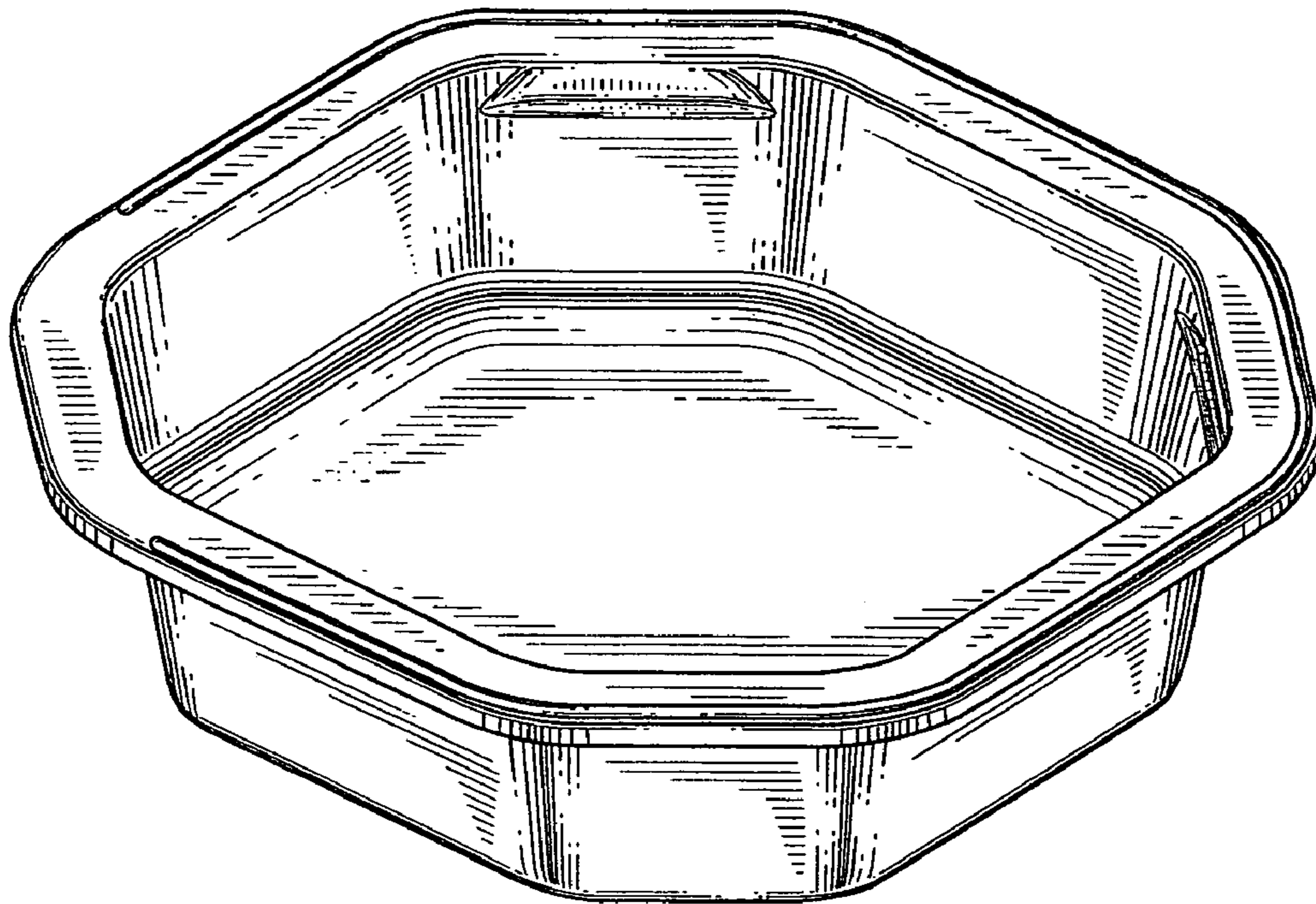


FIG. 1

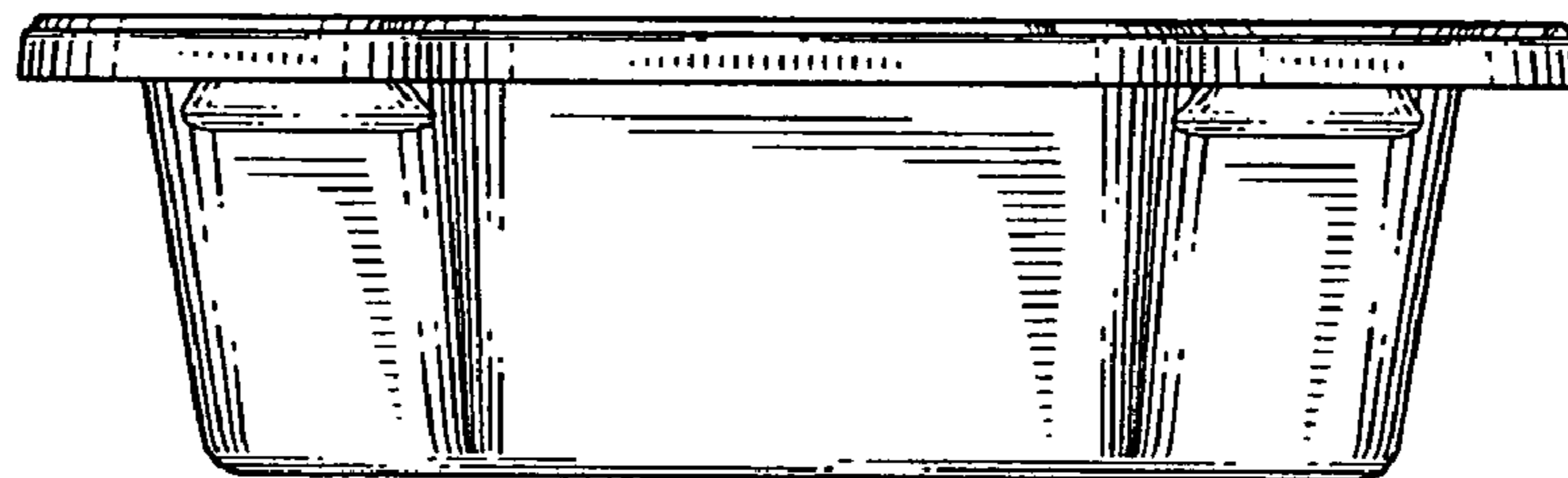


FIG. 2

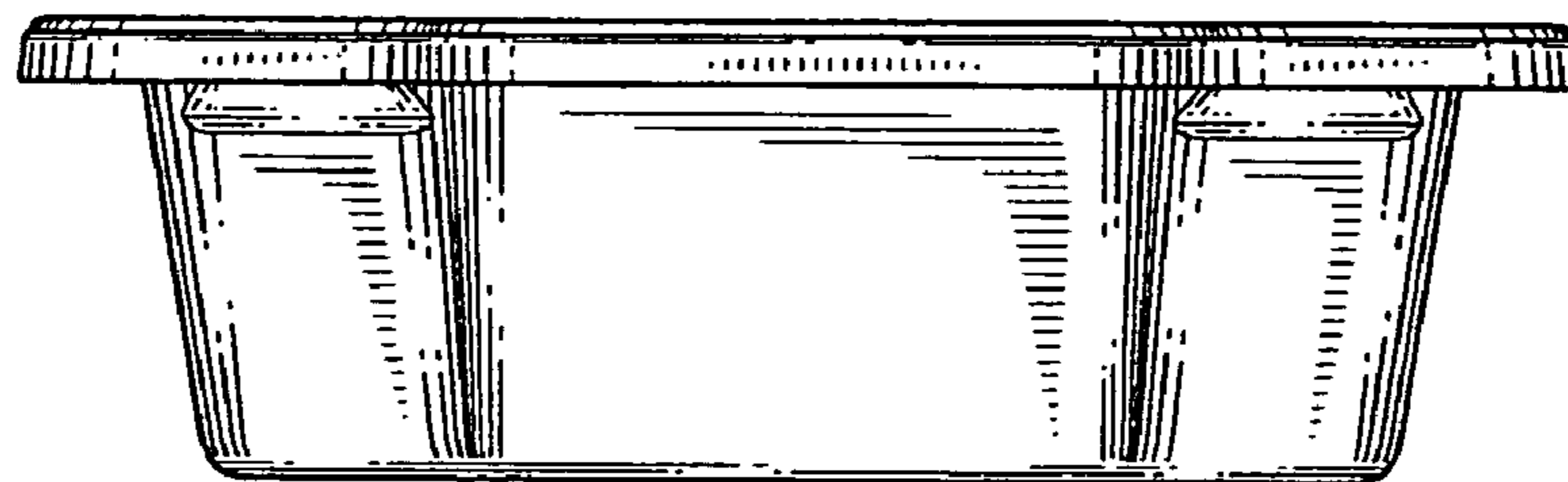


FIG. 3

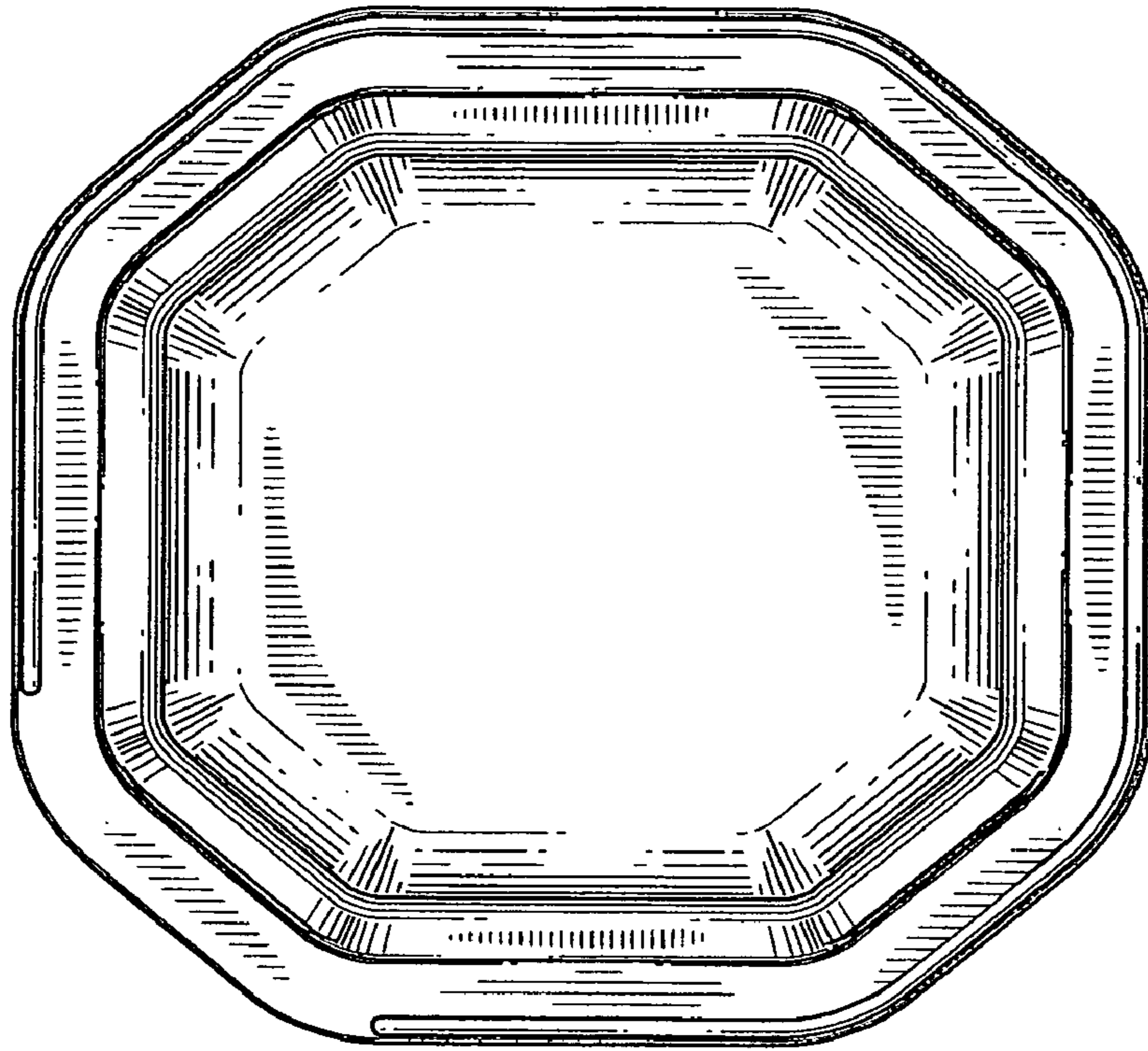


FIG. 4

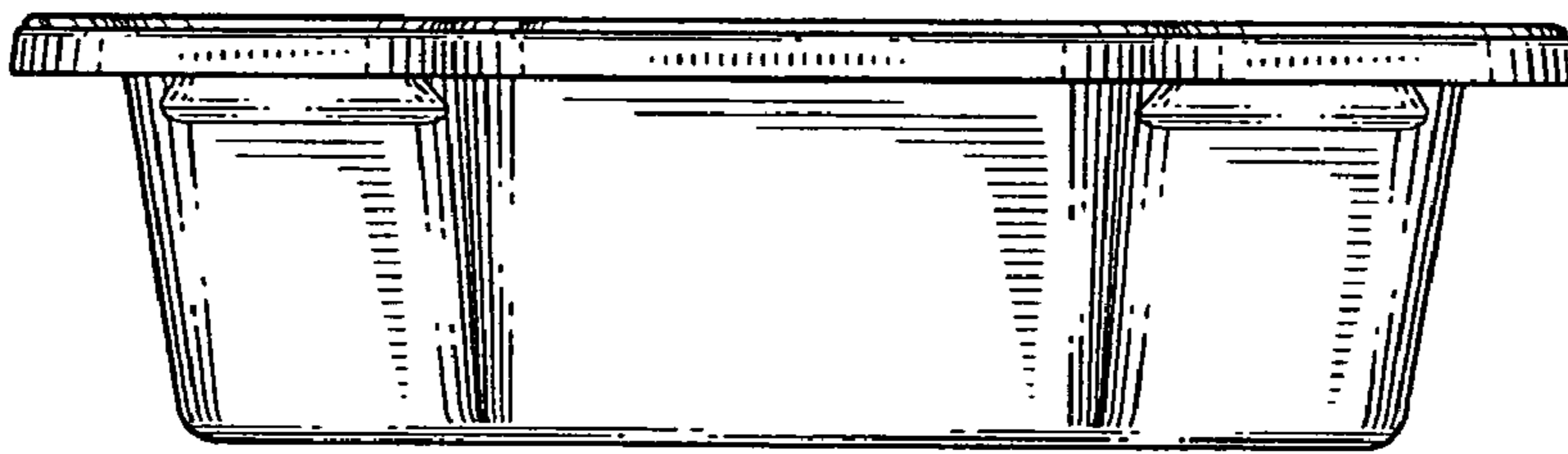


FIG. 5

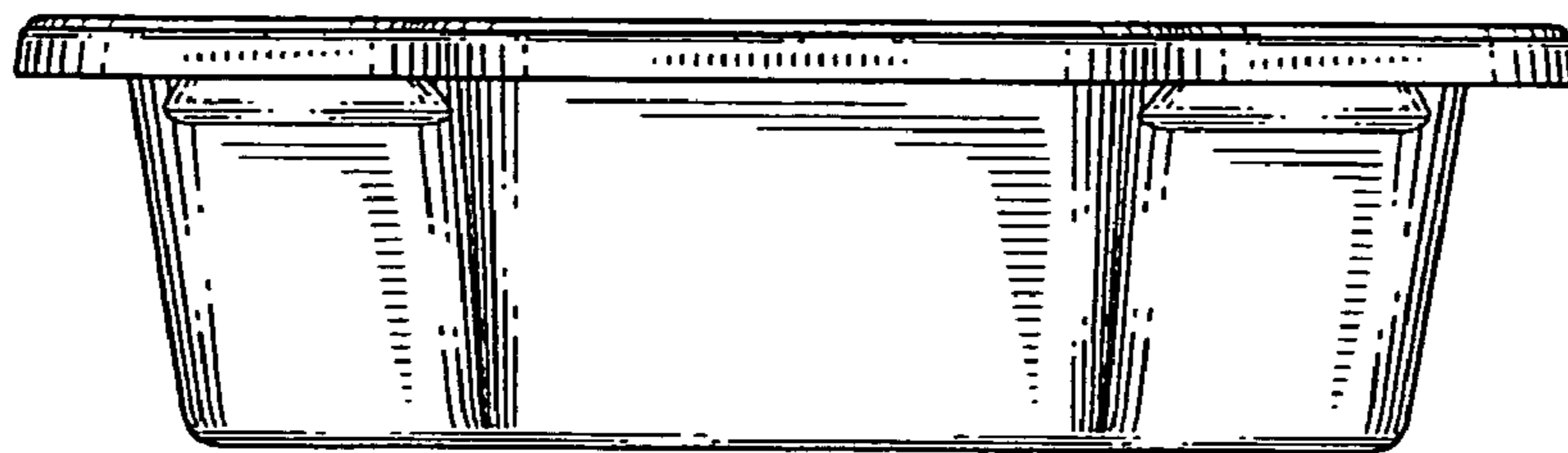


FIG. 6

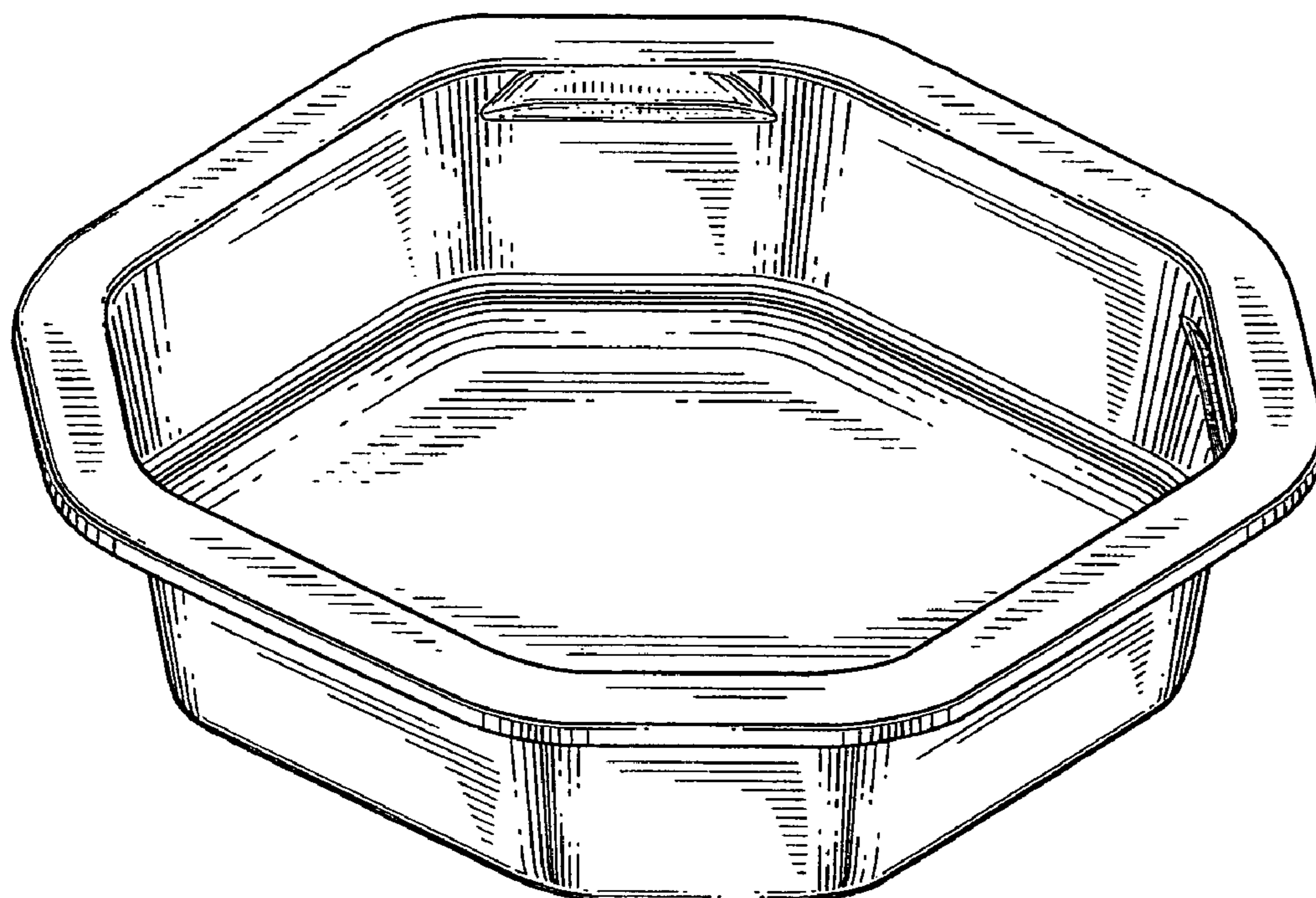


FIG. 7

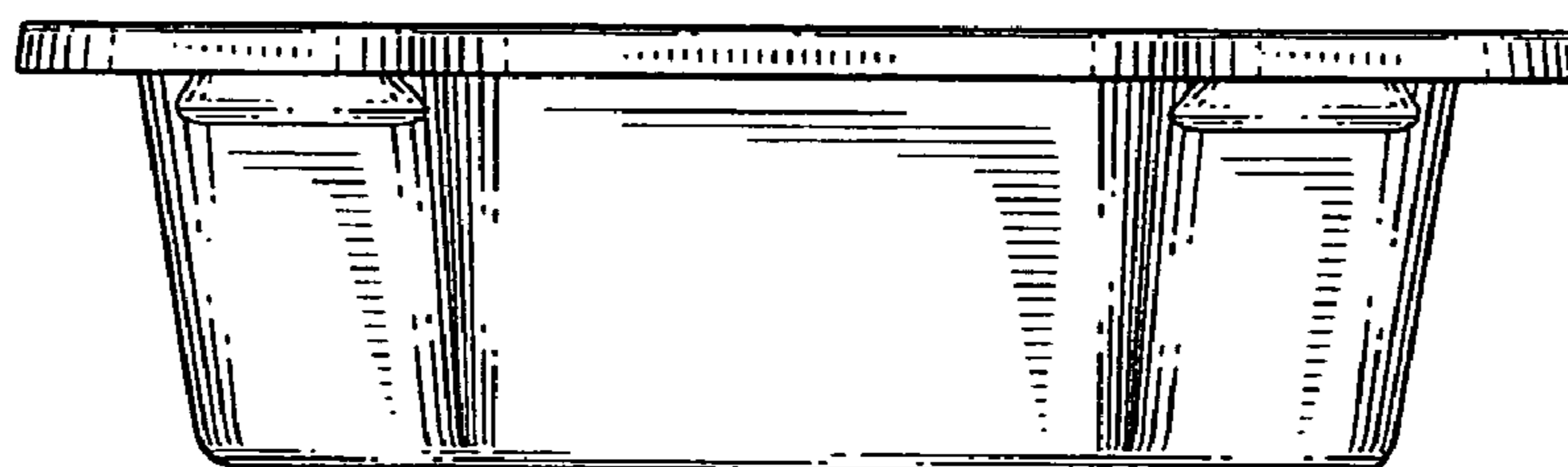


FIG. 8

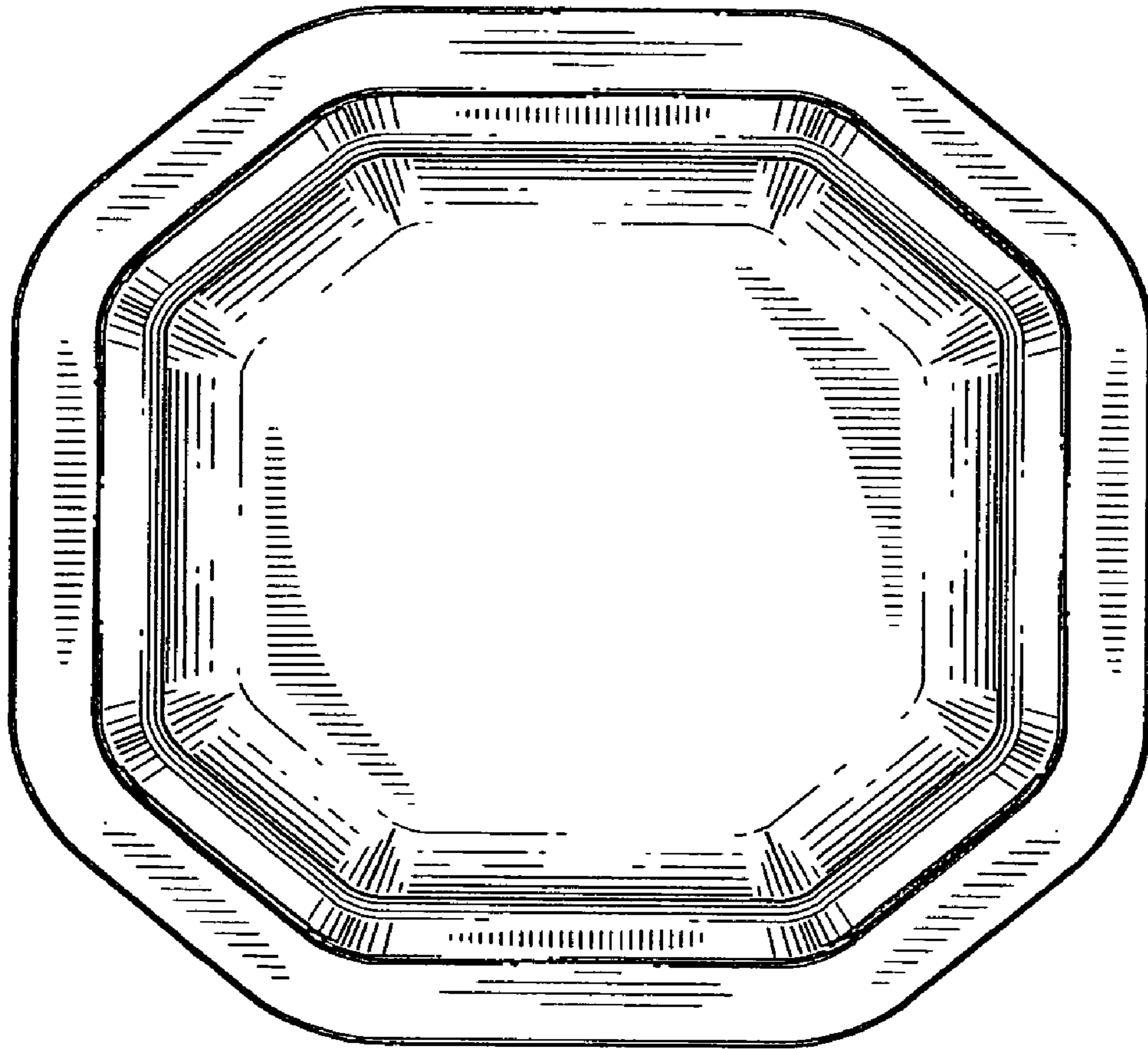


FIG. 9

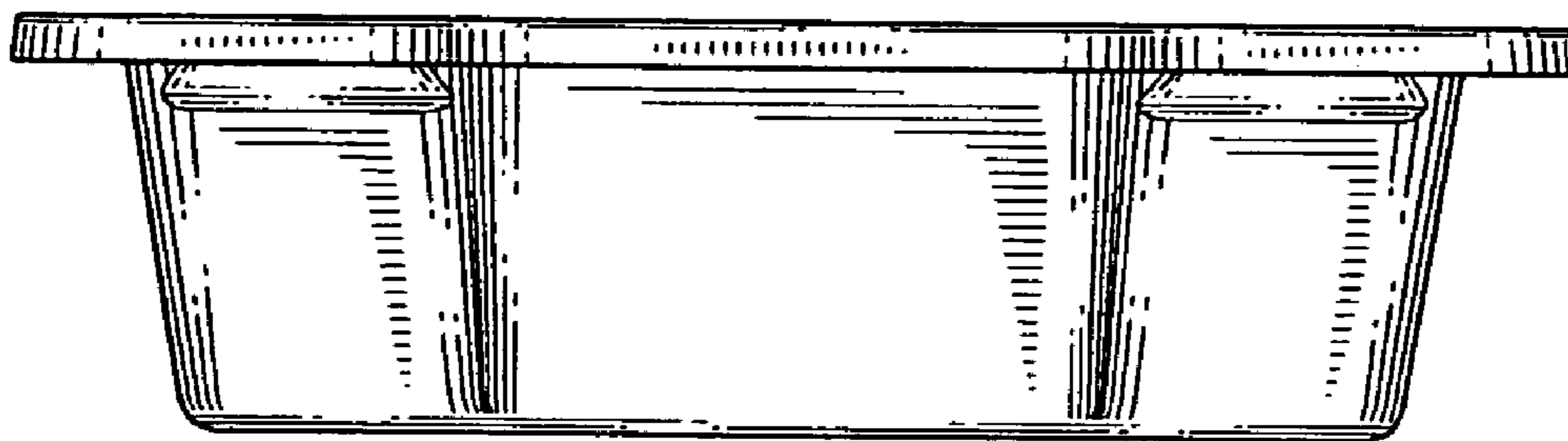


FIG. 10