



US00D551900S

(12) **United States Design Patent**
Glander et al.

(10) **Patent No.:** **US D551,900 S**

(45) **Date of Patent:** **** Oct. 2, 2007**

(54) **SERVING UTENSIL**

(75) Inventors: **Susan Ann Glander**, Birchwood, MN (US); **Timothy Andrew Bachman**, Saint Paul, MN (US)

(73) Assignee: **Covalence Specialty Materials Corp.**, Minneapolis, MN (US)

(**) Term: **14 Years**

(21) Appl. No.: **29/277,357**

(22) Filed: **Feb. 22, 2007**

Related U.S. Application Data

(62) Division of application No. 29/199,661, filed on Feb. 17, 2004.

(51) **LOC (8) Cl.** **07-02**

(52) **U.S. Cl.** **D7/393**

(58) **Field of Classification Search** D7/393-395, D7/683, 685-688, 401.2, 664; D8/4, 52, D8/107, 307; D4/138, 129; 16/110.1, 430, 16/431; 30/340; 294/3, 8.5, 11, 16, 99.2, 294/99.1, 119

See application file for complete search history.

(56) **References Cited**

U.S. PATENT DOCUMENTS

D266,640 S * 10/1982 Trombly D7/686

D284,440 S *	7/1986	Zieff	D7/686
D299,996 S *	2/1989	Tucker et al.	D7/686
D319,373 S *	8/1991	Kosurko	D7/686
D326,595 S *	6/1992	Badgerow et al.	D7/686
D368,630 S *	4/1996	Geise	D7/686
D442,440 S *	5/2001	Kaposi	D7/686
D442,835 S *	5/2001	Kaposi	D7/686
D445,317 S *	7/2001	Usbeck	D7/695
D461,379 S *	8/2002	Wang	D7/686

* cited by examiner

Primary Examiner—Holly H. Baynham
Assistant Examiner—Cynthia M. Chin
(74) *Attorney, Agent, or Firm*—Maldjian & Fallon LLC; John P. Maldjian; Jon Fallon

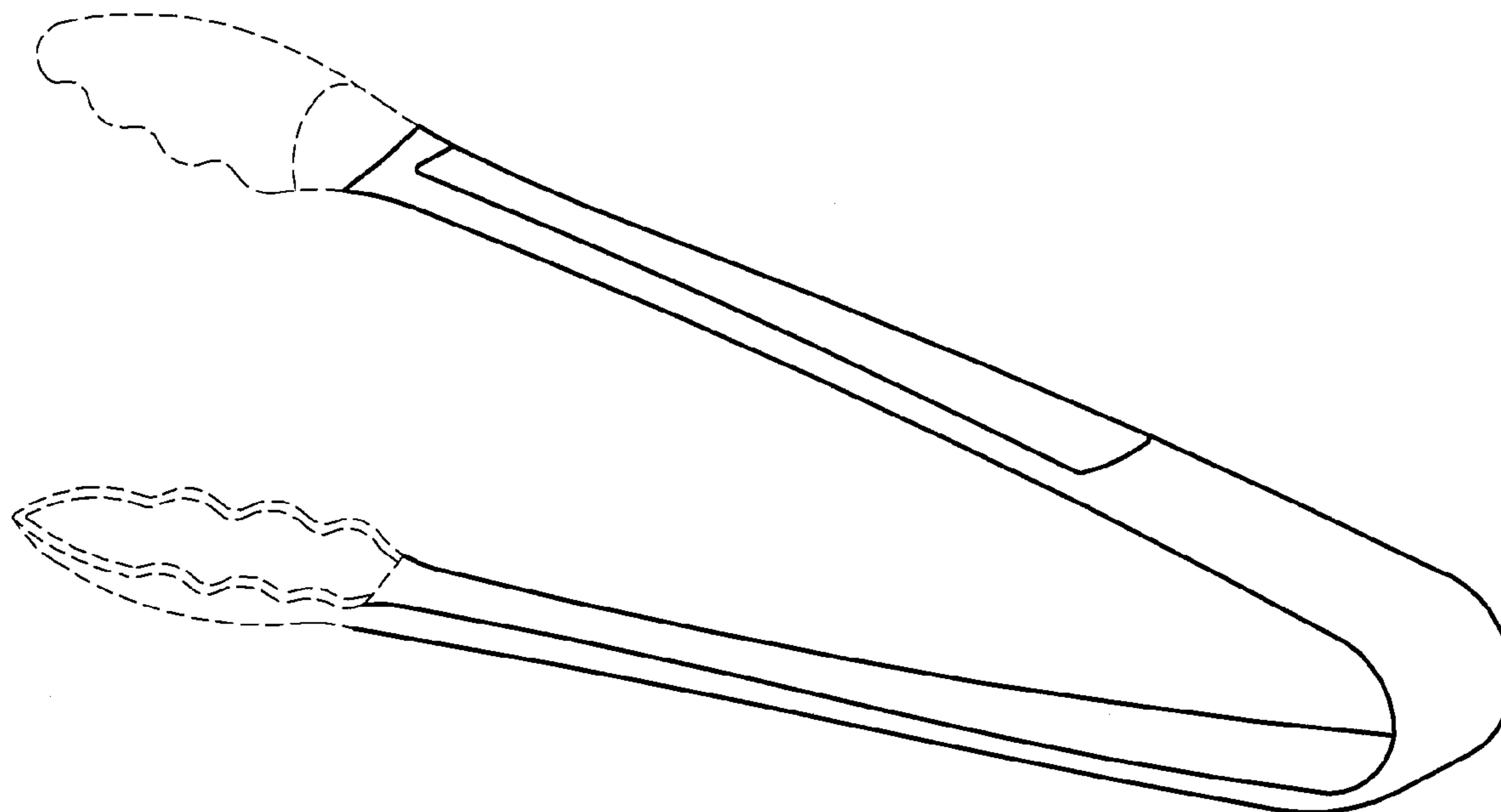
(57) **CLAIM**

The ornamental design for a serving utensil, as shown and described.

DESCRIPTION

FIG. 1 is a perspective view of the serving utensil; FIG. 2 is a side view of the serving utensil; and, FIG. 3 is a top view of the serving utensil, the bottom view being a mirror image thereof.

1 Claim, 3 Drawing Sheets



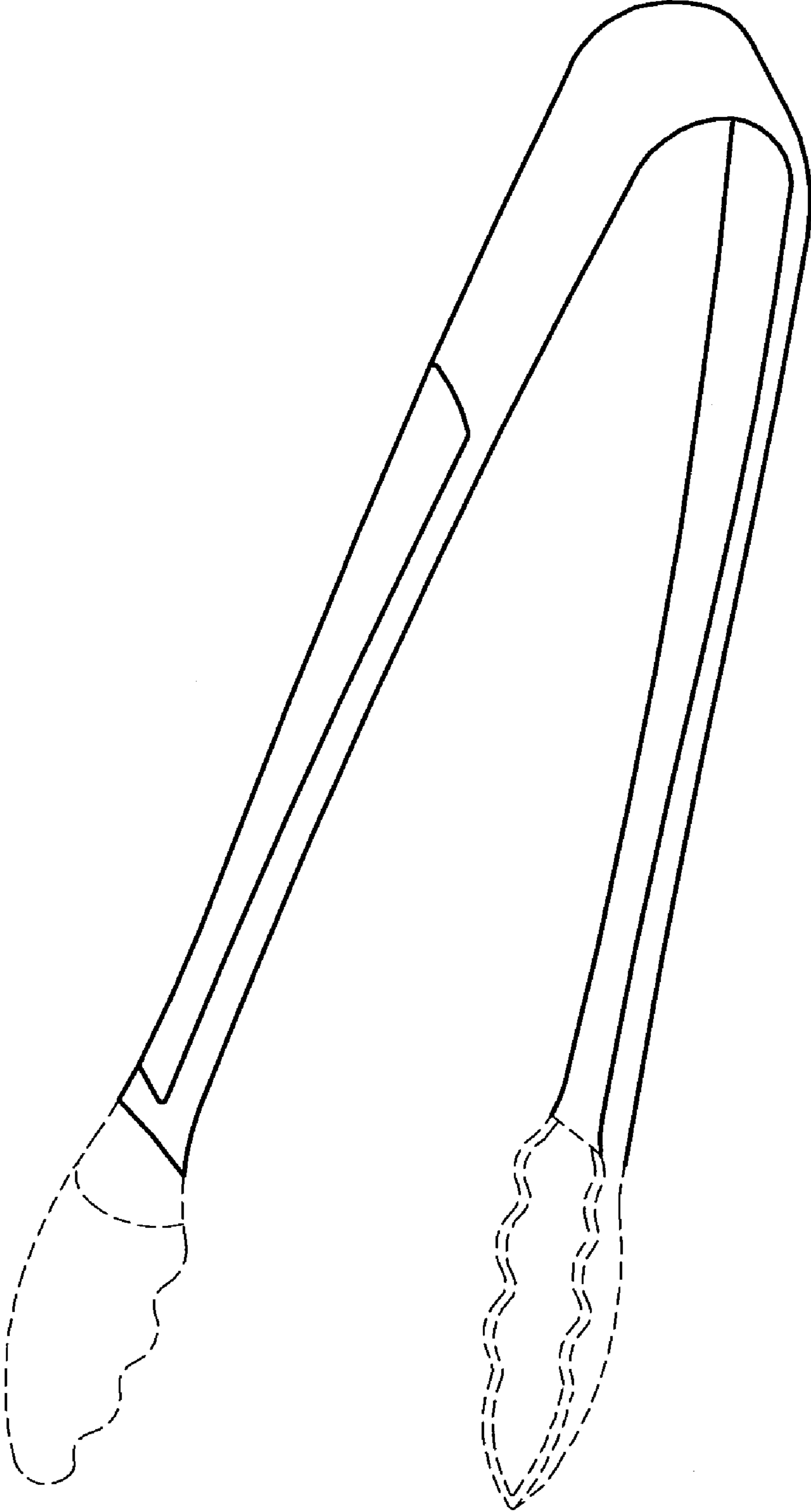


FIG. 1

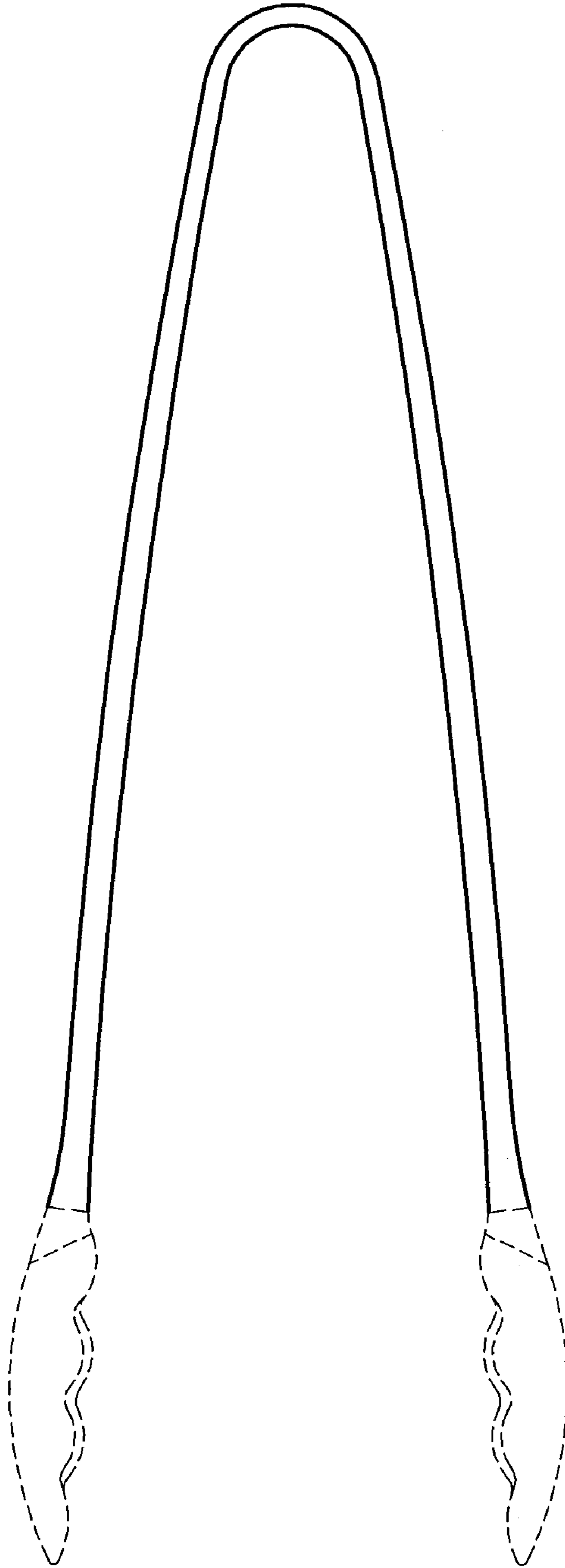


FIG. 2

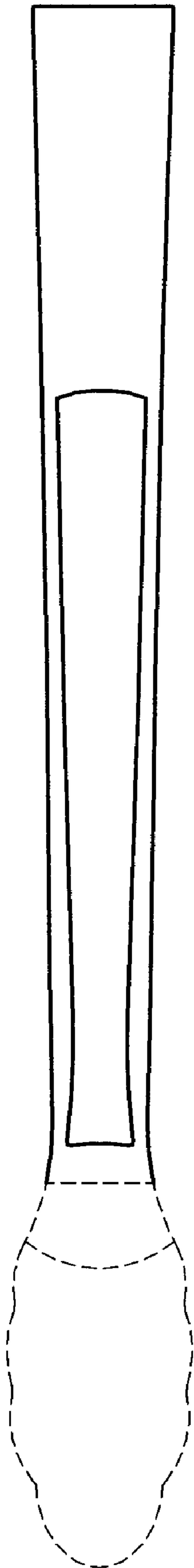


FIG. 3