



US00D551897S

(12) **United States Design Patent**
De Pra'

(10) **Patent No.:** **US D551,897 S**

(45) **Date of Patent:** **** Oct. 2, 2007**

(54) **FRYER**

2004/0154474 A1* 8/2004 Chan 99/407
2007/0028781 A1* 2/2007 Popeil et al. 99/407

(75) Inventor: **Dario De Pra'**, Mirano (IT)

* cited by examiner

(73) Assignee: **De' Longhi S.p.A.**, Treviso (IT)

Primary Examiner—Catherine R. Oliver

(**) Term: **14 Years**

(74) *Attorney, Agent, or Firm*—Hamre, Schumann, Mueller & Larson, P.C.

(21) Appl. No.: **29/267,204**

(57) **CLAIM**

(22) Filed: **Oct. 6, 2006**

The ornamental design for fryer, as shown and described.

(30) **Foreign Application Priority Data**

DESCRIPTION

Apr. 7, 2006 (EM) 000509989

FIG. 1 is a front view of a fryer in accordance with my invention thereof;

(51) **LOC (8) Cl.** **07-02**

FIG. 2 is a left side view thereof;

(52) **U.S. Cl.** **D7/339**

FIG. 3 is a right side view thereof;

(58) **Field of Classification Search** D7/339,

FIG. 4 is a back view thereof;

D7/347, 340–341, 350; 99/331, 336–337,

FIG. 5 is a top view thereof;

99/403, 407–408, 410, 416; 219/440–441

FIG. 6 is a bottom view thereof;

See application file for complete search history.

FIG. 7 is a front-perspective view thereof;

(56) **References Cited**

FIG. 8 is a front-perspective view thereof, in an opened condition; and,

U.S. PATENT DOCUMENTS

FIG. 9 is a front-perspective thereof, in an opened condition, with the basket partially lifted.

D218,498 S * 8/1970 Wilson D7/347

D335,420 S * 5/1993 Moore D7/347

D343,090 S * 1/1994 Connell D7/339

D351,966 S * 11/1994 King D7/339

D434,593 S * 12/2000 Werts D7/347

1 Claim, 3 Drawing Sheets

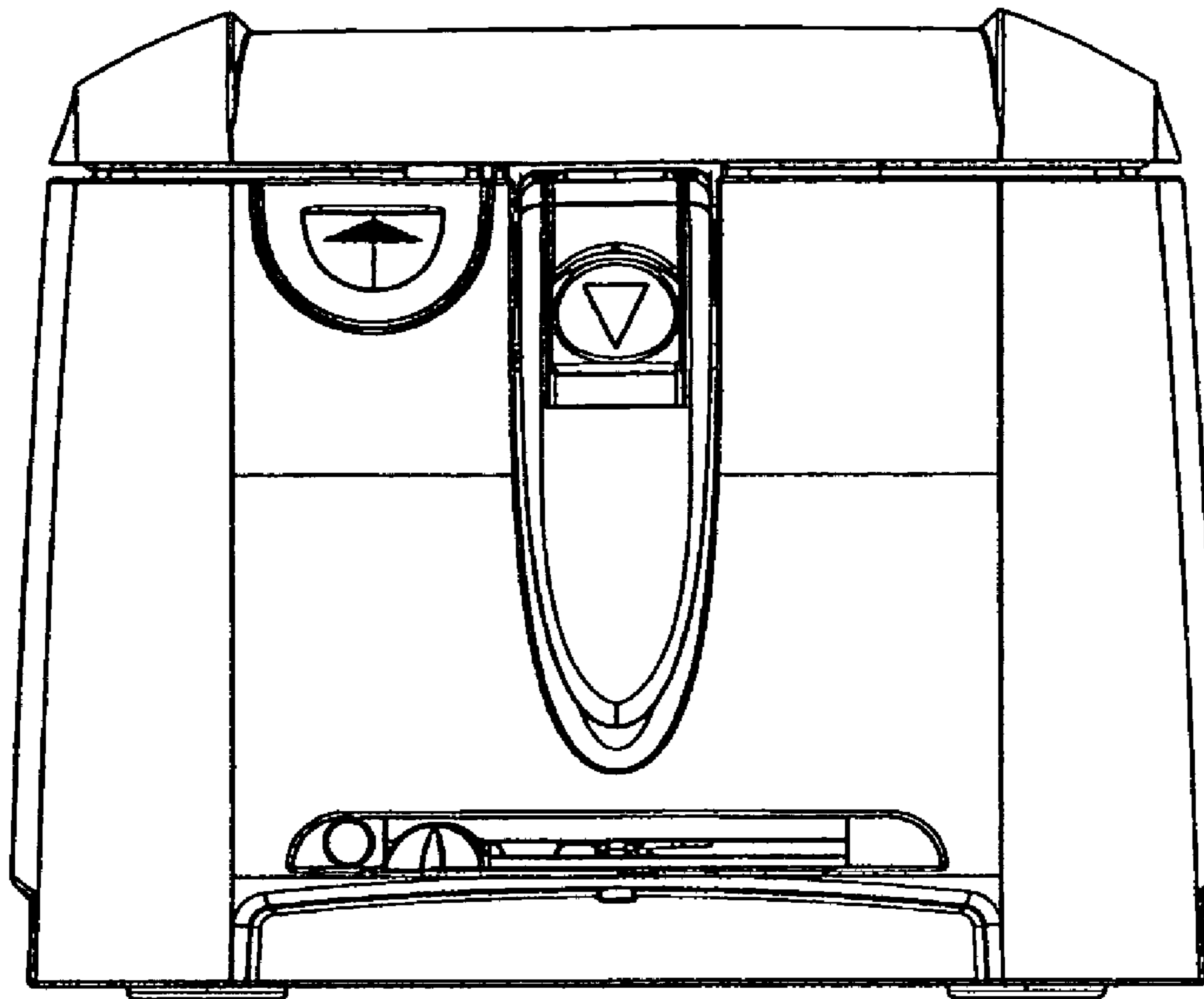


Fig. 1

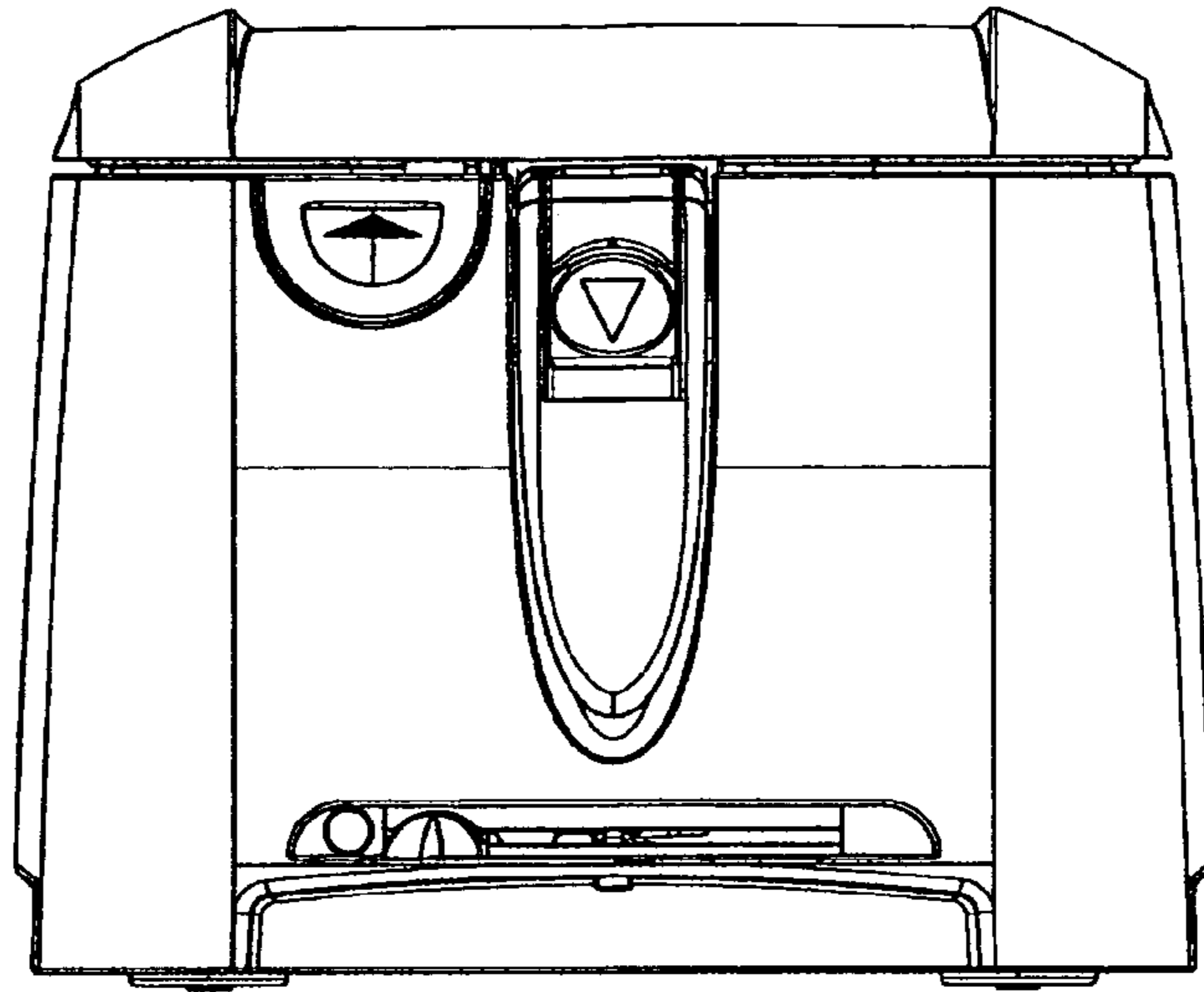


Fig. 2

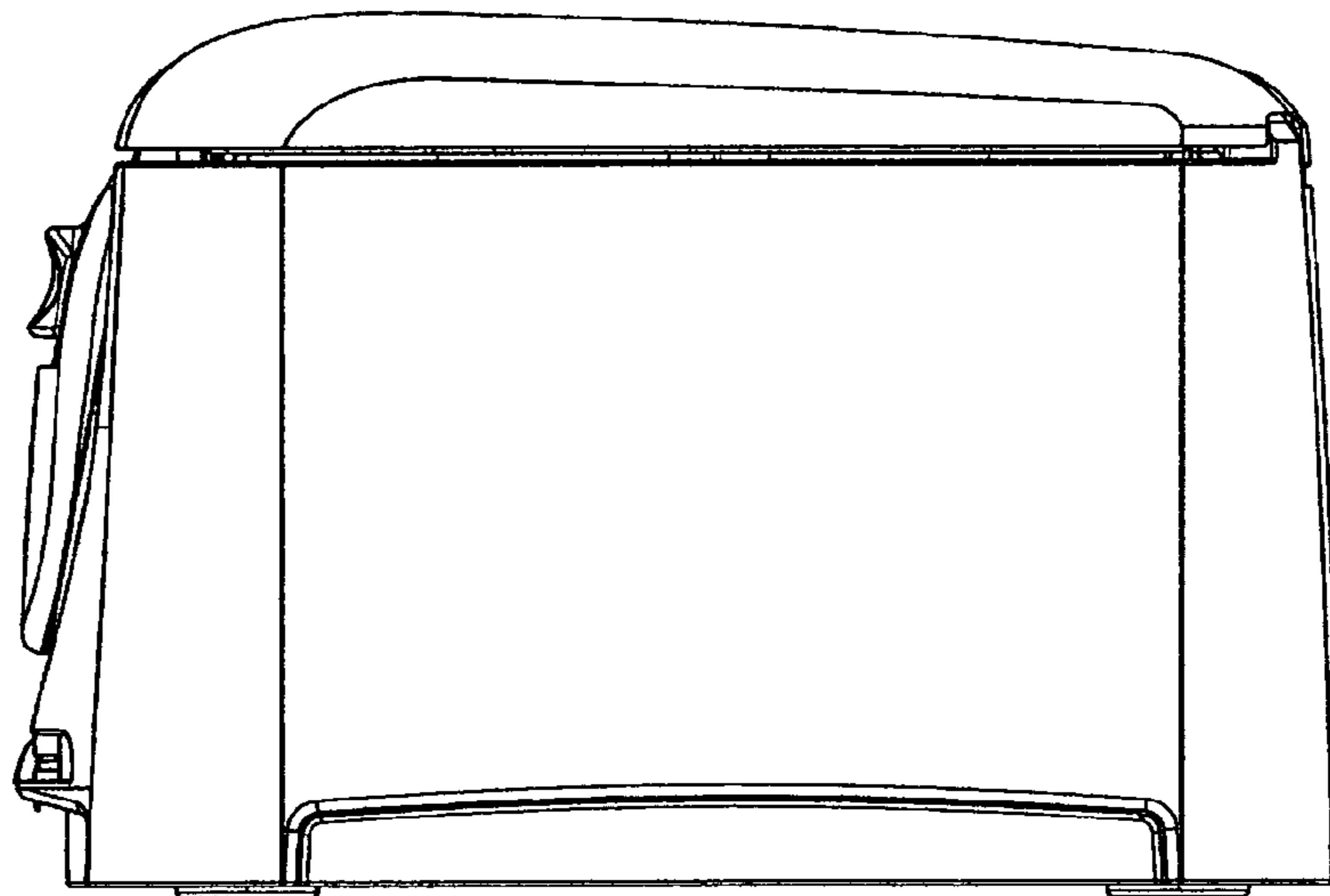


Fig. 3

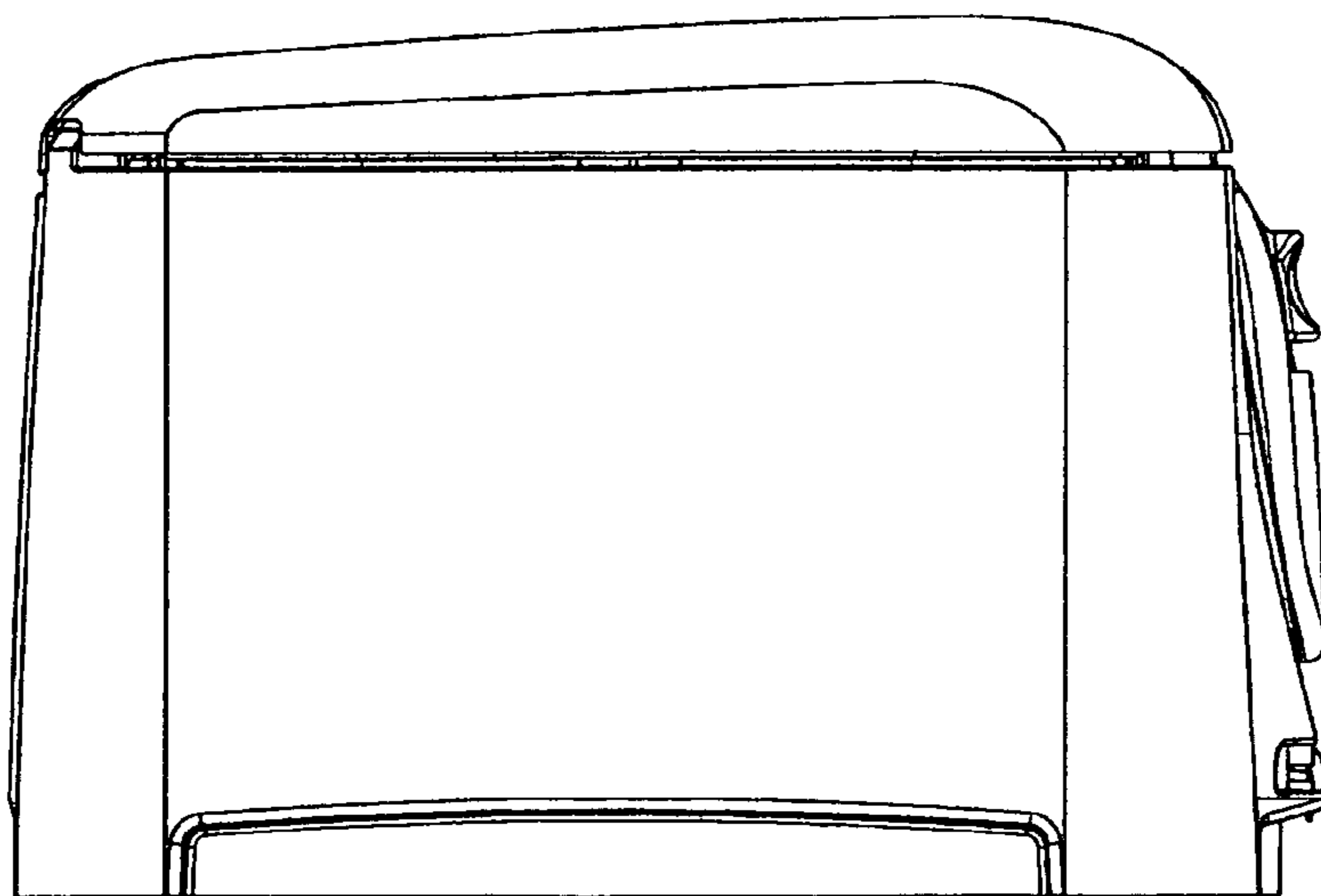


Fig. 4

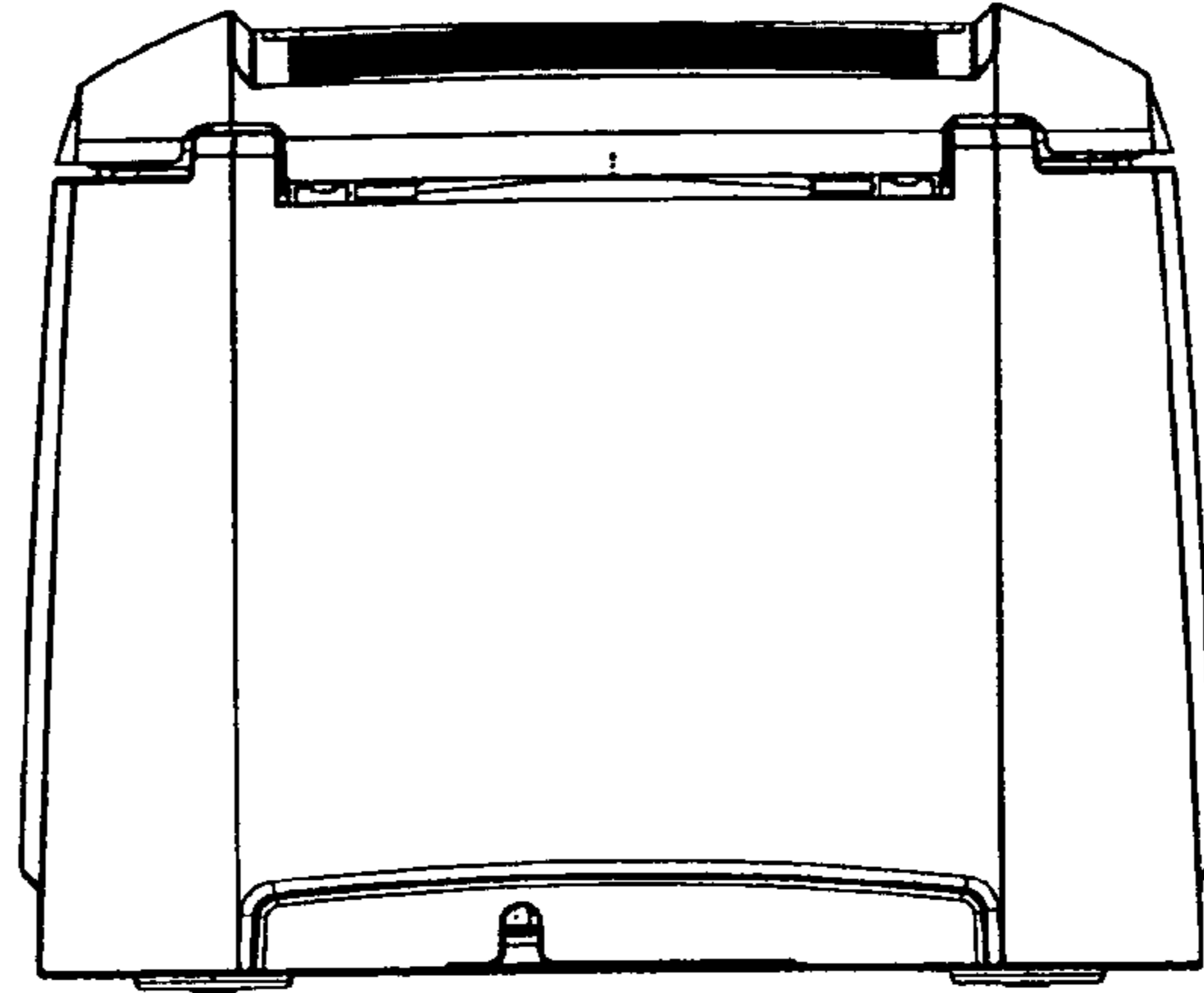


Fig. 5

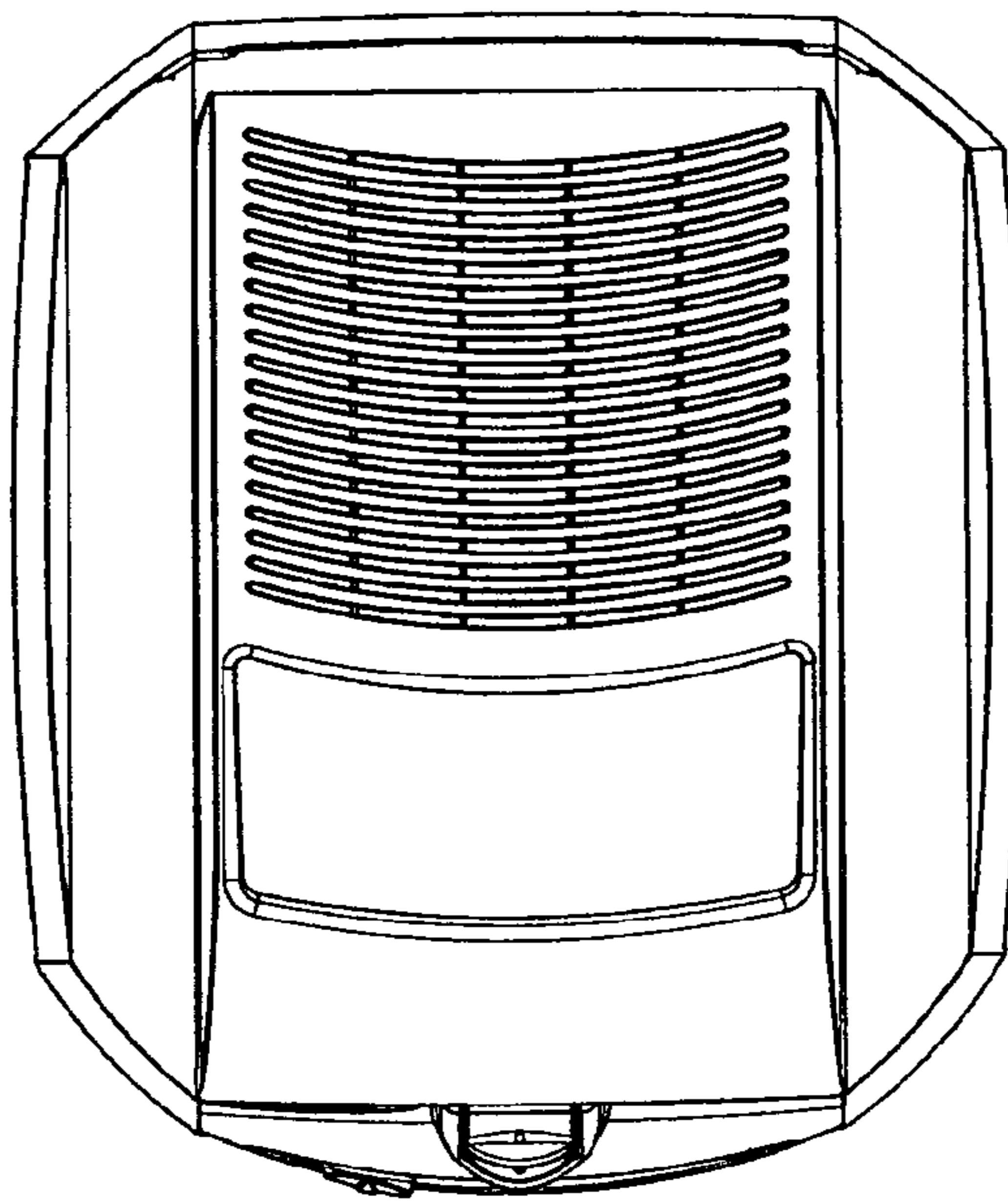


Fig. 6

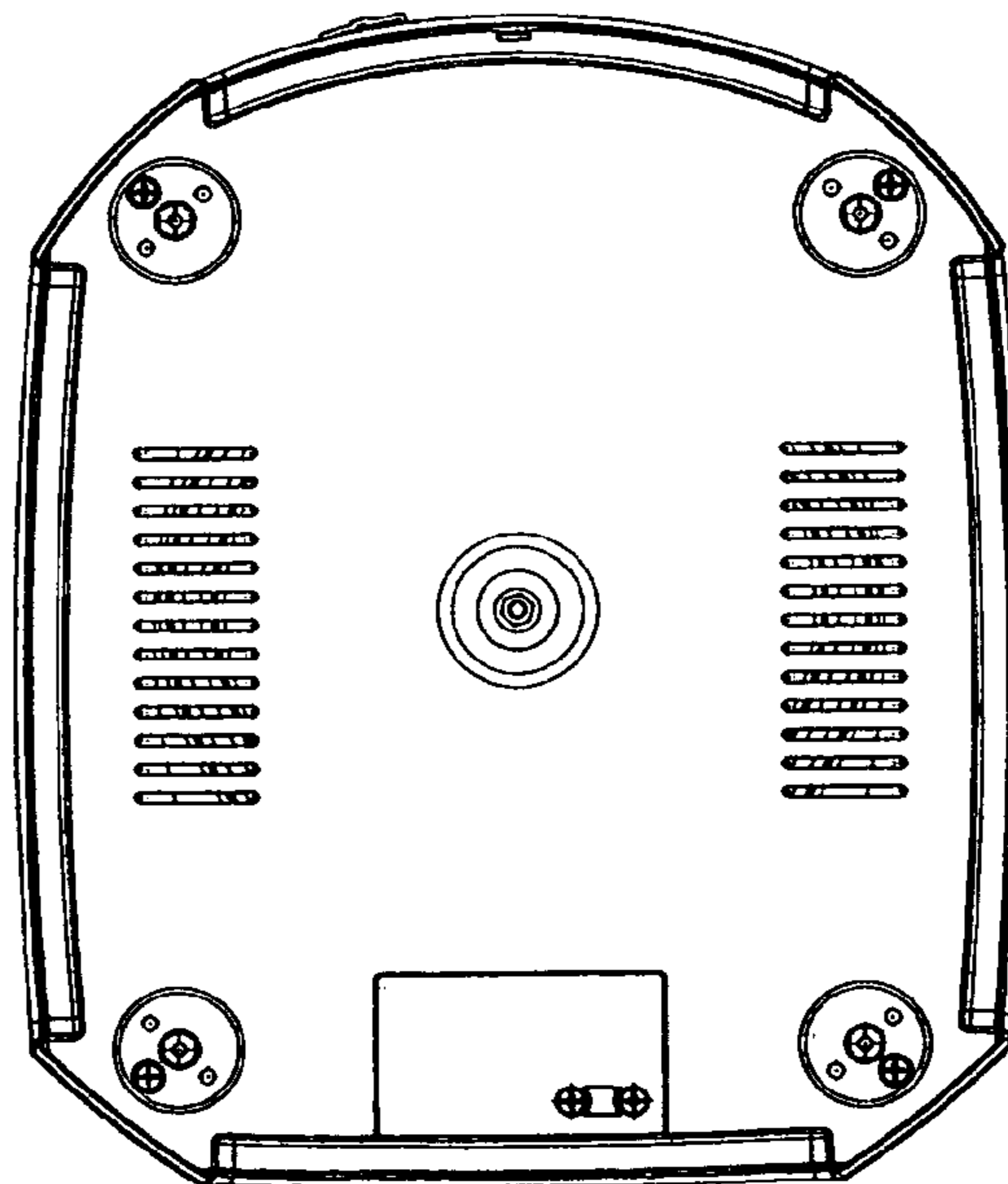


Fig. 7

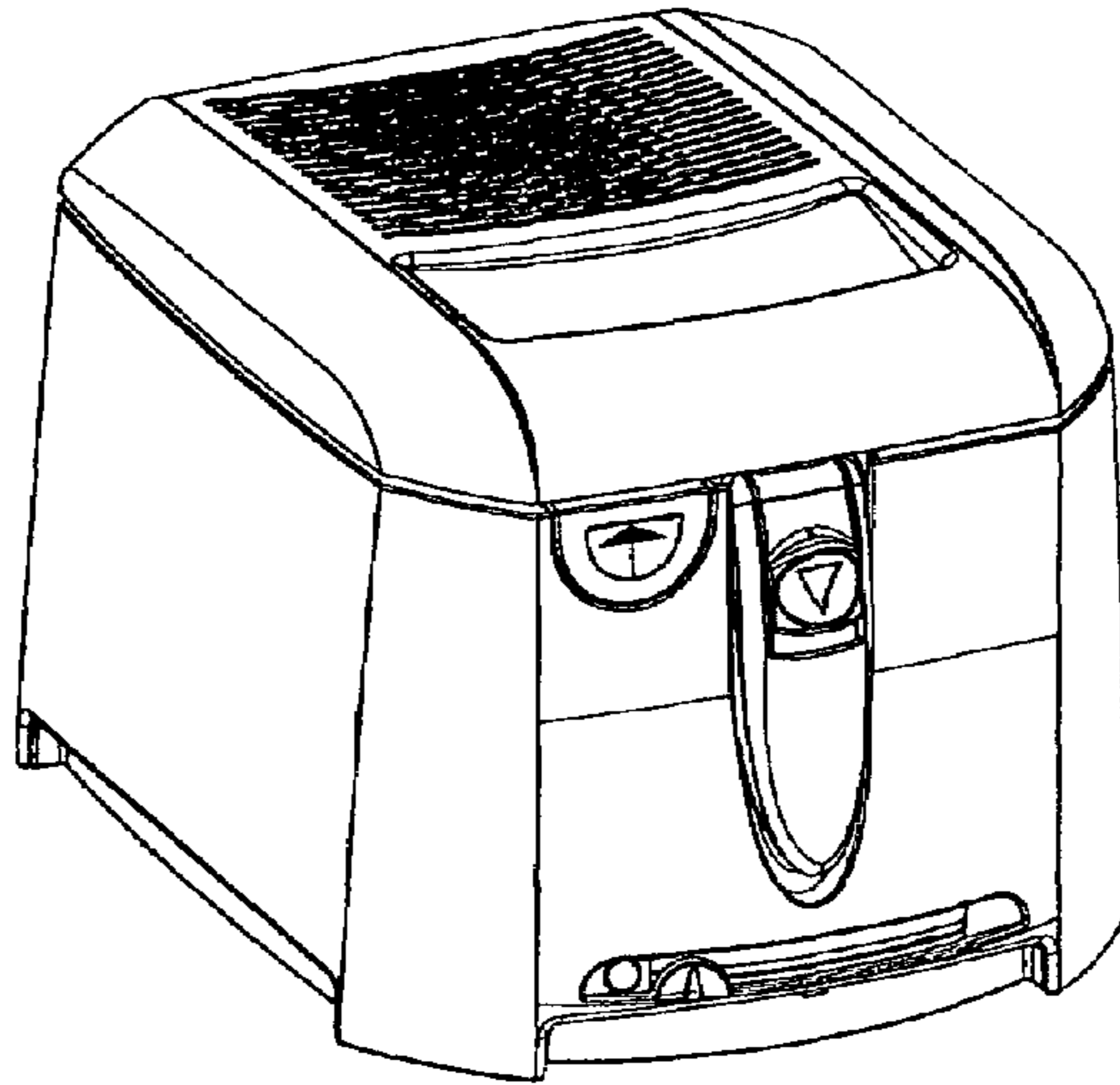


Fig. 8

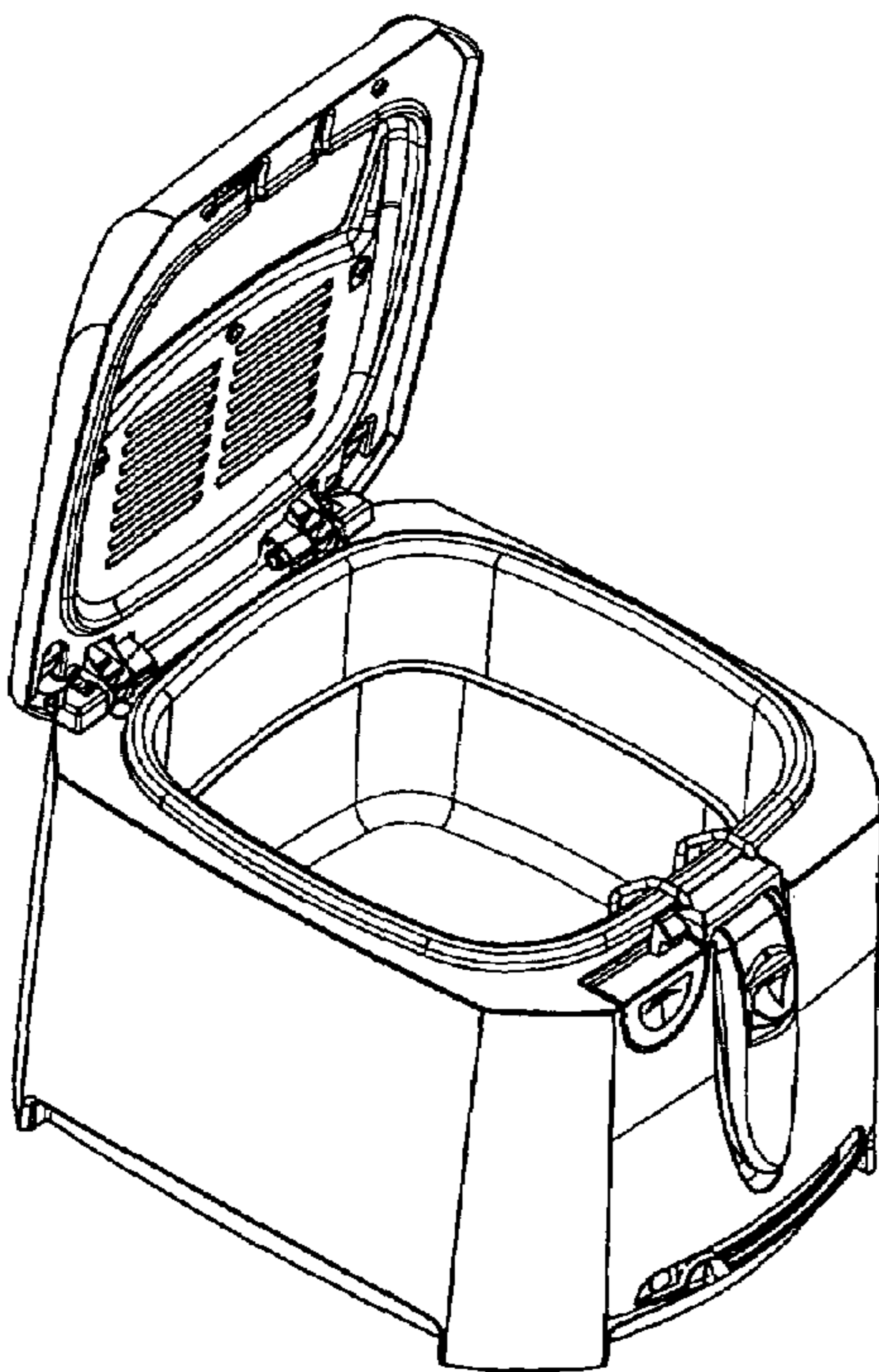


Fig. 9

