

US00D551896S

(12) **United States Design Patent**
Misceo et al.

(10) **Patent No.:** **US D551,896 S**
(45) **Date of Patent:** **** Oct. 2, 2007**

(54) **COMBINED COOKING AND BAKING GRILL**

(57) **CLAIM**

(76) Inventors: **Vincenzo Miscio**, 3083 Plymouth Drive, North Vancouver, British Columbia (CA) V7H 1C8; **Raffaele Miscio**, 8093 Government Road, Burnaby, British Columbia (CA) V6A 2E1; **Alexander J. Feldman**, 2177 Williams Street, Vancouver, British Columbia (CA) V5L 2S2; **Herb Bentz**, 1343 129A Street, Surrey, British Columbia (CA) V4A 3Y5

The ornamental design for a combined cooking or baking grill, as shown and described.

DESCRIPTION

FIG. 1 is a perspective view of the design;
FIG. 2 is a top view of the design;
FIG. 3 is a front view of the design;
FIG. 4 is a right side view of the design, the left side view being a mirror image thereof;
FIG. 5 is a rear view of the design;
FIG. 6 is a perspective view of the design in a first extended position;
FIG. 7 is a top view of the design shown in FIG. 6;
FIG. 8 is a front view of the design shown in FIG. 6;
FIG. 9 is a right side view of the design shown in FIG. 6, the left side view being a mirror image thereof.
FIG. 10 is a rear view of the design shown in FIG. 6;
FIG. 11 is a perspective view of the design in a second extended position;
FIG. 12 is a top view of the design shown in FIG. 11;
FIG. 13 is a front view of the design shown in FIG. 11;
FIG. 14 is a right side view of the design shown in FIG. 11, the left side view being a mirror image thereof.
FIG. 15 is a rear view of the design shown in FIG. 11;
FIG. 16 is a perspective view of a second embodiment of the design, in a first extended position;
FIG. 17 is a top view of the second embodiment shown in FIG. 16;
FIG. 18 is a front view of the second embodiment shown in FIG. 16;
FIG. 19 is a right side view of the second embodiment shown in FIG. 16; and
FIG. 20 is a rear view of the second embodiment shown in FIG. 16.

(**) Term: **14 Years**

(21) Appl. No.: **29/238,878**

(22) Filed: **Sep. 23, 2005**

(51) **LOC (8) Cl.** **07-02**

(52) **U.S. Cl.** **D7/323**

(58) **Field of Classification Search** D7/323,
D7/352-363, 332-339; 99/219, 331, 339,
99/349, 369, 372-375, 385-386; 219/524-525,
219/620-622, 732-734
See application file for complete search history.

(56) **References Cited**

U.S. PATENT DOCUMENTS

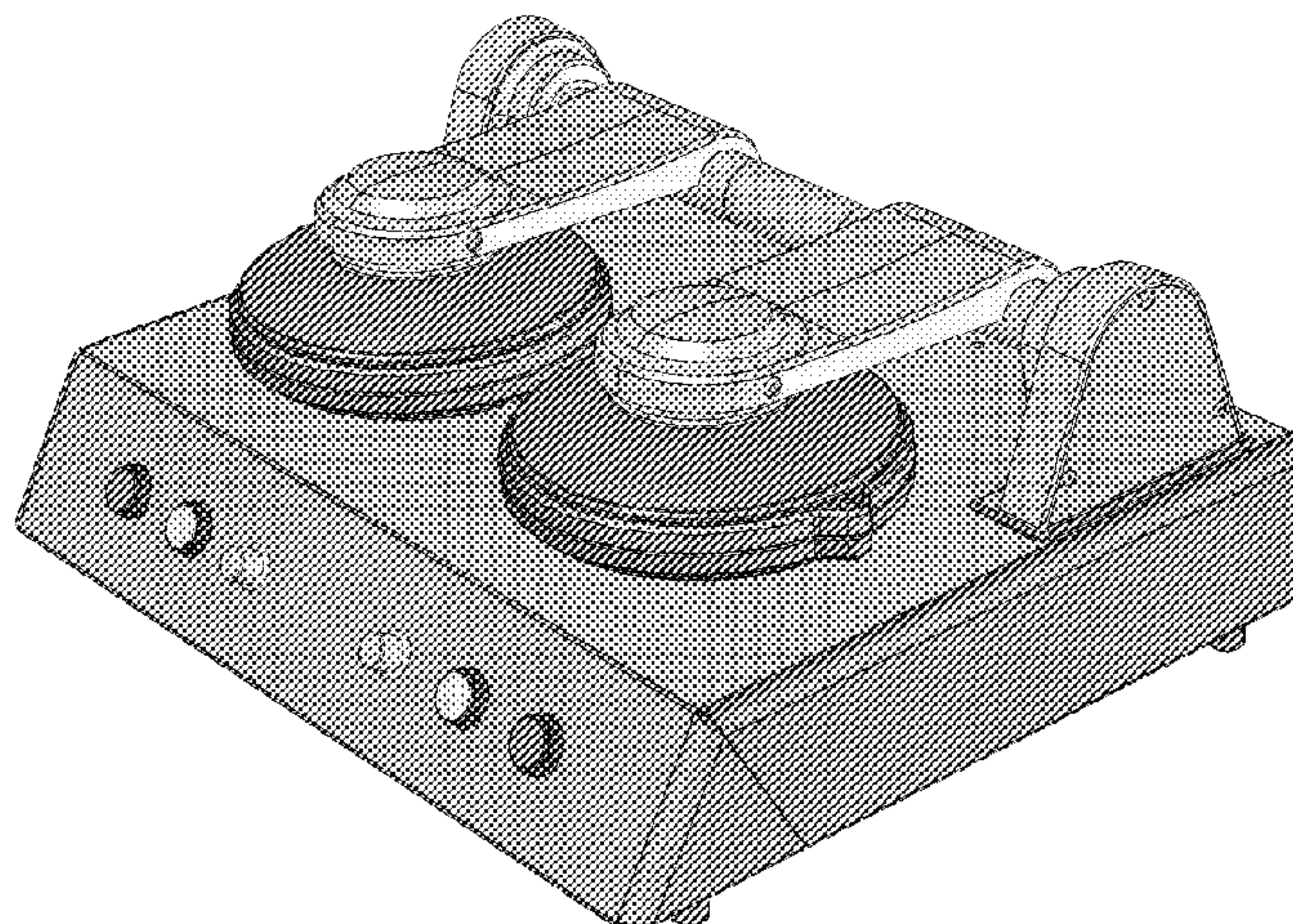
D227,178 S *	6/1973	Dunning	D7/323
D347,548 S *	6/1994	Boehm et al.	D7/352
D380,642 S *	7/1997	Negru	D7/323
D415,923 S *	11/1999	Hermansson	D7/323
D532,646 S *	11/2006	Moore	D7/352

* cited by examiner

Primary Examiner—Catherine R. Oliver

(74) *Attorney, Agent, or Firm*—Oven Wiggs Green & Mutala LLP

1 Claim, 4 Drawing Sheets



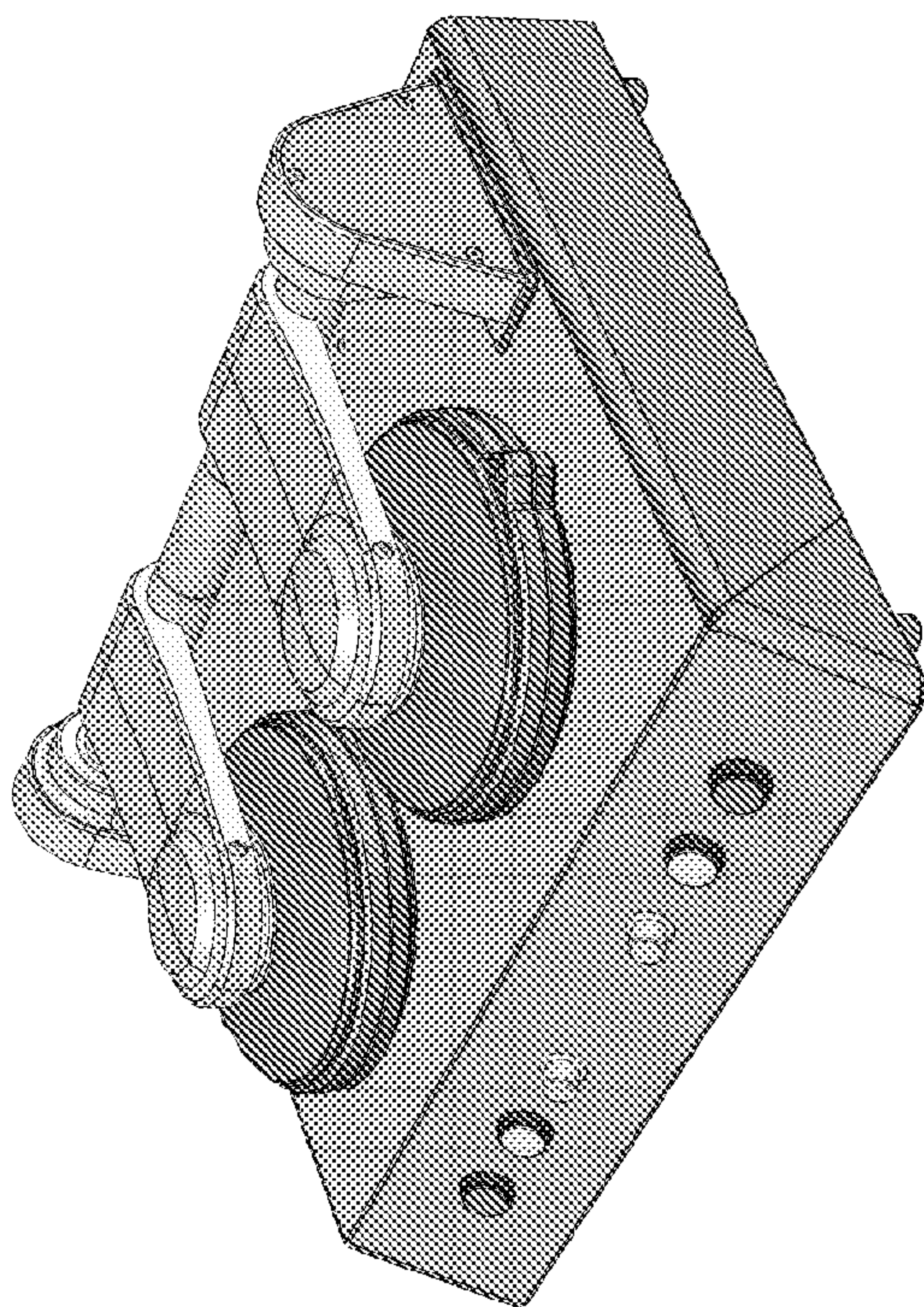


FIG. 1

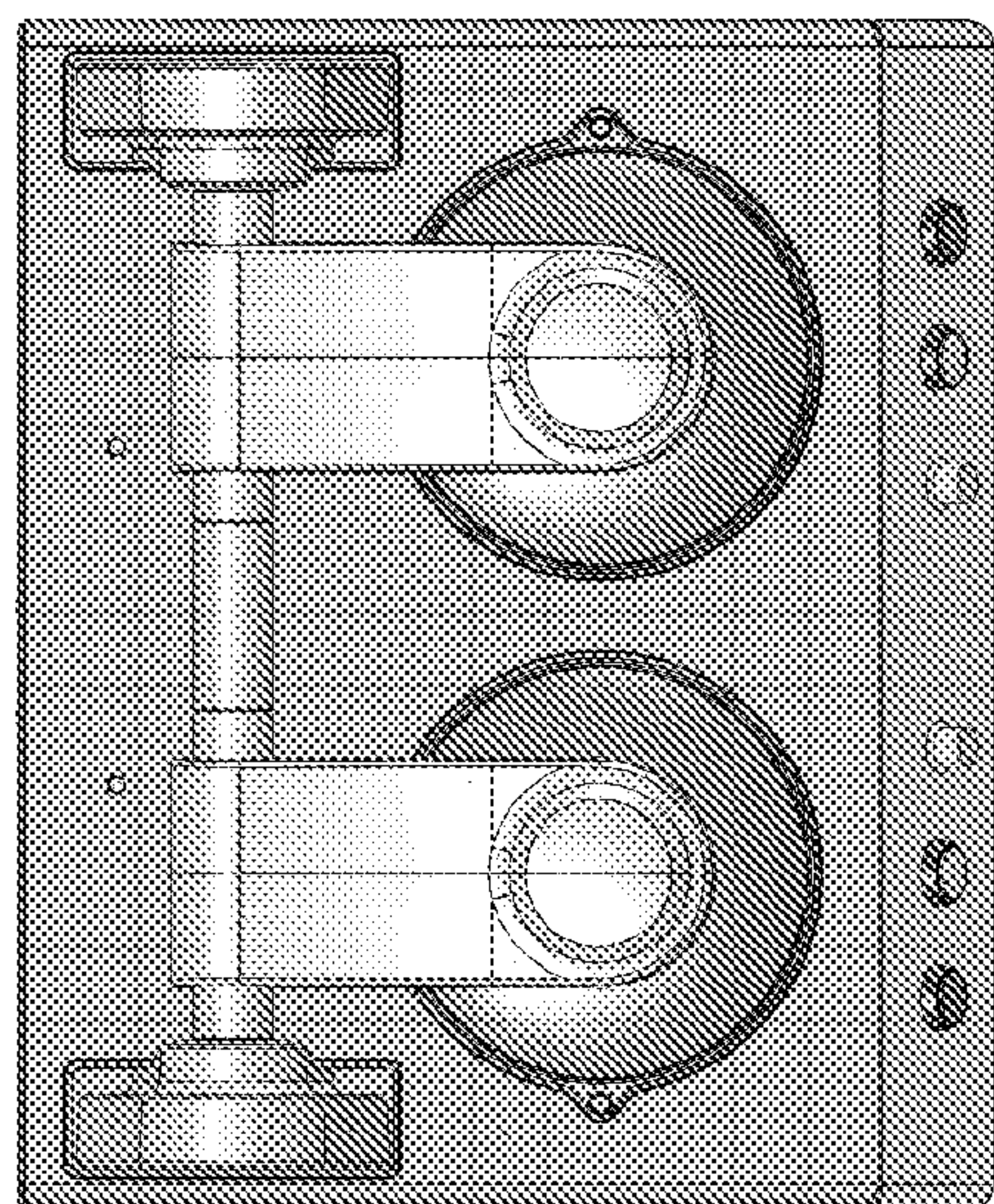


FIG. 2

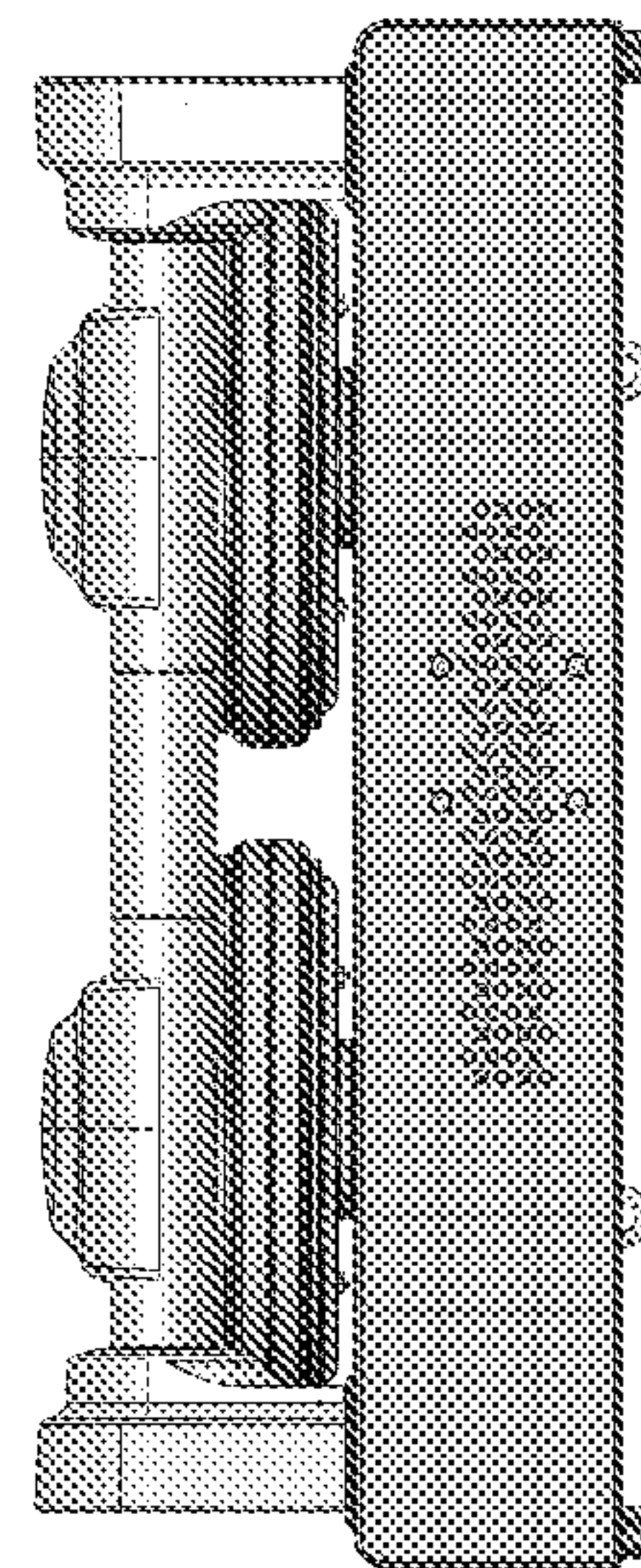


FIG. 3

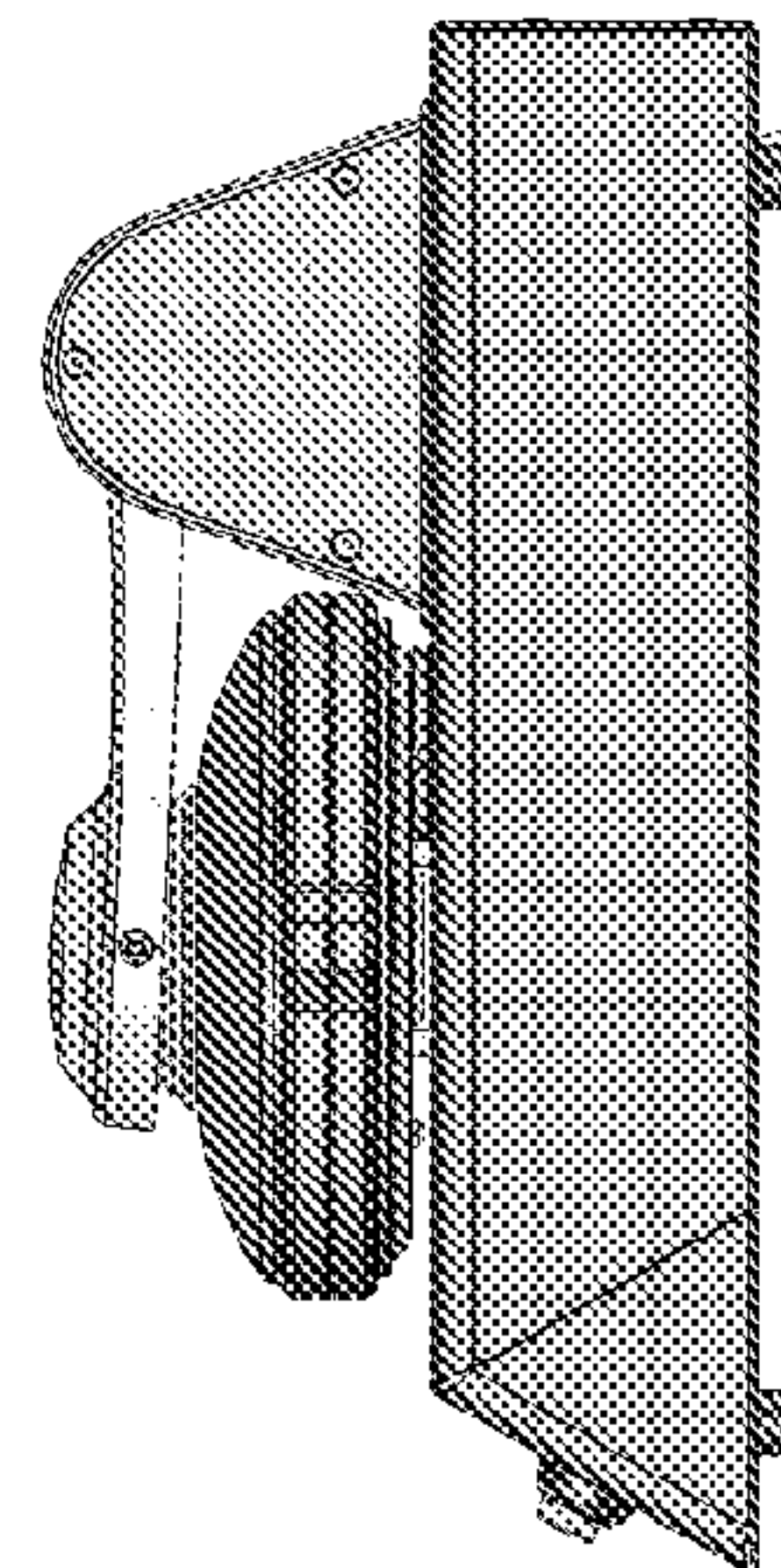


FIG. 4

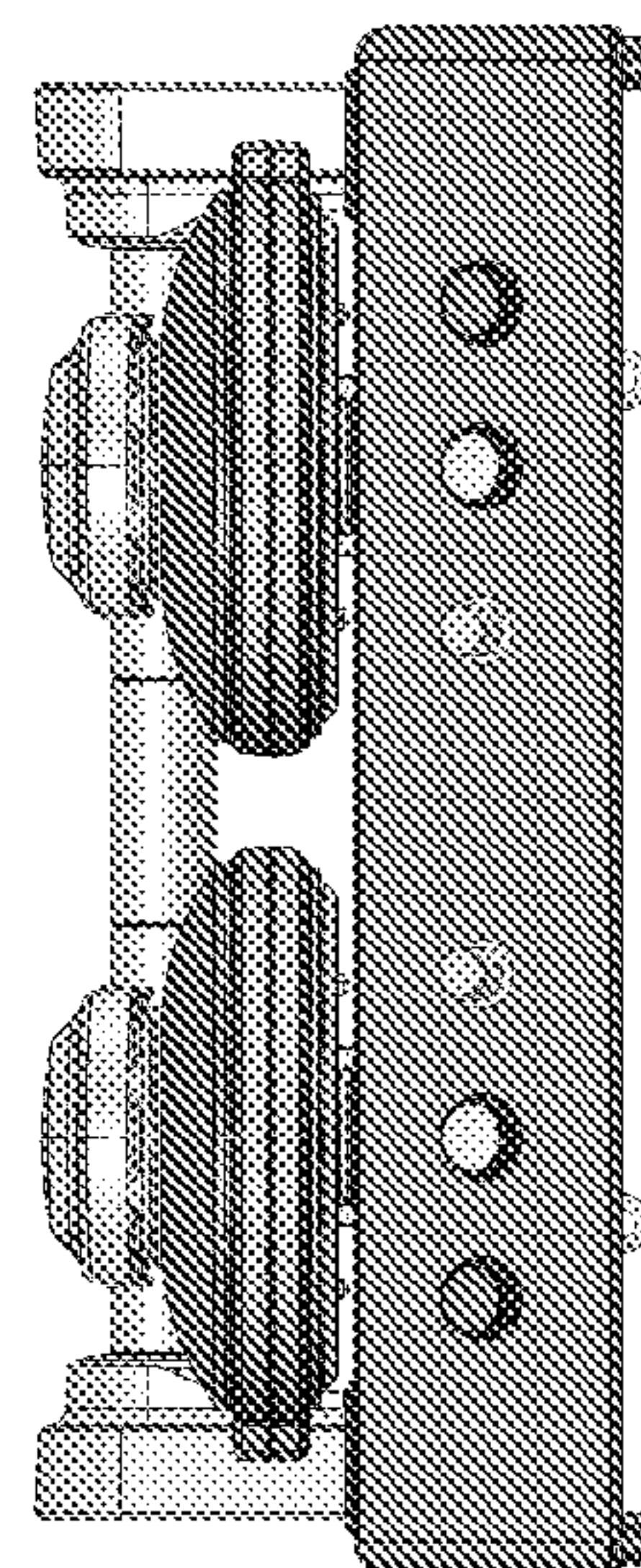


FIG. 5

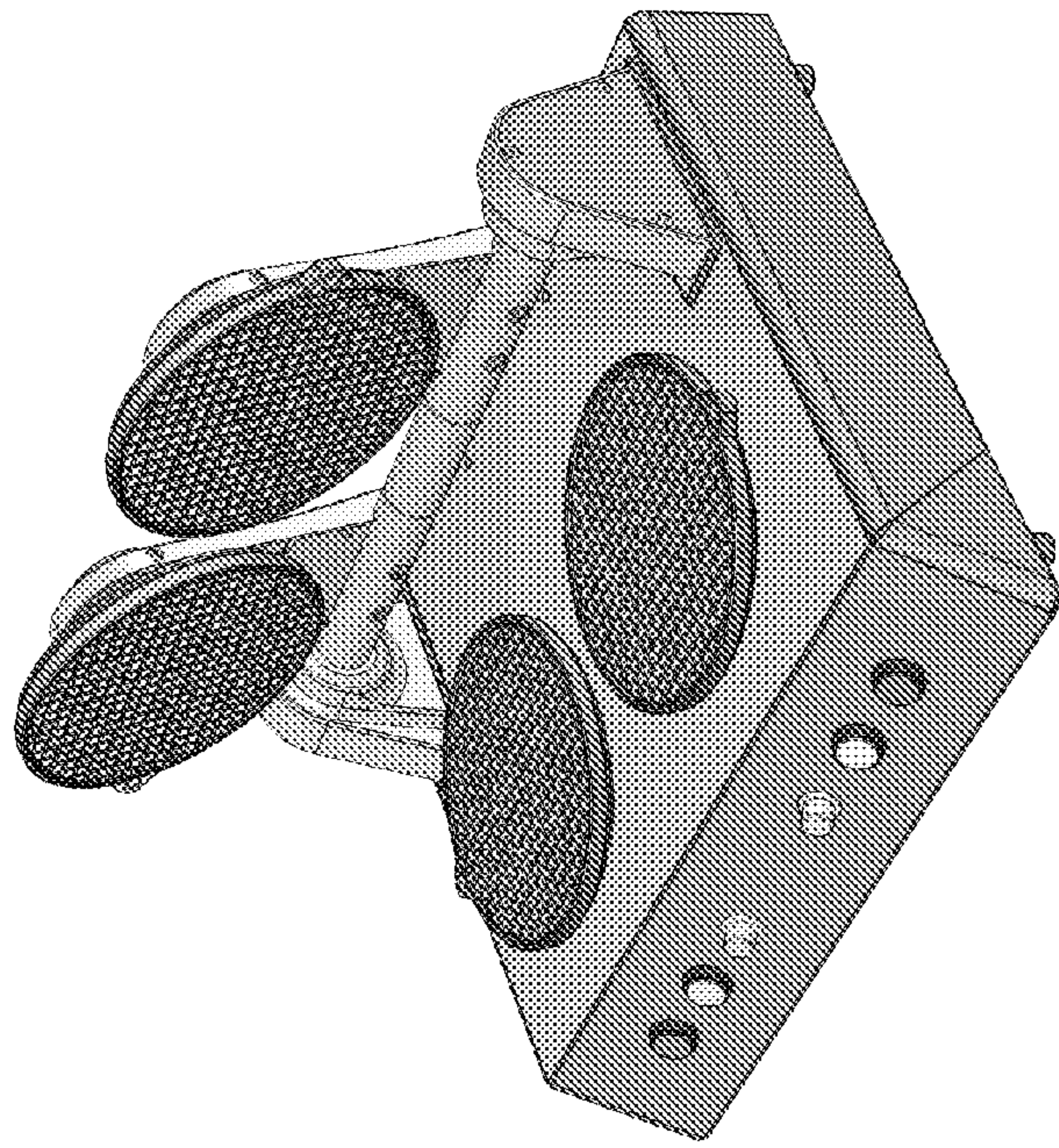


FIG. 6

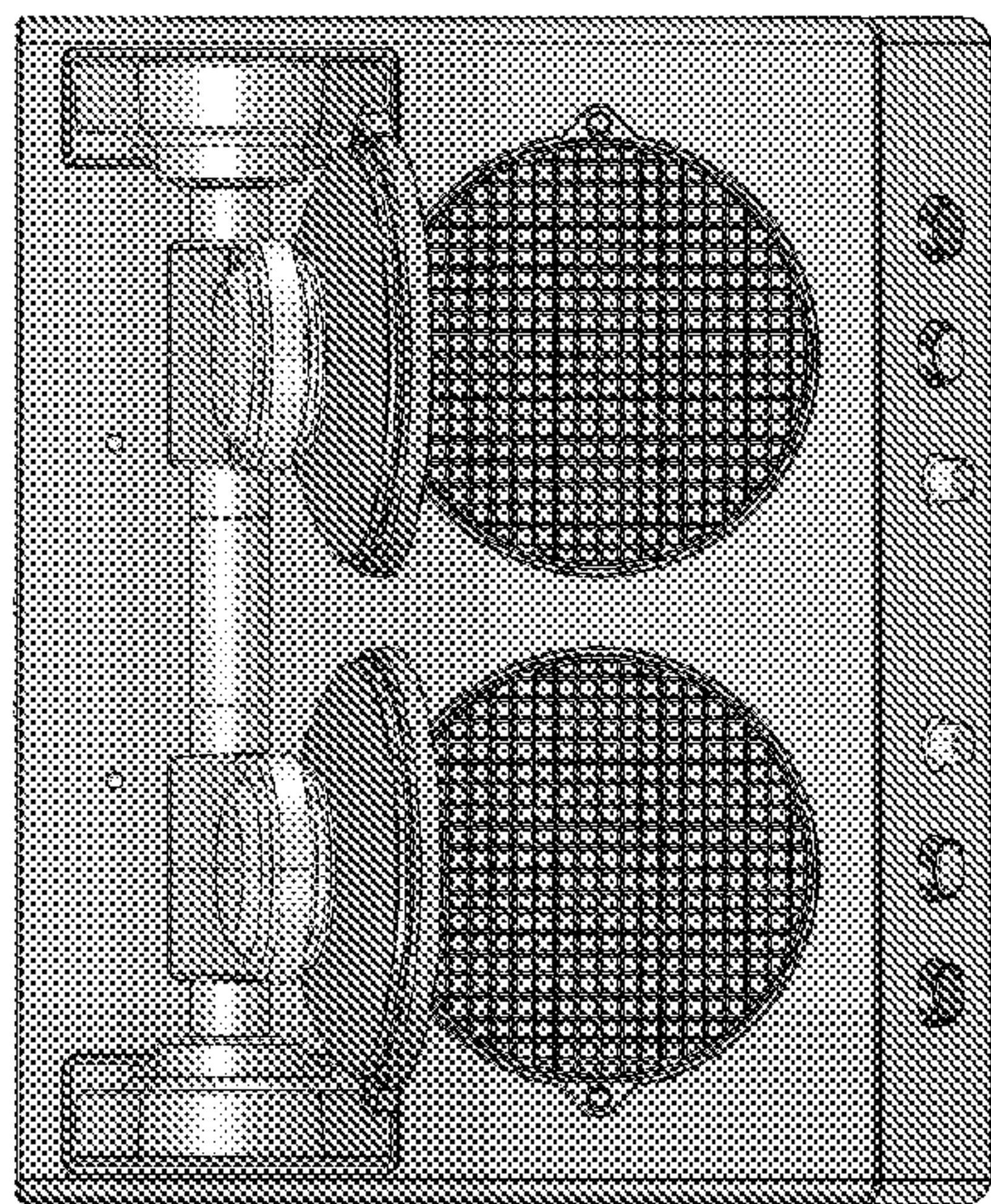


FIG. 7

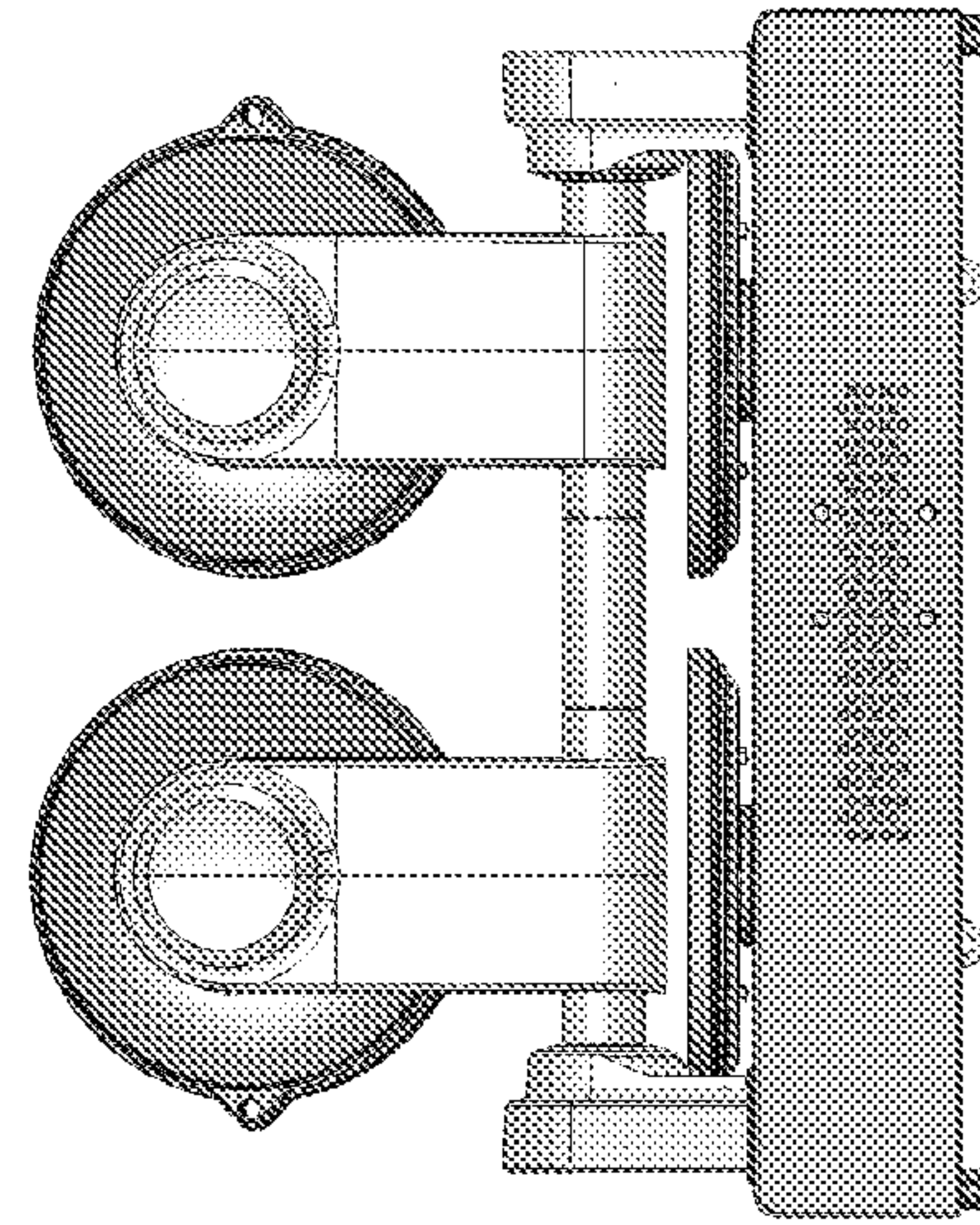


FIG. 10

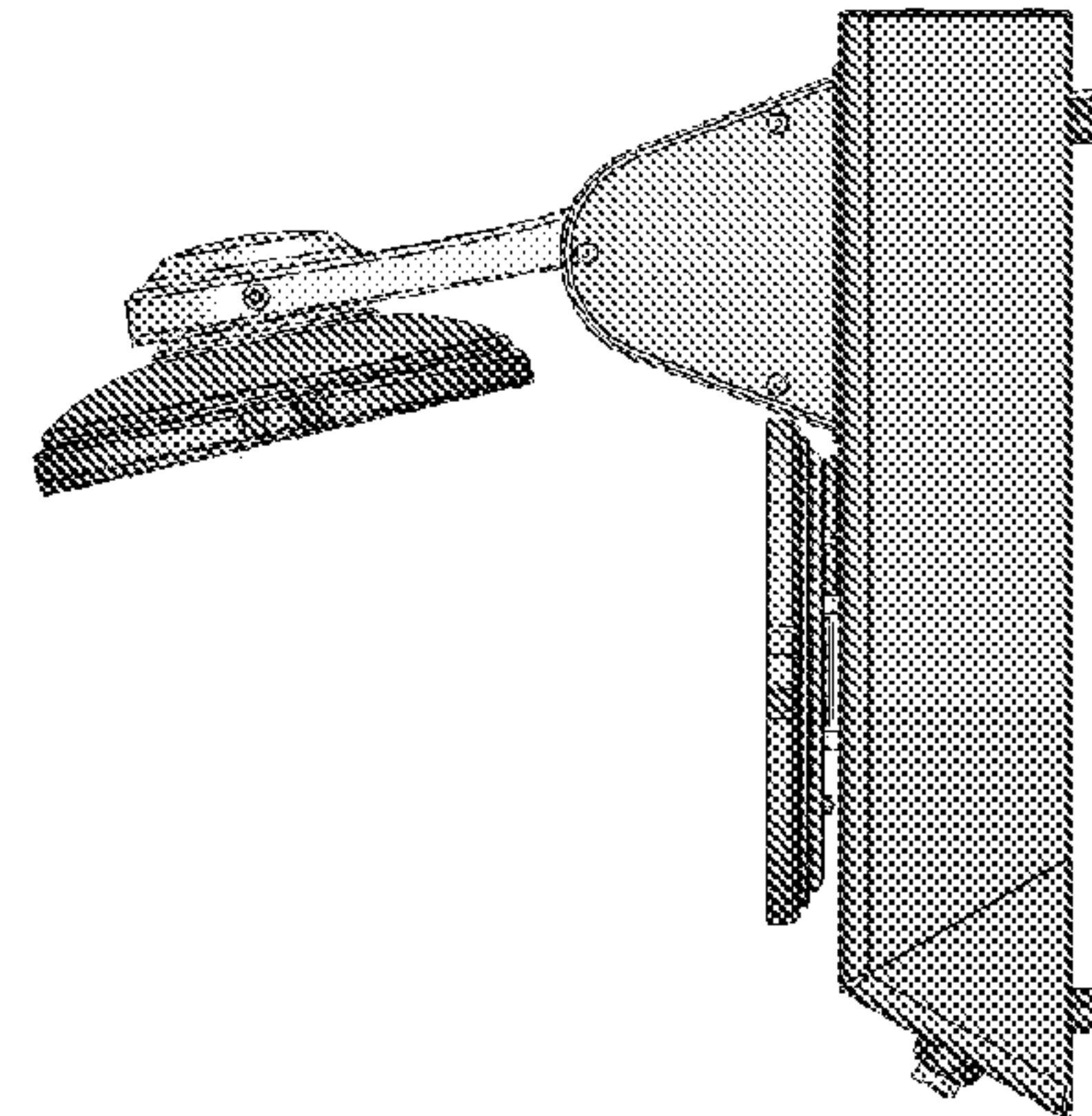


FIG. 9

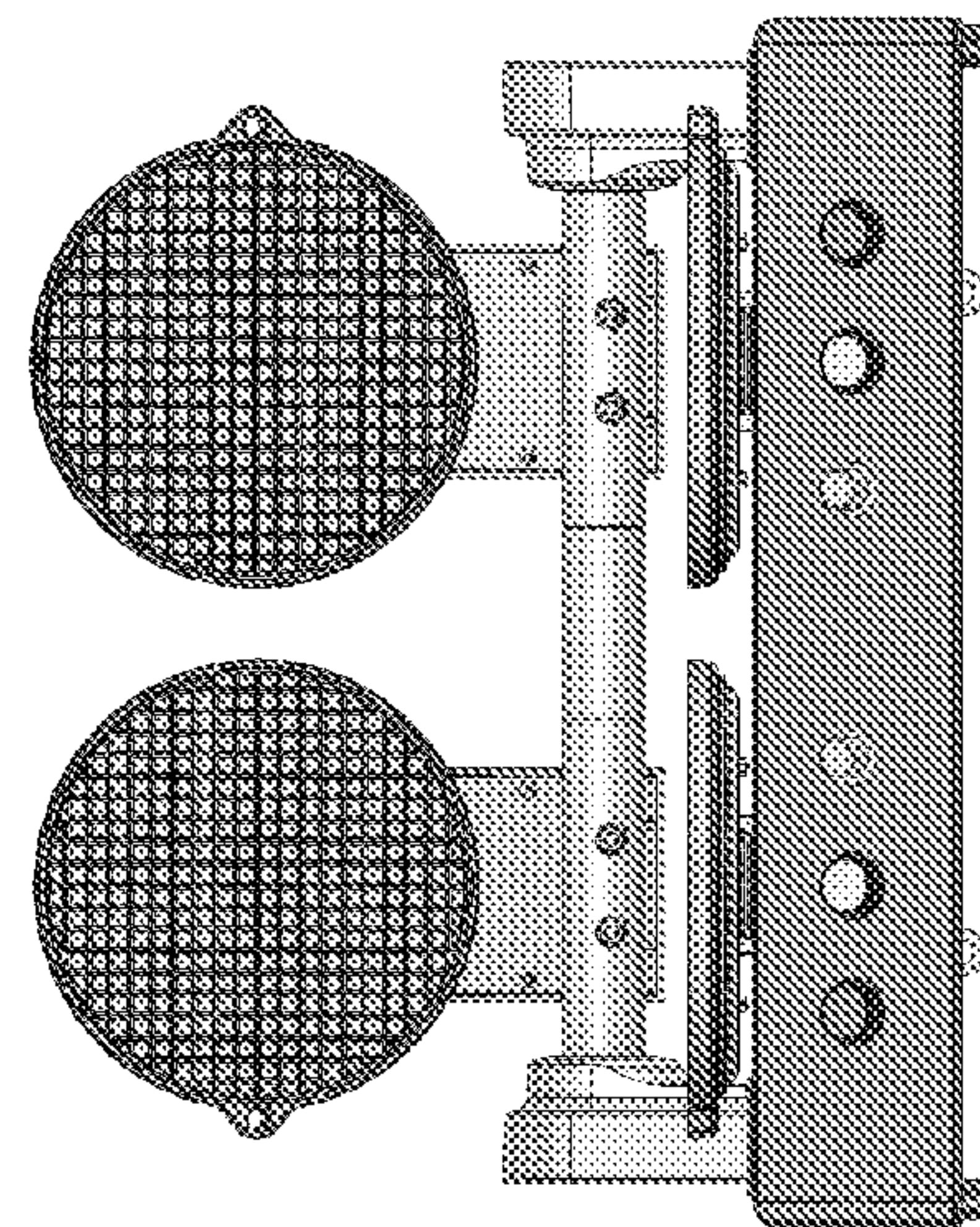


FIG. 8

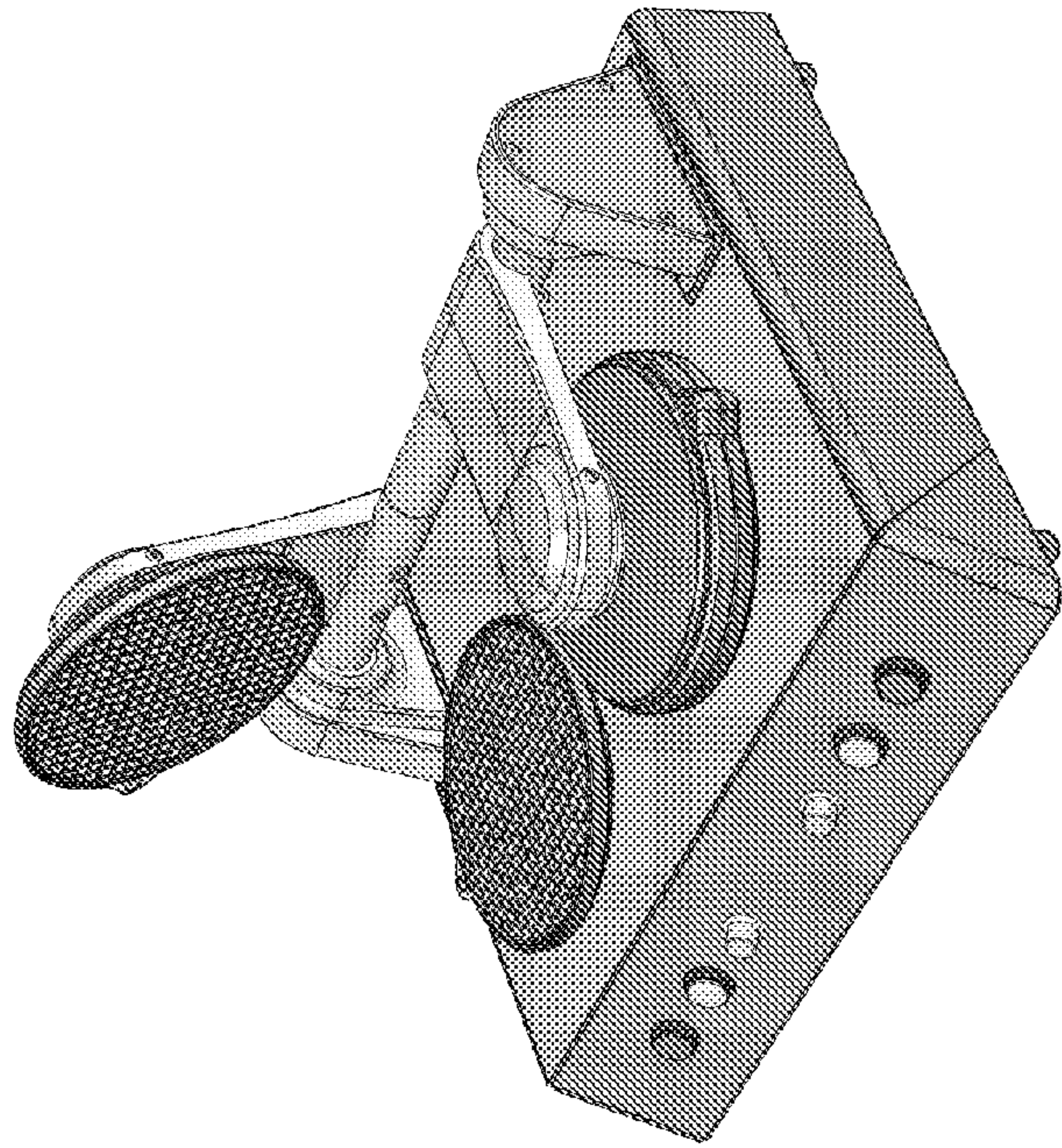


FIG. 11

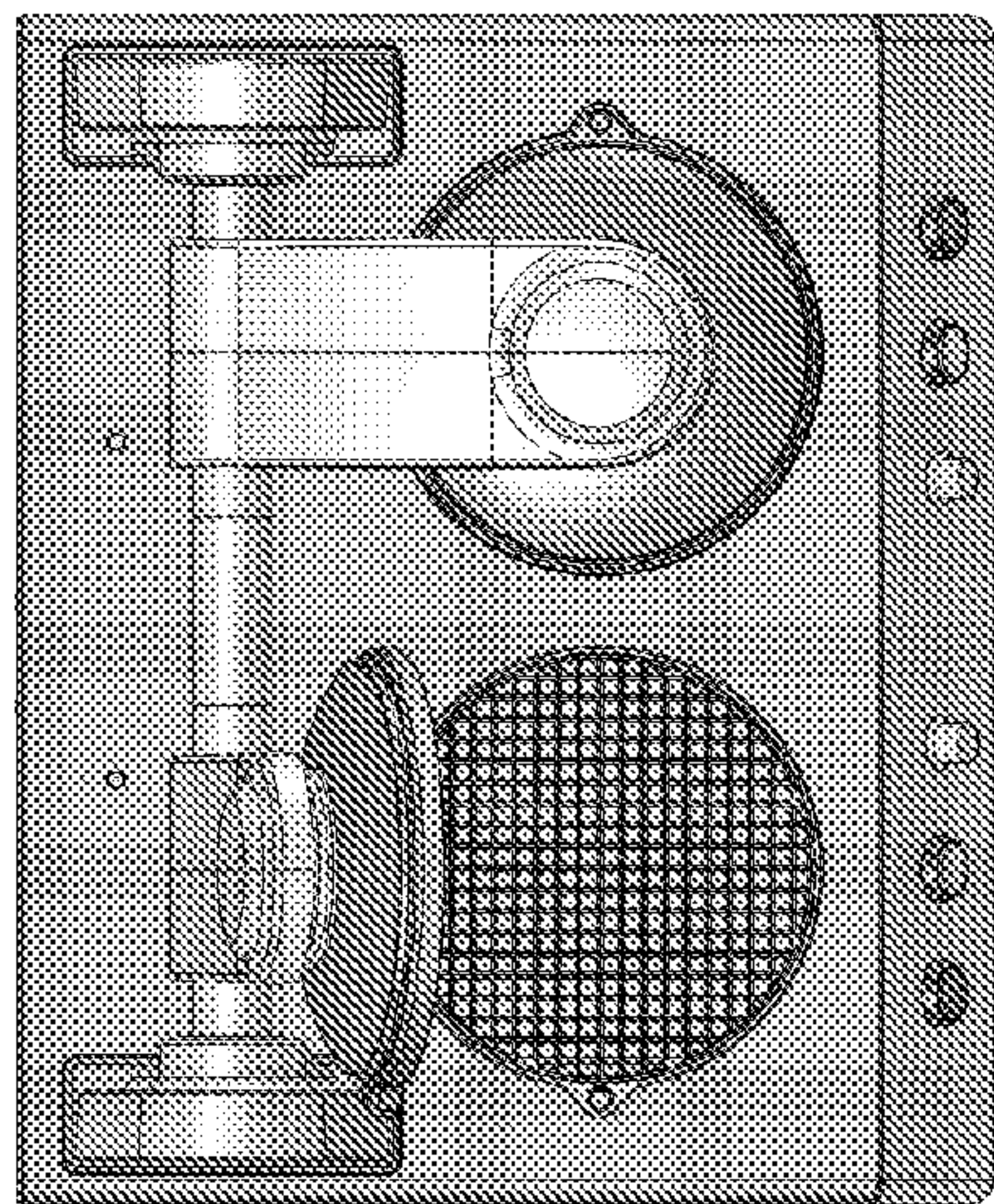


FIG. 12

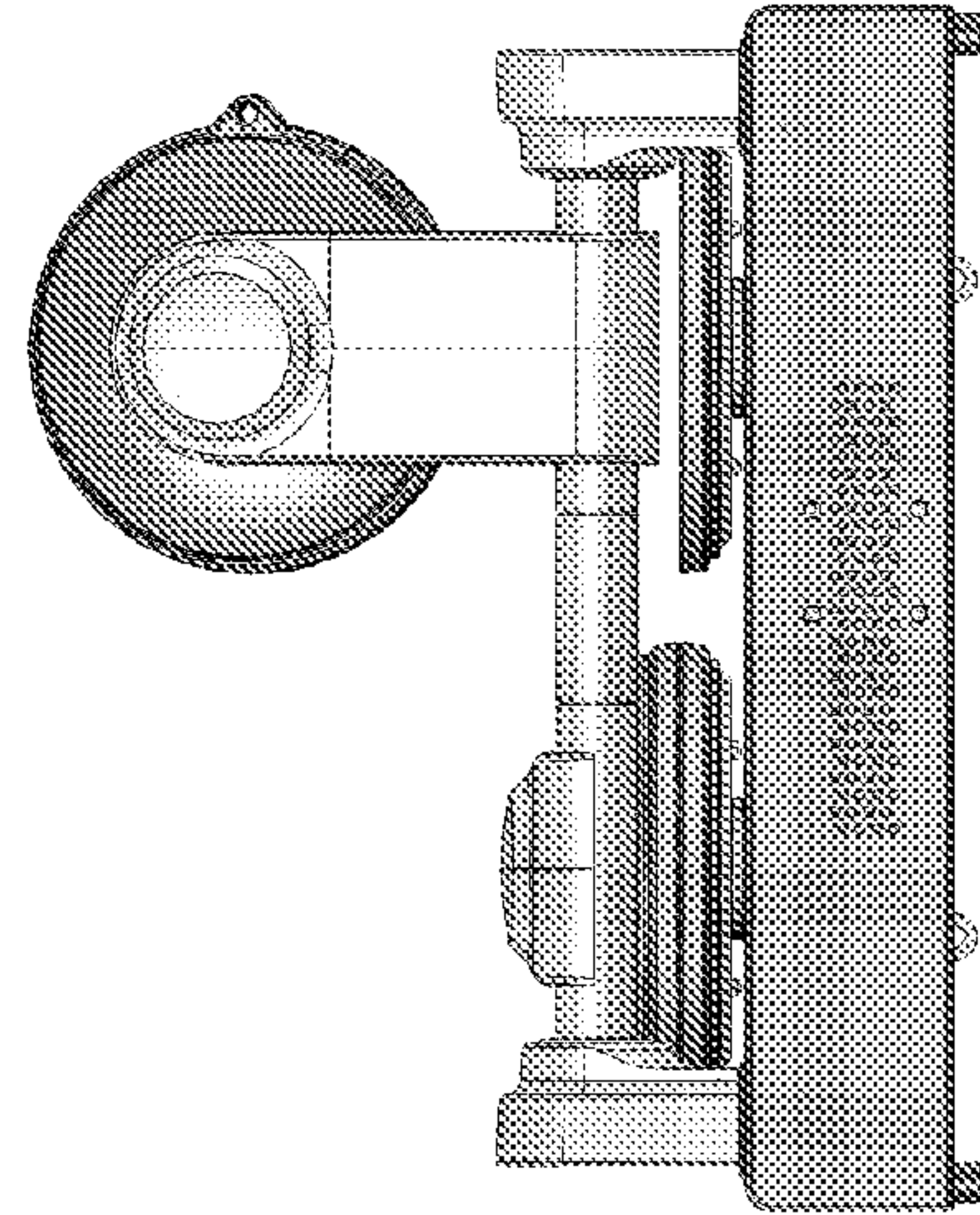


FIG. 13

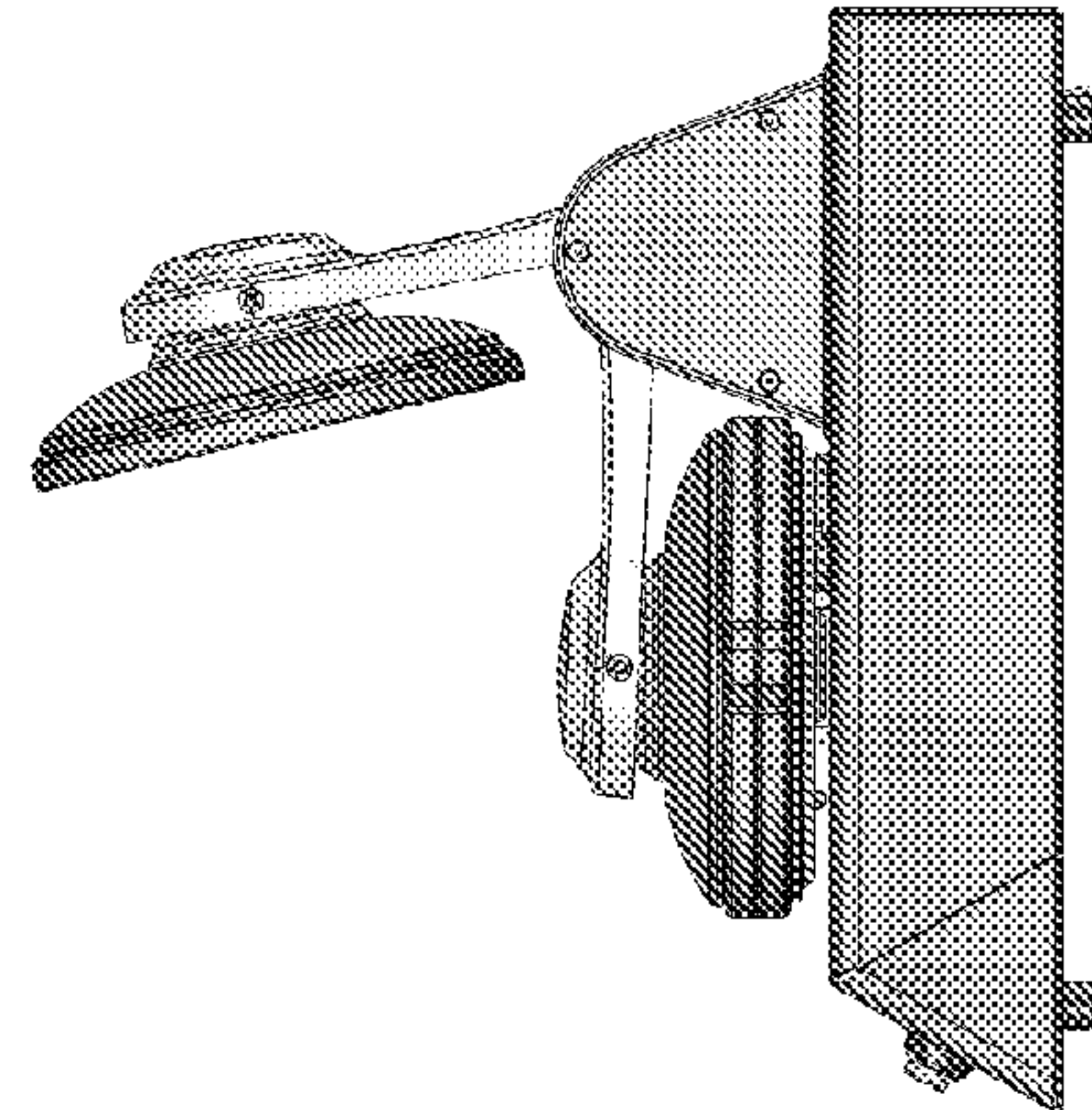


FIG. 14

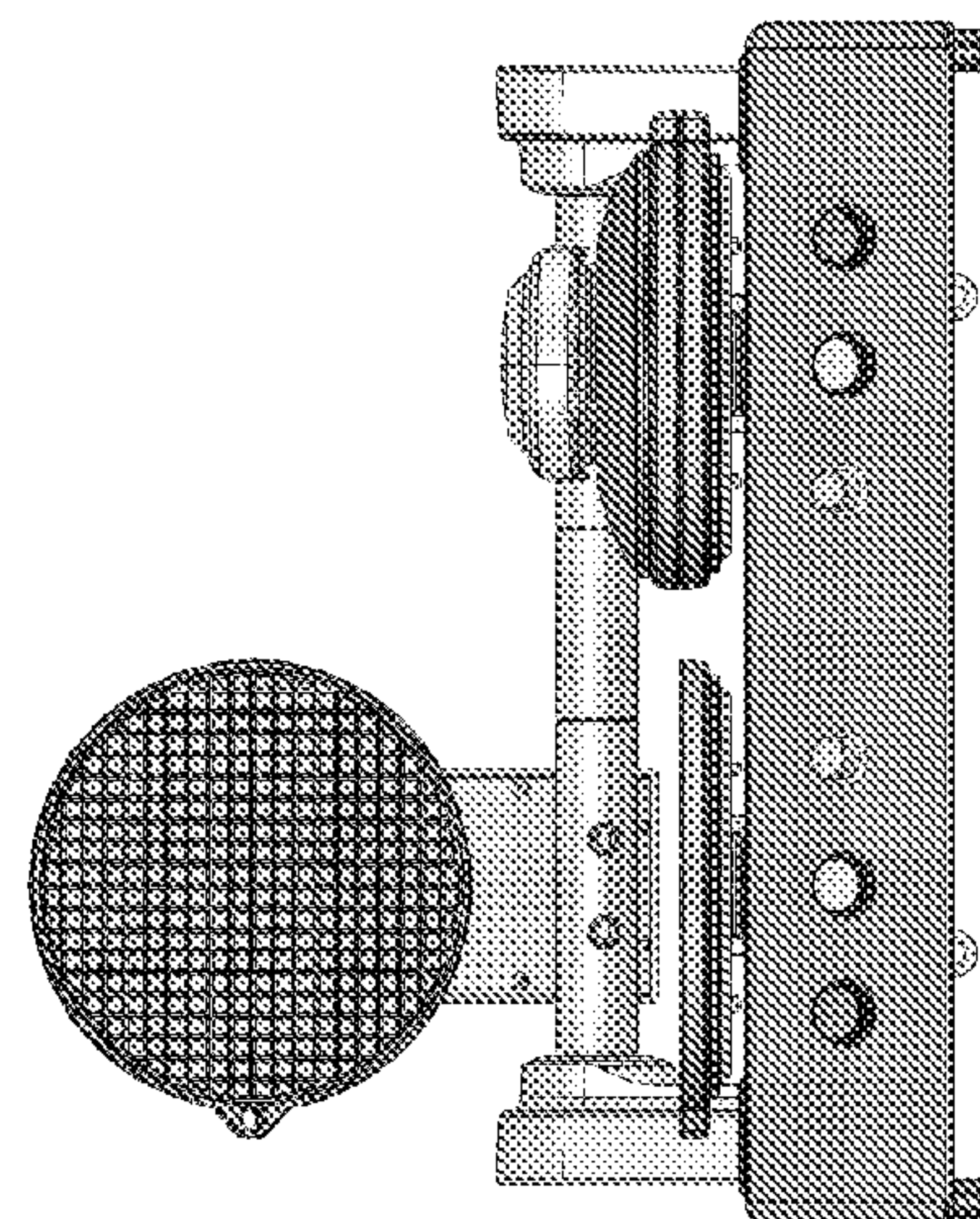


FIG. 15

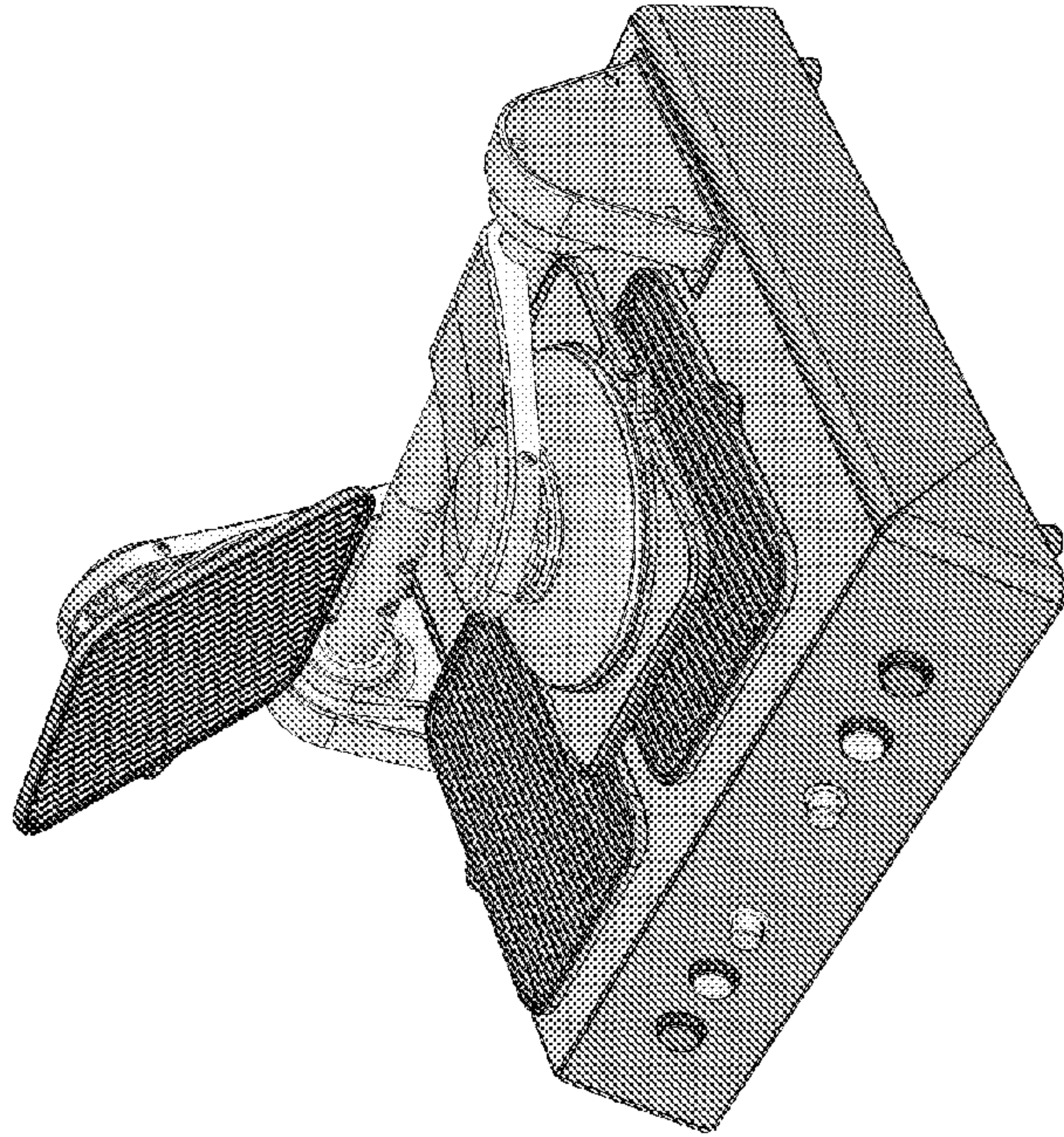


FIG. 16

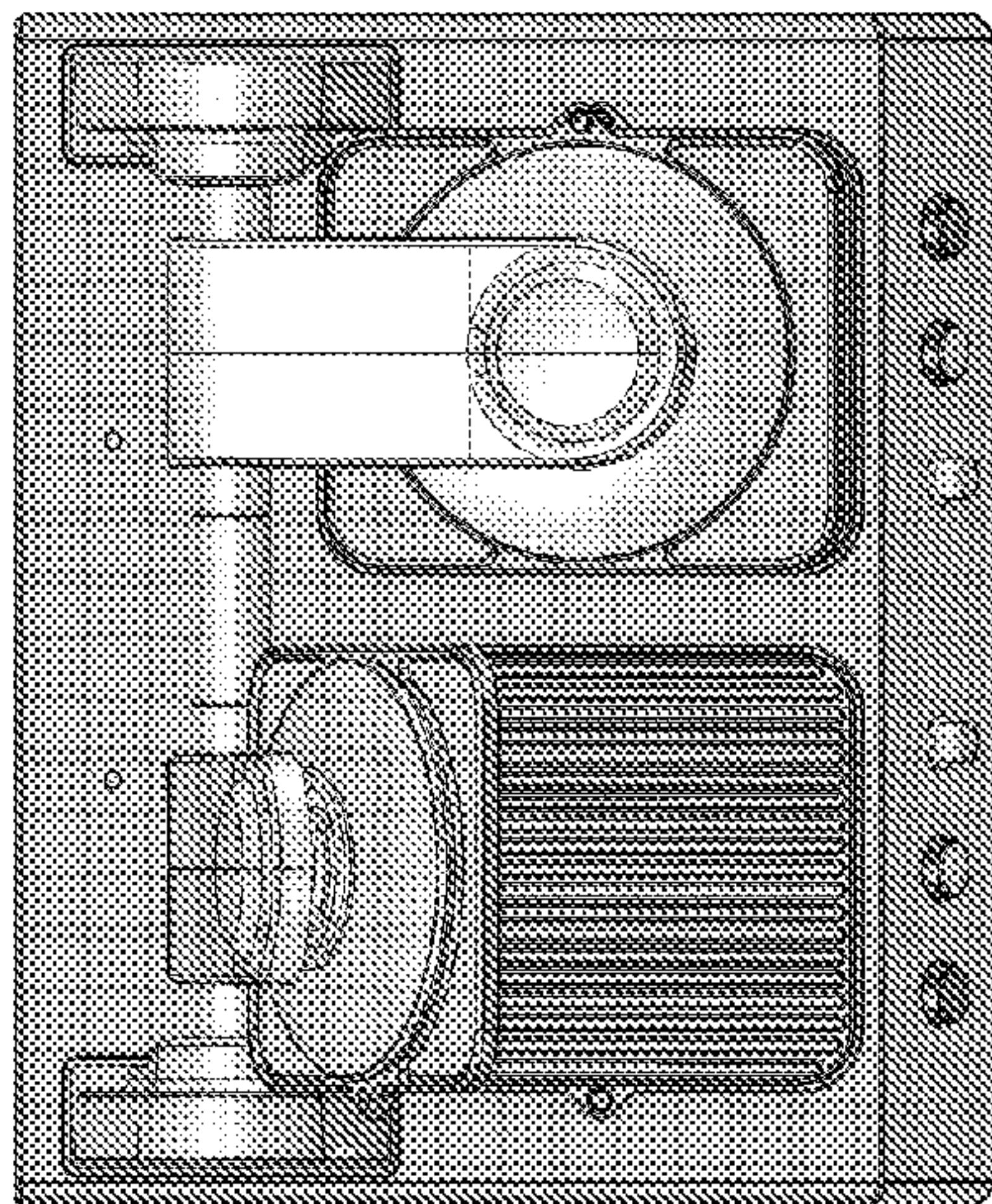


FIG. 17

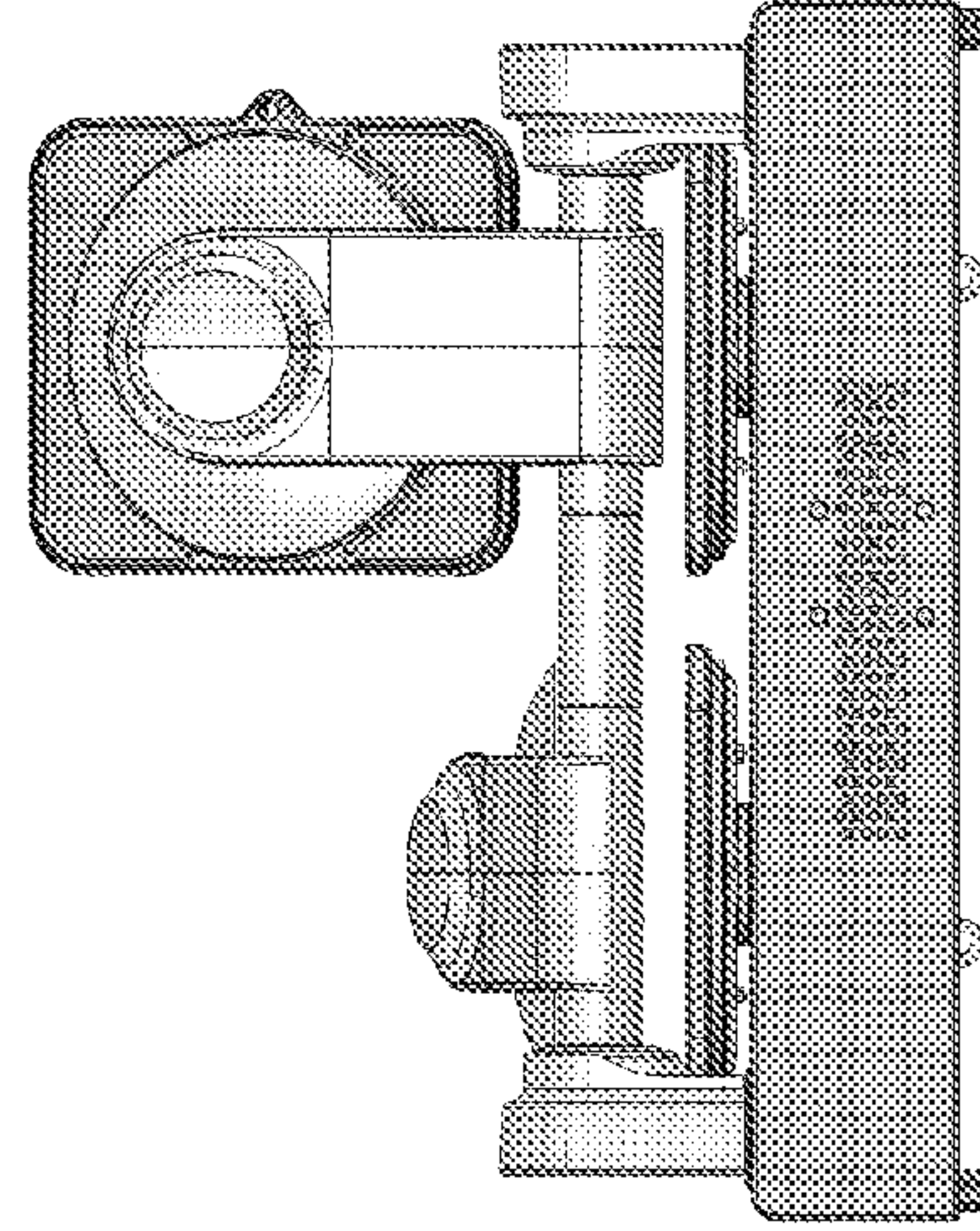


FIG. 18

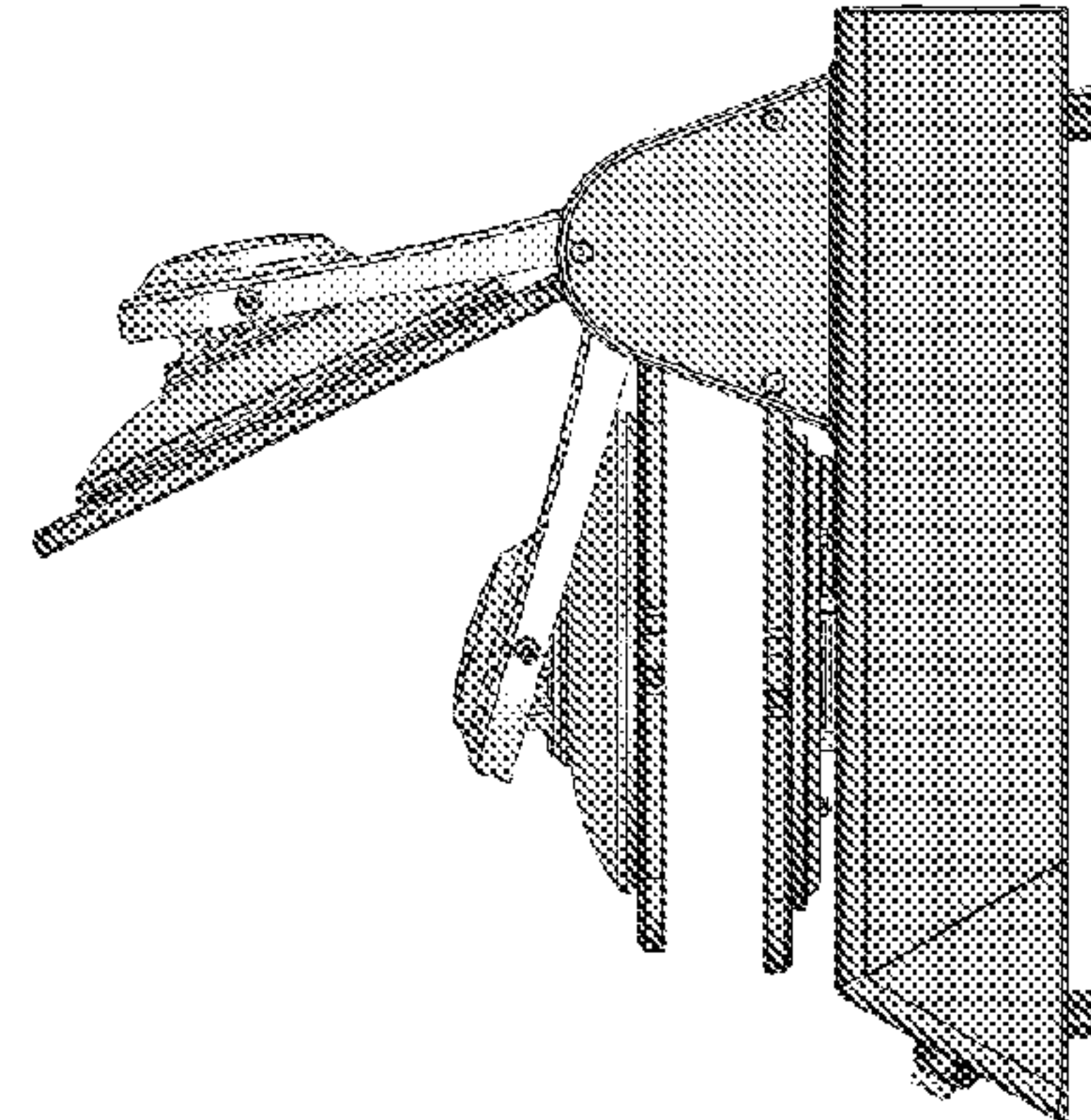


FIG. 19

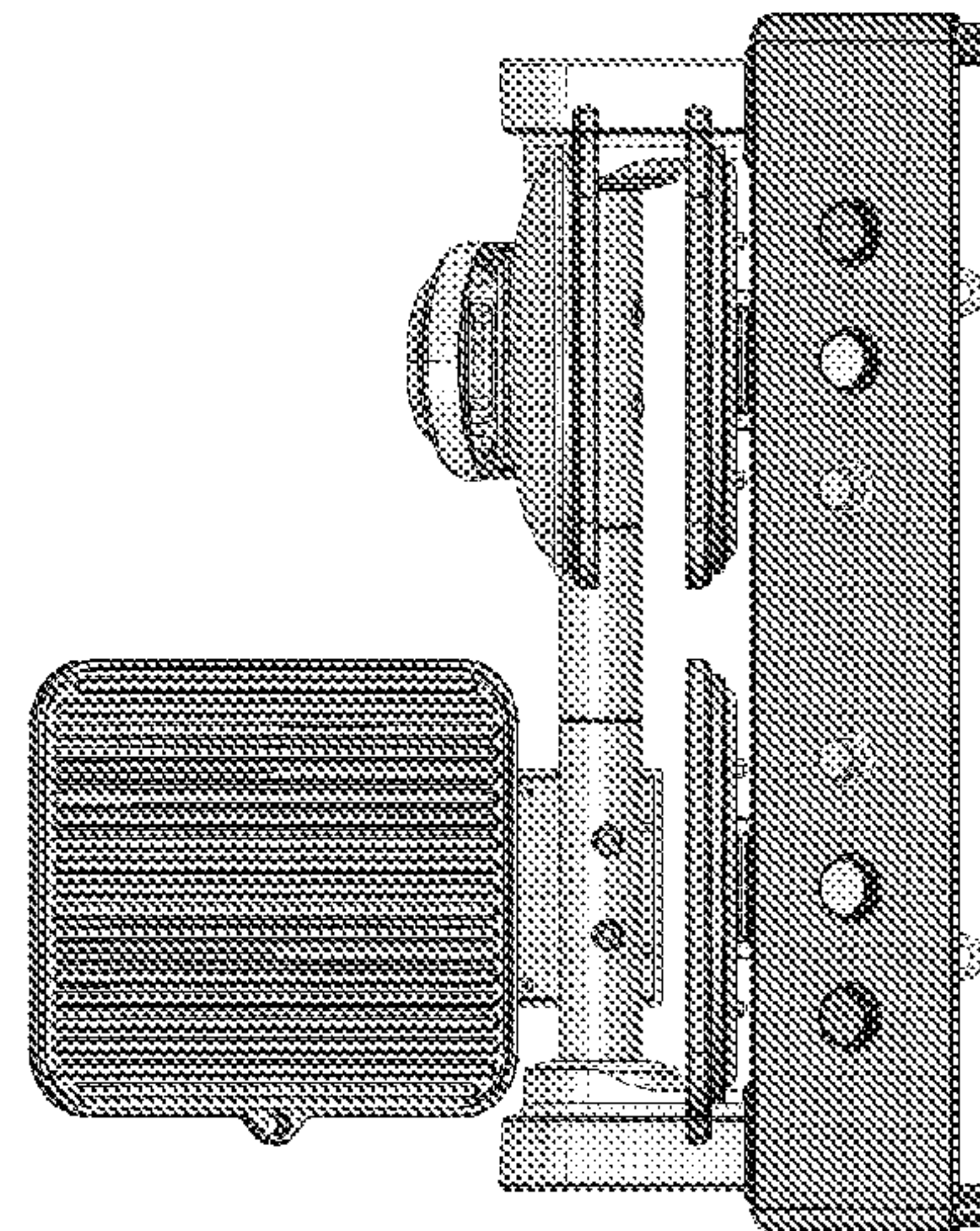


FIG. 20