



US00D551894S

(12) **United States Design Patent** (10) **Patent No.:** **US D551,894 S**
Yu (45) **Date of Patent:** **** Oct. 2, 2007**

(54) **CASE FOR OPTICAL DISCS**

(75) Inventor: **Man Chiu Yu**, Kowloon Bay (HK)

(73) Assignee: **C2 Technologies Limited**, Kowloon Bay (HK)

(**) Term: **14 Years**

(21) Appl. No.: **29/242,392**

(22) Filed: **Nov. 9, 2005**

(51) **LOC (8) Cl.** **06-01**

(52) **U.S. Cl.** **D6/634**

(58) **Field of Classification Search** D6/407,
D6/626-635; 206/209, 310-313, 751; 211/40,
211/41.1, 41.12, 126.1; D14/435, 436, 299,
D14/478, 479, 483, 474, 477, 363, 364-366,
D14/368; D9/420; D3/271.12, 219, 328,
D3/273, 294, 295, 299, 300, 301, 303; D19/75
See application file for complete search history.

(56) **References Cited**

U.S. PATENT DOCUMENTS

D163,210 S *	5/1951	Long	D3/204
D174,666 S *	5/1955	Tiffenburg et al.	D3/263
D329,328 S *	9/1992	Stephens	D3/295
D355,323 S *	2/1995	Melk	D6/632
D358,960 S *	6/1995	Minter	D6/631
D359,193 S *	6/1995	Minter	D6/631
D379,894 S *	6/1997	Minter	D6/631
5,833,062 A *	11/1998	Yeh	206/307.1
D438,004 S *	2/2001	Watson et al.	D3/276
D448,167 S *	9/2001	Pangerc et al.	D3/294
D496,585 S *	9/2004	McBride et al.	D9/423
D527,182 S *	8/2006	Ham	D3/294

D528,543 S *	9/2006	Ogasawara	D14/356
D529,493 S *	10/2006	Ogasawara	D14/356
7,129,433 B2 *	10/2006	Tokusashi	200/344
D534,421 S *	1/2007	Tanner	D9/420

* cited by examiner

Primary Examiner—Ian Simmons

Assistant Examiner—Charles Hanson

(74) *Attorney, Agent, or Firm*—Hamre, Schumann, Mueller and Larson, PC

(57) **CLAIM**

The ornamental design for a case for optical discs, as shown and described.

DESCRIPTION

FIG. 1 is a perspective view of a case for optical discs, showing my new design;

FIG. 2 is a front view thereof;

FIG. 3 is a rear view thereof;

FIG. 4 is a left side view thereof;

FIG. 5 is a right side view thereof;

FIG. 6 is a top plan view thereof;

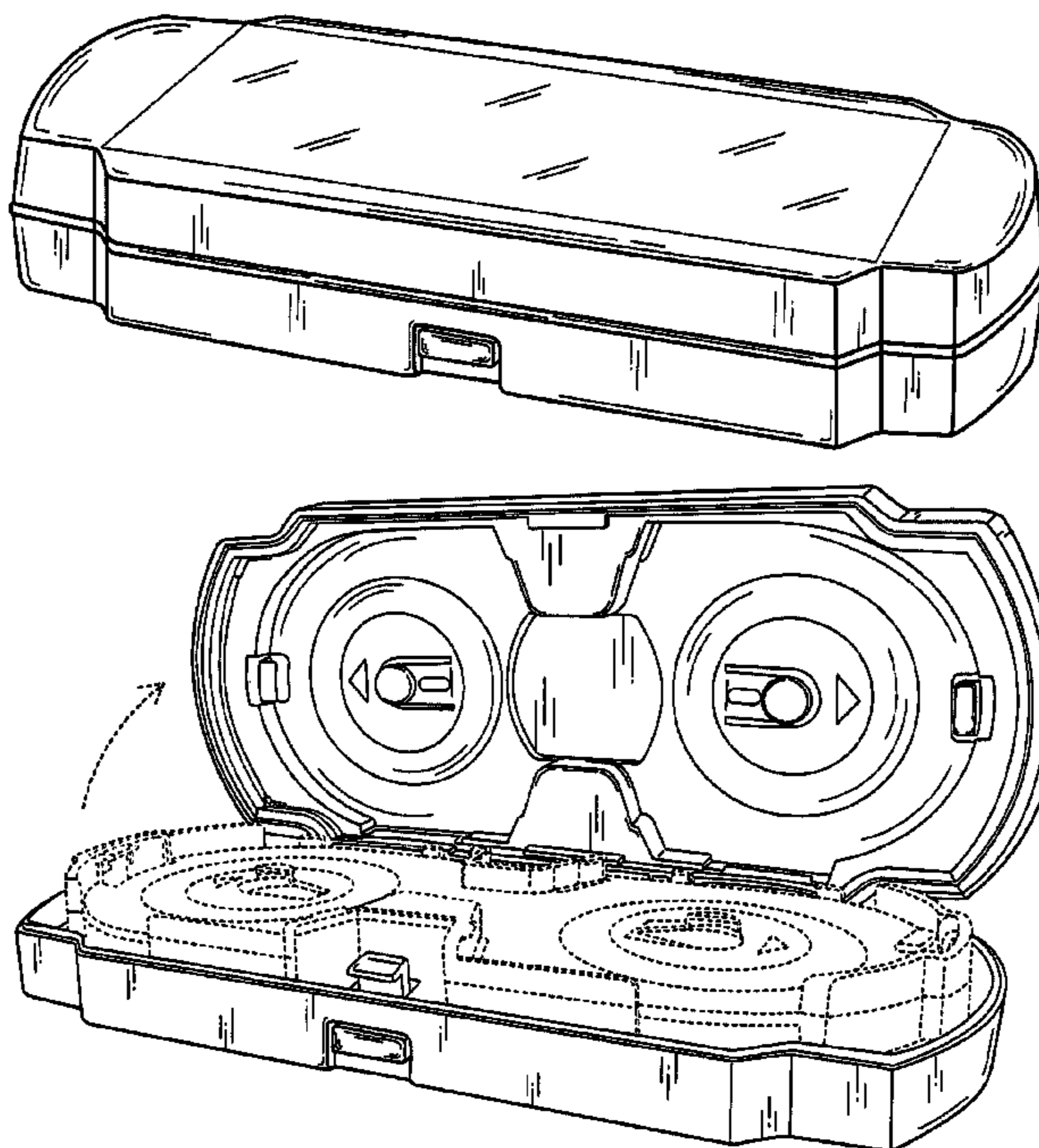
FIG. 7 is a bottom plan view thereof;

FIG. 8 is a front perspective view thereof, shown in an open position; and,

FIG. 9 is a front perspective view thereof.

The broken lines immediately adjacent the shaded areas represent the bounds of the claim and all other broken lines are for illustrative purposes only. None of the broken lines form a part of the claimed design.

1 Claim, 5 Drawing Sheets



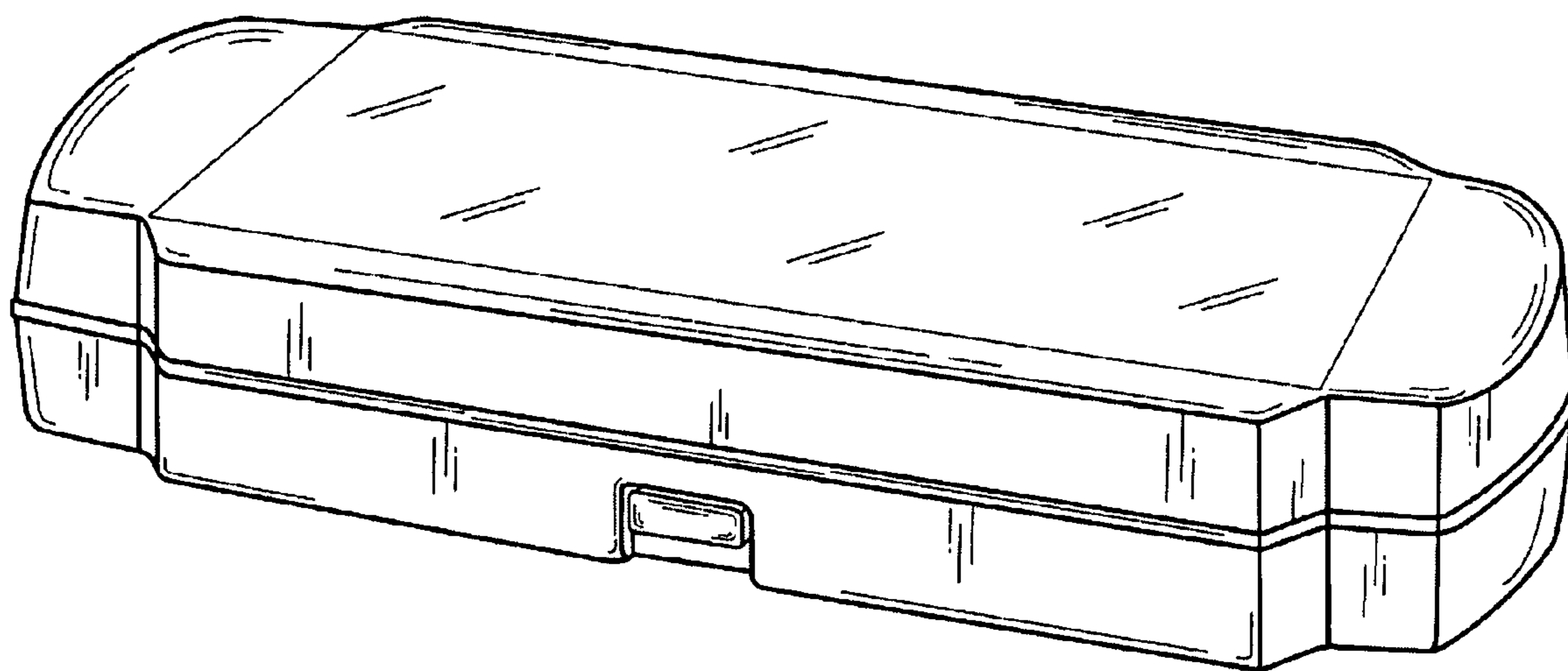


Figure 1

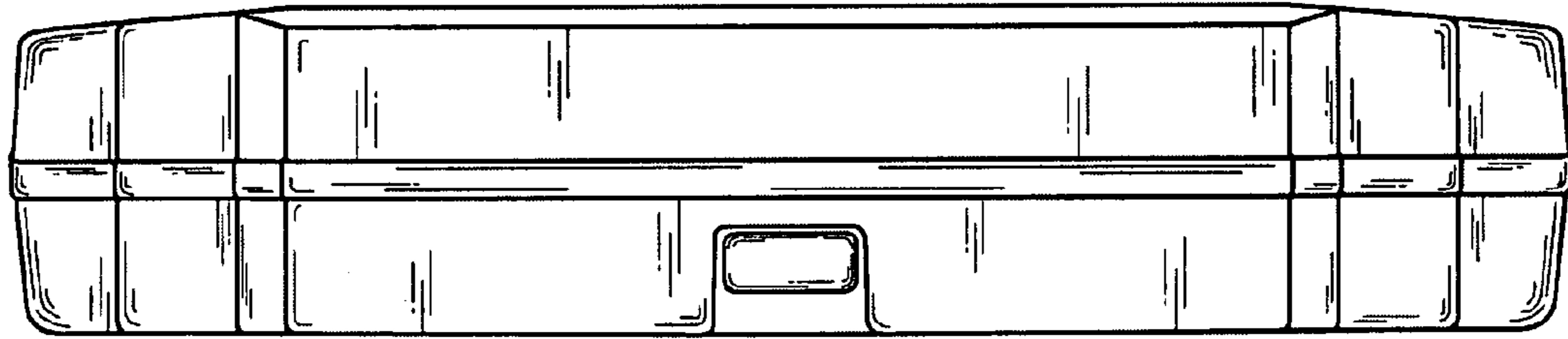


Figure 2

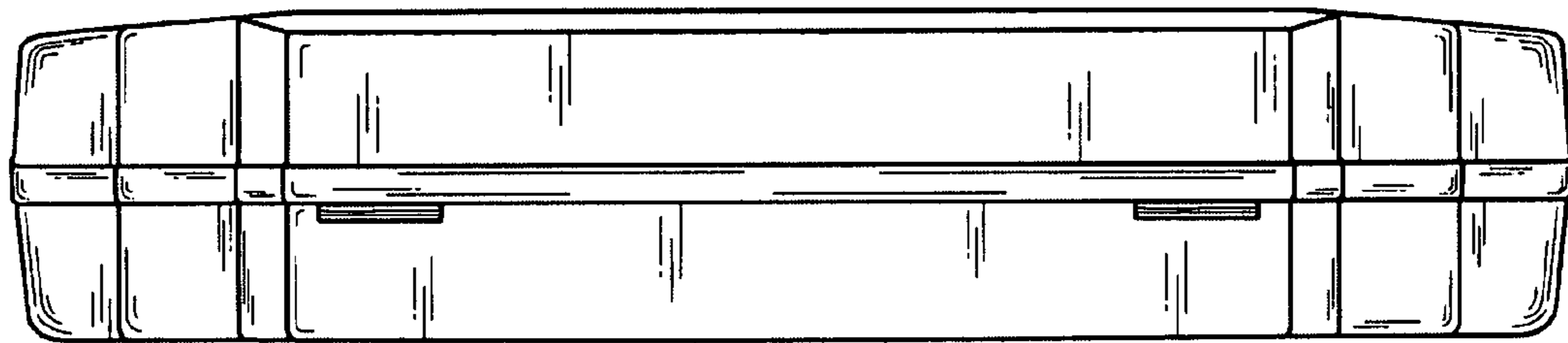


Figure 3

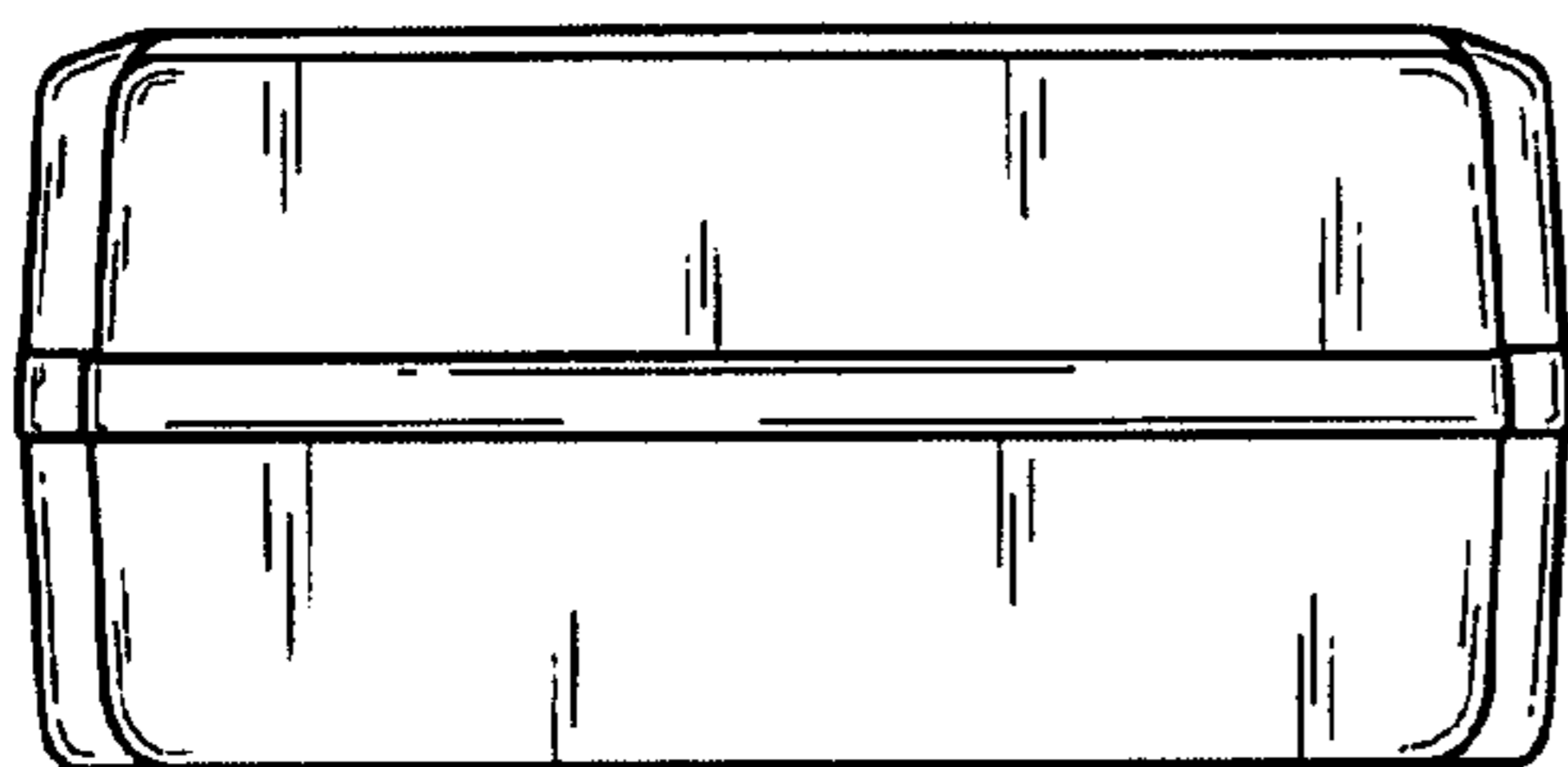


Figure 4

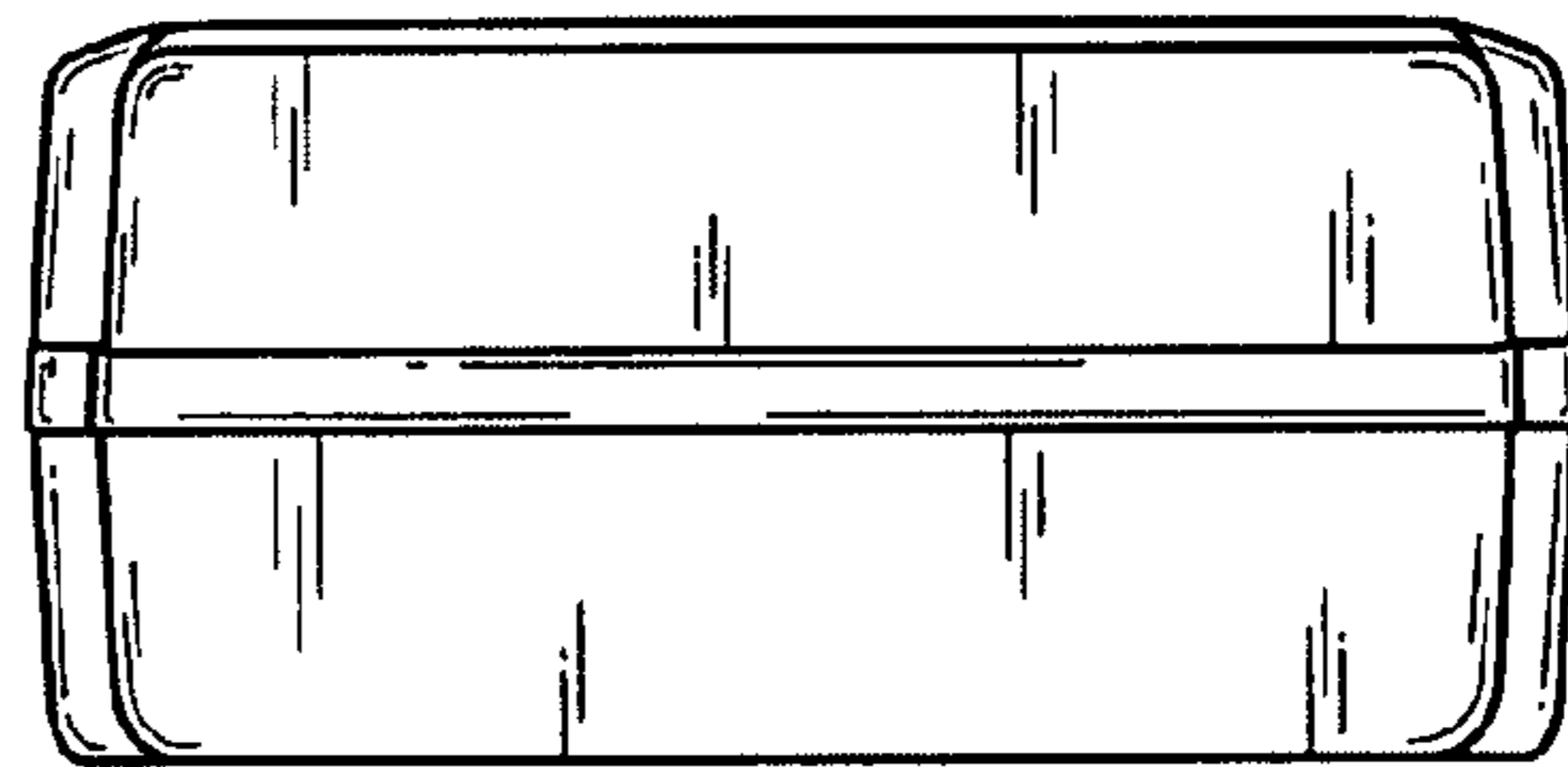


Figure 5

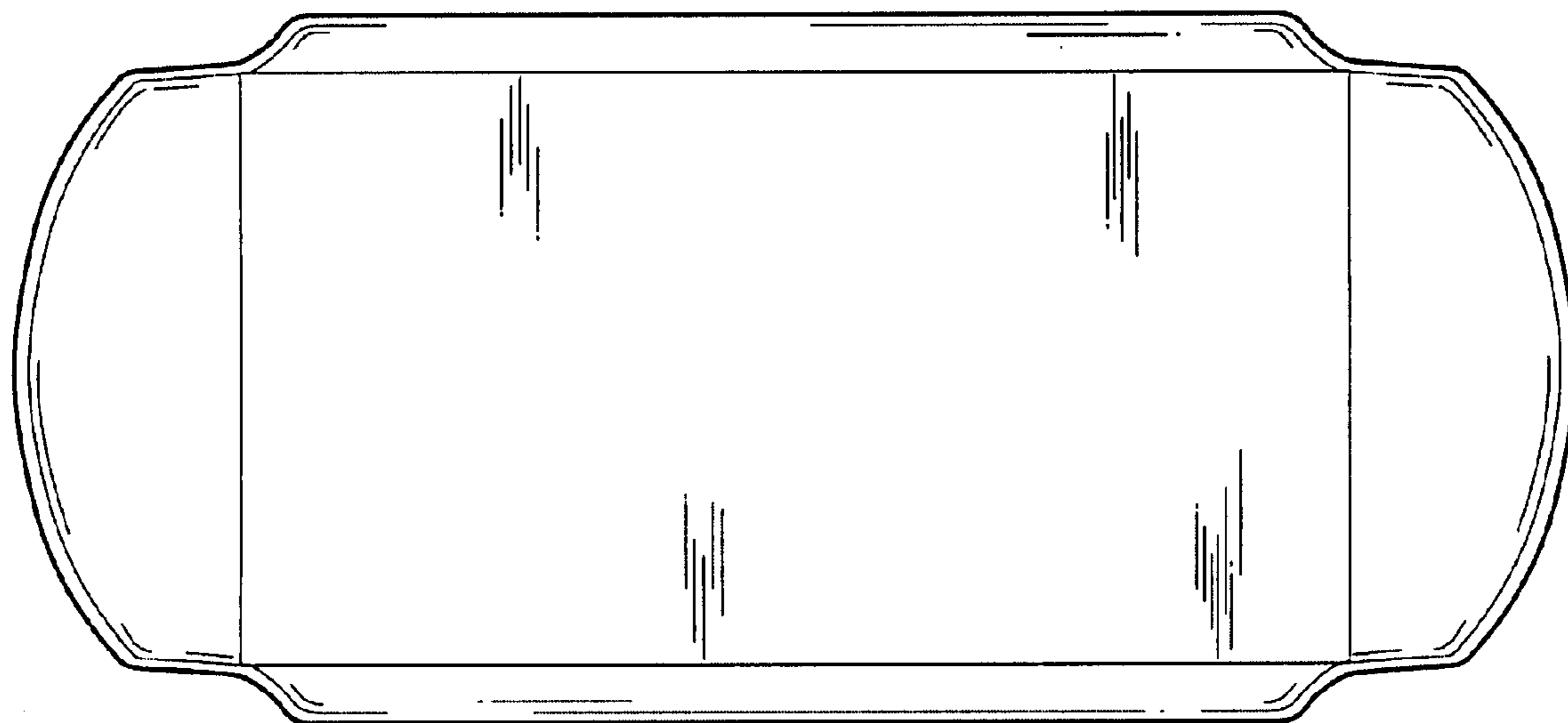


Figure 6

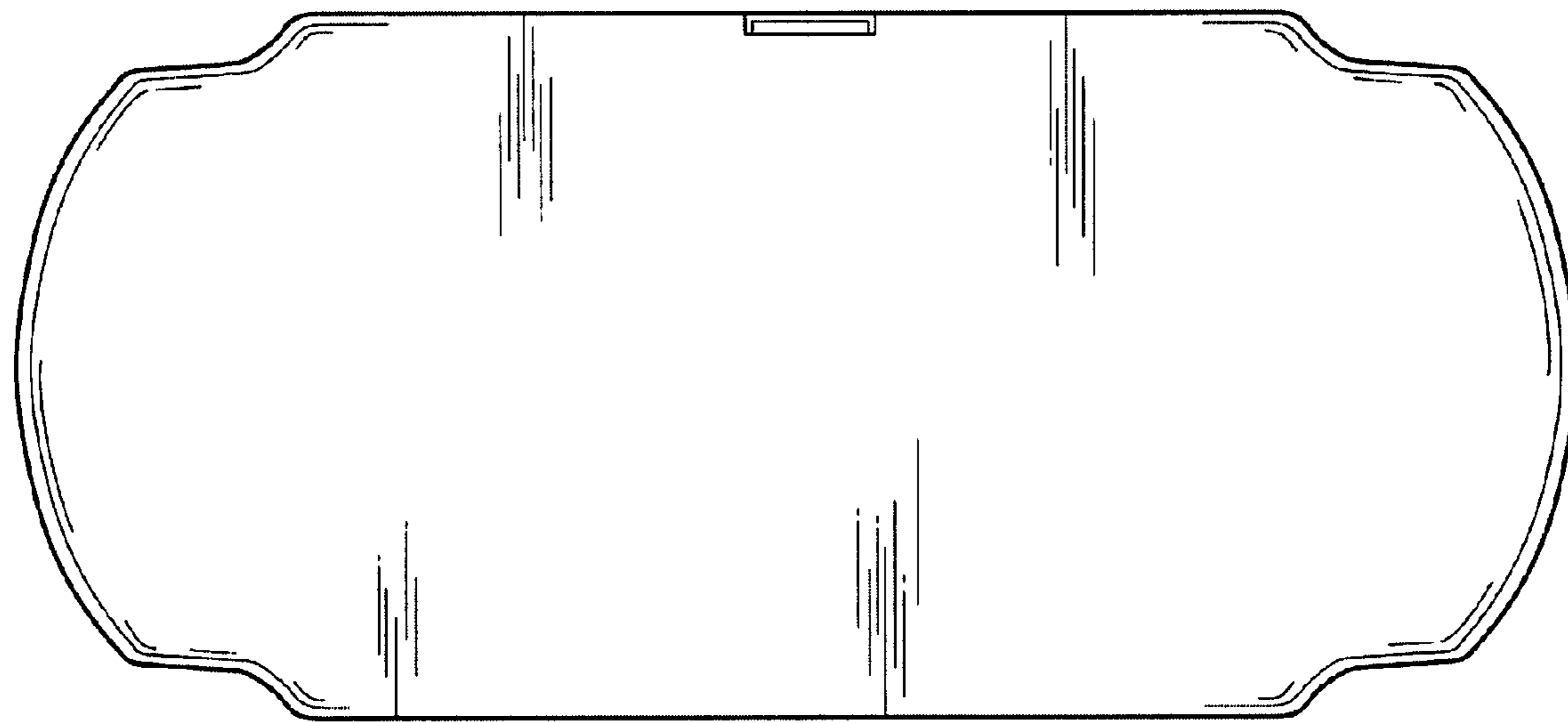


Figure 7

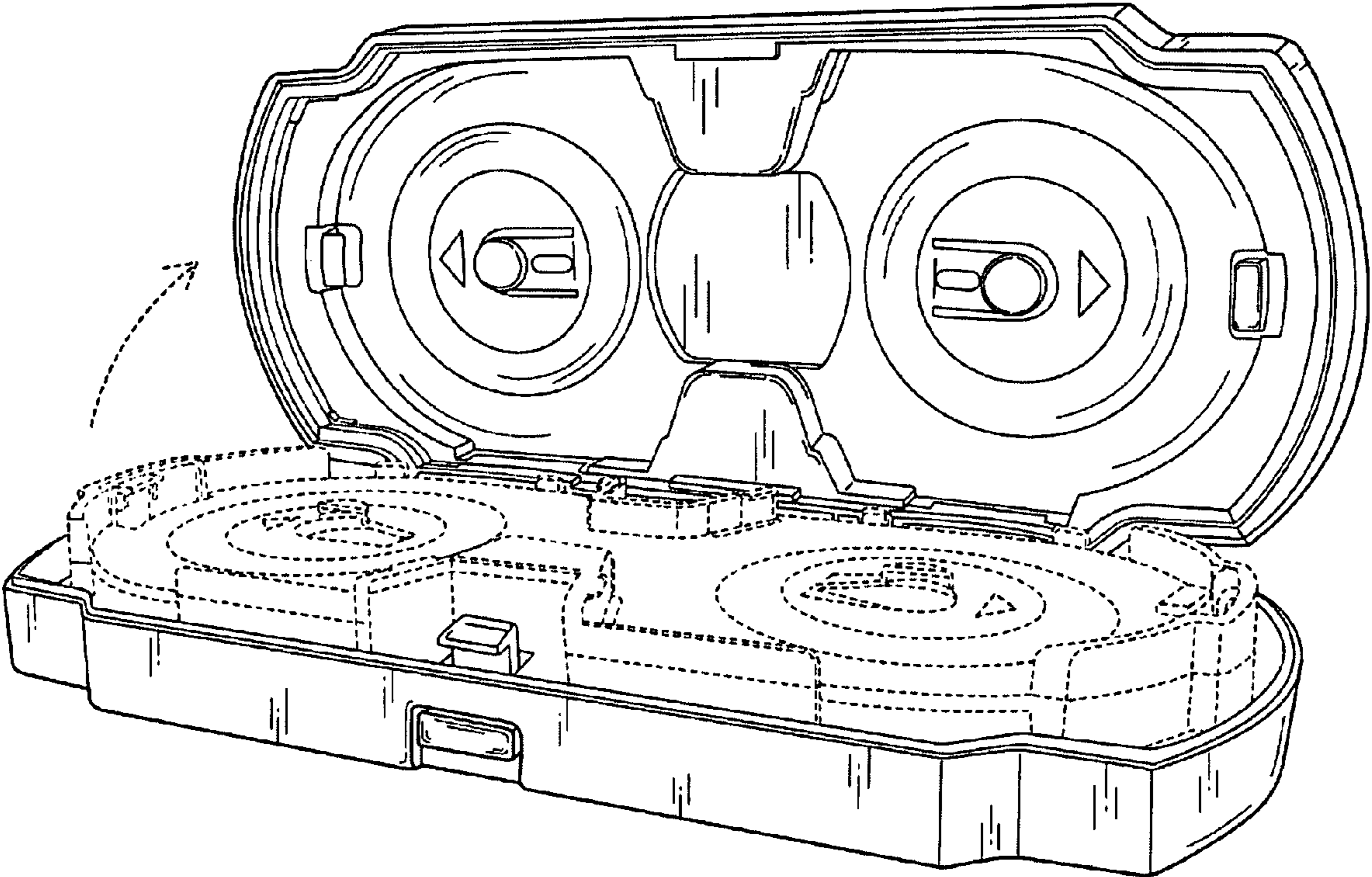


Figure 8

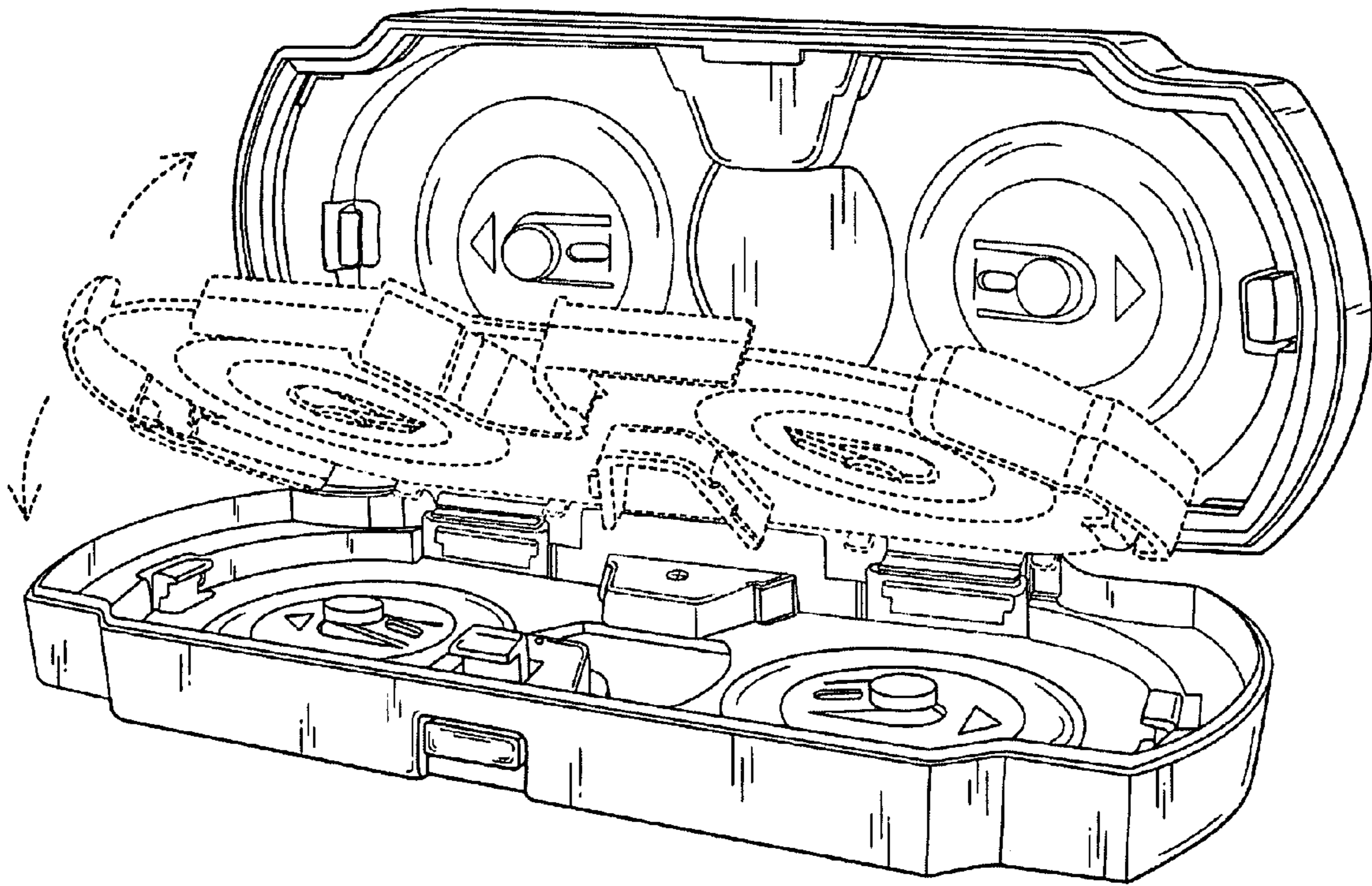


Figure 9