



US00D551893S

(12) **United States Design Patent**
Huang

(10) **Patent No.:** **US D551,893 S**

(45) **Date of Patent:** **** Oct. 2, 2007**

(54) **CD AND DVD CARRYING CASE**

(75) Inventor: **Michael Huang**, San Gabriel, CA (US)

(73) Assignee: **King Bird, Inc.**, City of Industry, CA (US)

(**) Term: **14 Years**

(21) Appl. No.: **29/241,001**

(22) Filed: **Oct. 21, 2005**

(51) **LOC (8) Cl.** **06-01**

(52) **U.S. Cl.** **D6/634**

(58) **Field of Classification Search** D6/407,
D6/626-635; 206/209, 310-313, 751; 211/40,
211/41.1, 41.12, 126.1; D14/435, 436, 299,
D14/478, 479, 483, 474, 477, 363, 364-366,
D14/368; D9/420; D3/271.12, 219, 328,
D3/273, 294, 295, 299, 300, 301, 303; D19/75
See application file for complete search history.

(56) **References Cited**

U.S. PATENT DOCUMENTS

D125,152 S * 2/1941 Hahn D9/420
D167,777 S * 9/1952 Spender D9/420
D169,356 S * 4/1953 Brown D9/420
D280,667 S * 9/1985 Bennett D28/7
D336,983 S * 7/1993 Roberts et al. D6/633
D344,456 S * 2/1994 Argondizza D9/420

D347,576 S * 6/1994 Boger et al. D9/423
D412,062 S * 7/1999 Potter et al. D3/294
D444,021 S * 6/2001 Chan D6/634
D525,068 S * 7/2006 Bennett et al. D6/632
2003/0042154 A1* 3/2003 Koch 206/308.1

* cited by examiner

Primary Examiner—Ian Simmons

Assistant Examiner—Charles Hanson

(74) *Attorney, Agent, or Firm*—Chan Law Group LLP

(57) **CLAIM**

The ornamental design for CD and DVD carrying case, as shown and described.

DESCRIPTION

FIG. 1 is a front perspective view of a CD and DVD carrying case showing my new design.

FIG. 2 is a top view thereof.

FIG. 3 is a left side view thereof.

FIG. 4 is a right side view thereof.

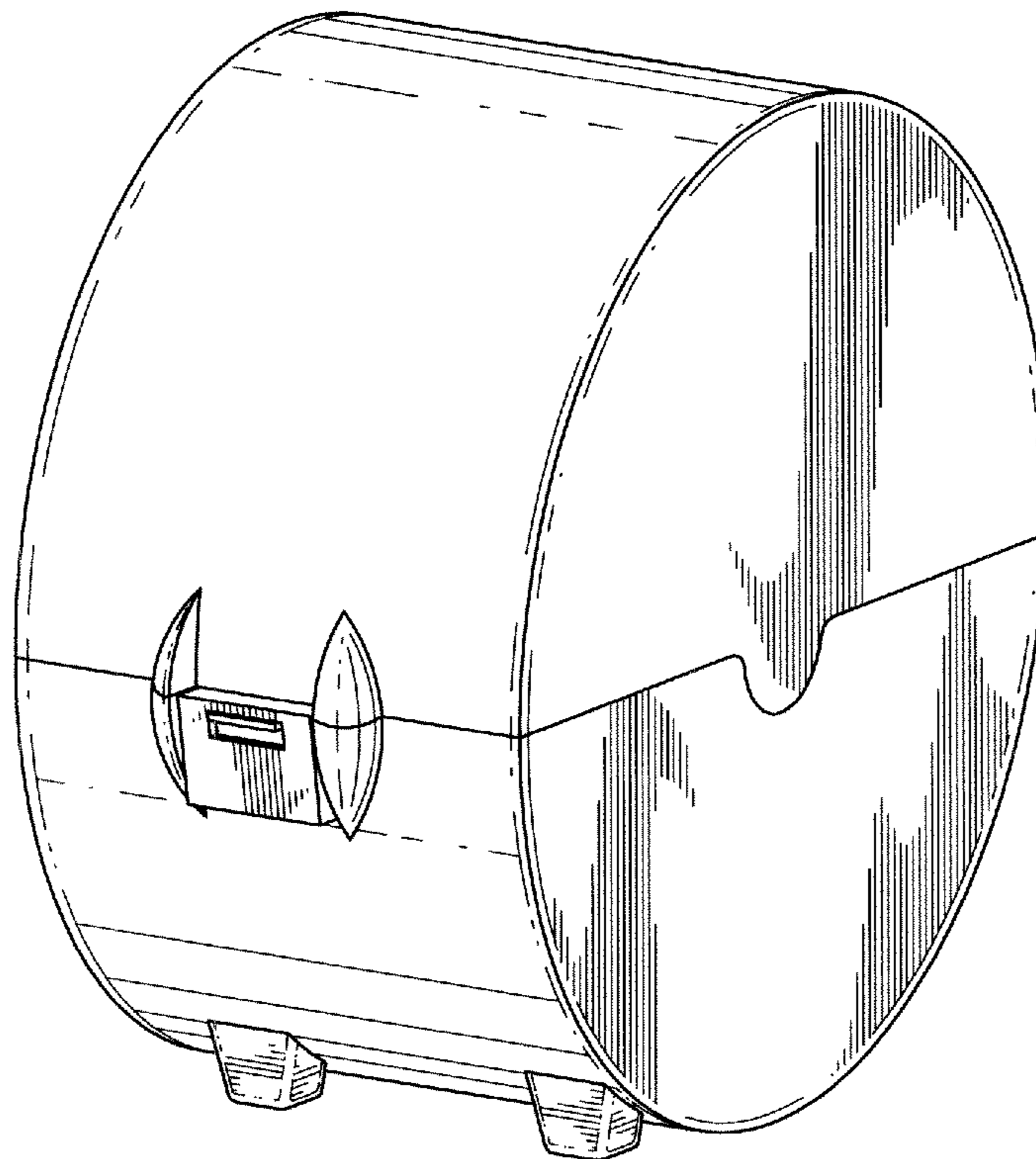
FIG. 5 is a bottom view thereof.

FIG. 6 is a rear view thereof.

FIG. 7 is a front view thereof; and,

FIG. 8 is an open perspective view thereof.

1 Claim, 5 Drawing Sheets



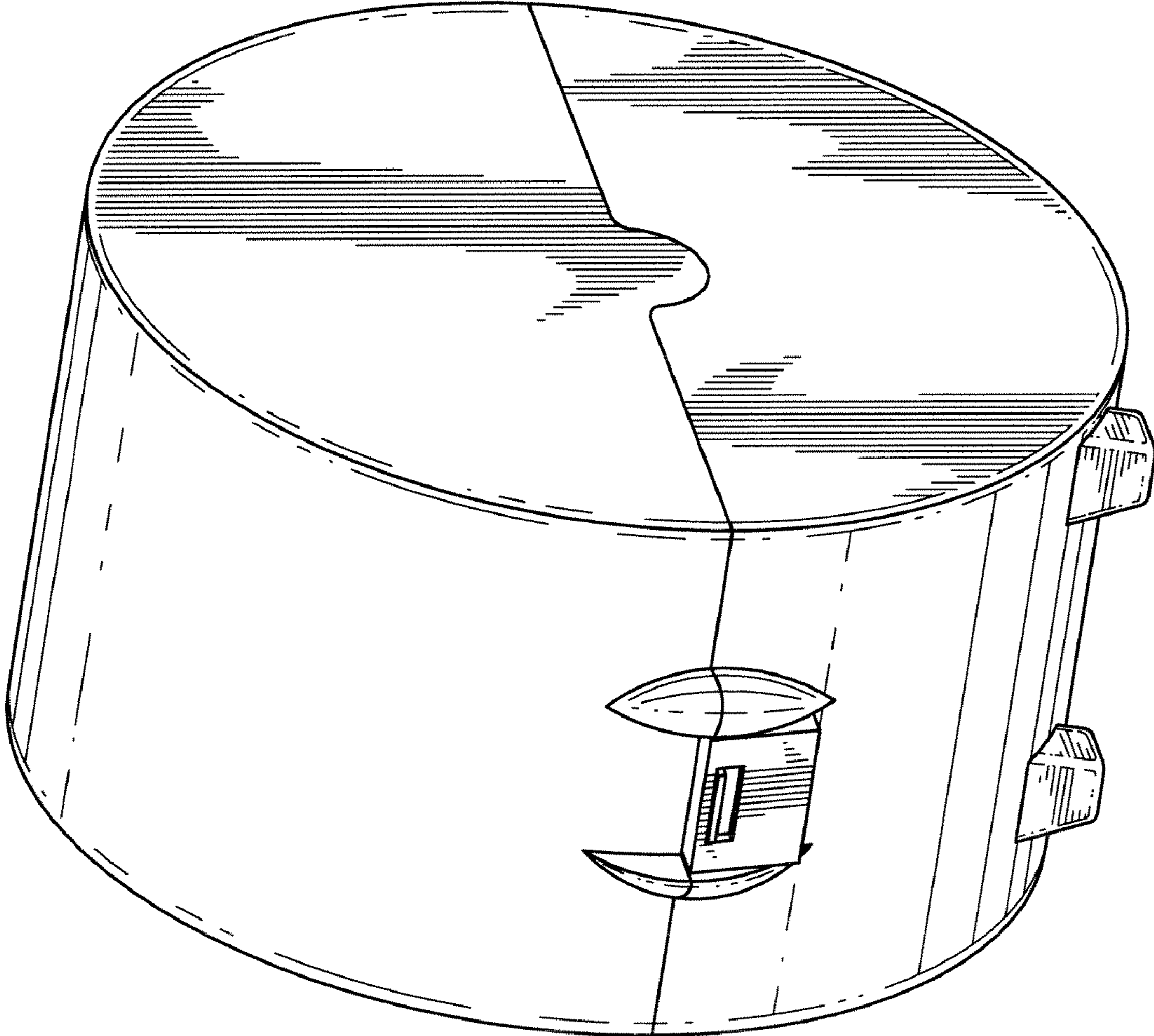


FIG. 1

FIG. 2

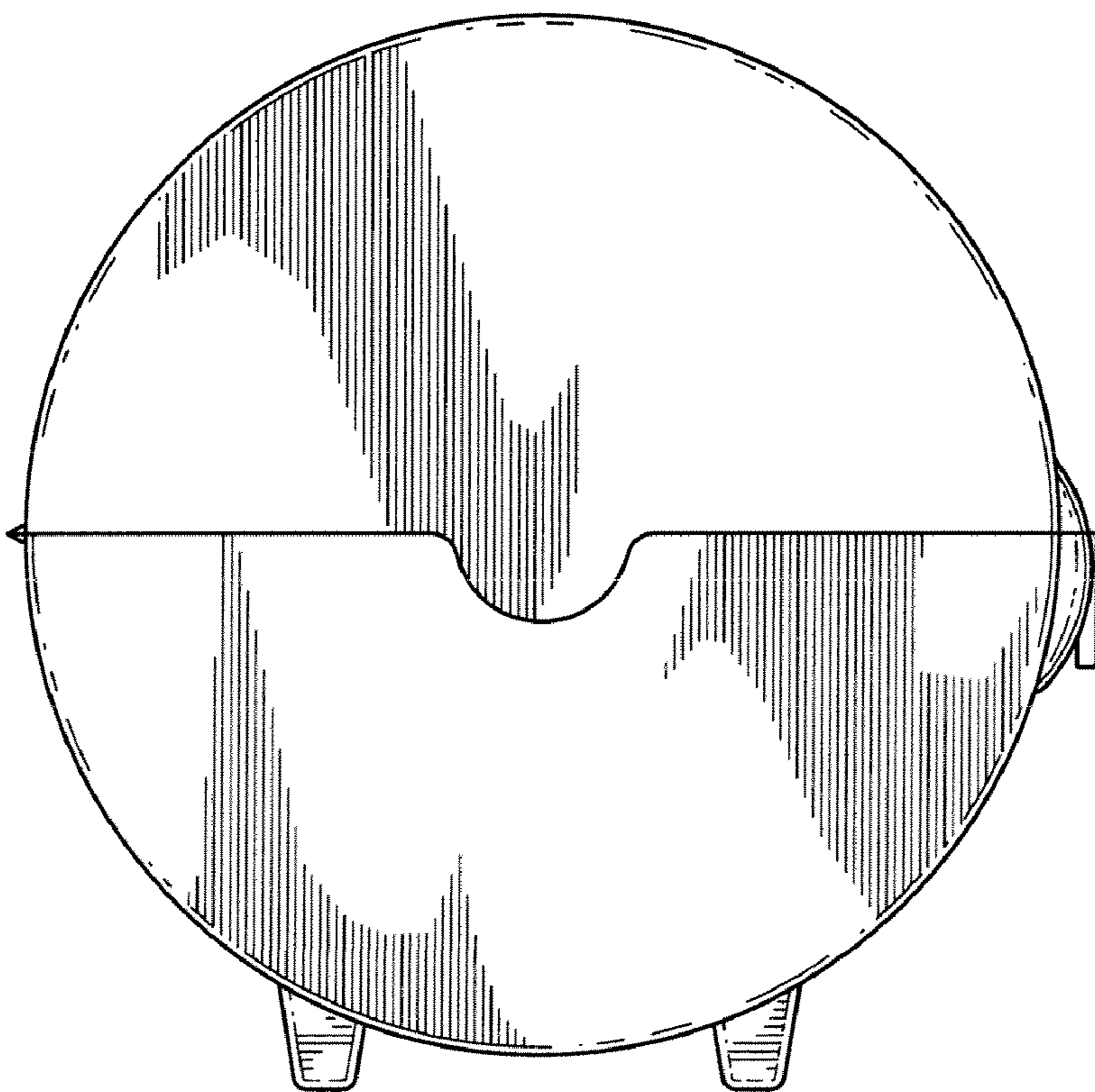
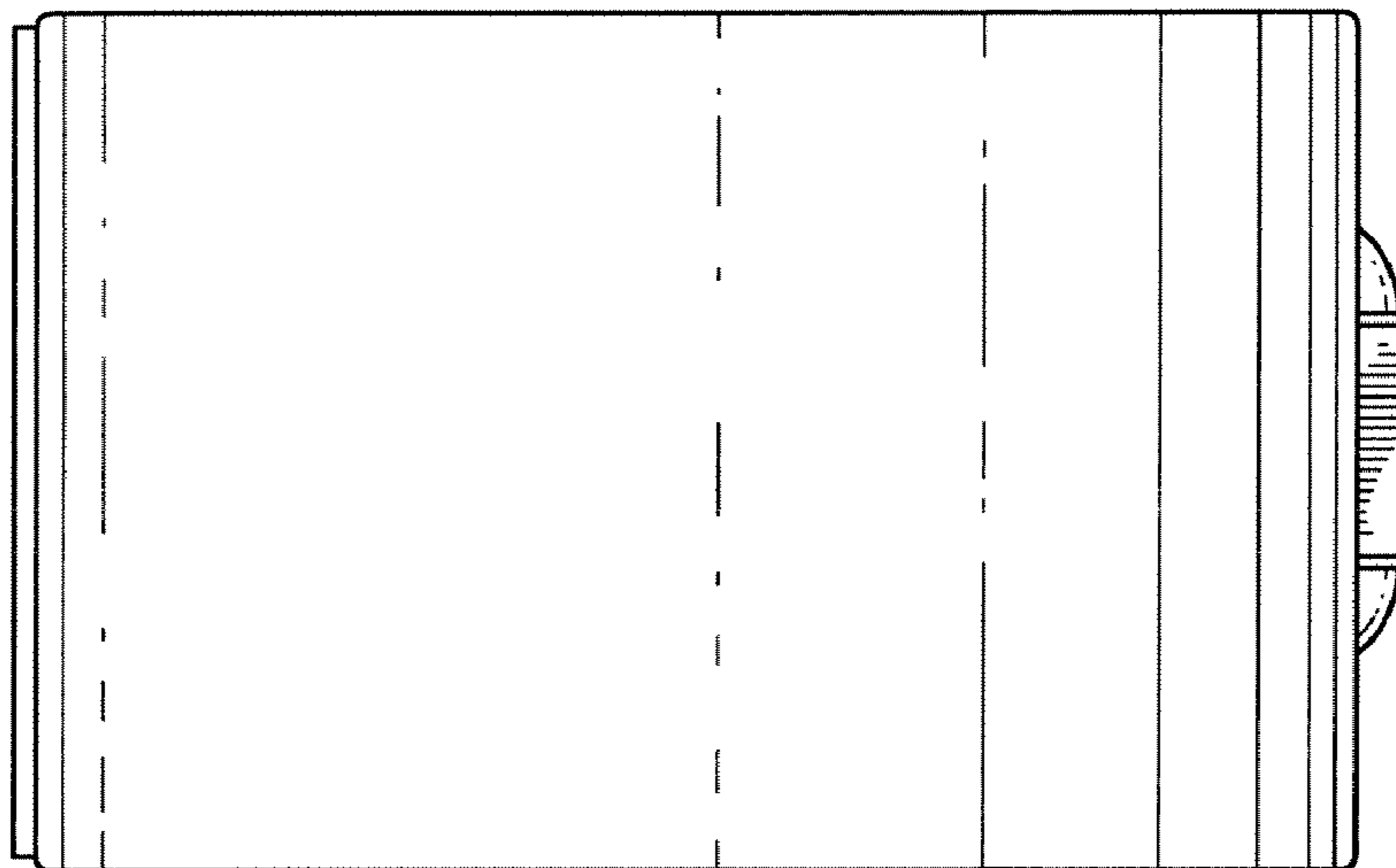


FIG. 3

FIG. 4

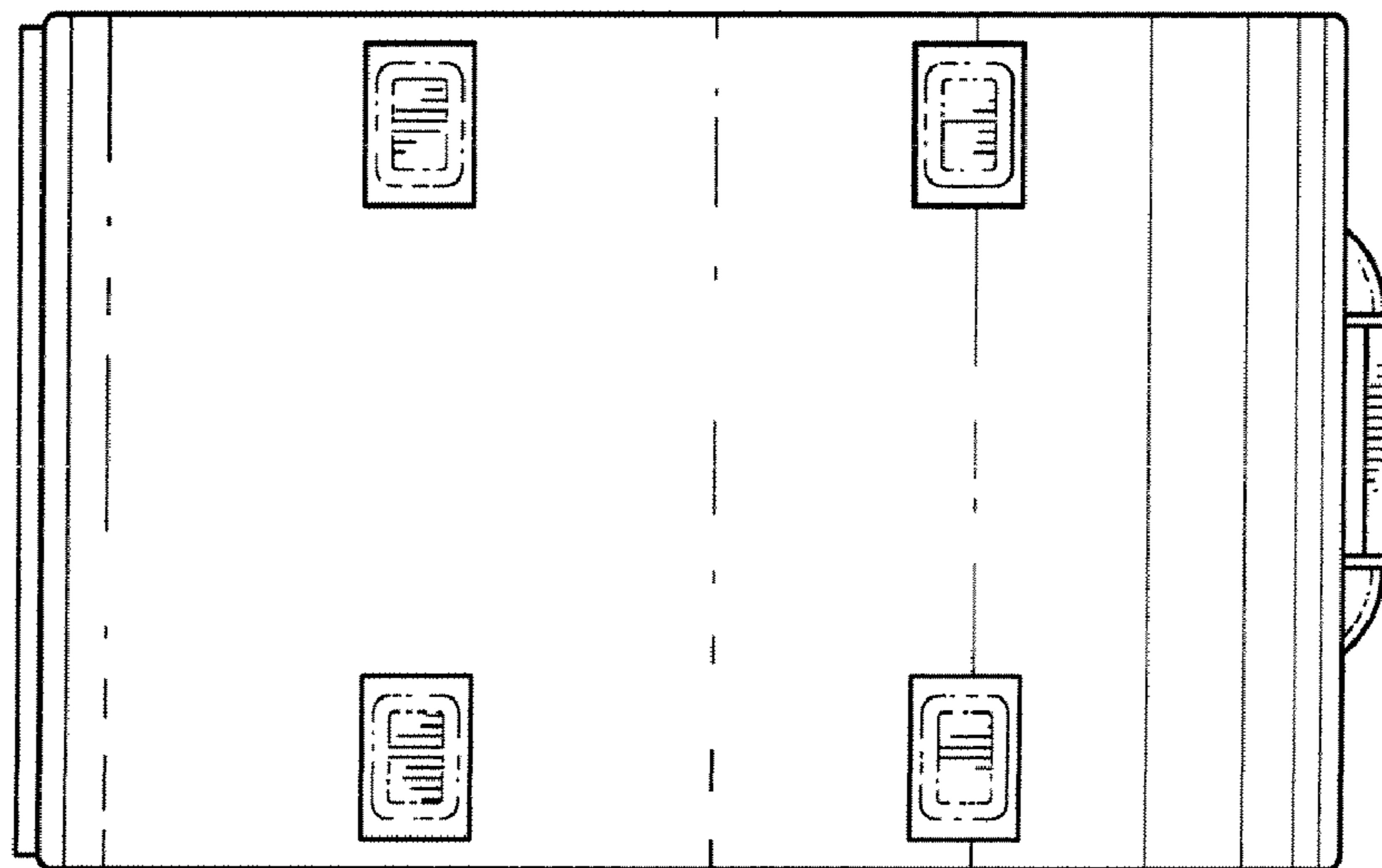
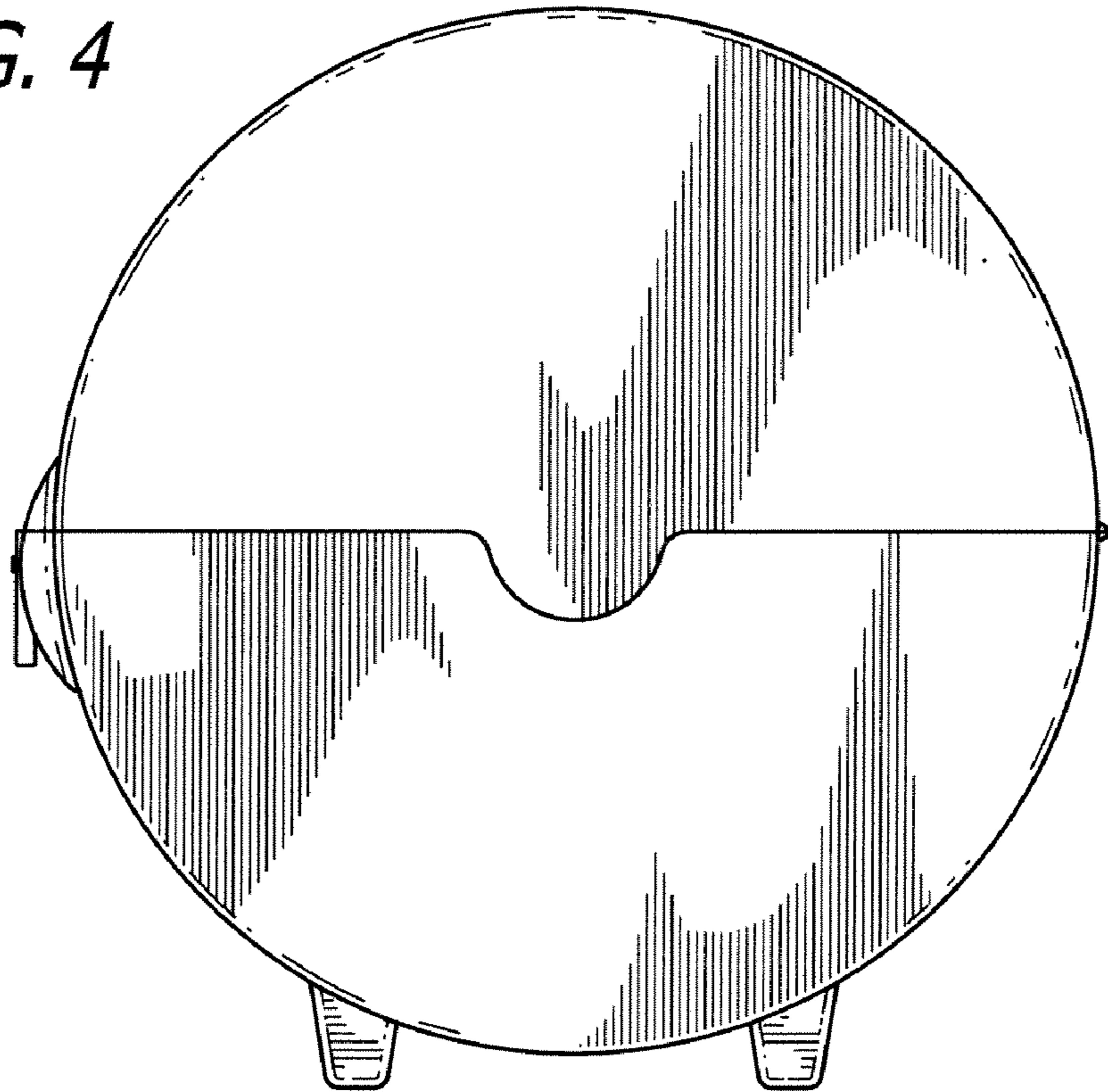


FIG. 5

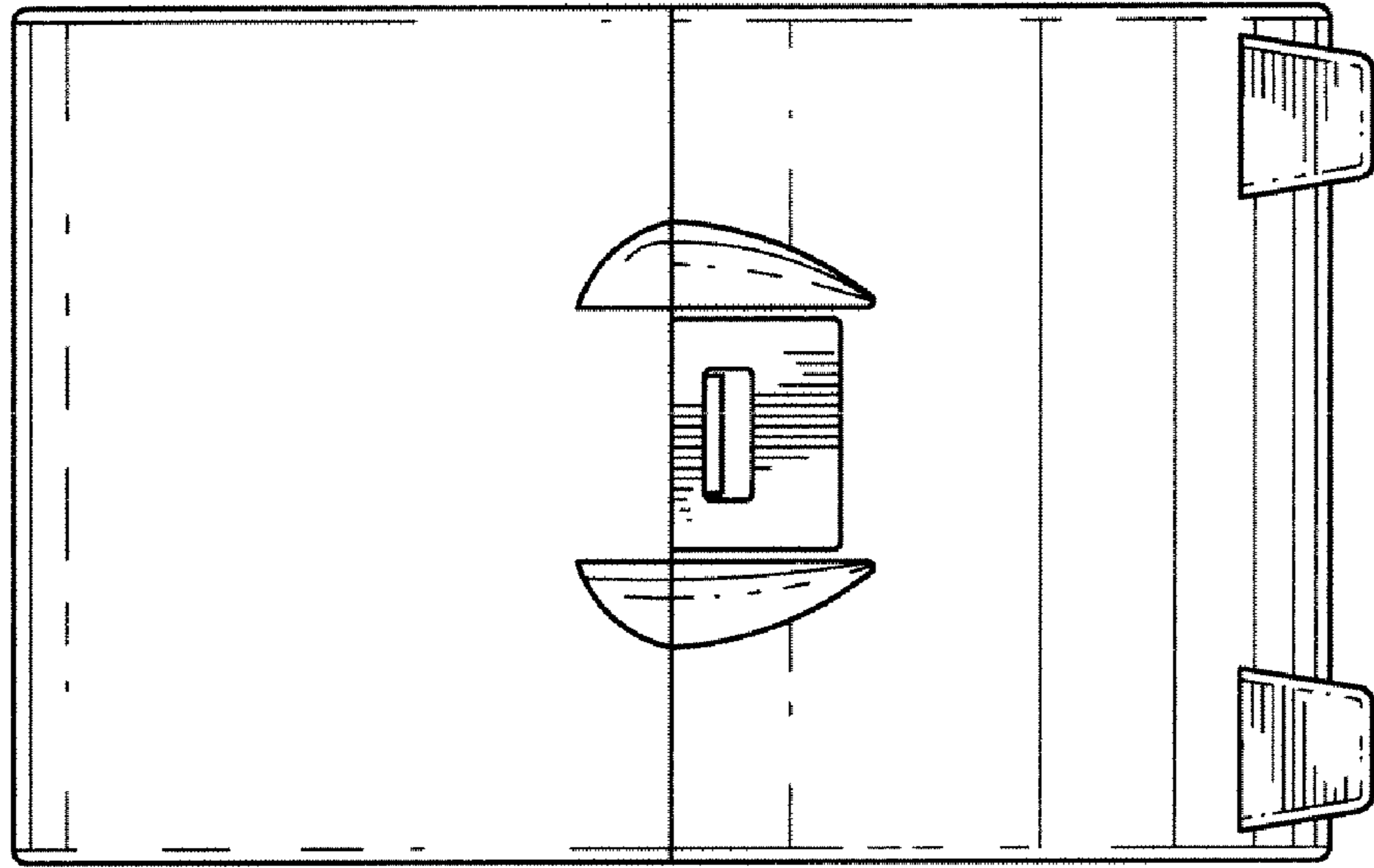


FIG. 7

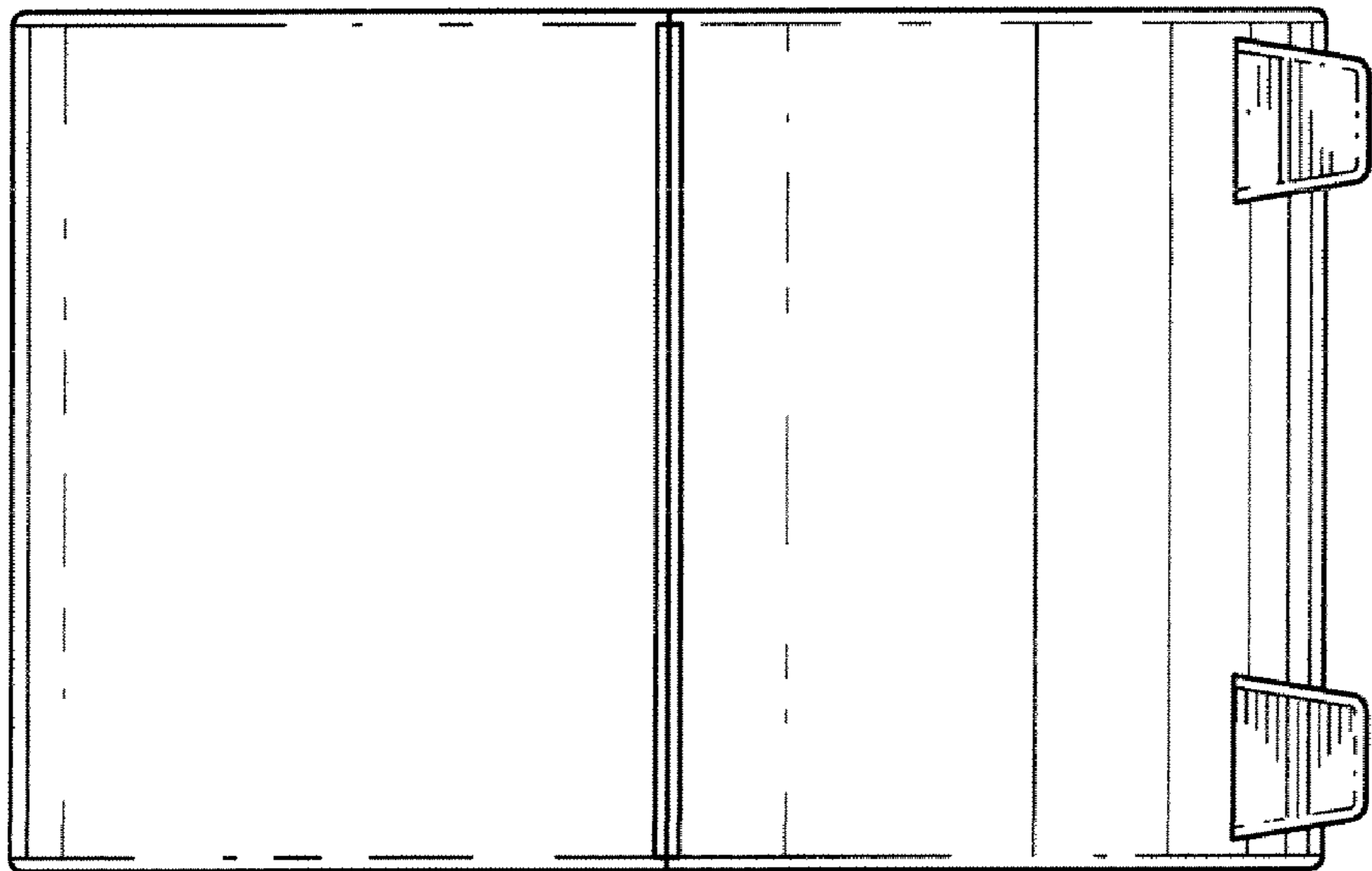


FIG. 6

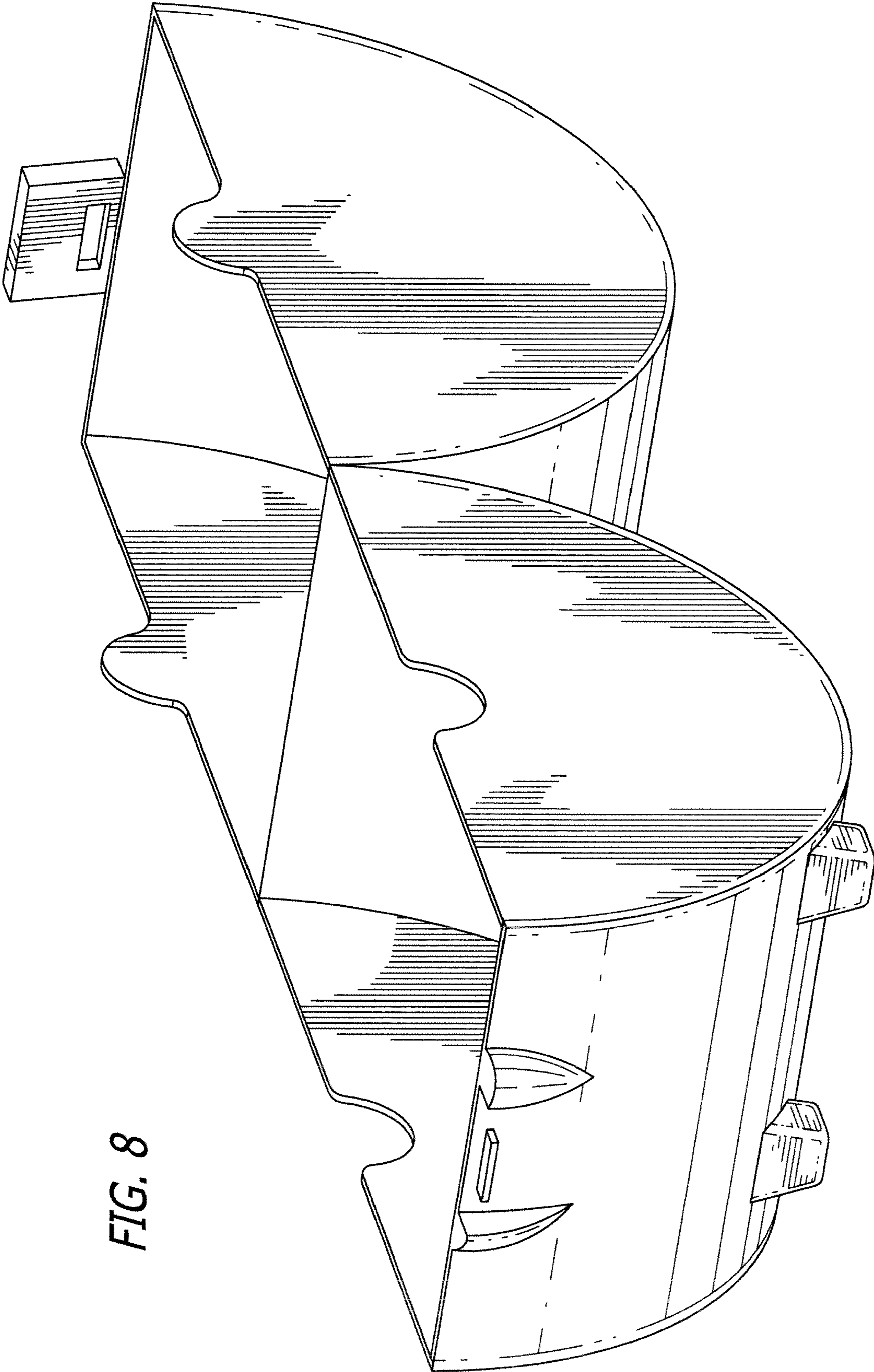


FIG. 8