



US00D551892S

(12) **United States Design Patent**
Huang

(10) **Patent No.:** **US D551,892 S**

(45) **Date of Patent:** **** Oct. 2, 2007**

(54) **COMBINED CD AND DVD CASE AND RACK**

(75) Inventor: **Michael Huang**, San Gabriel, CA (US)

(73) Assignee: **King Bird, Inc.**, City of Industry, CA (US)

(**) Term: **14 Years**

(21) Appl. No.: **29/241,002**

(22) Filed: **Oct. 21, 2005**

(51) **LOC (8) Cl.** **06-02**

(52) **U.S. Cl.** **D6/629**

(58) **Field of Classification Search** D6/407,
D6/626-635; 206/209, 310-313, 751; 211/40,
211/41.1, 41.12, 126.1; D14/435, 436, 299,
D14/478, 479, 483, 474, 477, 363, 364-366,
D14/368; D9/420; D3/271.12, 219, 328,
D3/273, 294, 295, 299, 300, 301, 303; D19/75
See application file for complete search history.

(56) **References Cited**

U.S. PATENT DOCUMENTS

2,956,685	A *	10/1960	Levi	211/40
3,712,477	A *	1/1973	Kieves	211/40
D243,042	S *	1/1977	Dorn	D6/462
D250,434	S *	11/1978	Ekeland	D6/407
D282,324	S *	1/1986	Ellis	D6/475
4,976,092	A *	12/1990	Shuert	53/475
D330,648	S *	11/1992	Lippert	D6/462
5,240,119	A *	8/1993	Feldman	211/26

D341,713	S *	11/1993	Tse	D6/631
D343,201	S *	1/1994	Savage	D21/329
5,344,028	A *	9/1994	Angele	211/40
5,437,376	A *	8/1995	Larsen	211/40
5,697,684	A *	12/1997	Gyovai	312/9.42
D397,903	S *	9/1998	Dardashti	D6/630
6,644,482	B2 *	11/2003	Ku	211/40
D502,220	S *	2/2005	Stravitz	D19/90
6,905,033	B2 *	6/2005	Bennett et al.	211/40

* cited by examiner

Primary Examiner—Ian Simmons

Assistant Examiner—Charles D Hanson

(74) *Attorney, Agent, or Firm*—Chan Law Group LLP

(57) **CLAIM**

The ornamental design for a combined CD and DVD case and rack, as shown and described.

DESCRIPTION

FIG. 1 is a top perspective view of a combined CD and DVD case and rack showing my new design.

FIG. 2 is a rear view thereof.

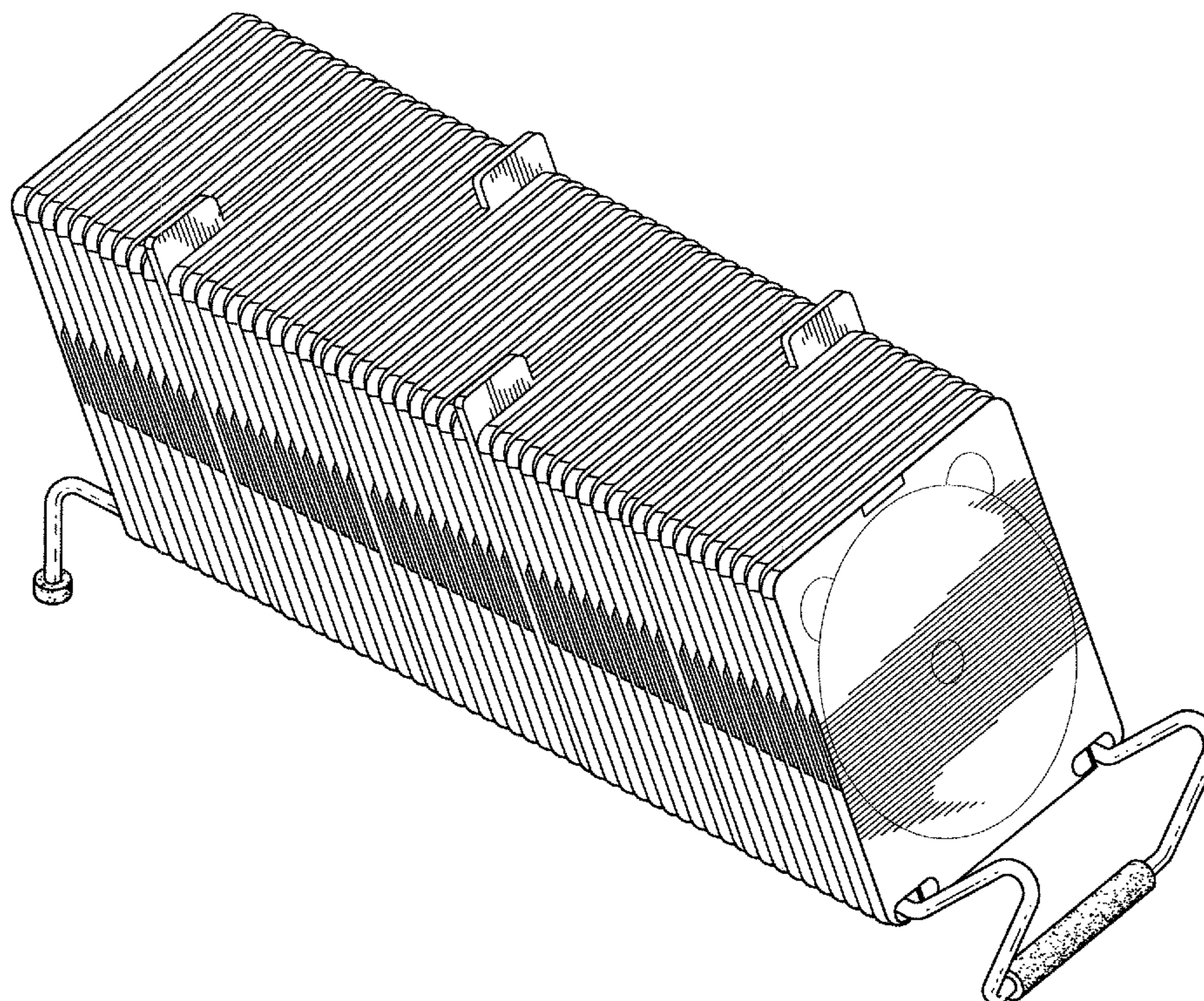
FIG. 3 is a front view thereof.

FIG. 4 is a side view thereof.

FIG. 5 is a top perspective view thereof, with cases removed for ease of illustration; and,

FIG. 6 is a top perspective view thereof, with cases and tabs removed for ease of illustration.

1 Claim, 6 Drawing Sheets



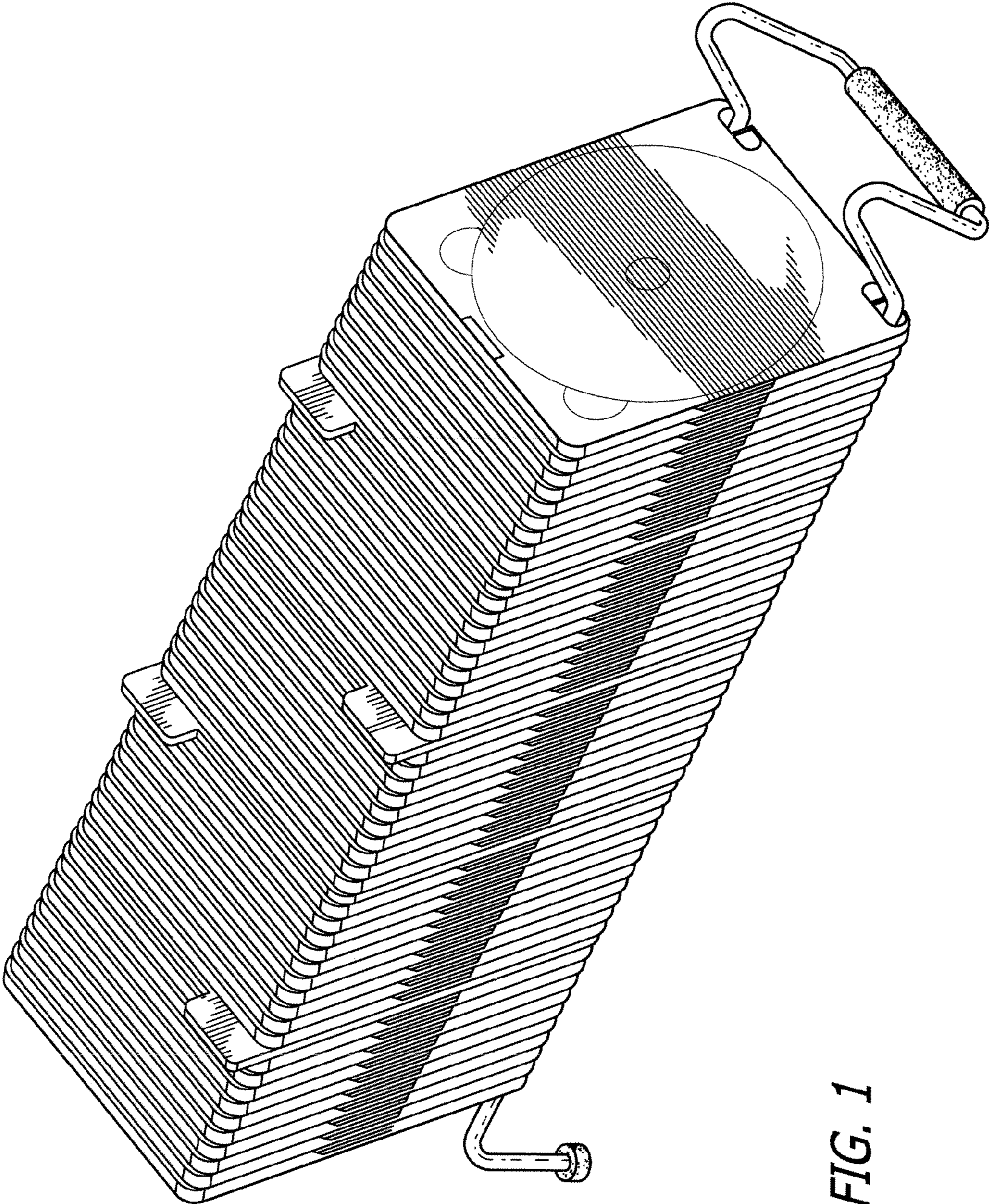


FIG. 1

FIG. 2

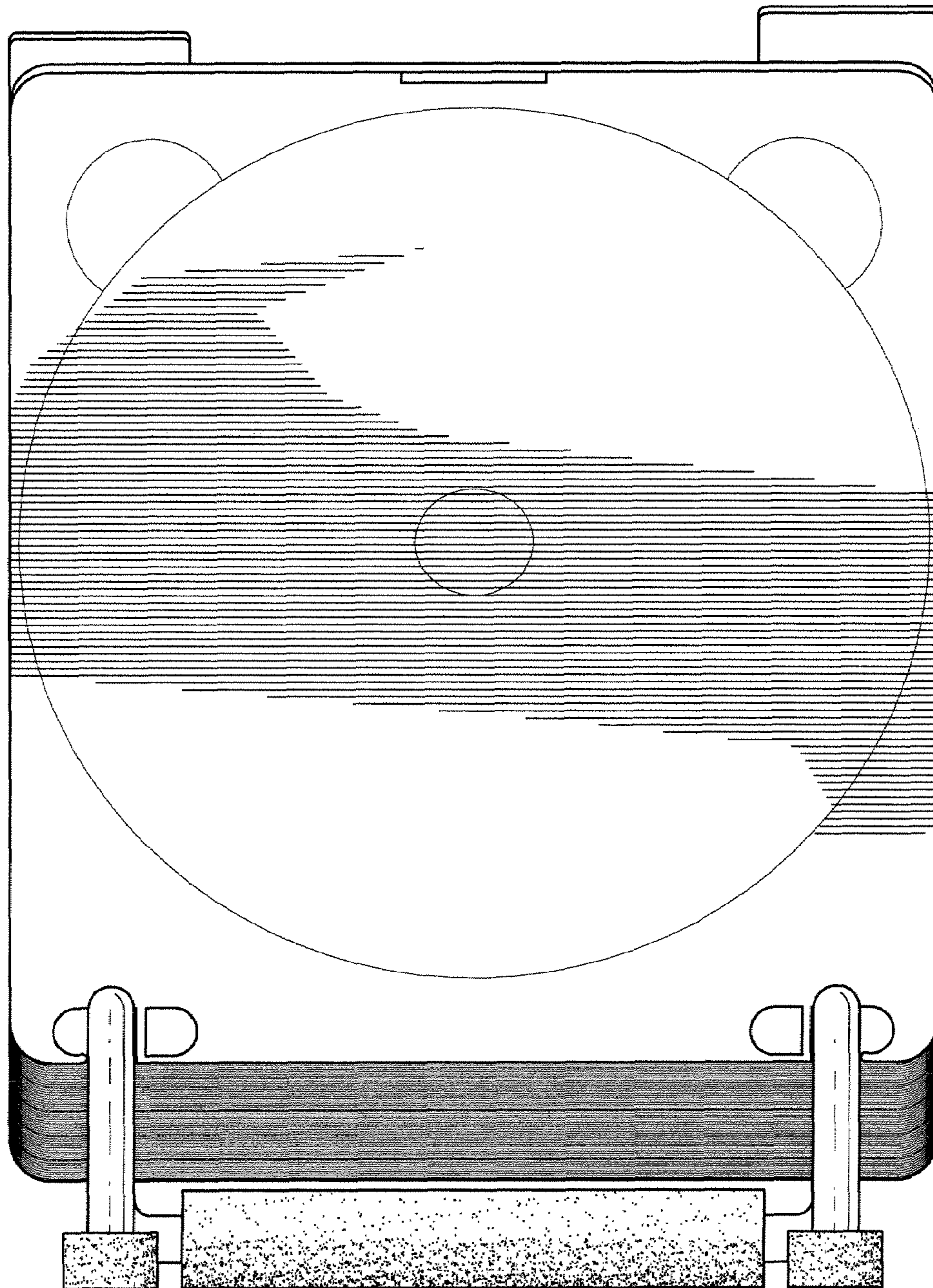
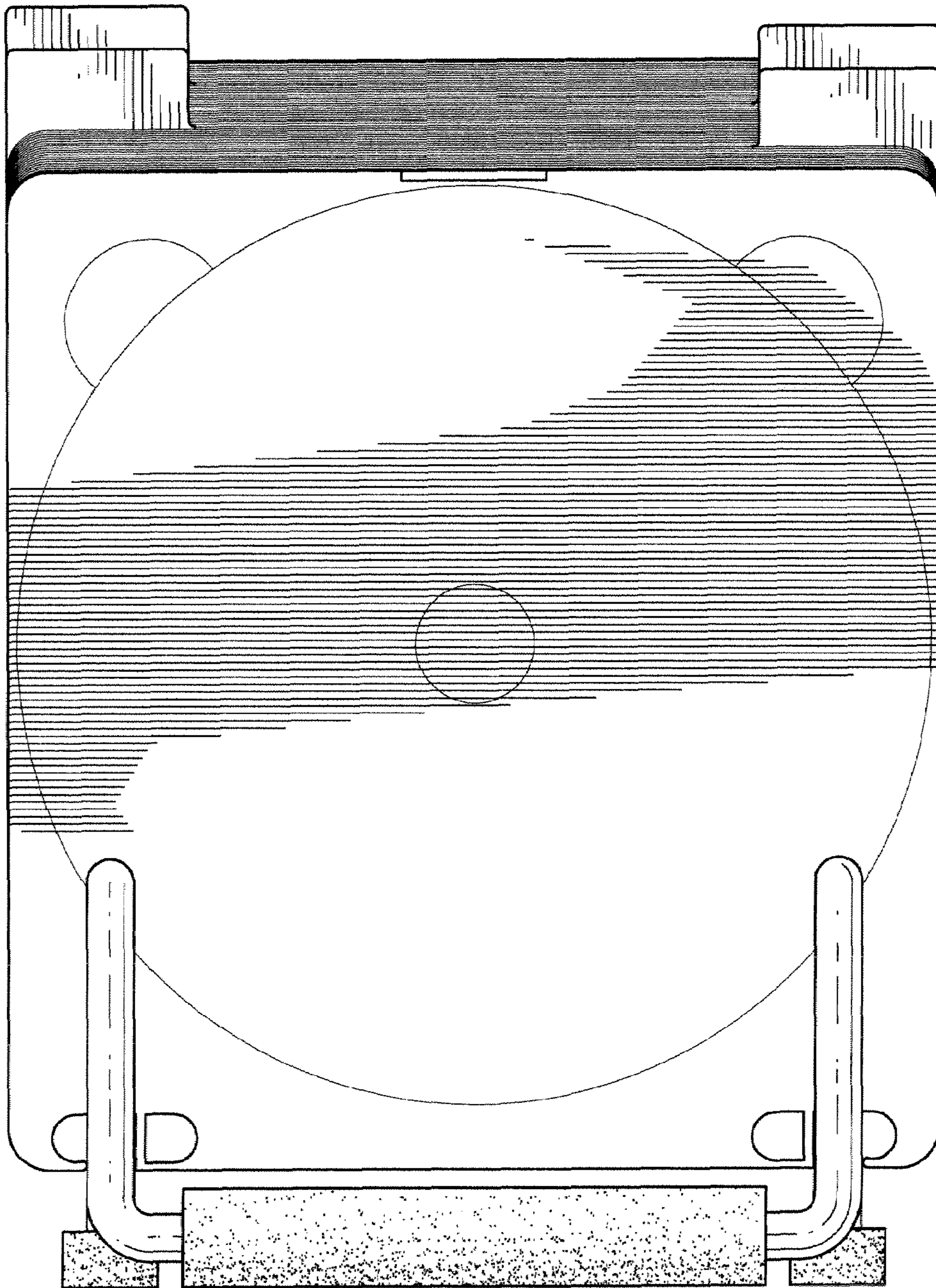


FIG. 3



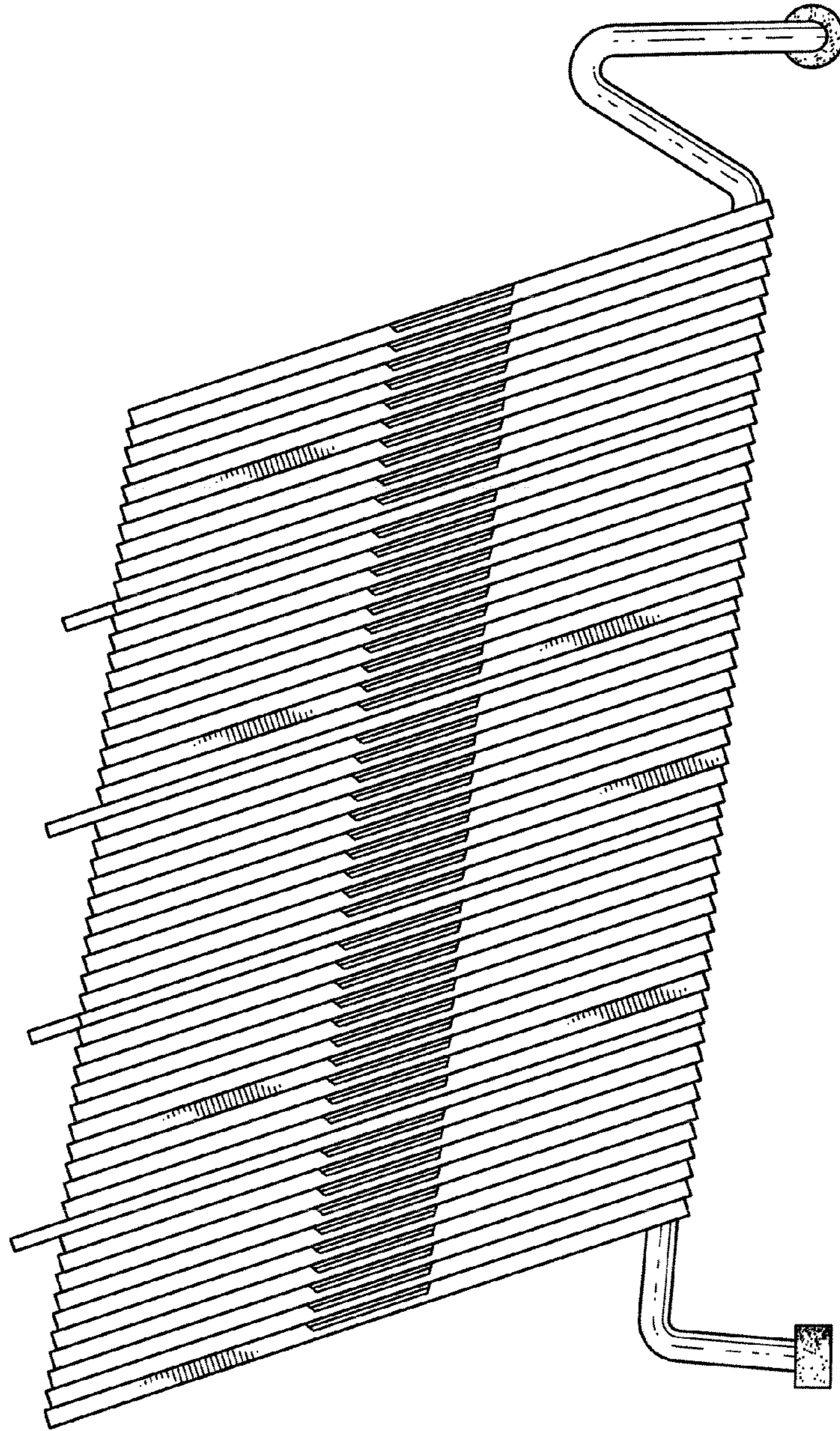


FIG. 4

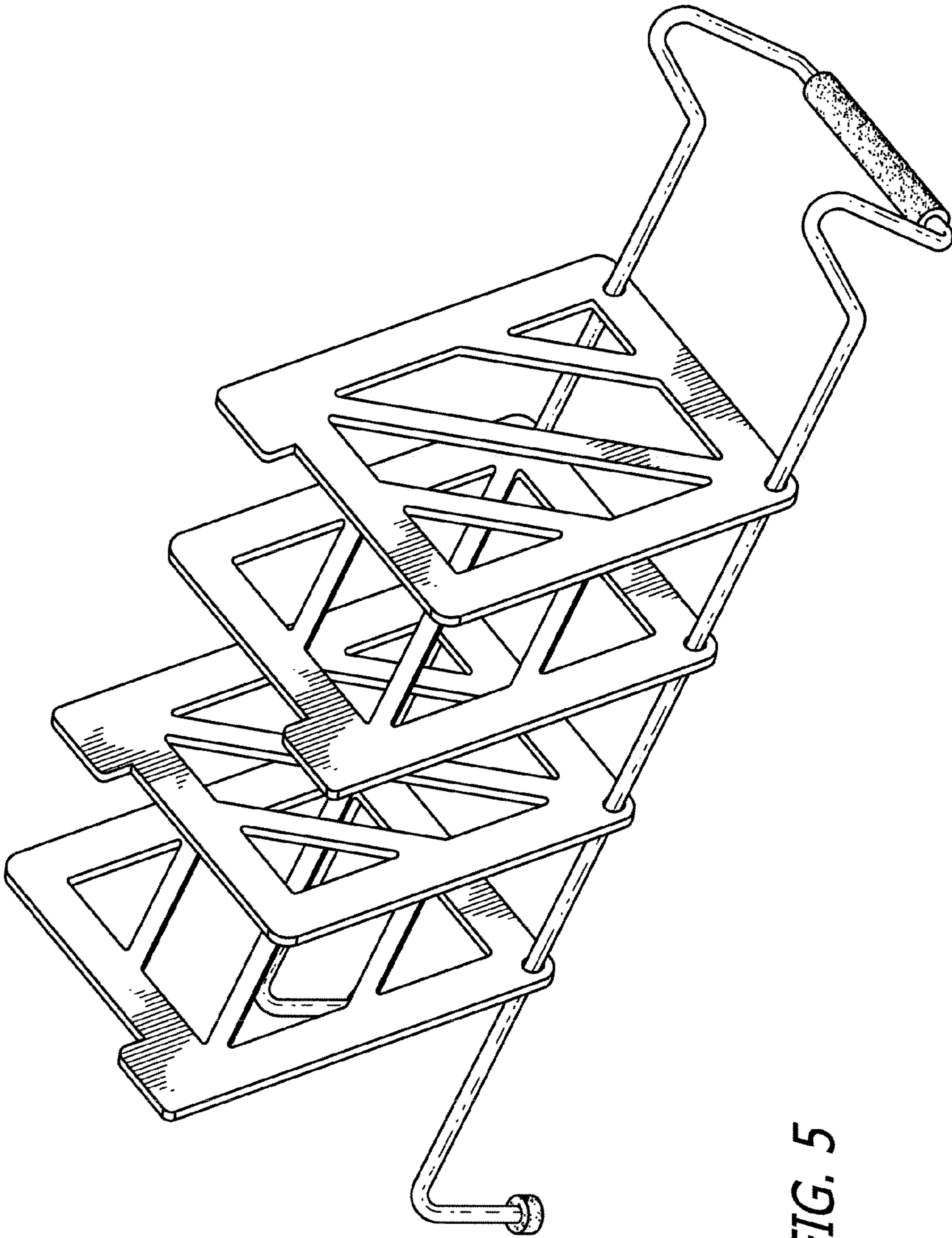


FIG. 5

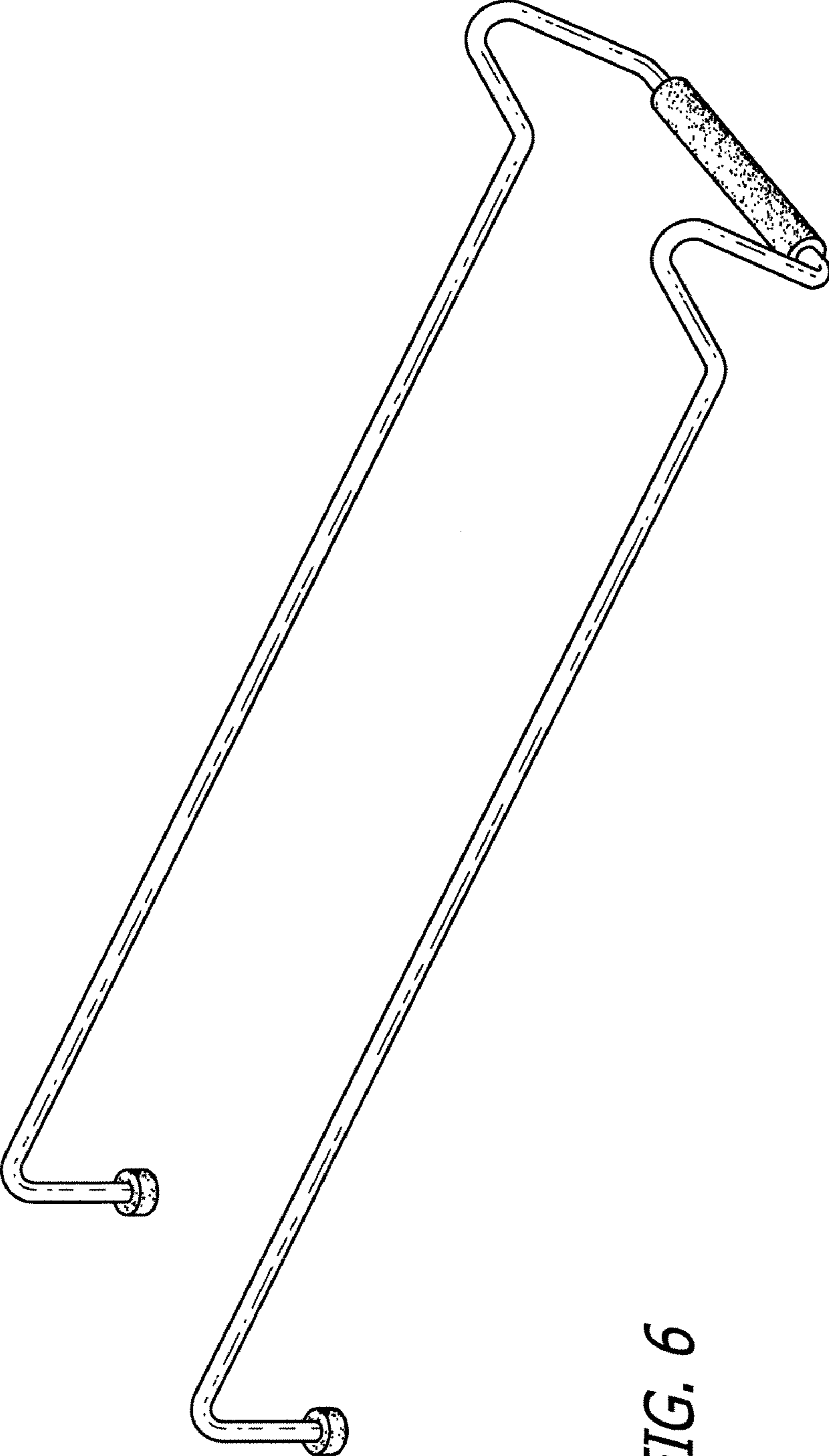


FIG. 6