



US00D551890S

(12) **United States Design Patent**
Gruber

(10) **Patent No.:** **US D551,890 S**

(45) **Date of Patent:** **** Oct. 2, 2007**

(54) **REFRESHMENT ACCOMMODATING SEAT CUSHION**

D413,488 S * 9/1999 Foley D7/553.8
D464,259 S * 10/2002 Bianco D9/761
D488,684 S * 4/2004 Zudal D7/702
D504,045 S * 4/2005 Rediske D6/601

(75) Inventor: **Baylis M. Gruber**, Fort Myers, FL (US)

* cited by examiner

(73) Assignee: **Bay USA**, Cape Coral, FL (US)

Primary Examiner—Robert M. Spear

Assistant Examiner—Mary Ann Calabrese

(**) Term: **14 Years**

(74) *Attorney, Agent, or Firm*—William E. Noonan

(21) Appl. No.: **29/256,127**

(57) **CLAIM**

(22) Filed: **Mar. 15, 2006**

The ornamental design for a refreshment accommodating seat cushion, as shown and described.

(51) **LOC (8) Cl.** **06-09**

(52) **U.S. Cl.** **D6/601**

(58) **Field of Classification Search** D6/335,
D6/502, 595–597, 601, 604; 5/653, 656,
5/655.9; D21/801, 804, 809; D24/183;
D7/553.1, 553.4, 553.5, 553.7, 553.8, 702;
297/188.01, 188.08, 219.1; 220/23.8, 556,
220/575; D9/904; 206/557, 563; 229/904
See application file for complete search history.

DESCRIPTION

FIG. 1 is a top perspective view of the refreshment accommodating seat cushion of this invention;

FIG. 2 is a bottom perspective view of the seat cushion of FIG. 1;

FIG. 3 is a top plan view of the cushion directed at the side that includes the refreshment accommodating receptacles;

FIG. 4 is a side elevational view of the cushion;

FIG. 5 is a bottom plan view of the cushion; and,

FIG. 6 is a side elevational view of the cushion.

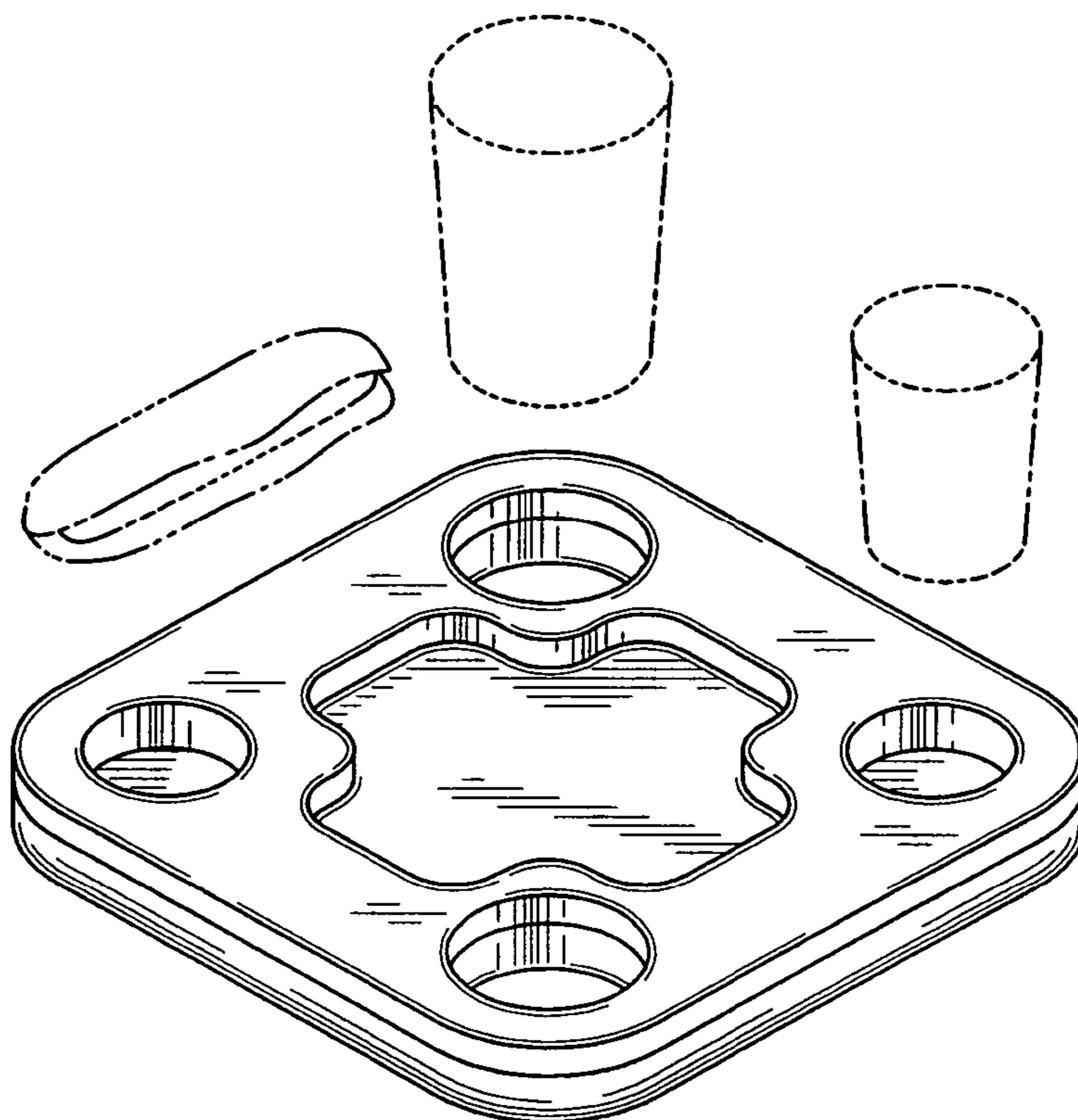
In the drawings the broken lines are for illustrative purposes only and form no part of the claimed design.

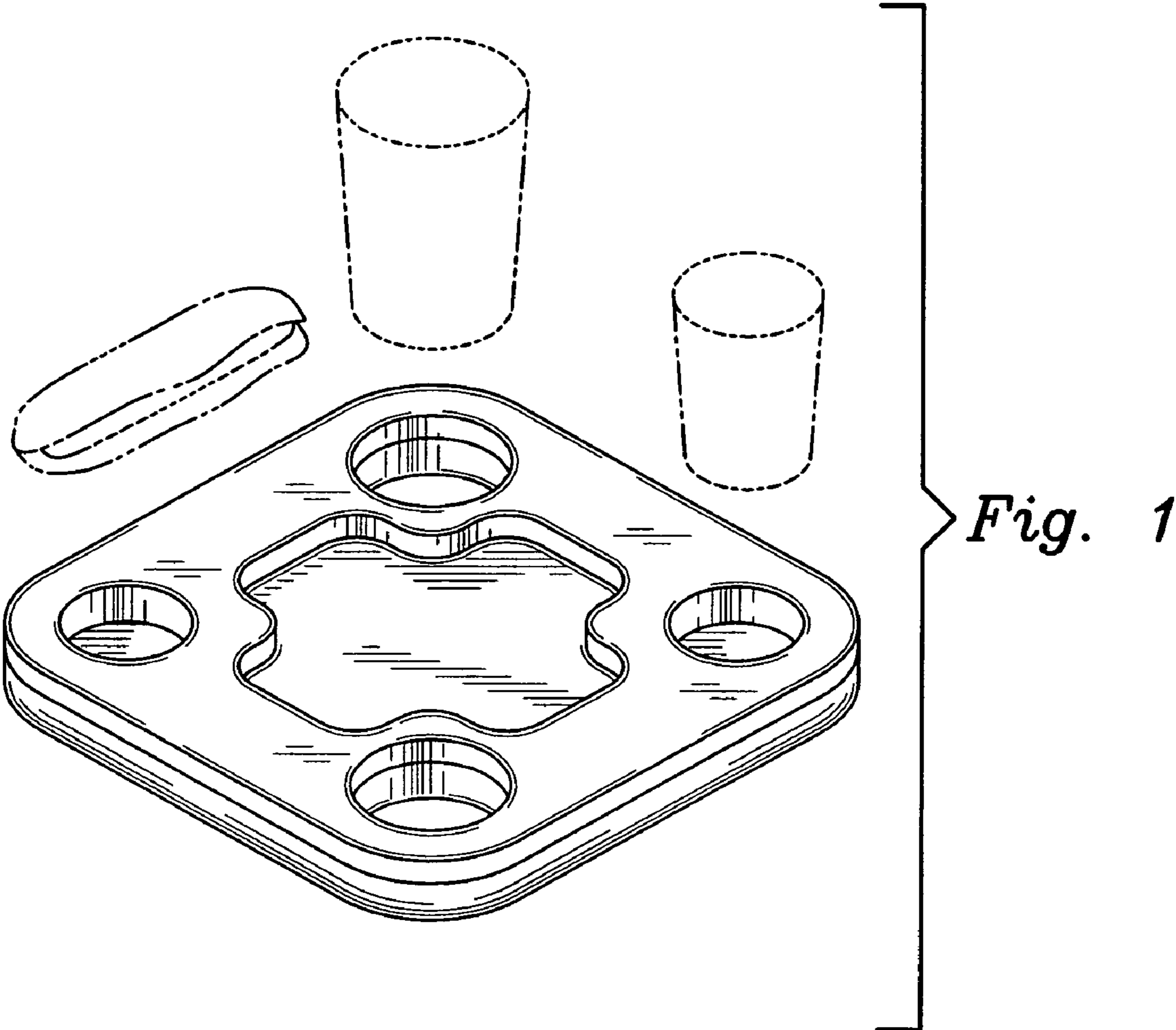
(56) **References Cited**

U.S. PATENT DOCUMENTS

D170,338 S * 9/1953 Randell D7/553.4
D273,926 S * 5/1984 Byrns et al. D6/335
D328,402 S * 8/1992 Christensen D6/601
5,527,091 A * 6/1996 Gruber 297/188.01
D372,829 S * 8/1996 Sirey D6/601

1 Claim, 4 Drawing Sheets





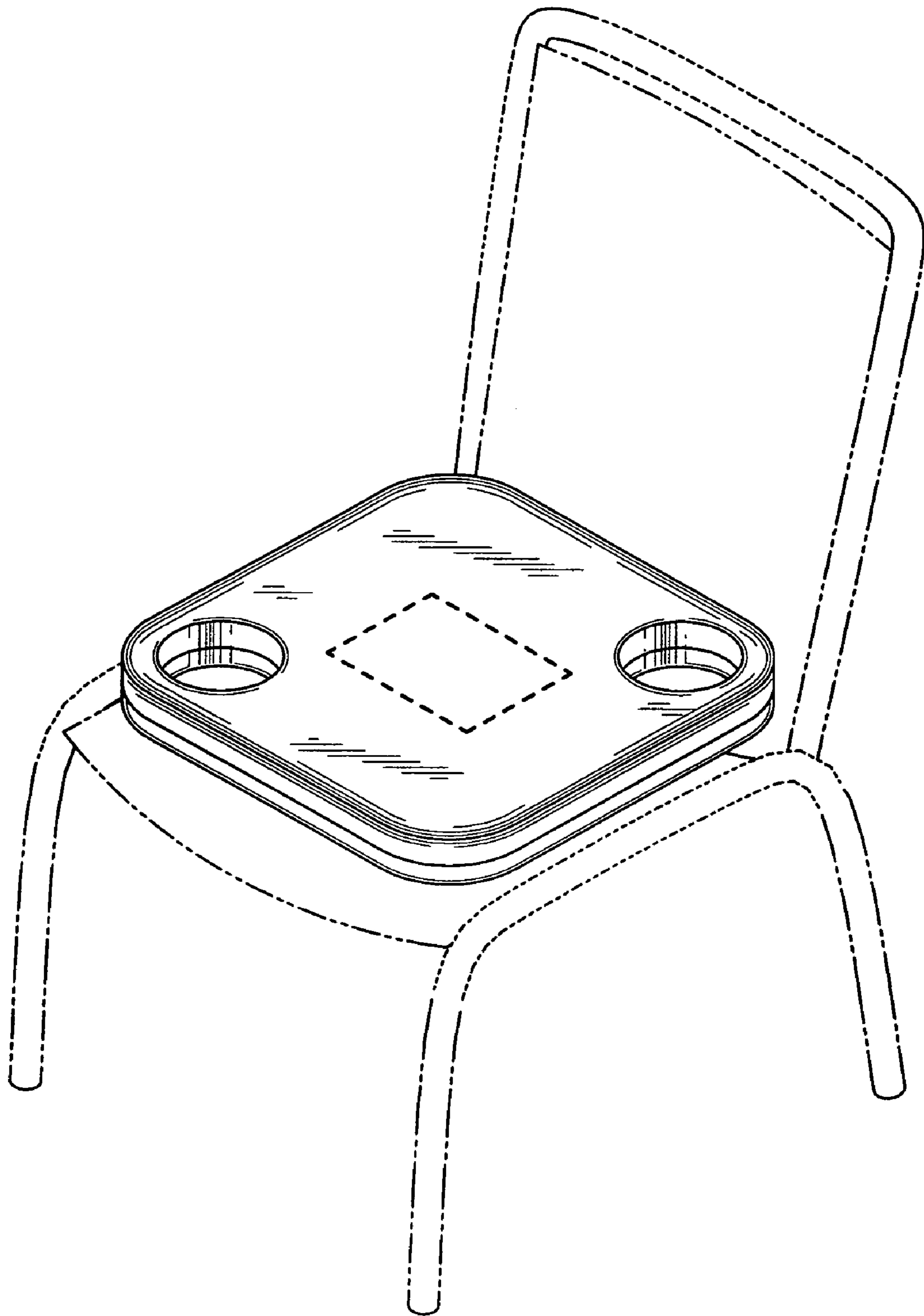


Fig. 2

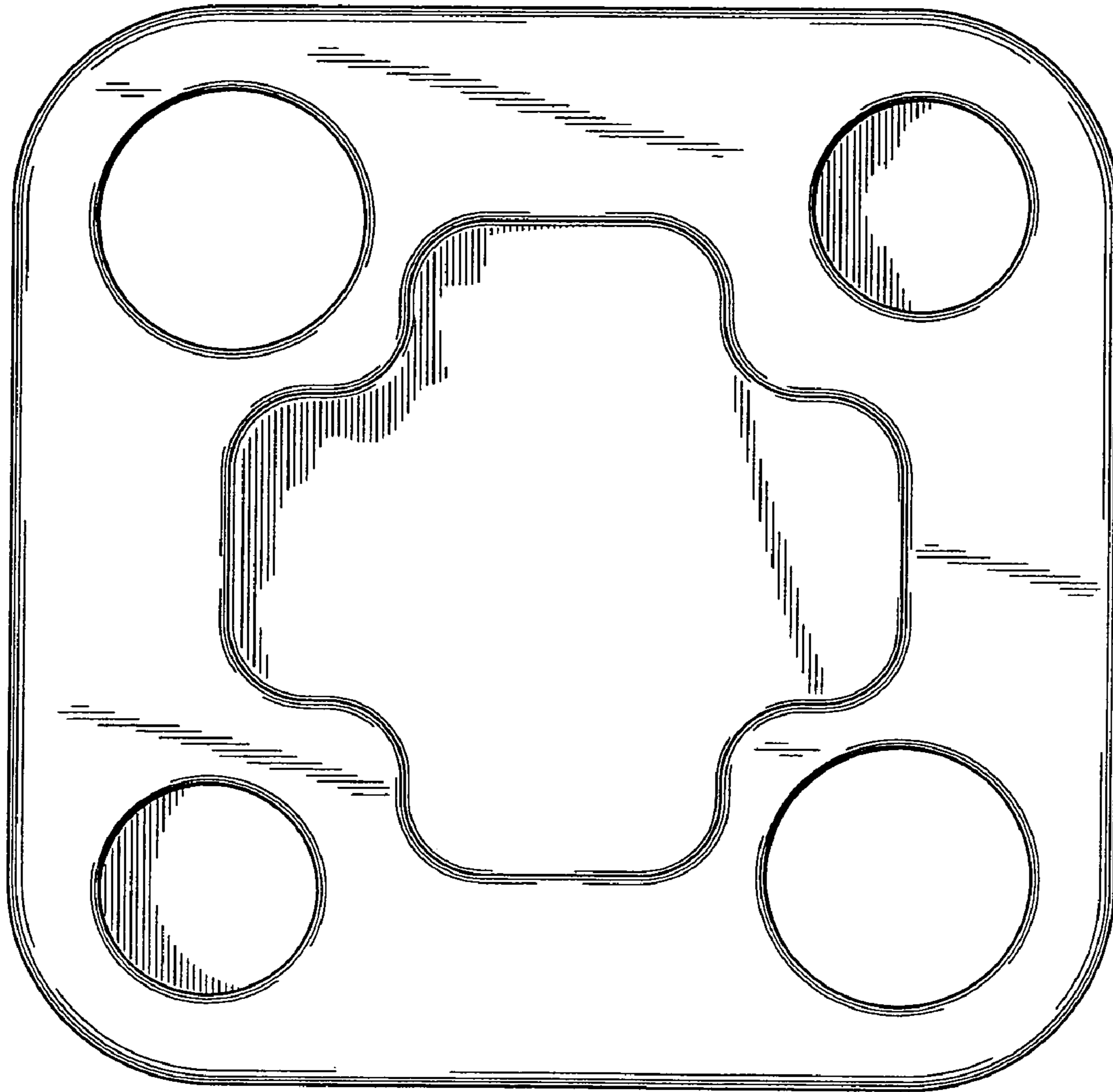


Fig. 3

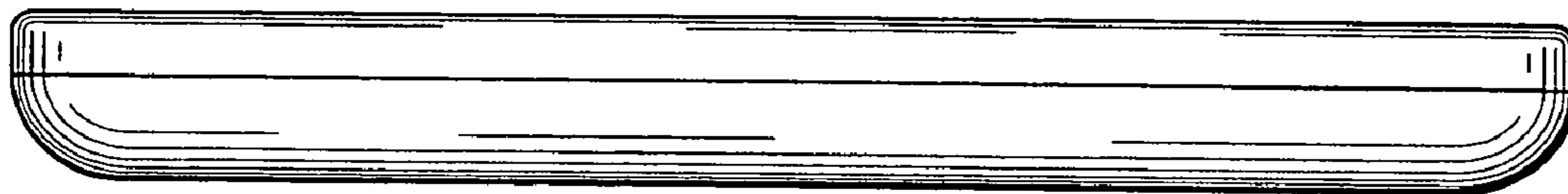


Fig. 4

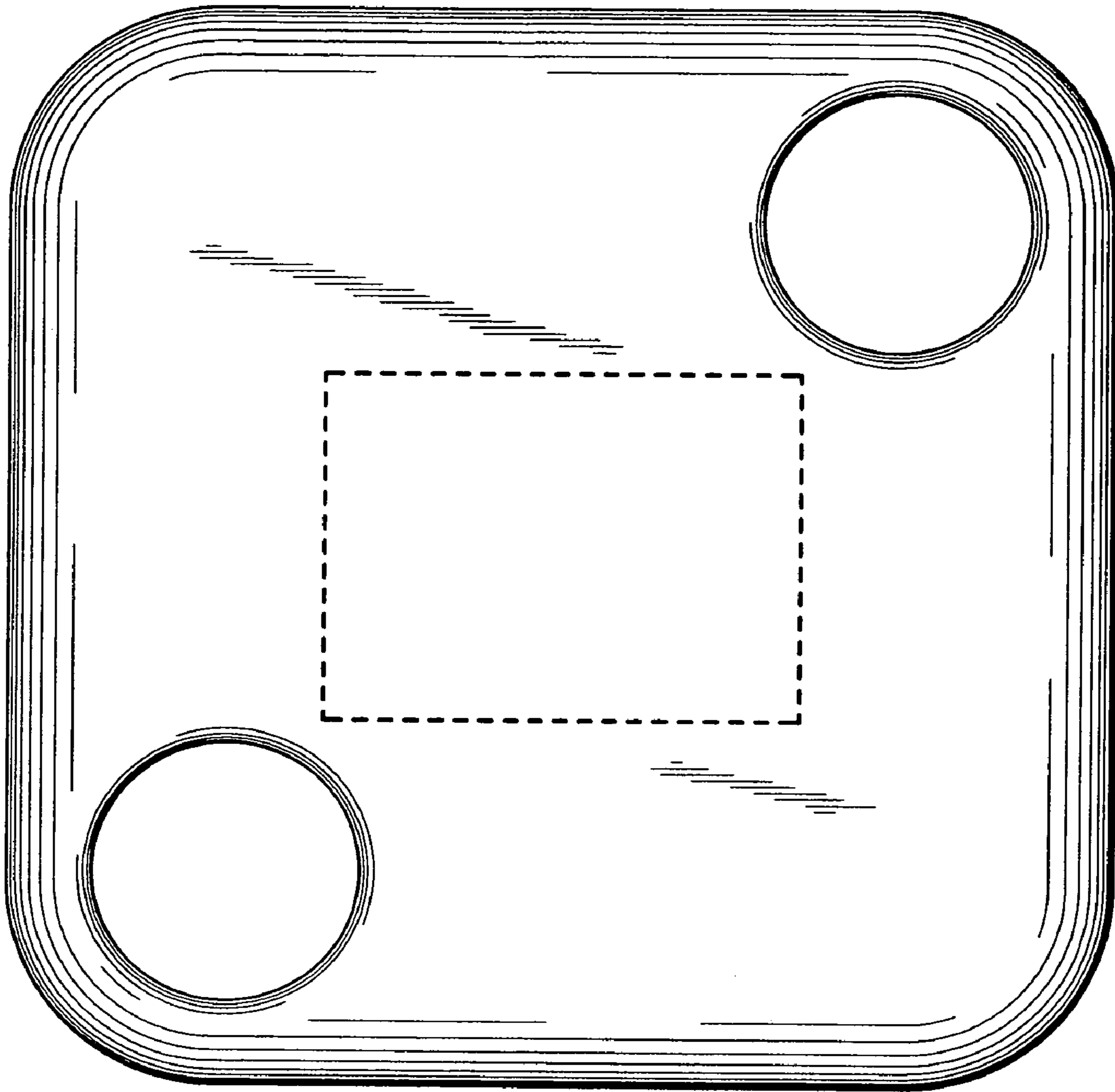


Fig. 5

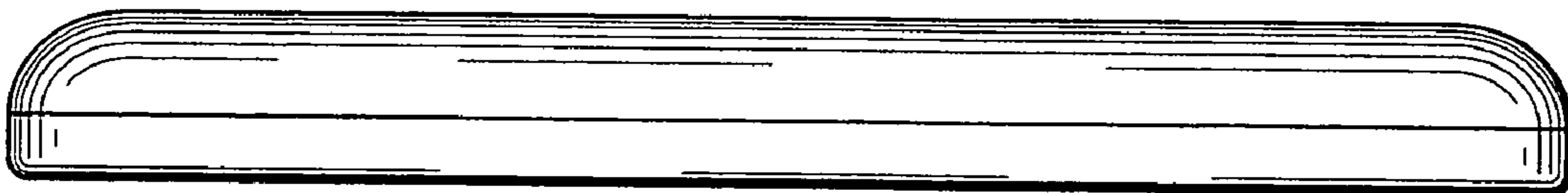


Fig. 6