



US00D551886S

(12) **United States Design Patent** (10) **Patent No.:** **US D551,886 S**  
**Berberet** (45) **Date of Patent:** **\*\* Oct. 2, 2007**

(54) **WALL MOUNTABLE SUPPORT**

(57) **CLAIM**

(75) Inventor: **Suzanne M. Berberet**, Sheboygan, WI (US)

The ornamental design for a wall mountable support, as shown and described.

(73) Assignee: **Kohler Co.**, Kohler, WI (US)

**DESCRIPTION**

(\*\*) Term: **14 Years**

In a preferred embodiment, the nature of this product is a wall mountable support such as for a robe hook, a towel ring, a toilet paper holder, a single rung towel bar, a double rung towel bar, or the like.

(21) Appl. No.: **29/240,076**

(22) Filed: **Oct. 7, 2005**

FIG. 1 is a right, top, front perspective view of a wall mountable support according to my new design with hook environment shown in phantom;

(51) **LOC (8) Cl.** ..... **23-02**

(52) **U.S. Cl.** ..... **D6/524; D6/550**

(58) **Field of Classification Search** ..... D6/546-550, D6/518-523; D8/300, 303, 315-321, 349, D8/354, 363, 373, 380; 108/28-29; 211/13.1, 211/16, 60.1, 100, 86.01, 87.01, 88.01, 88.04, 211/105.1-105.2, 123, 182, 181.1; 248/175, 248/176.1, 251, 302, 309.1; 16/110.1, 412, 16/415; 242/570, 590, 595-598

FIG. 2 is a front elevational view thereof;

FIG. 3 is a right side elevational view thereof, the left side elevational view thereof being a mirror image of the right side shown;

See application file for complete search history.

FIG. 4 is a top plan view thereof, the bottom plan view thereof being a mirror image of the top view shown;

FIG. 5 is a rear elevational view thereof;

(56) **References Cited**

**U.S. PATENT DOCUMENTS**

- D483,585 S \* 12/2003 Chen ..... D6/524
- D497,751 S \* 11/2004 Roberts et al. .... D6/524
- D501,746 S \* 2/2005 Gilbert ..... D6/550
- D516,357 S \* 3/2006 Gilbert et al. .... D6/550
- D520,791 S \* 5/2006 Solowiej ..... D6/550
- D520,793 S \* 5/2006 Gilbert ..... D6/550
- D533,642 S \* 12/2006 Gilbert et al. .... D6/524

FIG. 6 is a right, top, front perspective view of the wall mountable support of FIG. 1 with paper holder environment shown in phantom;

FIG. 7 is a right, top, front perspective view of the wall mountable support of FIG. 1 with single bar environment shown in phantom;

FIG. 8 is a right, top, front perspective view of the wall mountable support of FIG. 1 with double bar environment shown in phantom; and,

**OTHER PUBLICATIONS**

American Standard at website [www.faucet.com](http://www.faucet.com) "Town Square Accessories" Model 2555.018 Towel Bar, date printed Oct. 7, 2005.  
American Standard, at website [www.faucet.com](http://www.faucet.com) "Town Square Accessories" Model 2555.061, Paper Holder, date printed Oct. 7, 2005.

FIG. 9 is a right, top, front perspective view of the wall mountable support of FIG. 1 with ring environment shown in phantom.

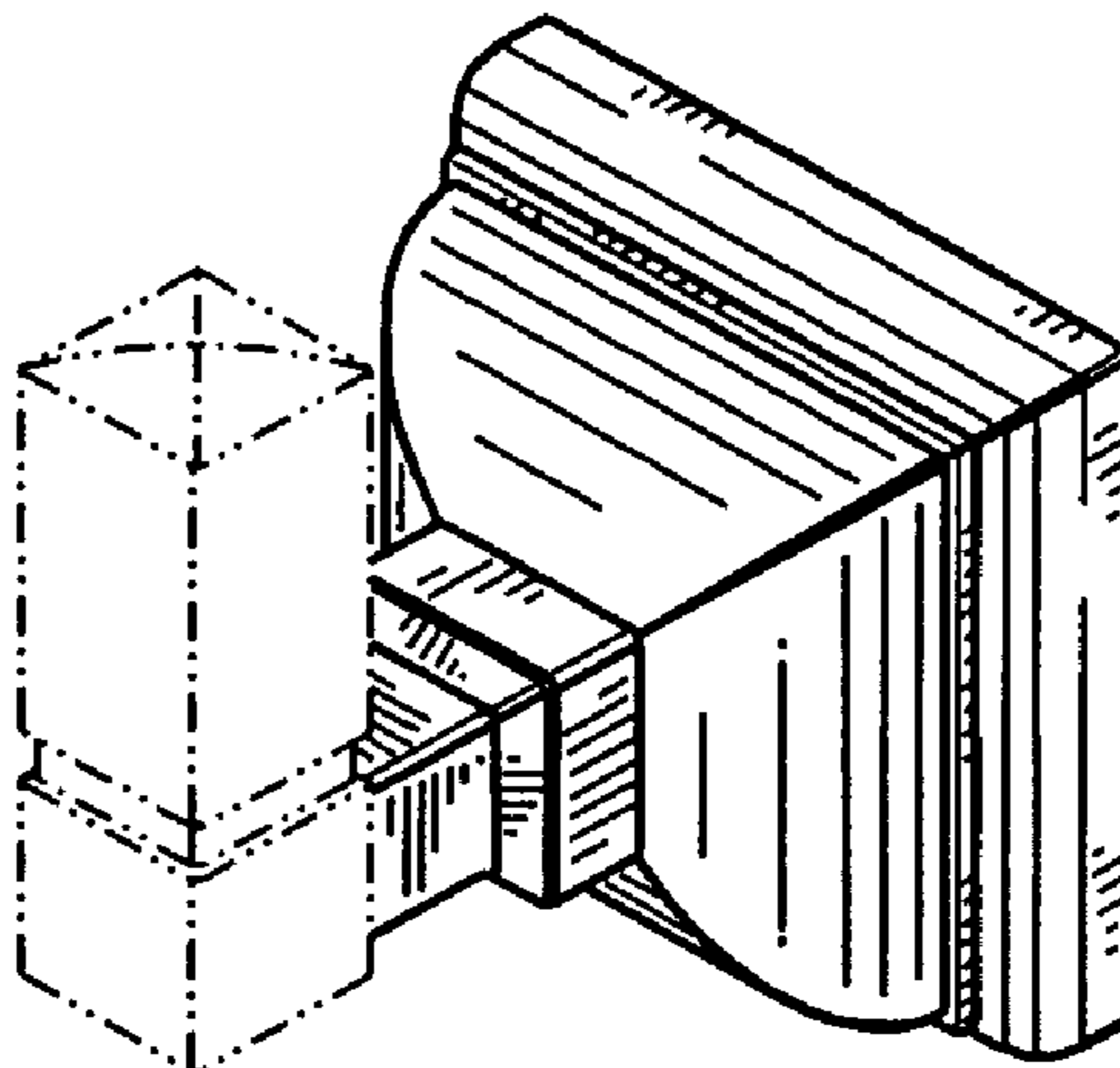
The broken line representations of rear mounting structure in FIG. 5, hook environment in FIGS. 1-5, paper holder environment in FIG. 6, single towel bar environment in FIG. 7, double towel bar environment in FIG. 8, and ring environment in FIG. 9 are for the purpose of illustration only, and form no part of the claimed design.

(Continued)

Primary Examiner—Brian N Vinson

(74) Attorney, Agent, or Firm—Quarles & Brady LLP

**1 Claim, 5 Drawing Sheets**



OTHER PUBLICATIONS

Kohler, at website [www.us.kohler.com](http://www.us.kohler.com) "Devonshire 24" double towel bar, K-10553, date printed Oct. 7, 2005.

Kohler, at website [www.us.kohler.com](http://www.us.kohler.com) "Memoirs towel ring with Stately design", K-487, date printed Oct. 7, 2005.

American Standard, at website [www.faucet.com](http://www.faucet.com) "Town Square Accessories" Model No. 2555.021, Towel ring, dated Oct. 7, 2005.

Baldwin, at website [www.faucet.com](http://www.faucet.com) "Stonegate" Model 3595 Robe hook, date printed Oct. 7, 2005.

\* cited by examiner

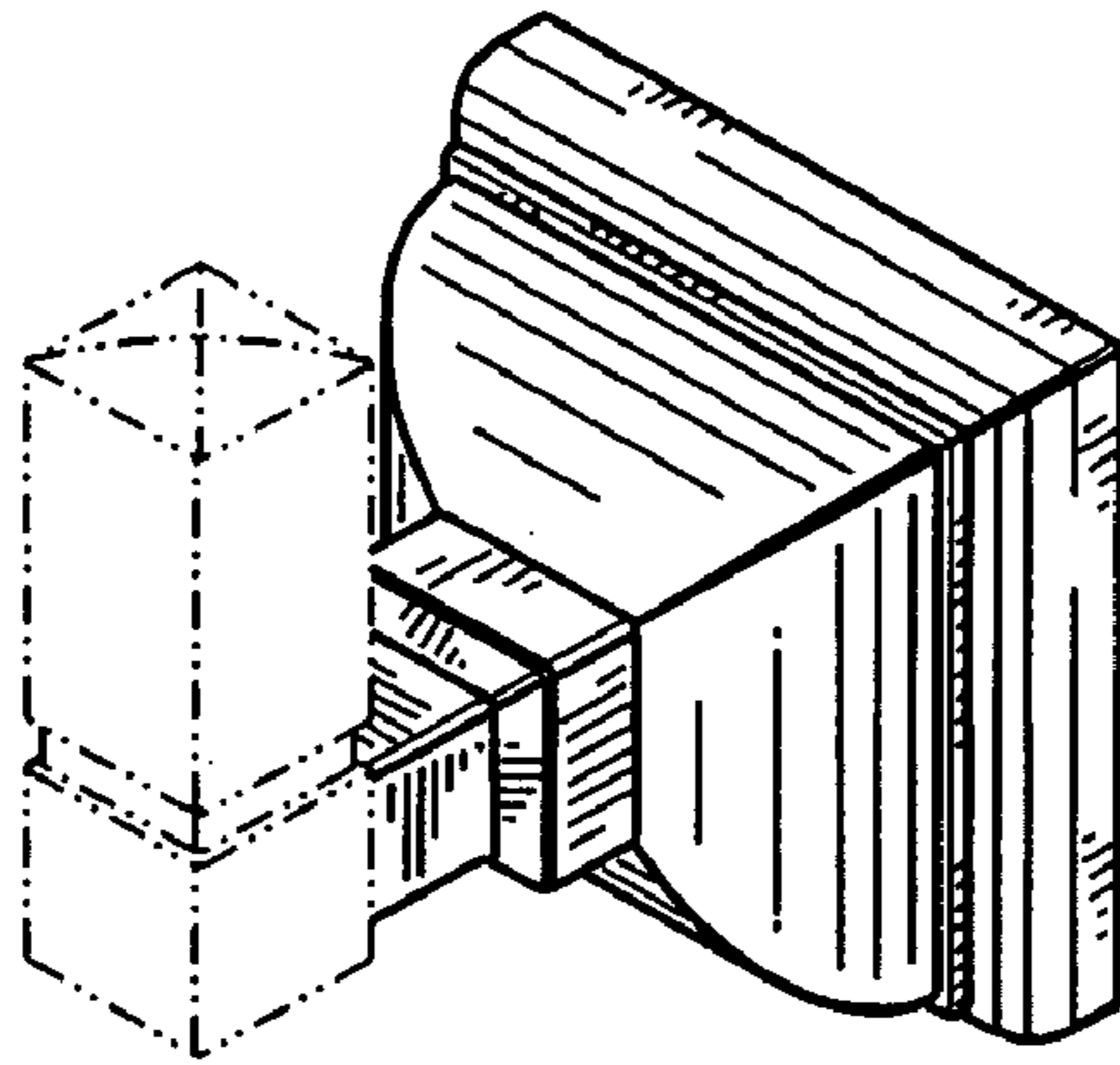


FIG. 1

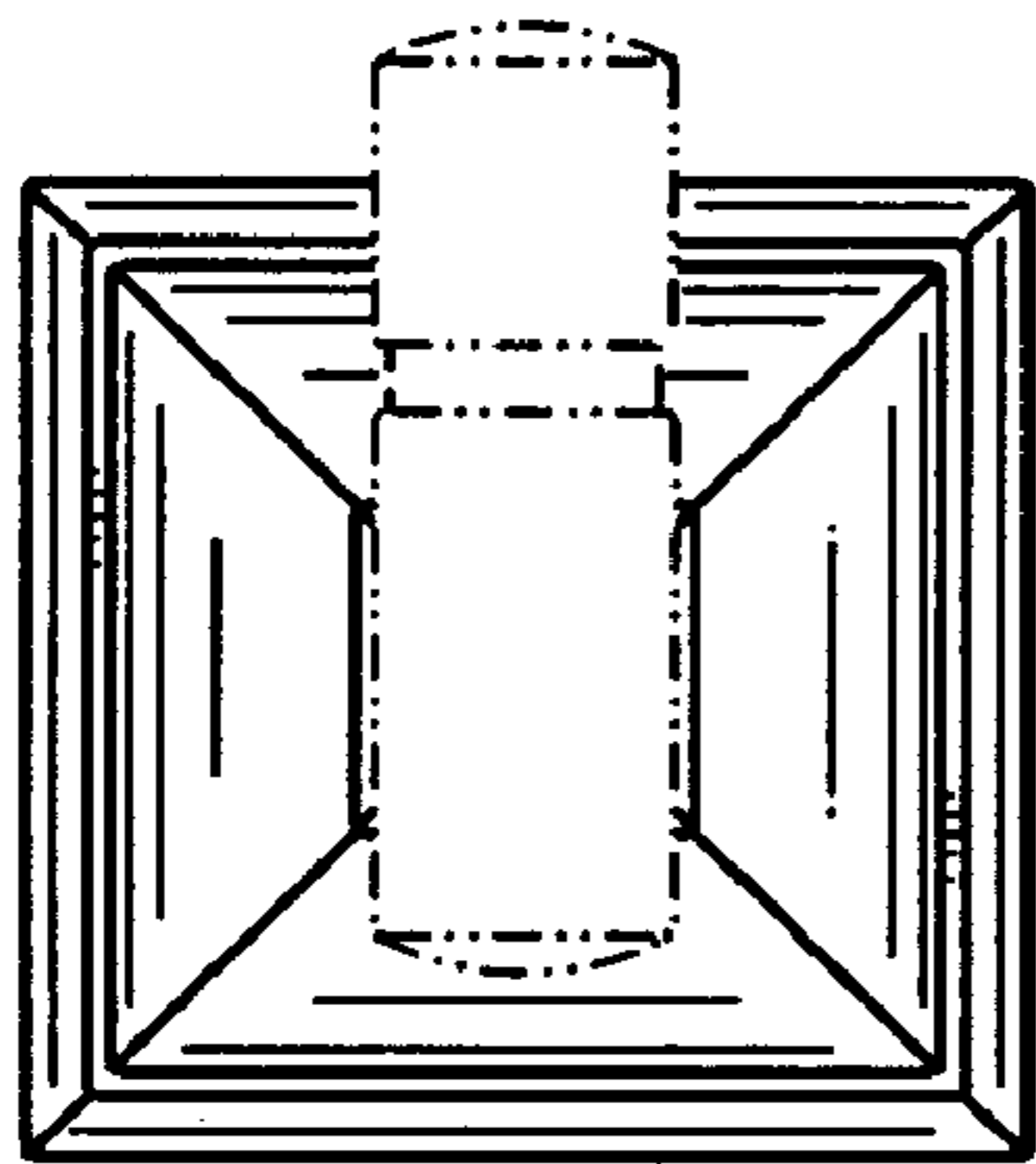


FIG. 2

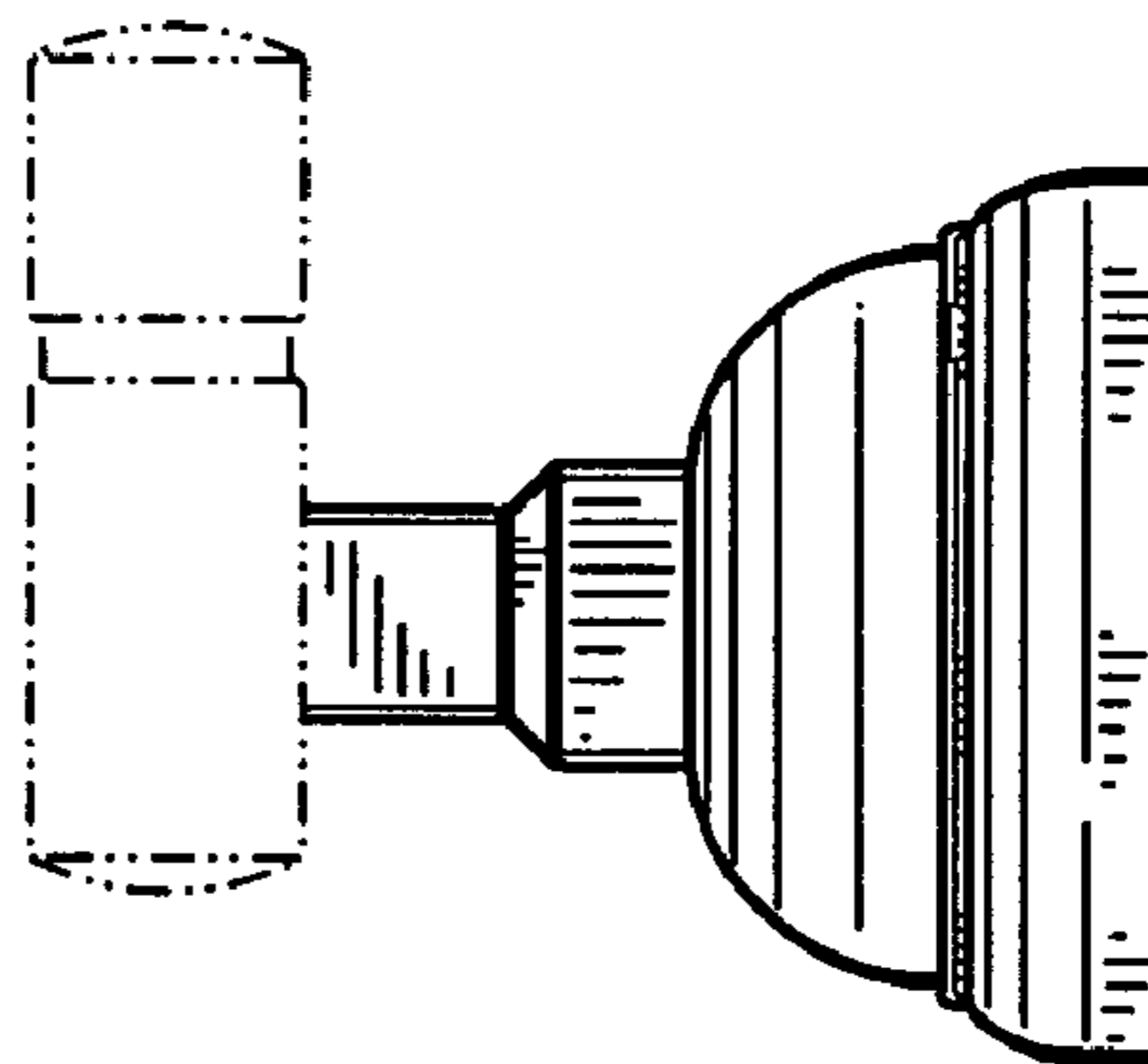


FIG. 3

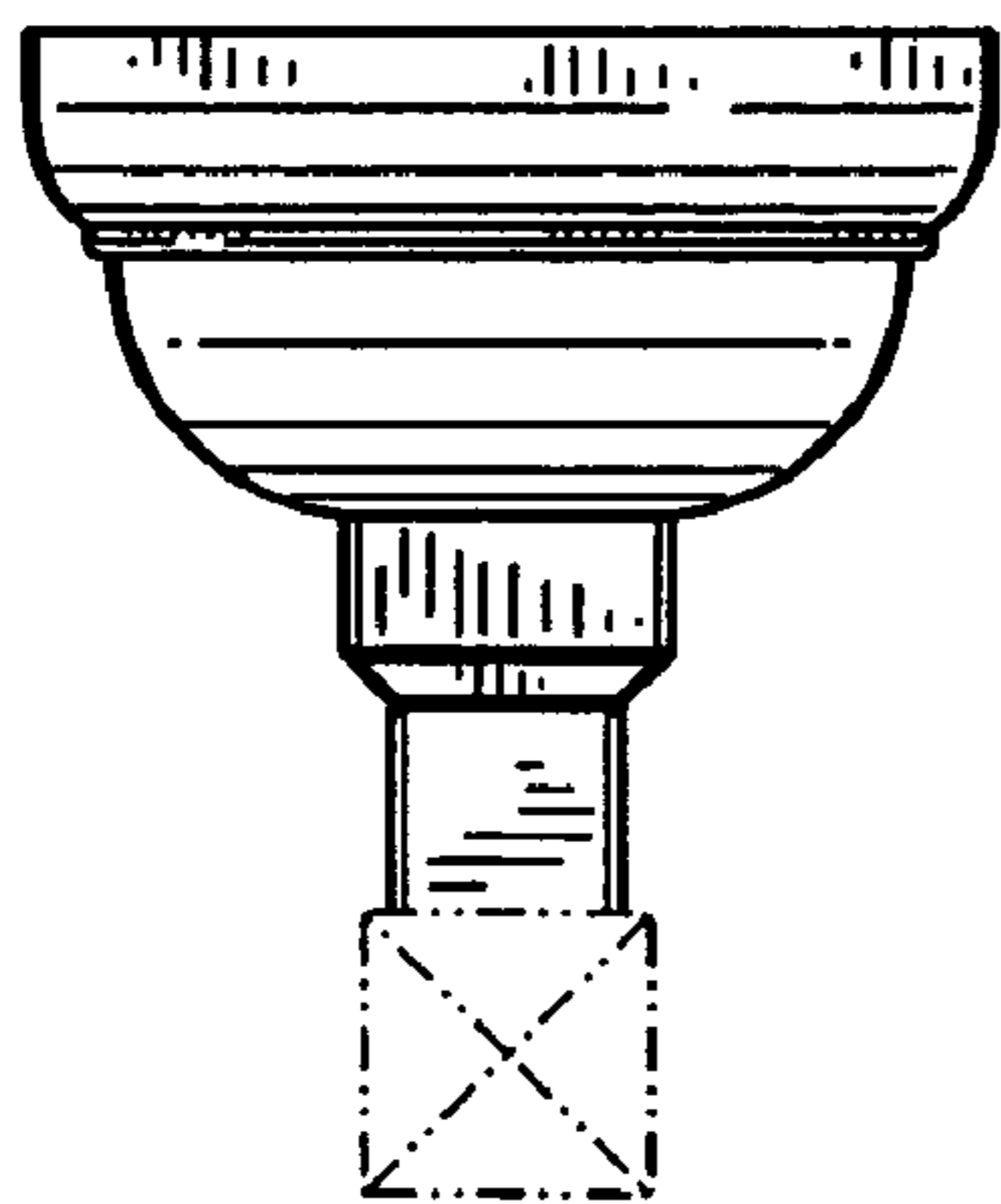


FIG. 4

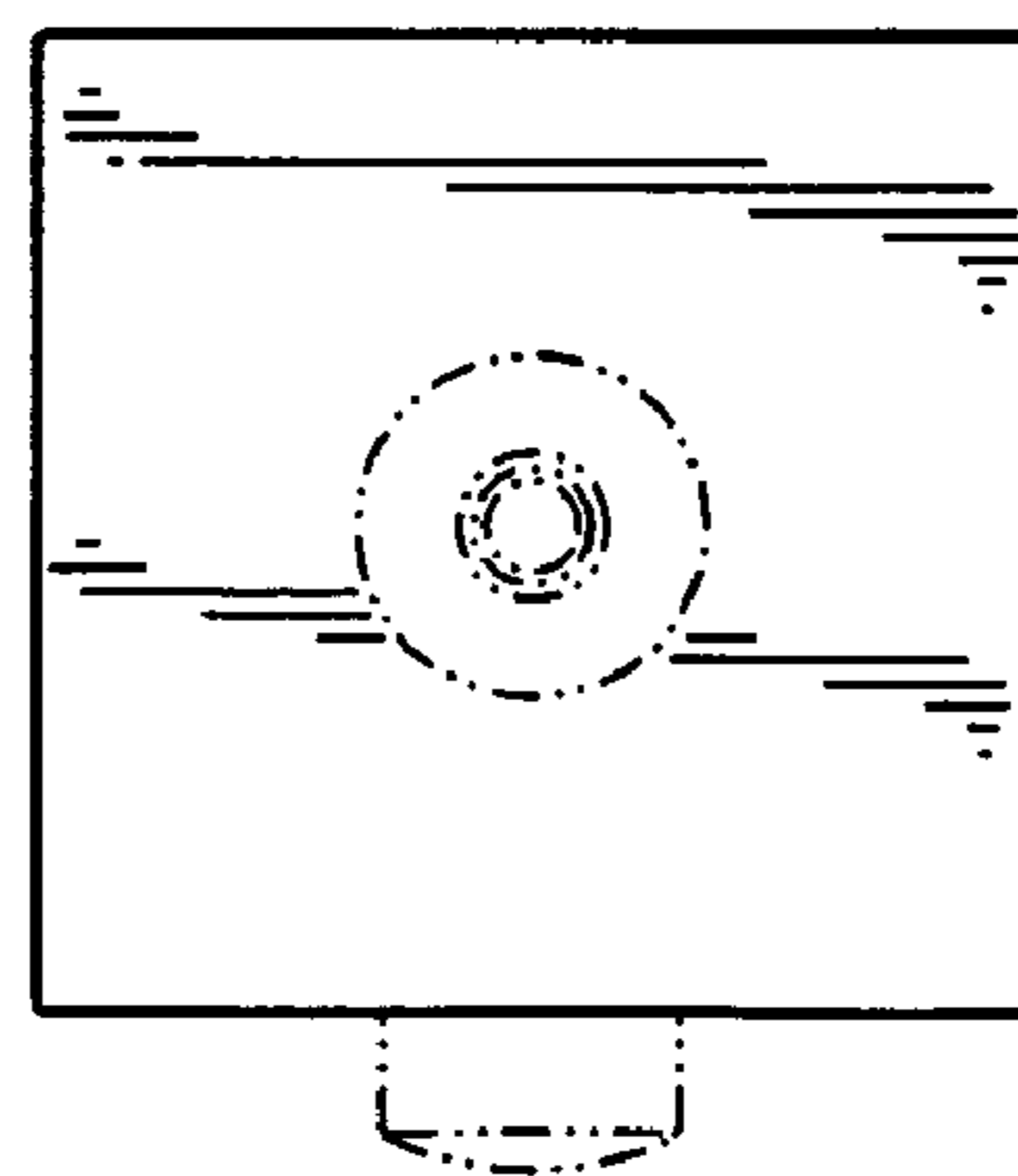


FIG. 5

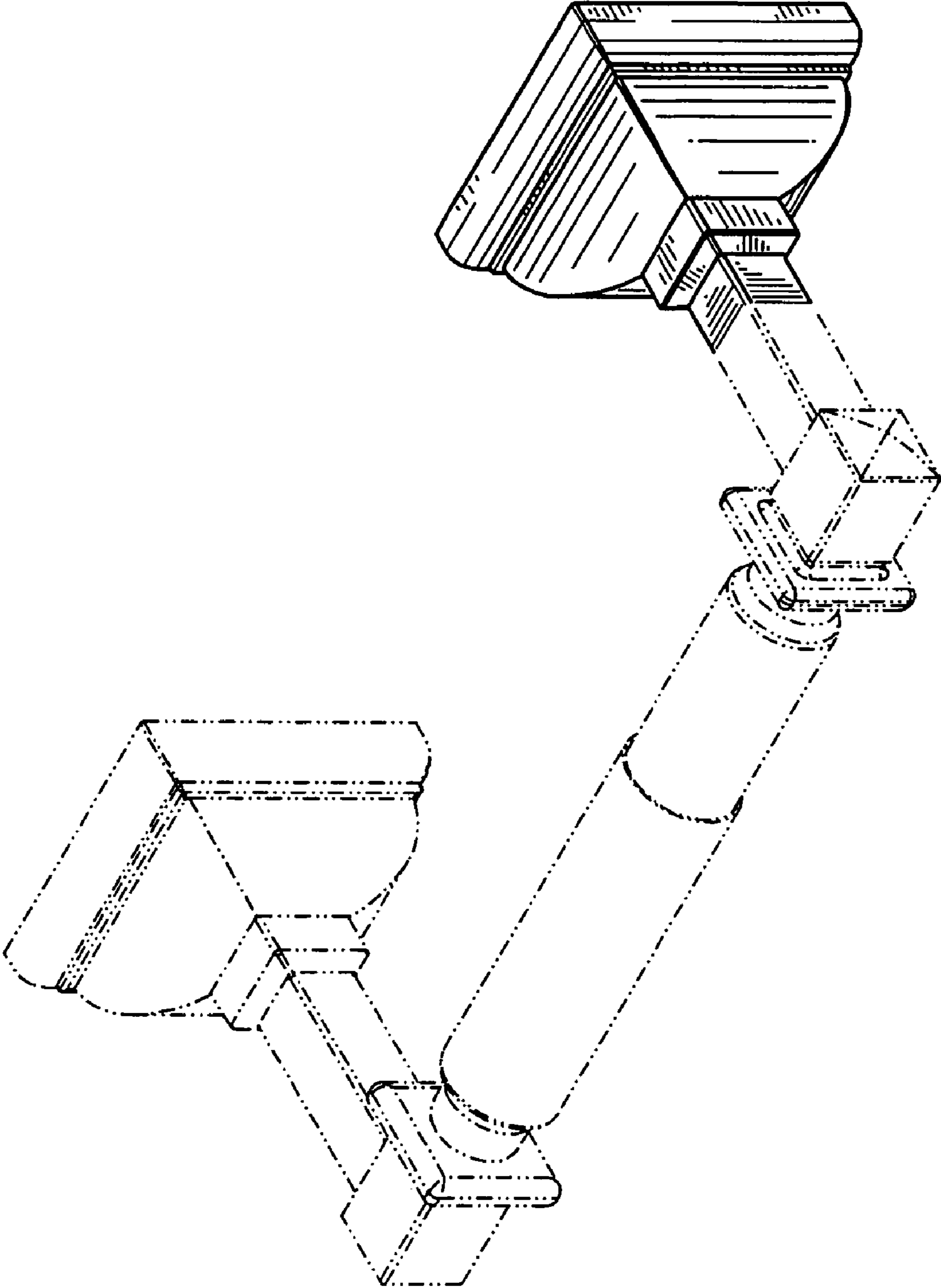
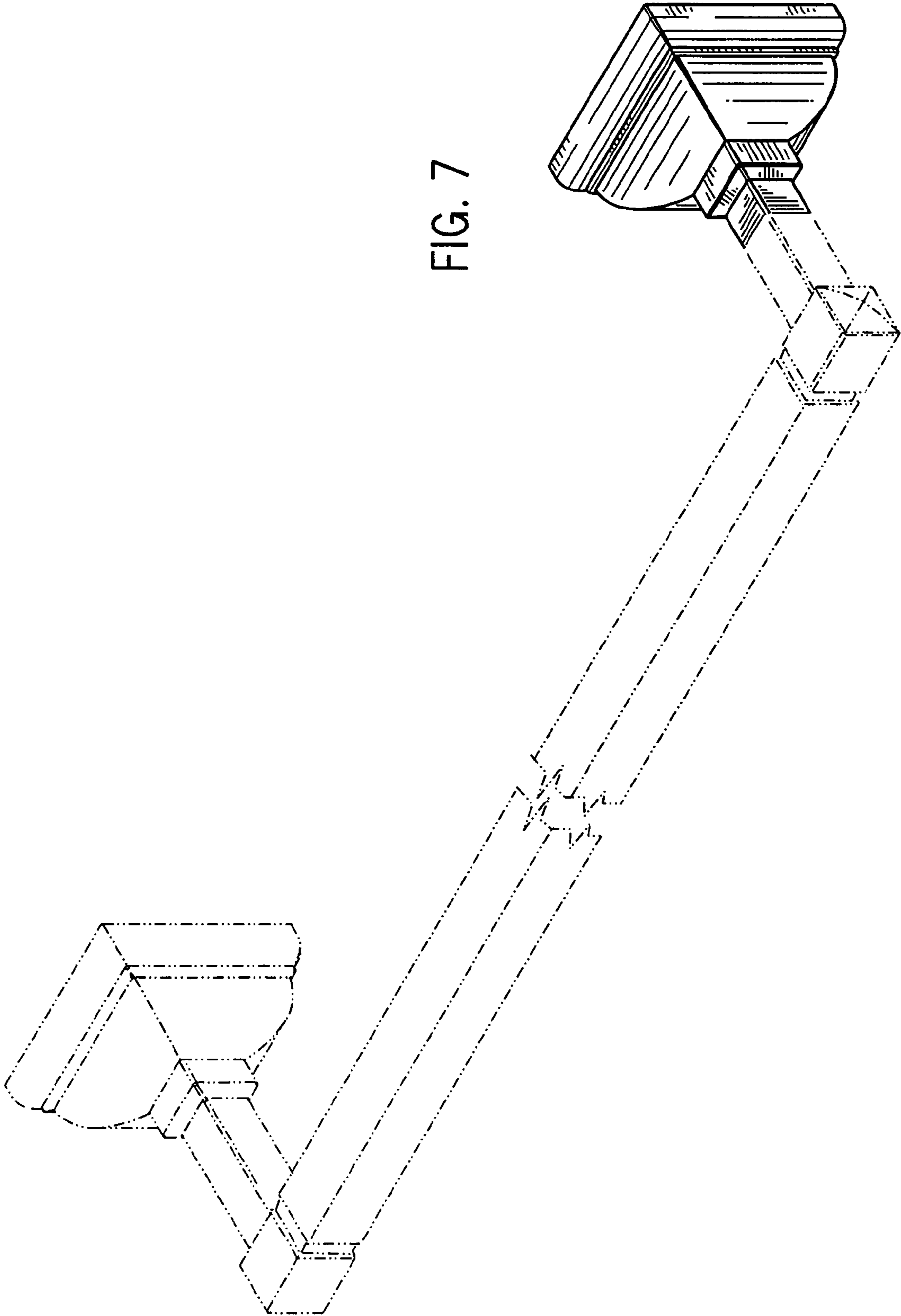


FIG. 6

FIG. 7



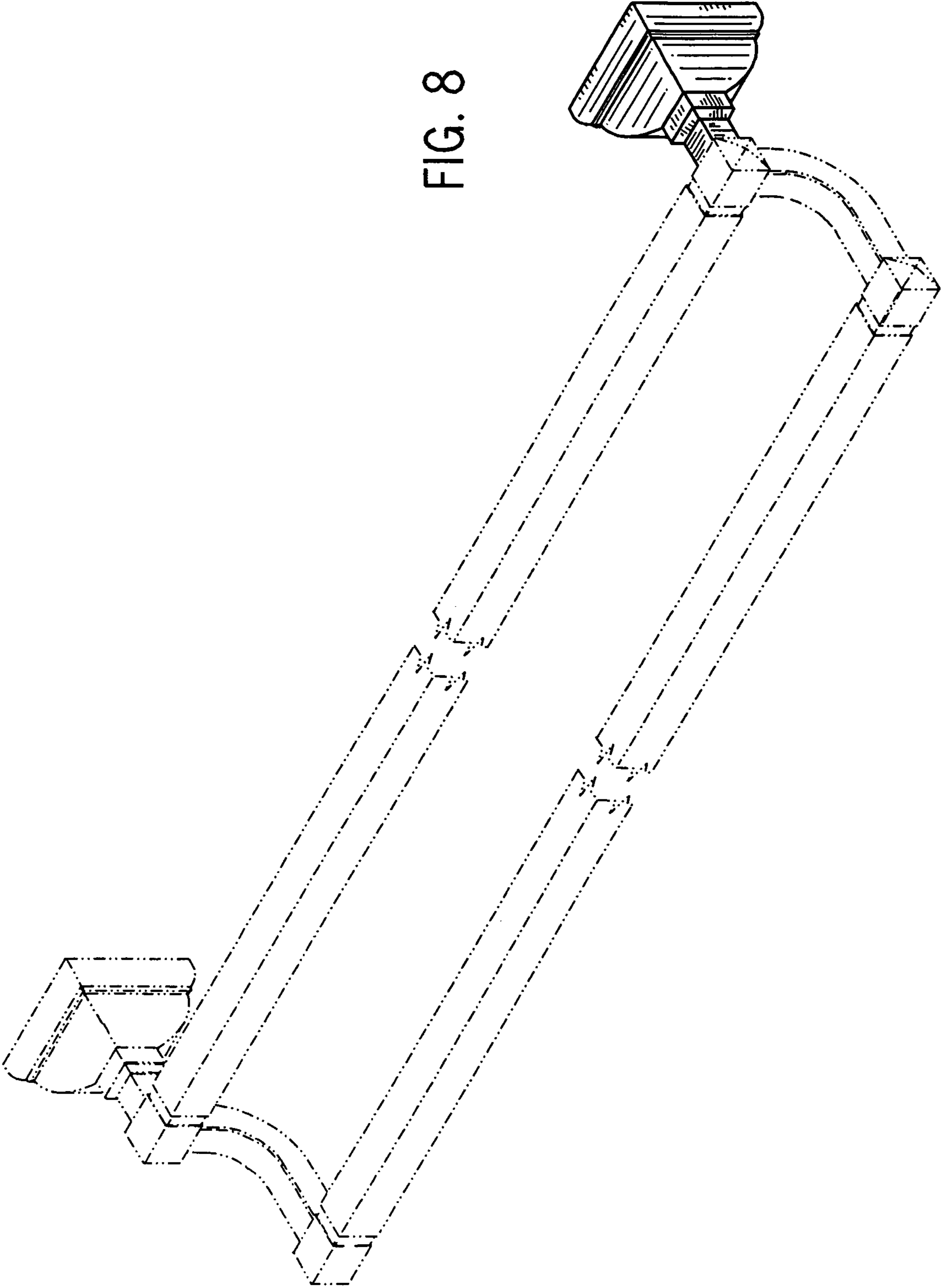


FIG. 8

FIG. 9

