



US00D551885S

(12) **United States Design Patent**  
**Kikuchi**

(10) **Patent No.:** **US D551,885 S**

(45) **Date of Patent:** **\*\* Oct. 2, 2007**

(54) **CASE FOR HOUSING A PAPER TOWEL**

(76) Inventor: **Kiku Kikuchi**, 3-134, Miyamoto 2  
chome, Kushiro-shi (JP)

(\*\*) Term: **14 Years**

(21) Appl. No.: **29/235,287**

(22) Filed: **Aug. 1, 2005**

(30) **Foreign Application Priority Data**

Jun. 27, 2005 (JP) ..... 2005-018507

(51) **LOC (8) Cl.** ..... **23-02**

(52) **U.S. Cl.** ..... **D6/522**

(58) **Field of Classification Search** ..... D6/515-523;  
D3/201; 206/389, 391, 407, 409; 312/34.1,  
312/34.8; 211/16, 85.5, 59.2; 221/92, 97,  
221/185, 282-284; 242/159, 160.2, 550,  
242/560, 590, 595, 588, 598

See application file for complete search history.

(56) **References Cited**

**U.S. PATENT DOCUMENTS**

- 4,615,442 A \* 10/1986 Beeken ..... 206/389
- 4,721,264 A \* 1/1988 Muscarello ..... 242/598.6
- D316,789 S \* 5/1991 McLaughlin ..... D6/522
- D327,798 S \* 7/1992 Addison et al. .... D6/523
- D339,490 S \* 9/1993 Addison et al. .... D6/518
- D421,691 S \* 3/2000 Hoblitz ..... D6/522
- D425,347 S \* 5/2000 Anderberg ..... D6/518
- D462,860 S \* 9/2002 Orlando ..... D6/518
- D478,753 S \* 8/2003 Hall et al. .... D6/523
- D504,794 S \* 5/2005 Sellars ..... D6/522

D522,780 S \* 6/2006 Sellars ..... D6/518

\* cited by examiner

*Primary Examiner*—Brian N Vinson

(74) *Attorney, Agent, or Firm*—Griffin & Szipl, P.C.

(57) **CLAIM**

The ornamental design for a case for housing a paper towel,  
as shown and described.

**DESCRIPTION**

FIG. 1 is a front elevational view of a case for housing a  
paper towel showing my new design;

FIG. 2 is a rear elevational view thereof;

FIG. 3 is a top plan view thereof;

FIG. 4 is a bottom plan view thereof;

FIG. 5 is a right side elevational view thereof;

FIG. 6 is a left side elevational view thereof;

FIG. 7 is a horizontal cross-sectional view thereof, taken  
along line I—I of FIG. 1;

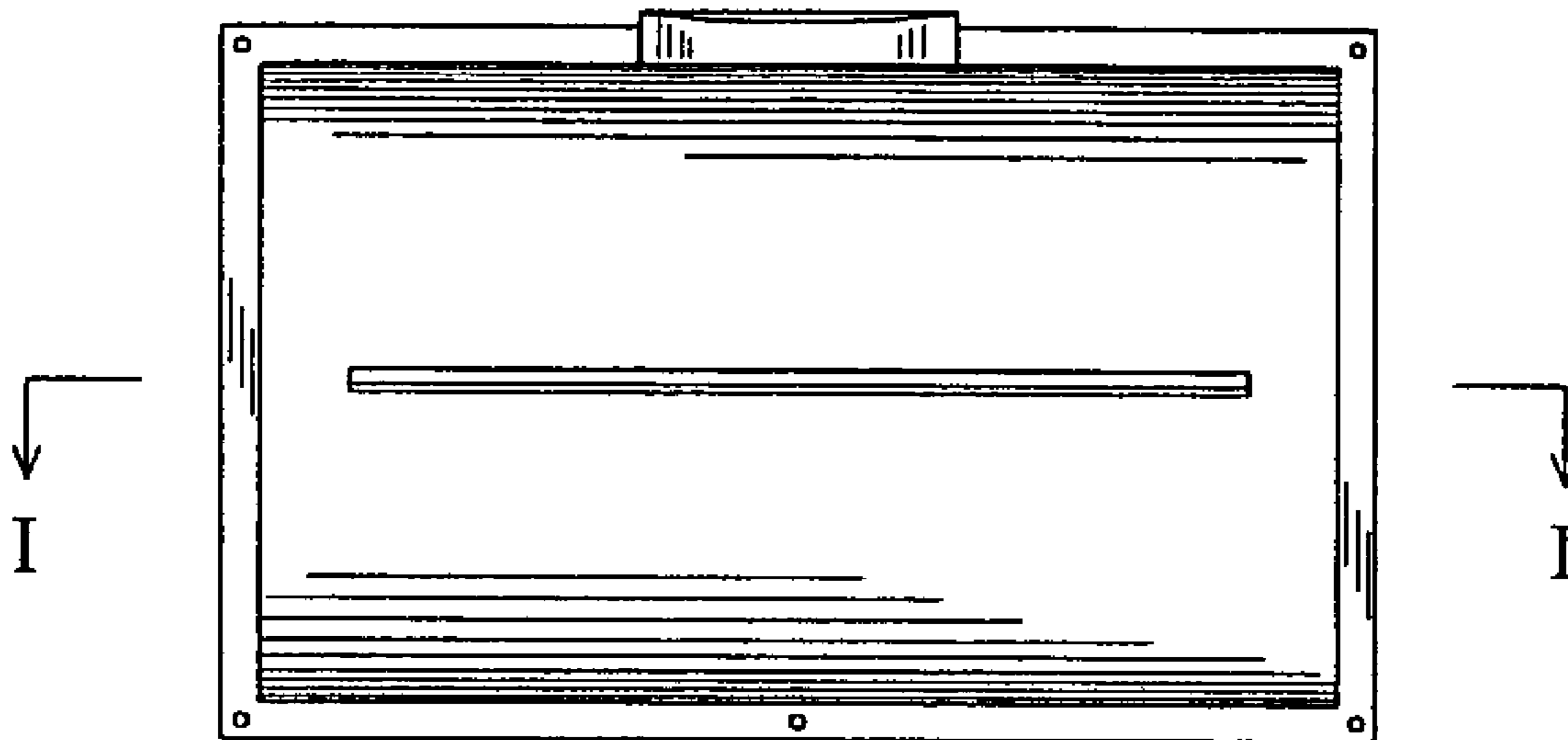
FIG. 8 is a vertical cross-sectional view thereof, taken along  
line II—II of FIG. 3;

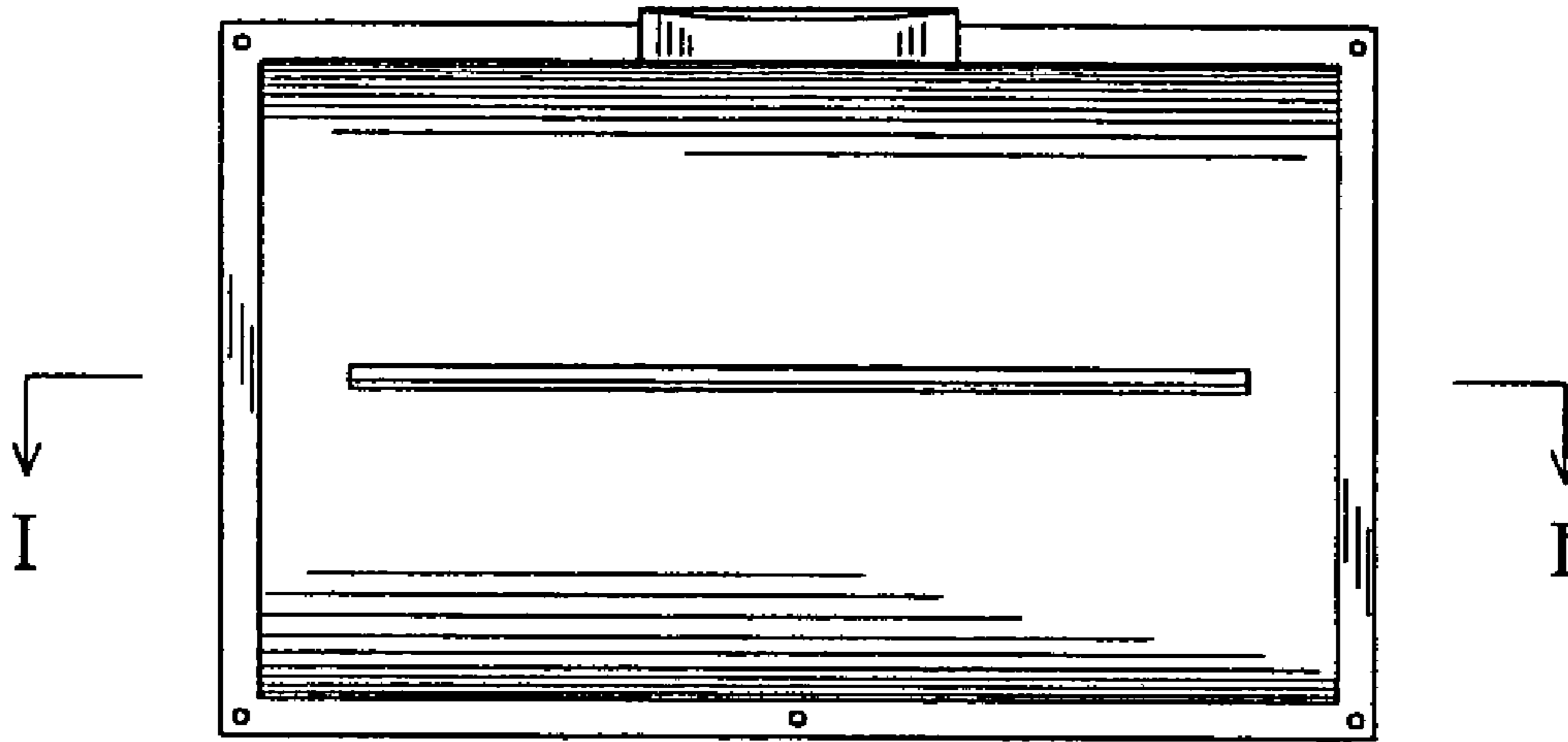
FIG. 9 is an additional vertical cross-sectional view thereof,  
taken along line II—II of FIG. 3, but with the adaptor  
omitted;

FIG. 10 is a top, front, and left side perspective view thereof;  
and,

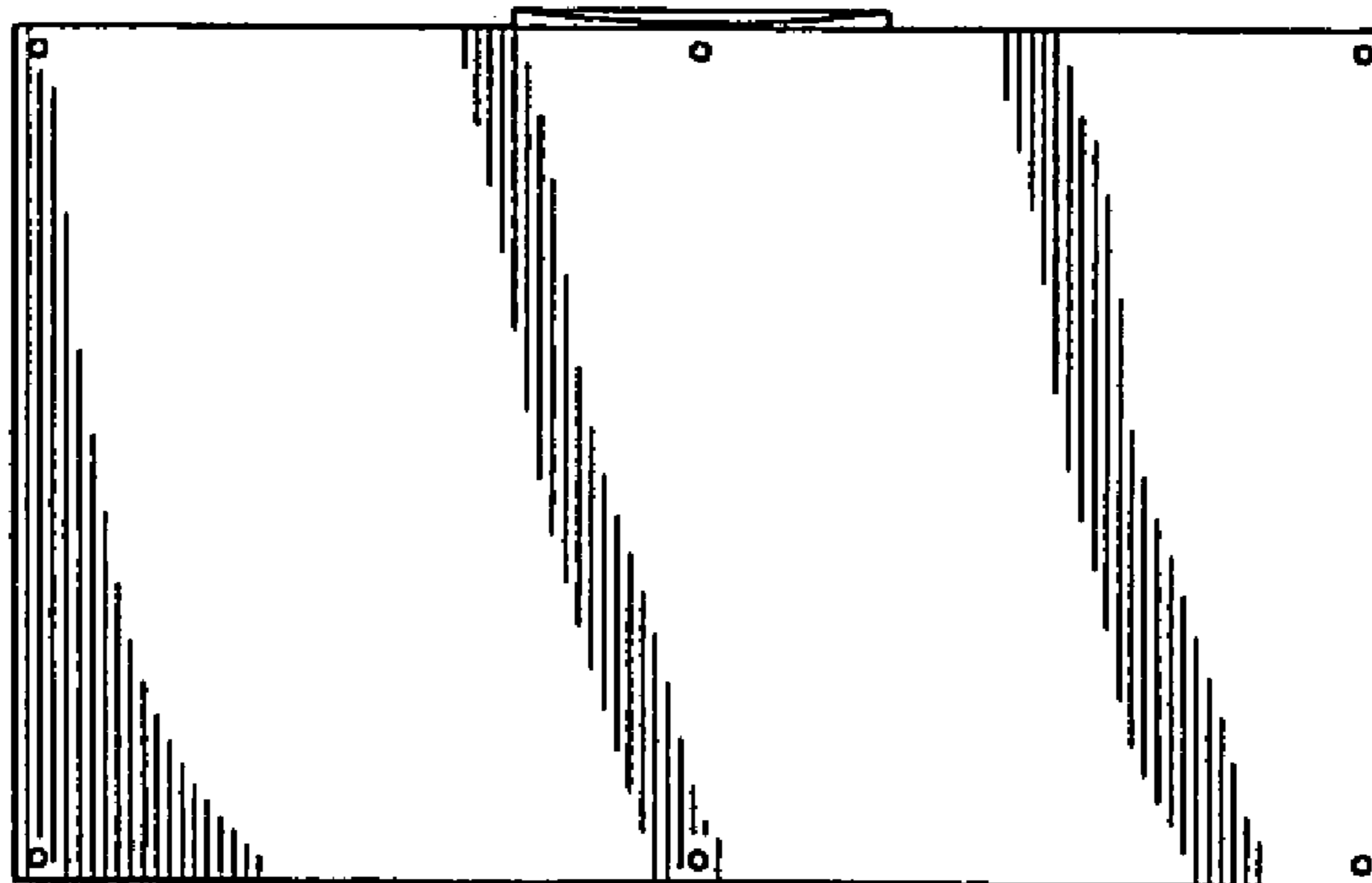
FIG. 11 is a top, front, and left side perspective view thereof,  
with the broken-line disclosure being for illustrative pur-  
poses only and forming no part of the claimed design.

**1 Claim, 5 Drawing Sheets**

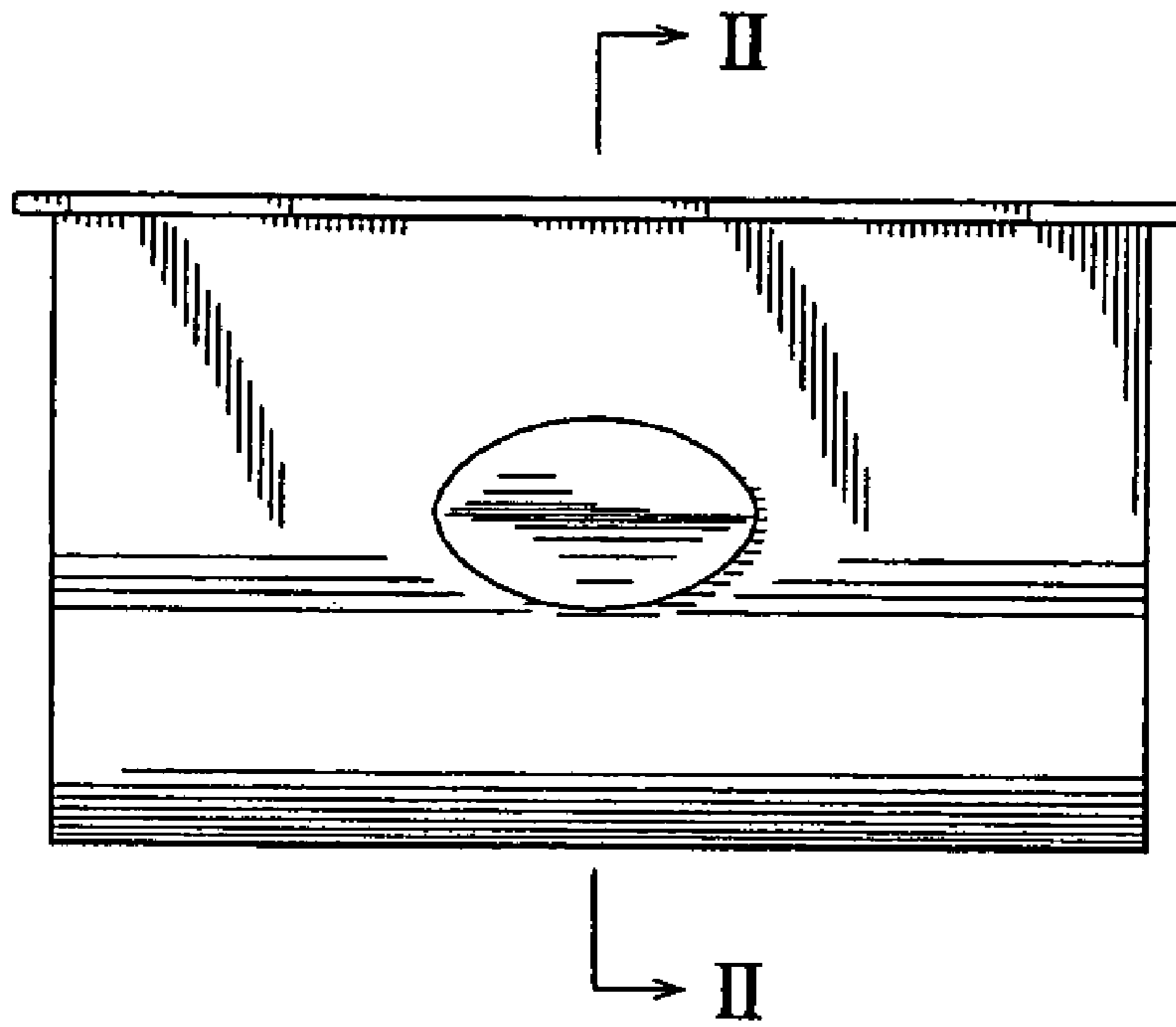




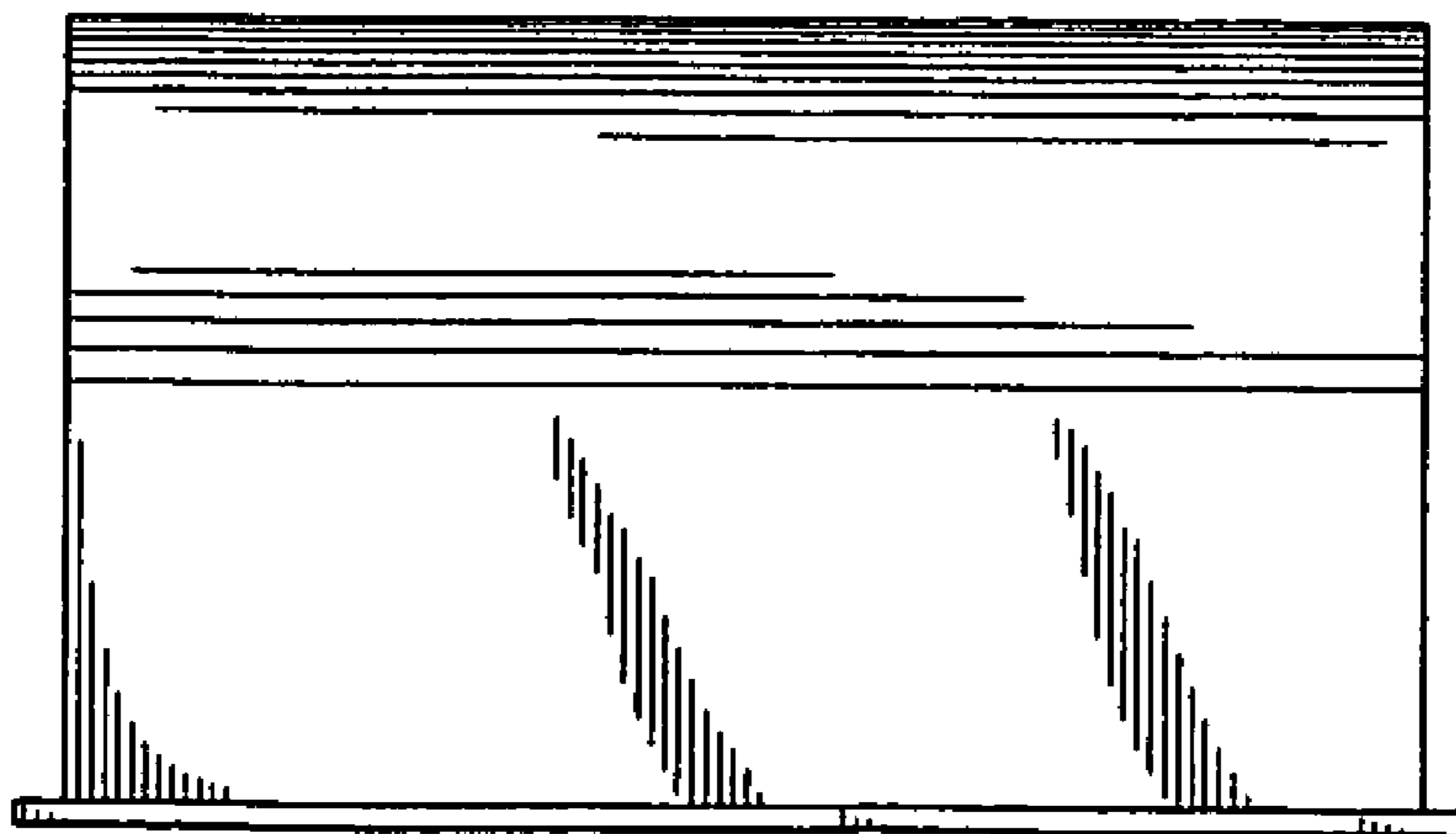
*FIG. 1*



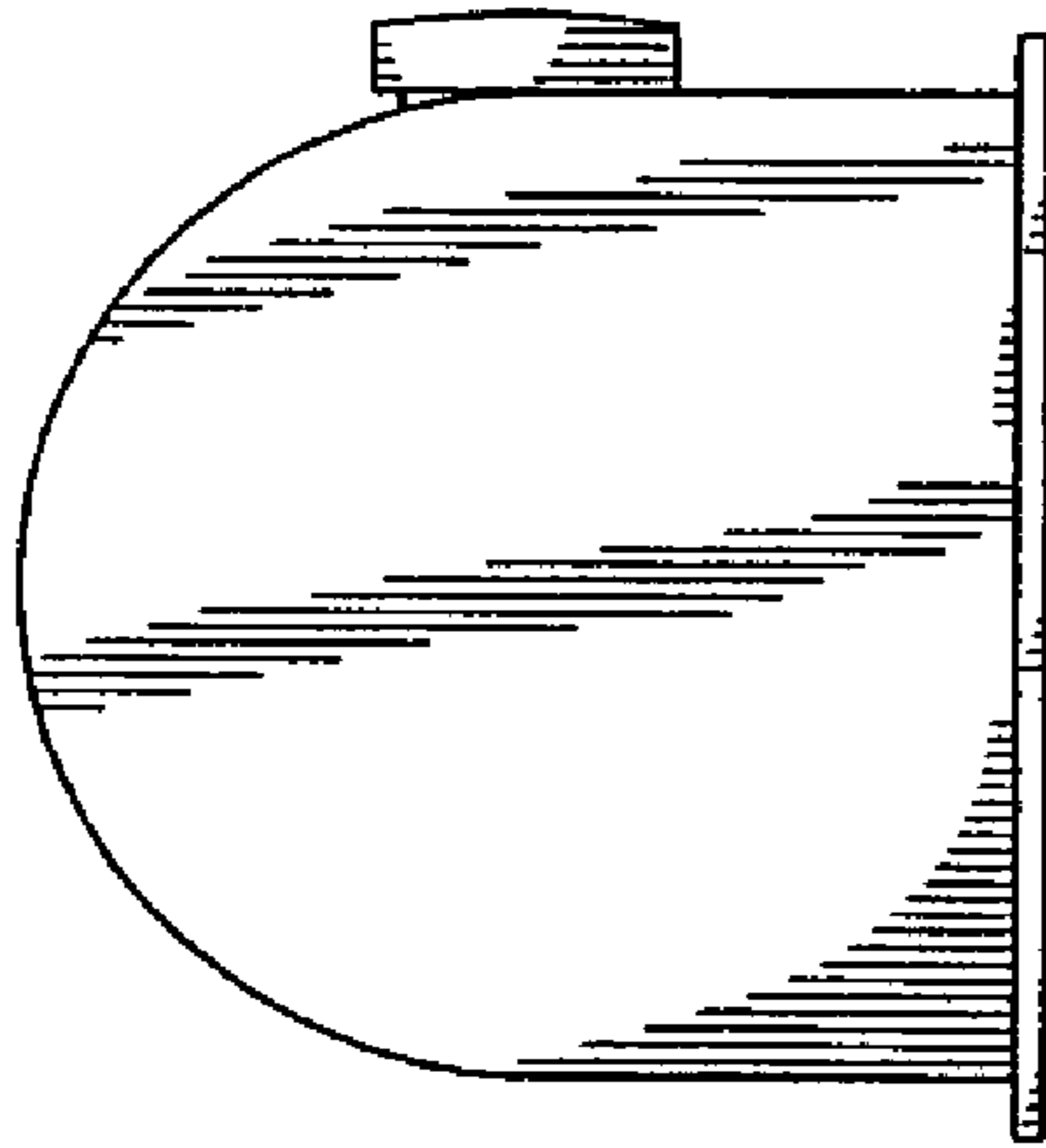
*FIG. 2*



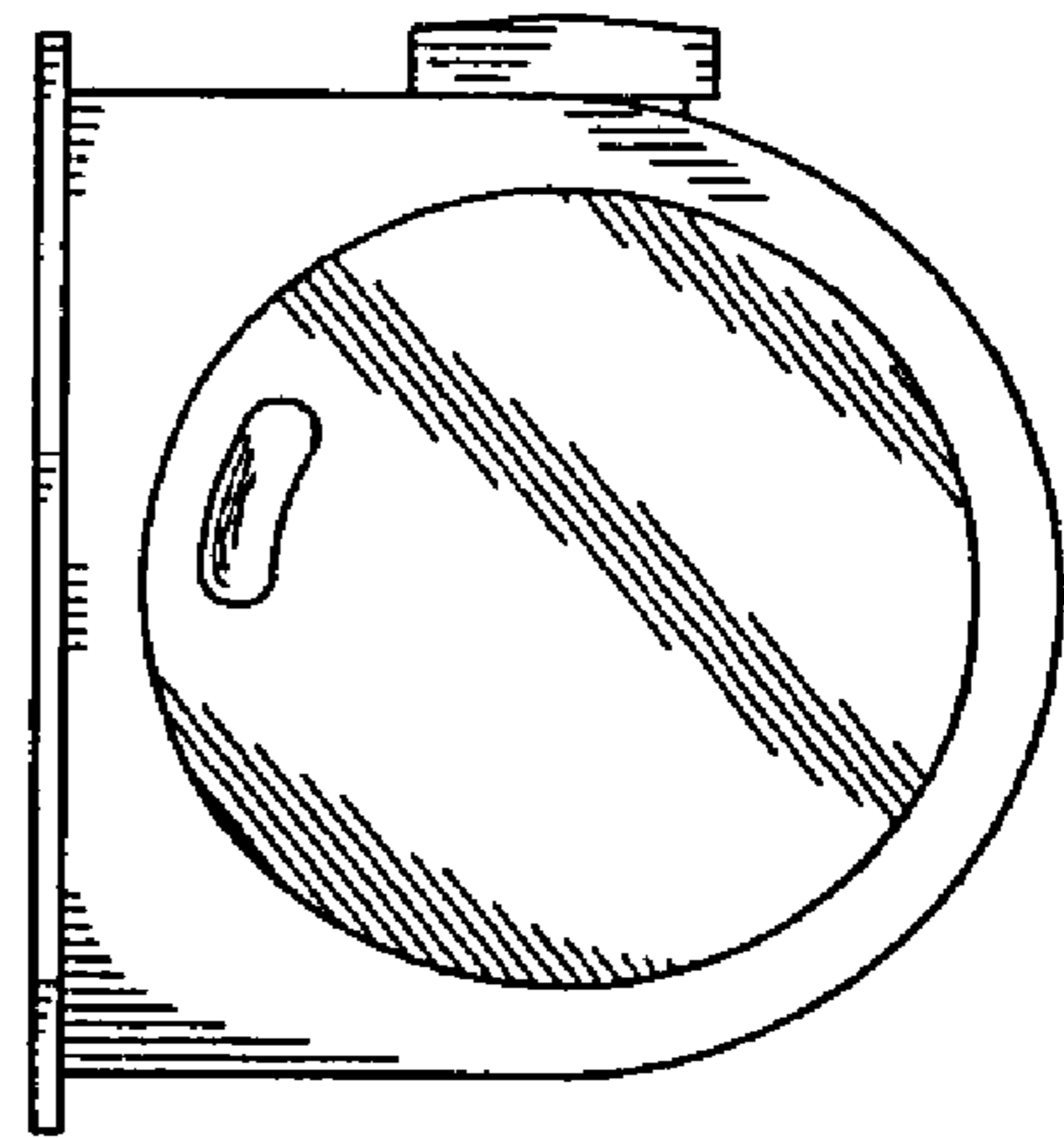
*FIG. 3*



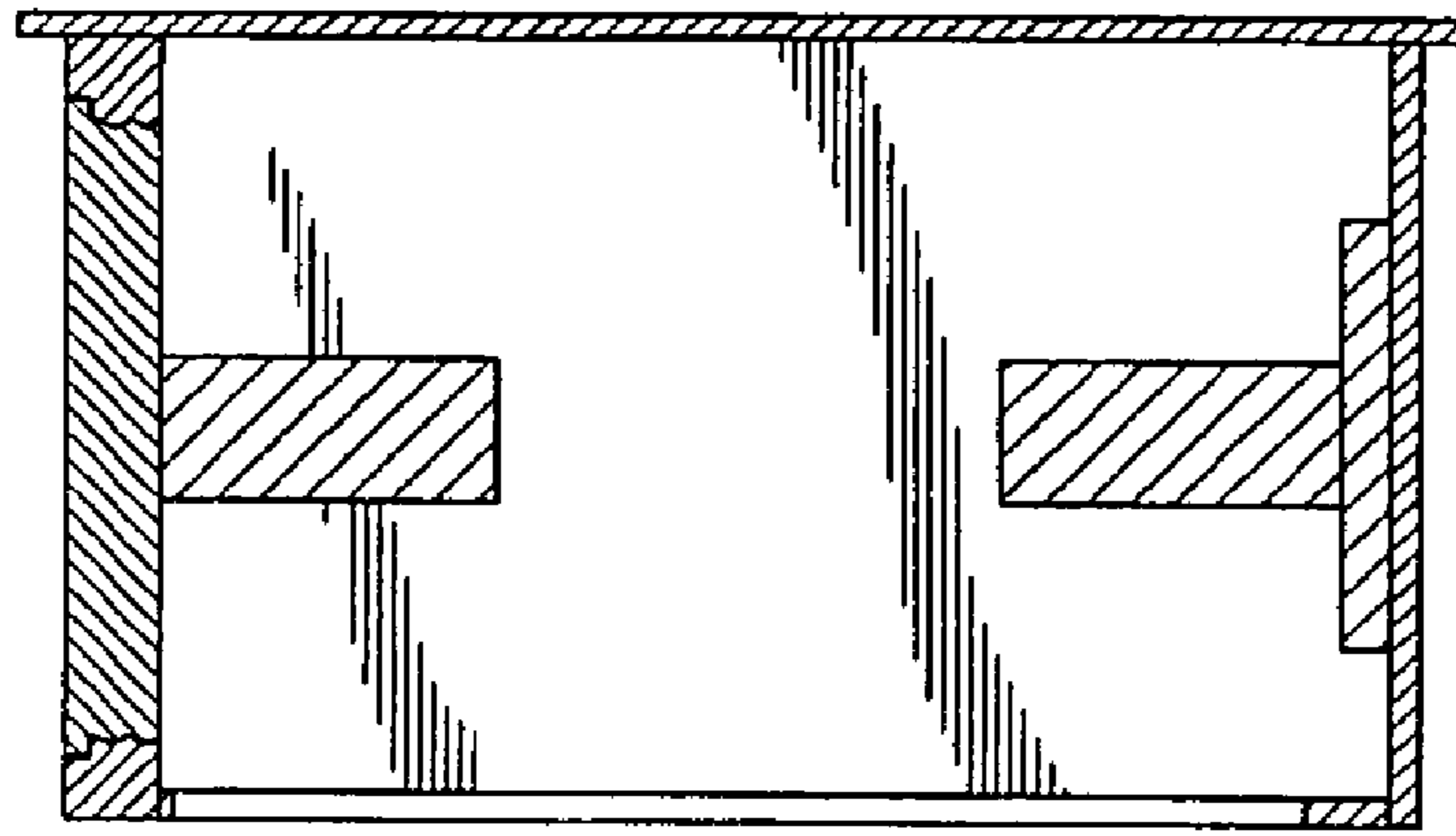
*FIG. 4*



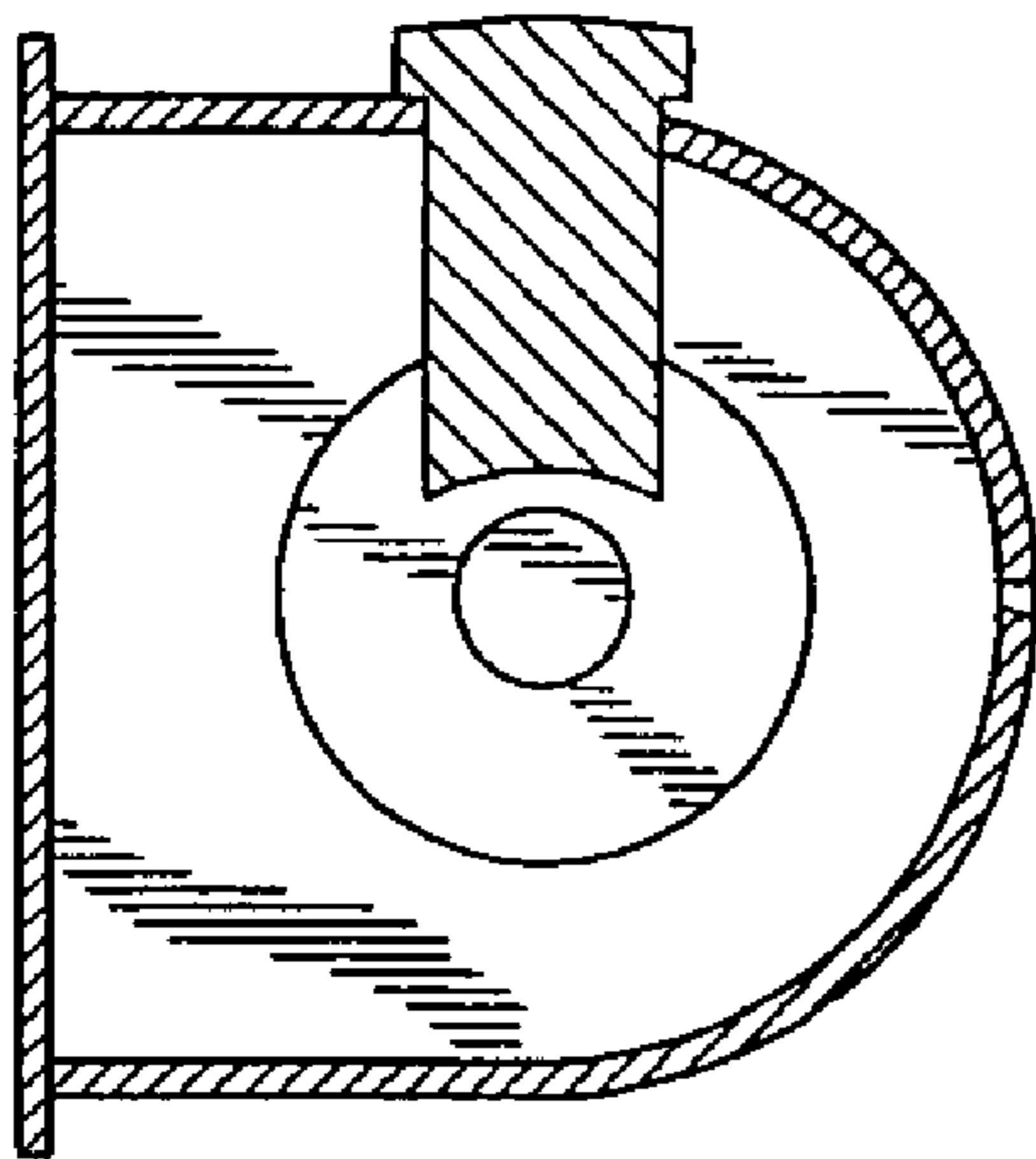
*FIG. 5*



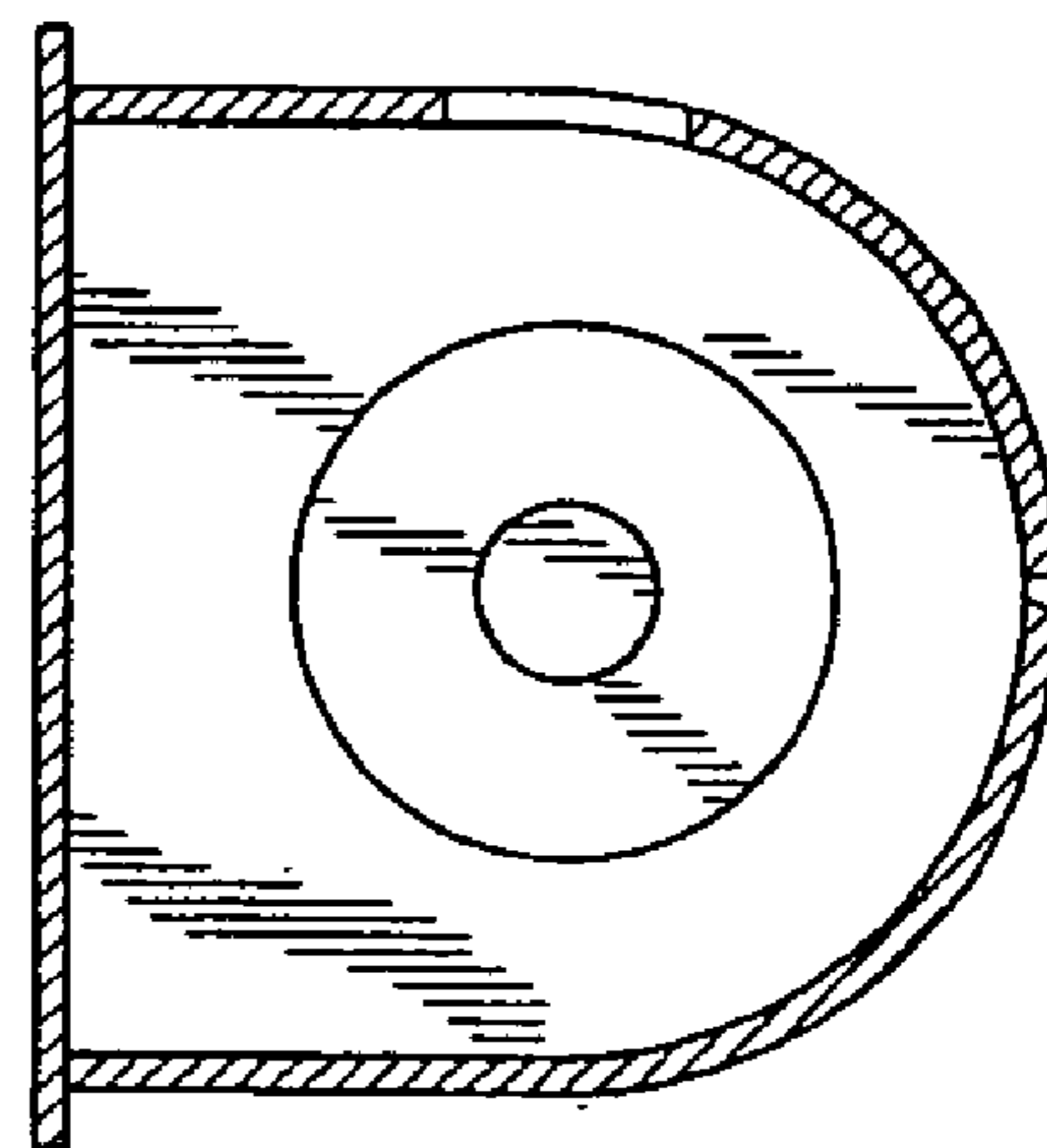
*FIG. 6*



*FIG. 7*



*FIG. 8*



*FIG. 9*

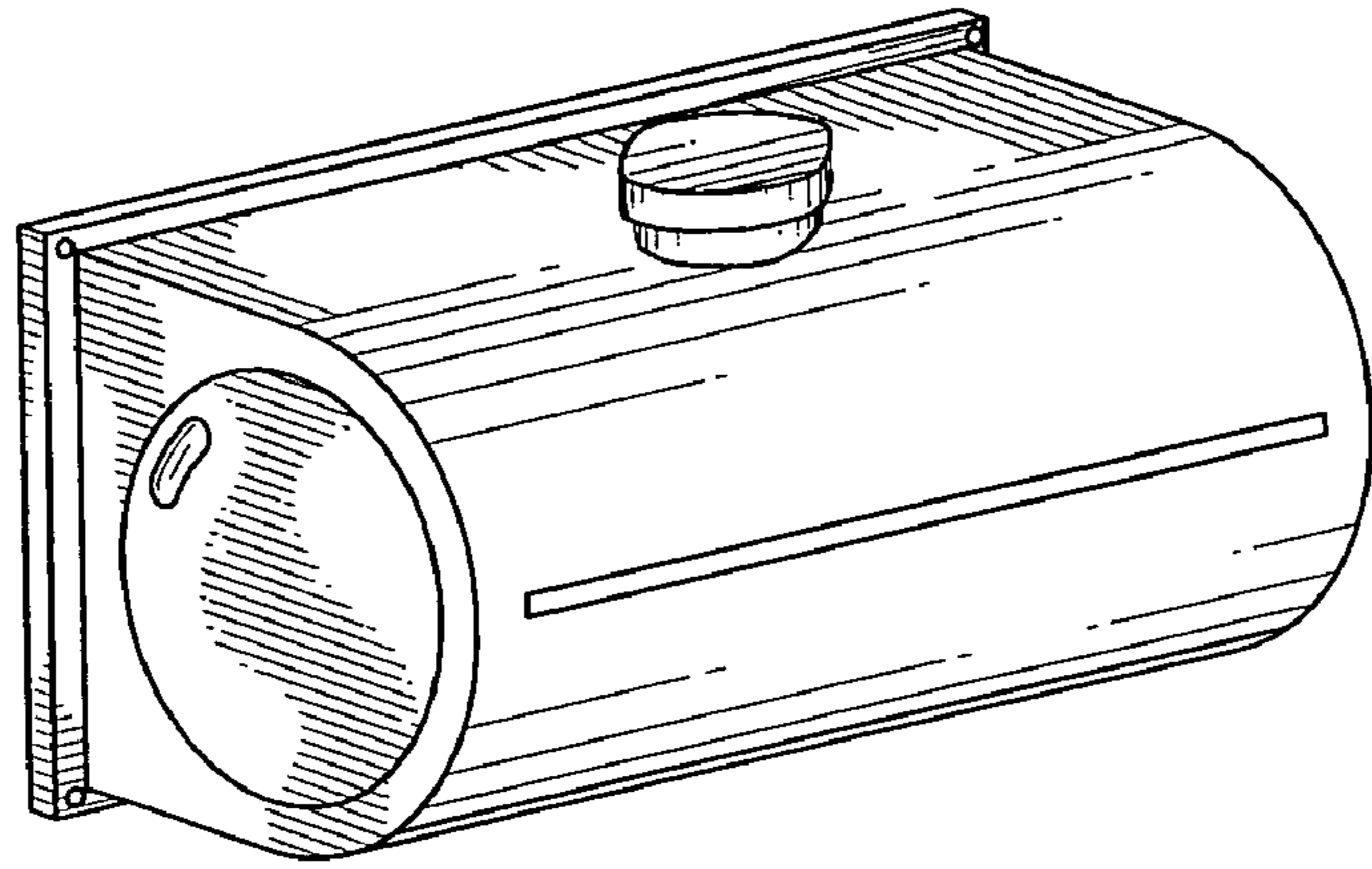


FIG. 10

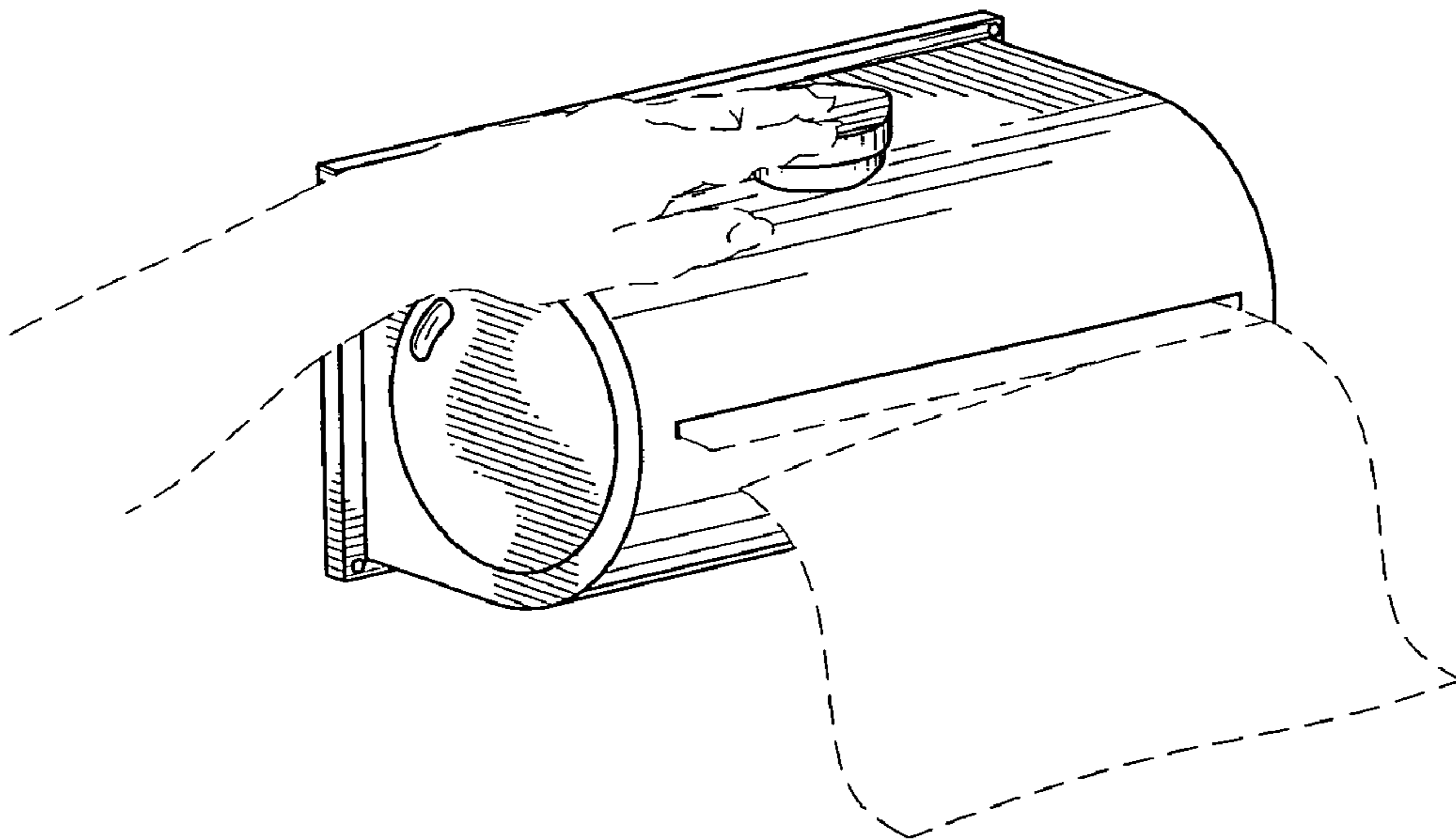


FIG. 11