



US00D551877S

(12) **United States Design Patent**
Kirtz et al.

(10) **Patent No.:** **US D551,877 S**

(45) **Date of Patent:** **** Oct. 2, 2007**

(54) **HUB FOR HOLDING MEDIA DISC**

(75) Inventors: **Kevin Kirtz**, Massillon, OH (US);
Jesse D. Wells, Canton, OH (US)

(73) Assignee: **Nexpak Corporation**, Duluth, GA (US)

(**) Term: **14 Years**

(21) Appl. No.: **29/251,191**

(22) Filed: **Jan. 3, 2006**

(51) **LOC (8) Cl.** **06-01**

(52) **U.S. Cl.** **D6/407**

(58) **Field of Classification Search** D6/407,
D6/626-635; D3/273, 294, 295, 299-301,
D3/303; 206/209, 310-313, 751; 211/40,
211/41.1, 41.12; D9/420

See application file for complete search history.

(56) **References Cited**

U.S. PATENT DOCUMENTS

4,076,119	A	2/1978	Clarke
4,084,690	A	4/1978	Pulse
4,895,252	A	1/1990	Nomula
5,188,228	A	2/1993	Barrett
5,402,882	A	4/1995	Bandy
5,609,249	A	3/1997	Cheng
5,713,463	A	2/1998	Lakoski
5,806,672	A	9/1998	Bosworth
5,845,771	A	12/1998	Fu
5,874,625	A	2/1999	Elsasser
5,894,924	A	4/1999	Koch

6,216,862	B1	4/2001	Chang	
6,227,363	B1	5/2001	Lu	
6,561,347	B1	5/2003	Lax	
6,662,943	B1	12/2003	Yang	
6,681,930	B1 *	1/2004	Yang 206/310
6,749,061	B2	6/2004	Clausen	
6,874,625	B2	4/2005	Chang	
D532,989	S *	12/2006	Wells D6/407
2004/0206641	A1	10/2004	Lau	

* cited by examiner

Primary Examiner—Ian Simmons

Assistant Examiner—Charles Hanson

(74) *Attorney, Agent, or Firm*—Zollinger & Burleson Ltd.

(57) **CLAIM**

The ornamental design for the hub for holding a media disc, as shown and described.

DESCRIPTION

FIG. 1 is a perspective view of a hub for holding a media disc showing our new design;

FIG. 2 is a top plan view thereof;

FIG. 3 is a front elevation view thereof;

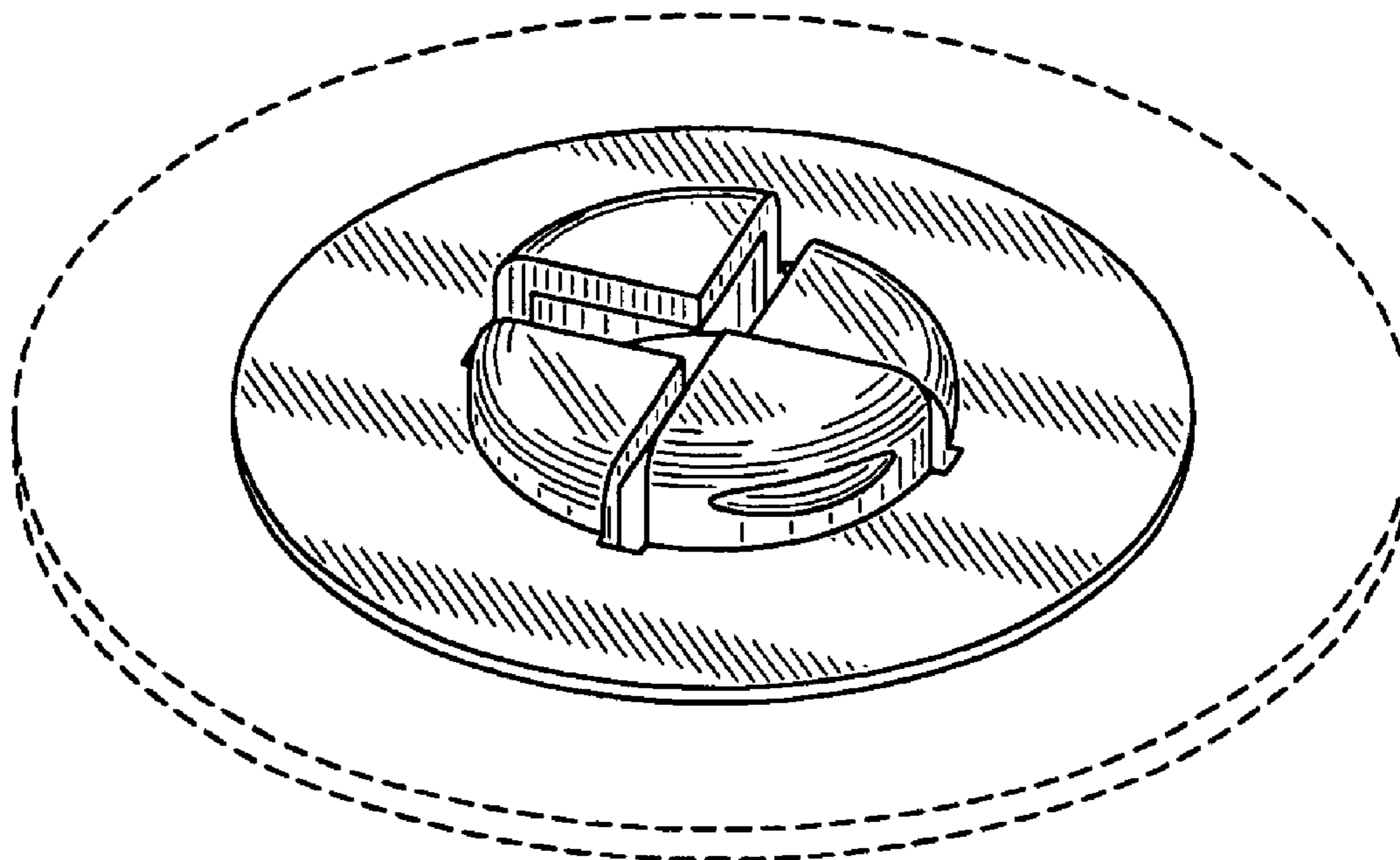
FIG. 4 is a rear elevation view thereof;

FIG. 5 is a right side view thereof; and,

FIG. 6 is a left side view thereof.

The broken lines form no part of the claimed design.

1 Claim, 4 Drawing Sheets



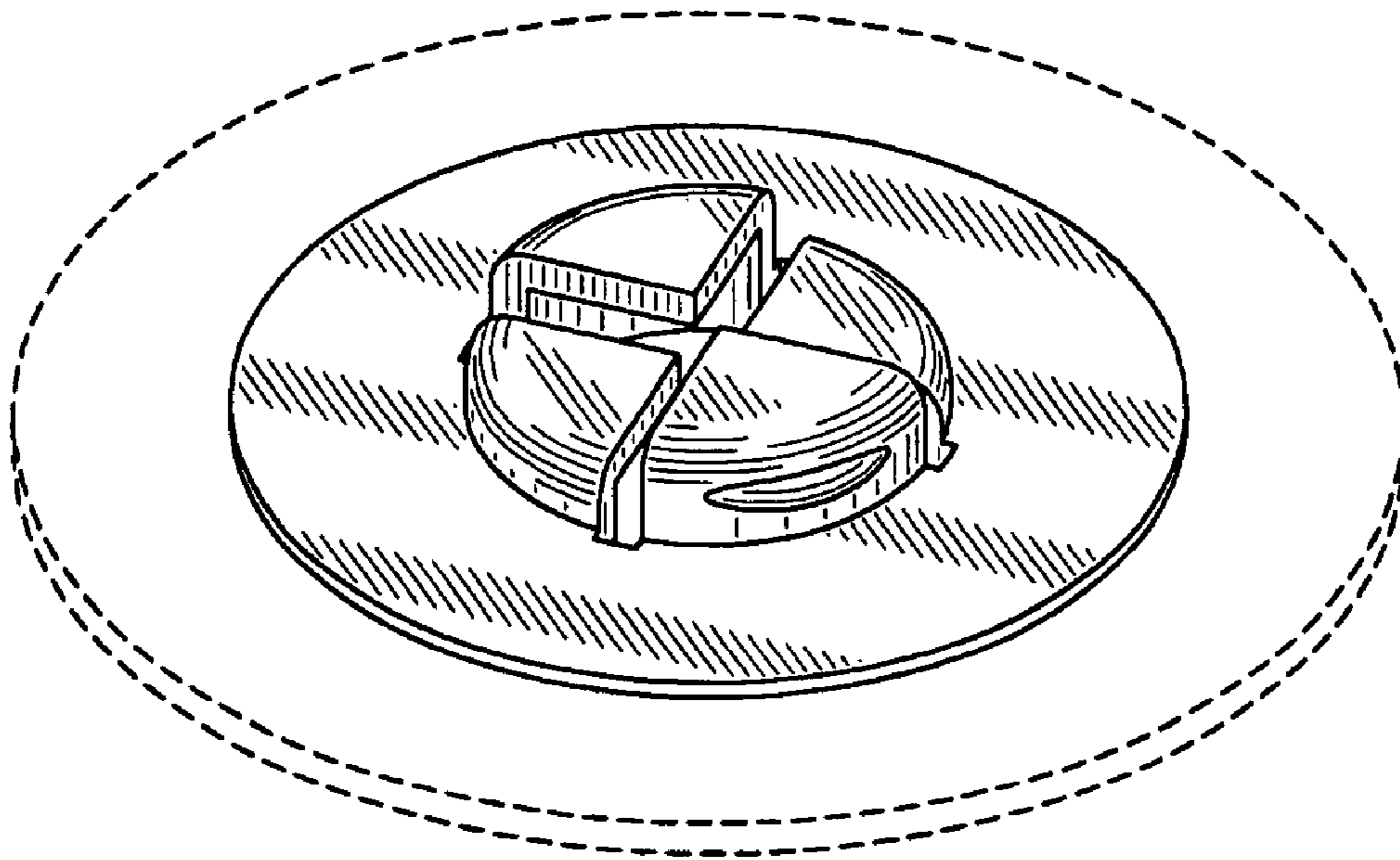


FIG. 1

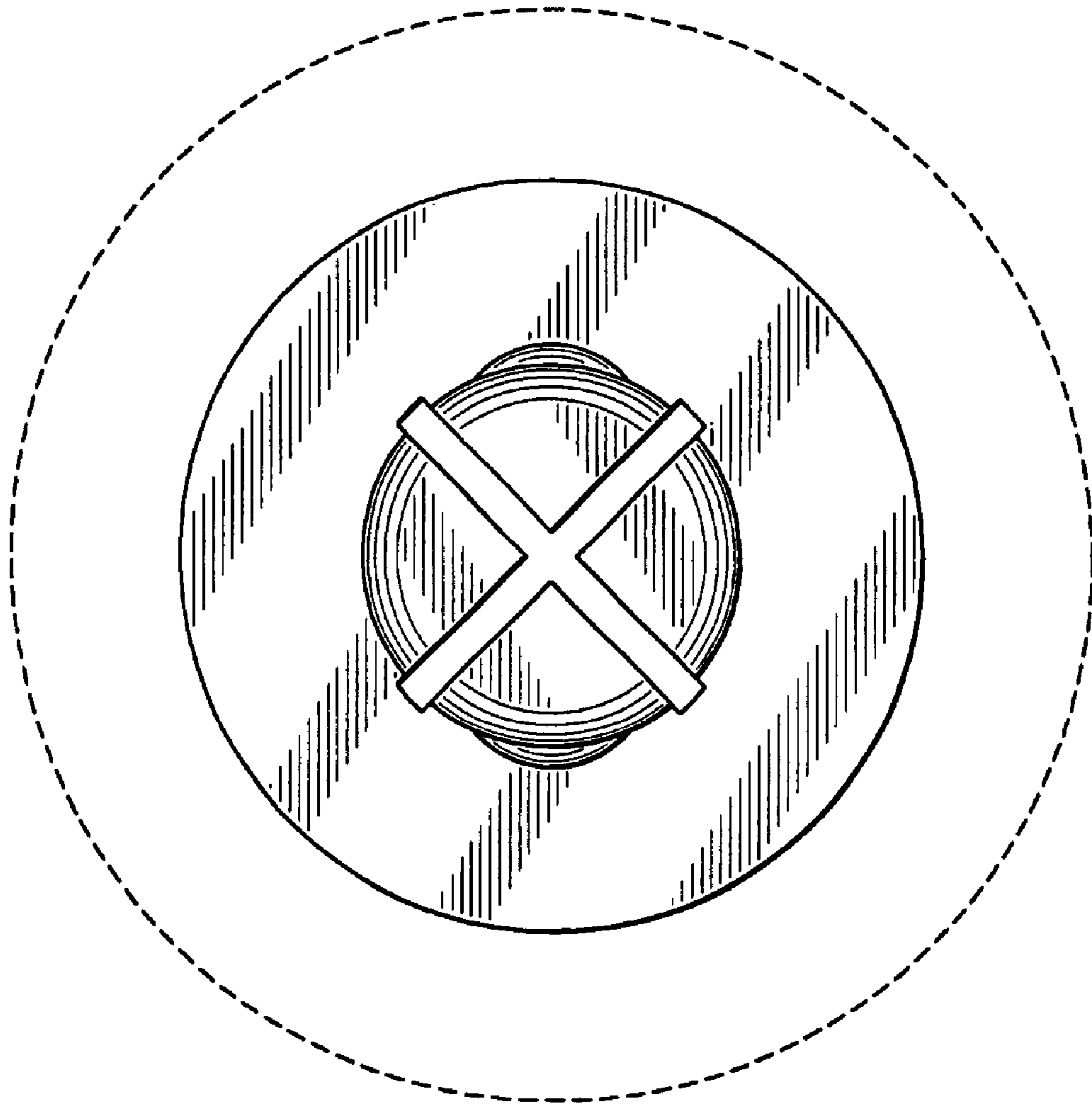


FIG. 2

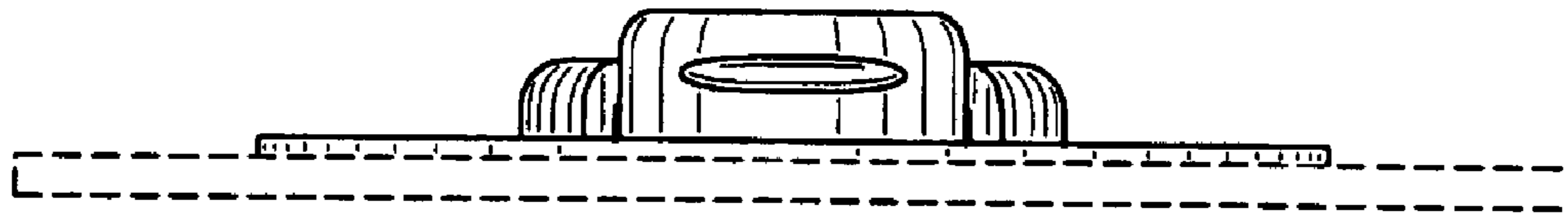


FIG. 3

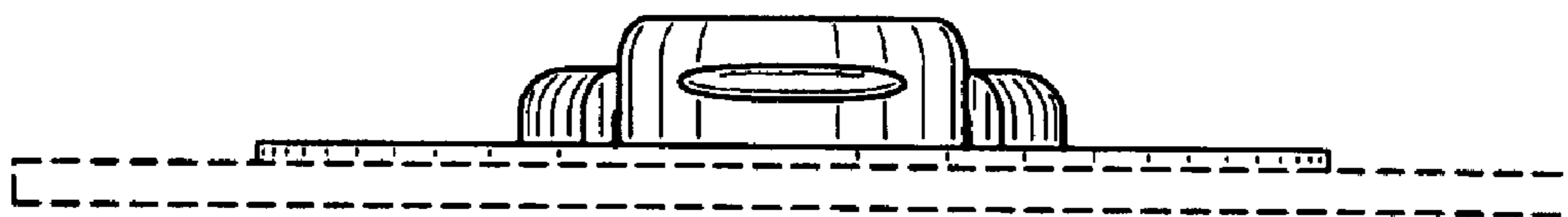


FIG. 4

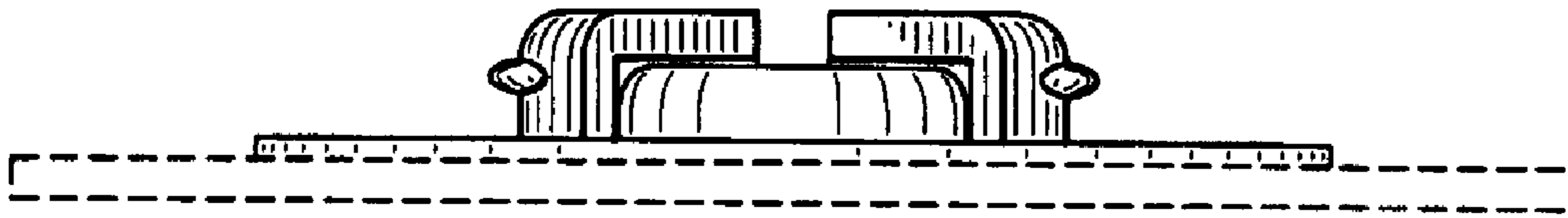


FIG. 5

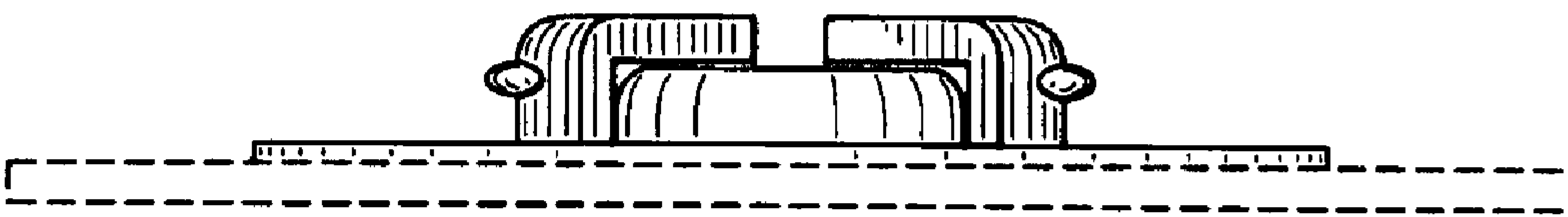


FIG. 6