

US00D551869S

(12) **United States Design Patent**
Zambelli

(10) **Patent No.:** **US D551,869 S**

(45) **Date of Patent:** **** Oct. 2, 2007**

(54) **CHAIR**

6,739,651 B1 * 5/2004 Barefoot 297/105
D532,619 S * 11/2006 Galardo D6/364

(75) Inventor: **Michael P. Zambelli**, Basking Ridge,
NJ (US)

(73) Assignee: **Bell'O International Corp.**,
Morganville, NJ (US)

(**) Term: **14 Years**

(21) Appl. No.: **29/268,105**

(22) Filed: **Oct. 30, 2006**

(51) **LOC (8) Cl.** **06-01**

(52) **U.S. Cl.** **D6/367**

(58) **Field of Classification Search** D6/334-336,
D6/360, 361, 364, 367, 371-373, 374, 375,
D6/492, 500-502; 297/68, 84, 88, 105, 423.1,
297/423.19, 423.2, DIG. 7

See application file for complete search history.

(56) **References Cited**

U.S. PATENT DOCUMENTS

- D80,598 S * 3/1930 Bernhard D6/334
- D165,717 S * 1/1952 Maurer D6/361
- D172,378 S * 6/1954 Bell D6/361
- D173,592 S * 11/1954 Richardson D6/360
- D173,625 S * 12/1954 Maurer D6/360
- 2,880,784 A * 4/1959 Navelle et al. 297/84
- 3,179,466 A * 4/1965 Garrett 297/88
- D243,372 S * 2/1977 Denny et al. D6/364
- D243,423 S * 2/1977 Rosselli D6/364
- D447,639 S * 9/2001 Carlson D6/336
- D464,816 S * 10/2002 Leib et al. D6/335

OTHER PUBLICATIONS

Fortress Off Broadway Home Theater Seating catalog; Chino, CA; 2005.
CinemaTech, The Finest In Home Theater Seating, Acoustic Room Systems And Custom Theaters catalog; Addison, TX.
Home & Sports Cinema Seating And Accessories; 2005 Catalog; Bass Industries, Inc., Miami, FL.

* cited by examiner

Primary Examiner—Mimosa De

(74) *Attorney, Agent, or Firm*—Lerner, David, Littenberg, Krumholz & Mentlik, LLP

(57) **CLAIM**

The ornamental design for chair, as shown and described.

DESCRIPTION

FIG. 1 is a perspective view of the chair;

FIG. 2 is a front elevational view thereof;

FIG. 3 is a rear view thereof;

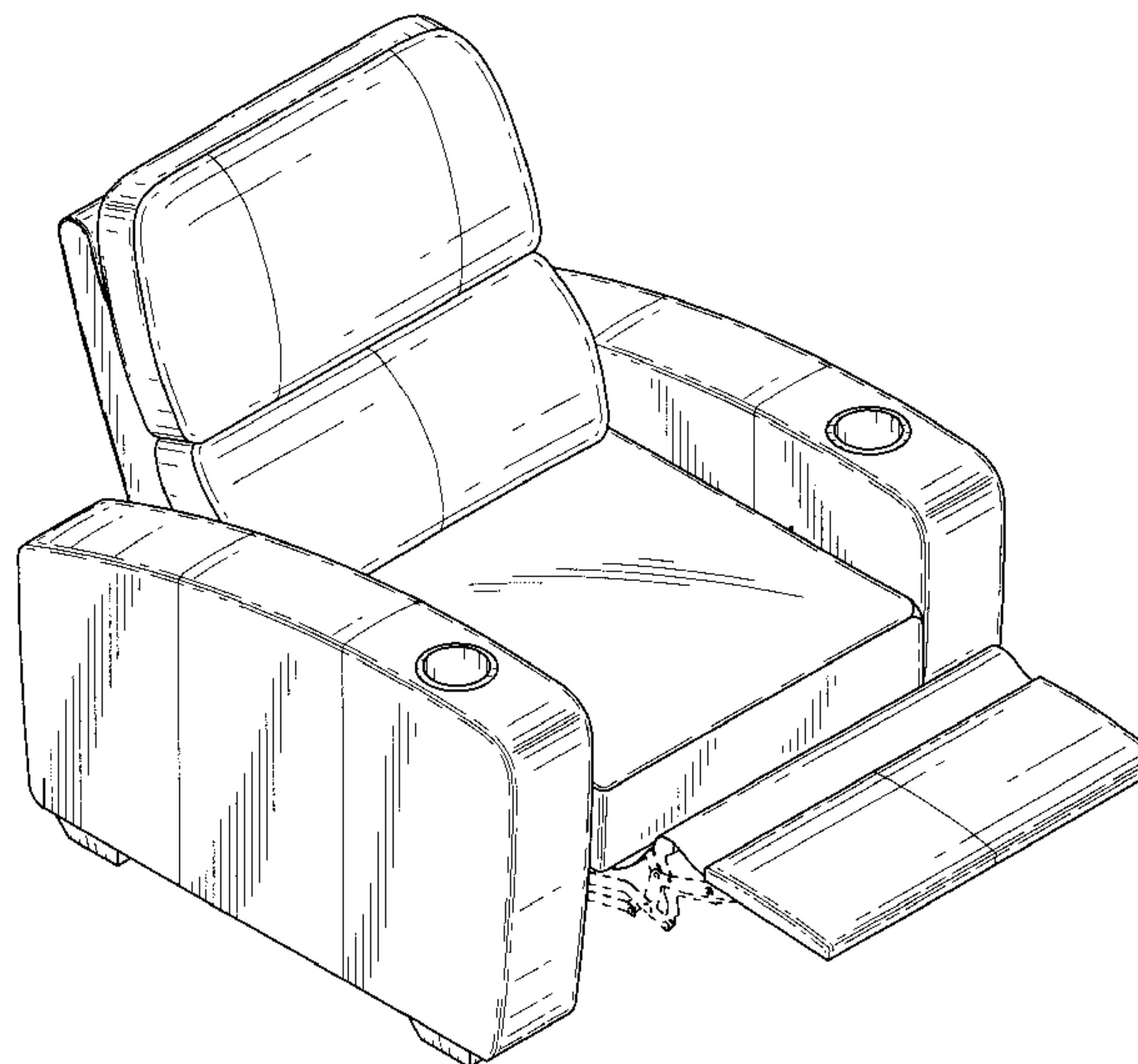
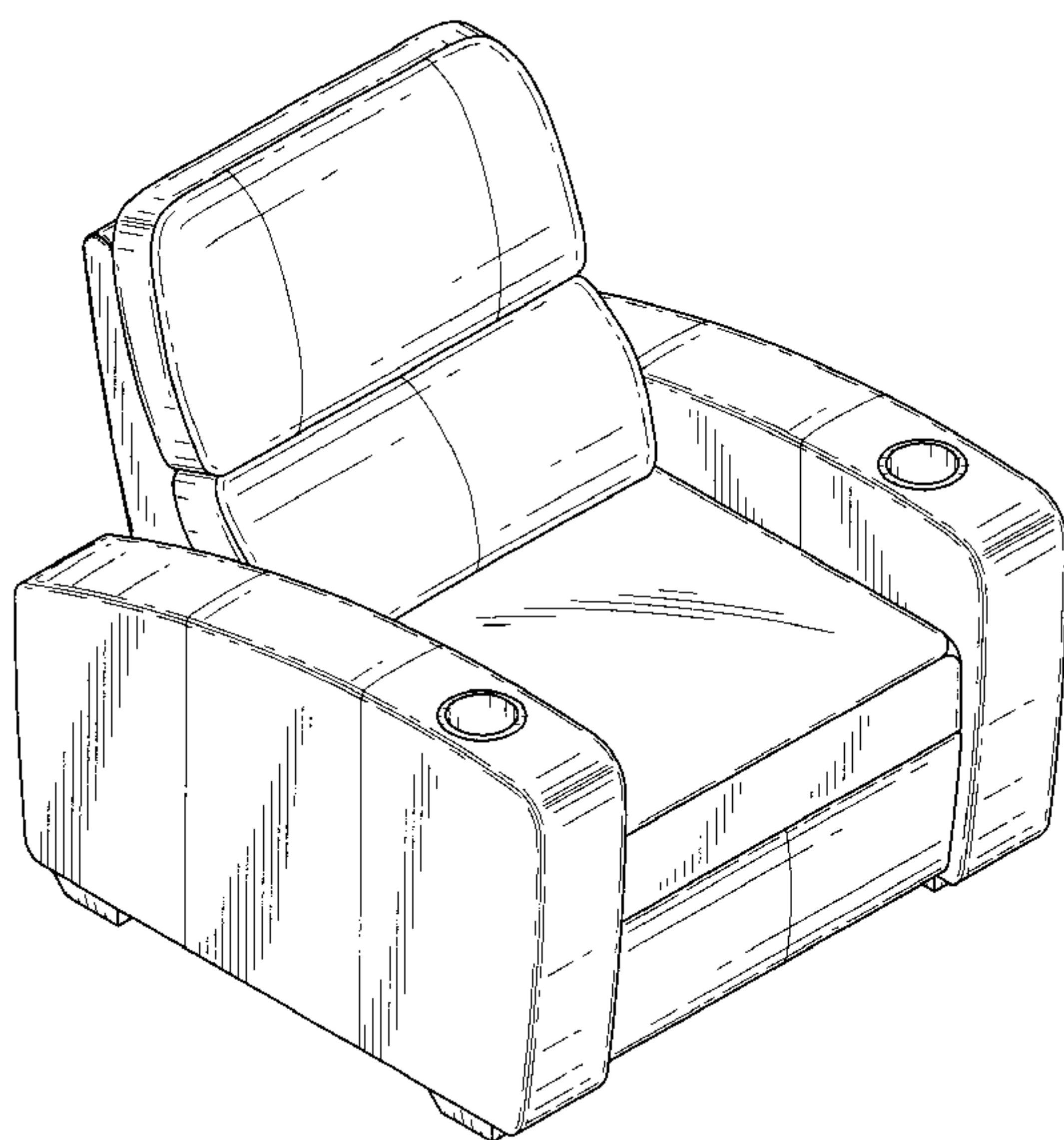
FIG. 4 is a right side view thereof (the left side being a mirror image of the right side view);

FIG. 5 is a top plan view thereof; and,

FIG. 6 top perspective view of the chair with a leg rest shown in an extended position.

The broken line shown in FIG. 6 is for illustrative purposes only and forms no part of the claimed design.

1 Claim, 6 Drawing Sheets



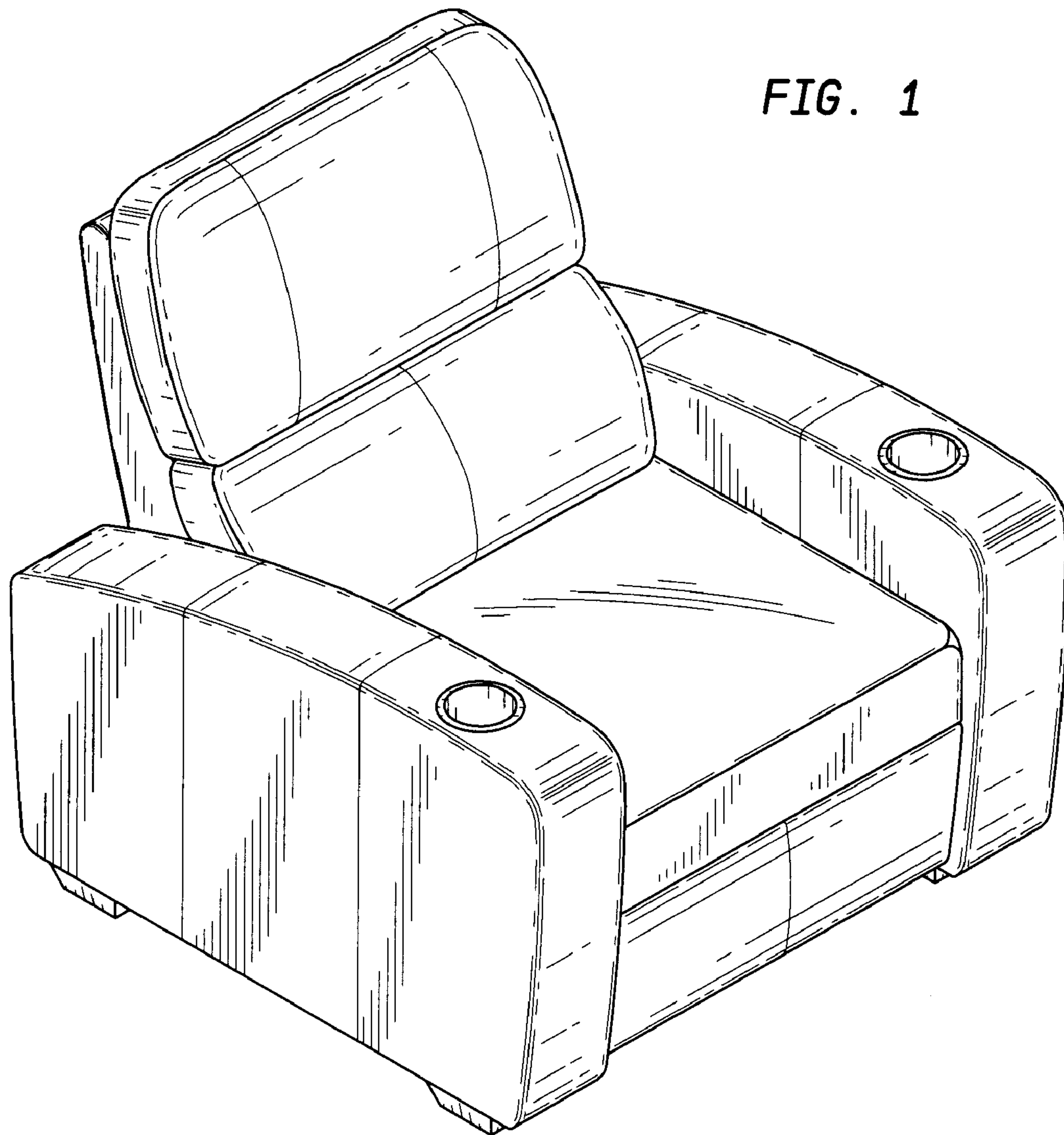


FIG. 1

FIG. 2

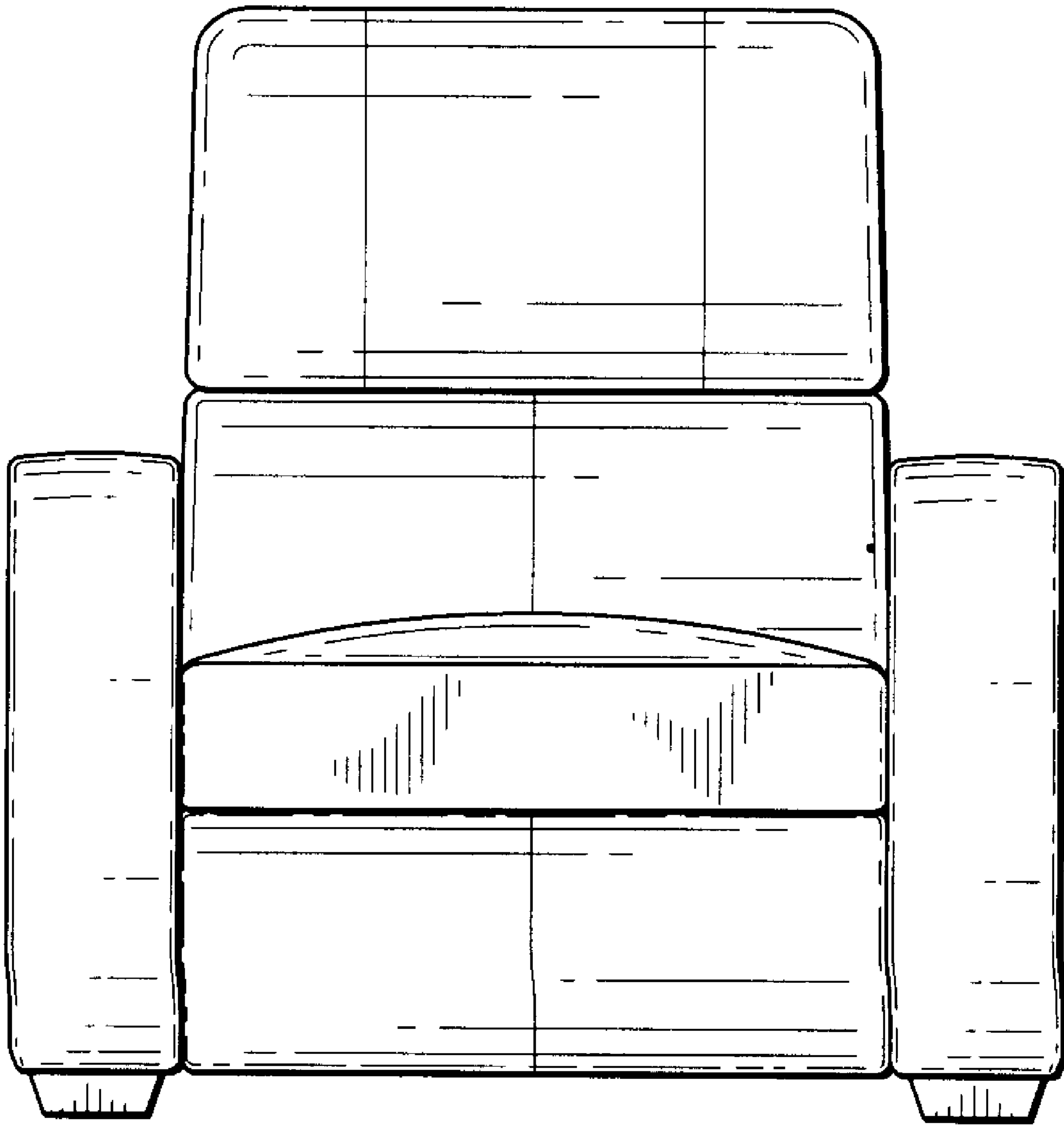


FIG. 3

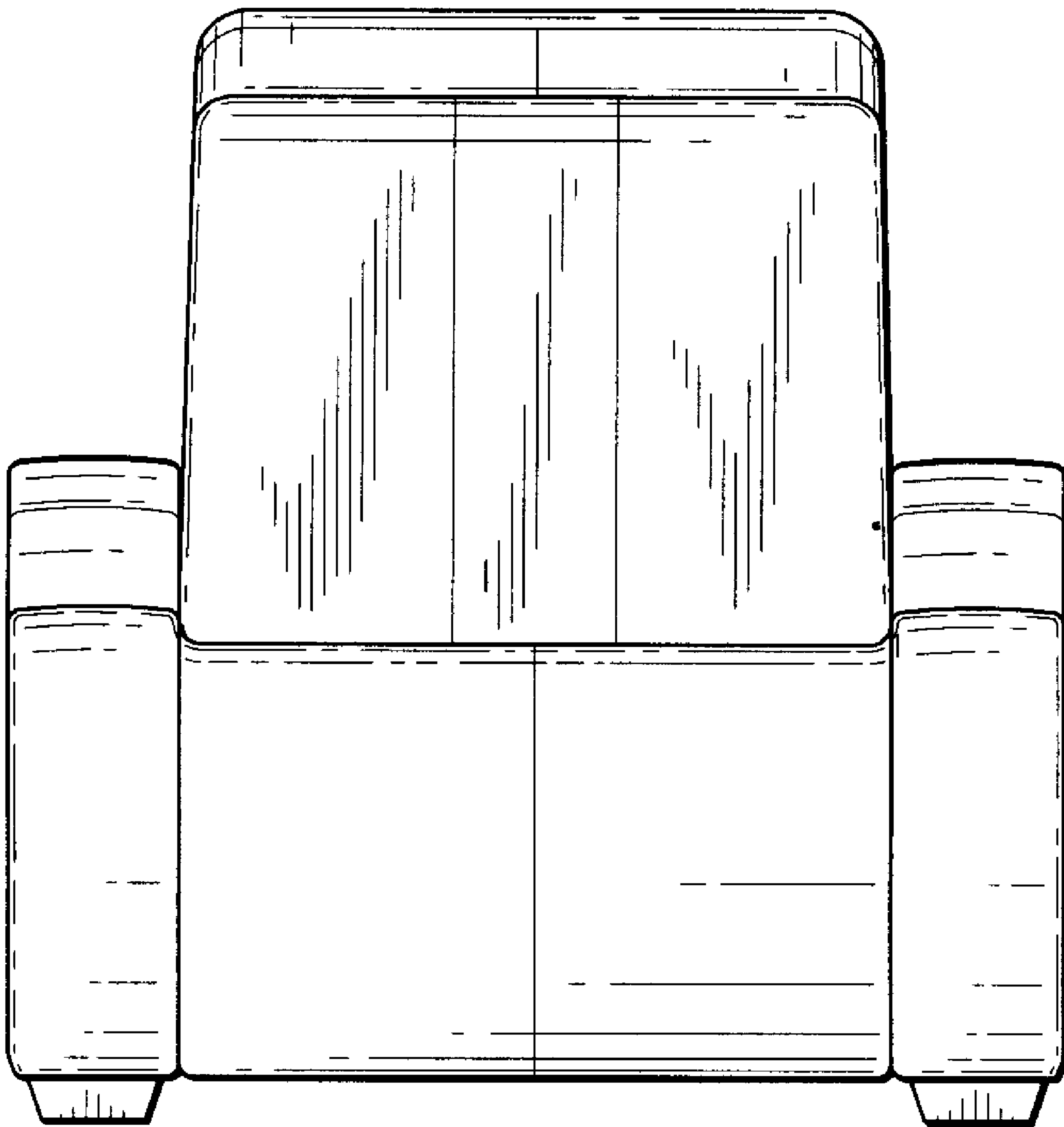


FIG. 4

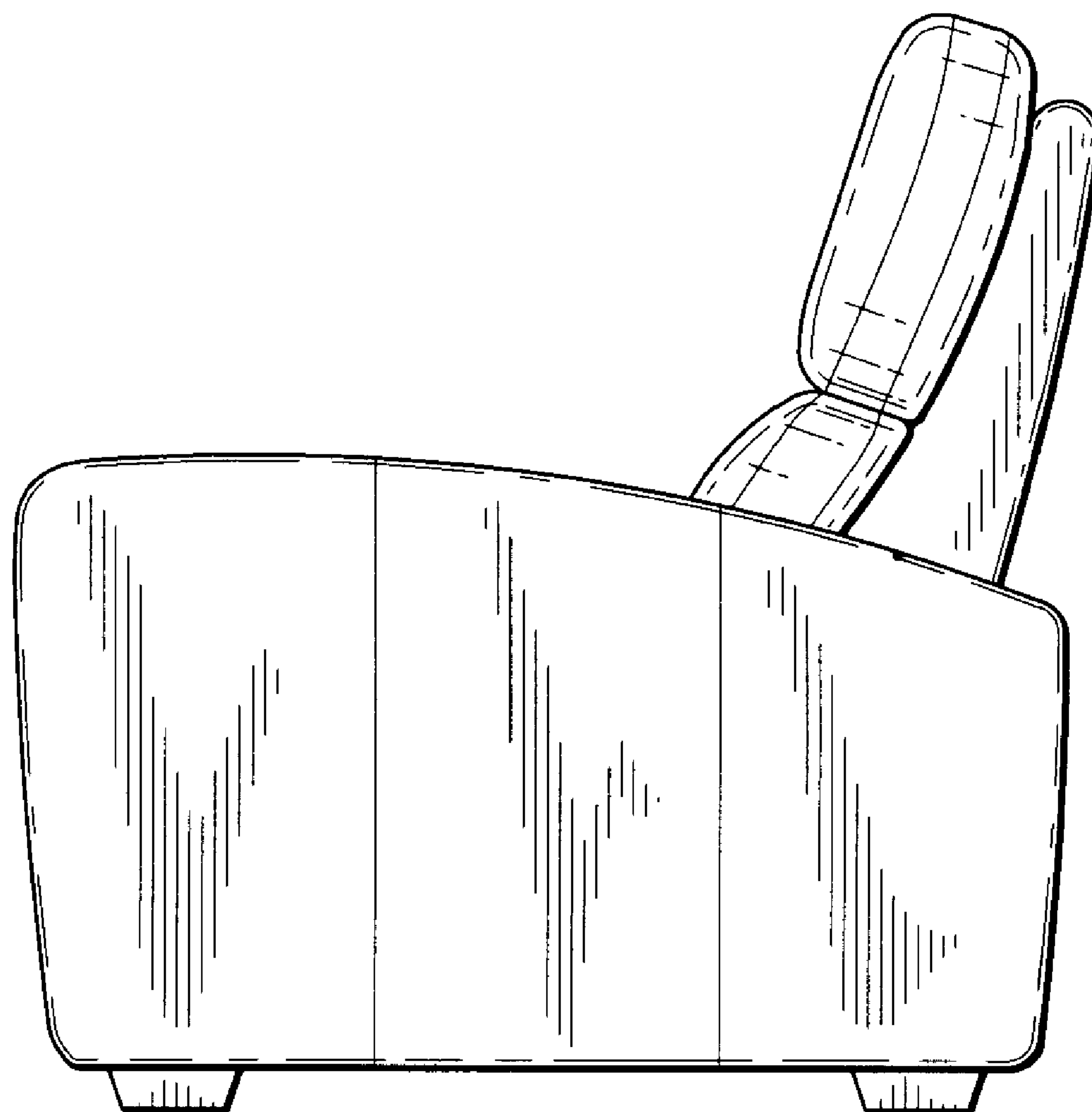


FIG. 5

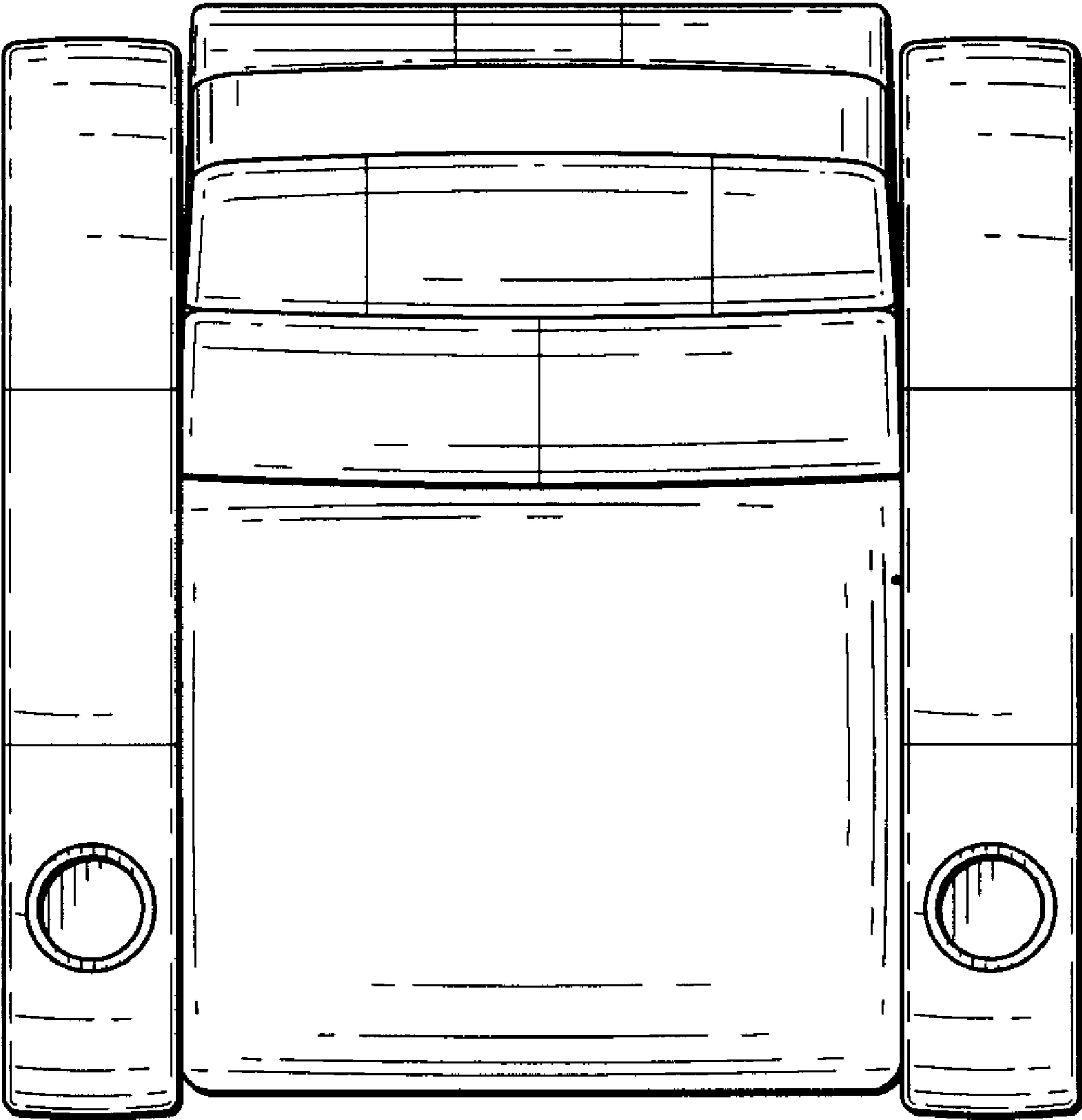


FIG. 6

