



US00D551868S

(12) **United States Design Patent**  
**Chu**

(10) **Patent No.:** **US D551,868 S**

(45) **Date of Patent:** **\*\* Oct. 2, 2007**

(54) **CHAIR**

(75) Inventor: **Zooney C. Chu**, Grand Rapids, MI (US)

(73) Assignee: **Plus Corporation**, Tokyo (JP)

(\*\*) Term: **14 Years**

(21) Appl. No.: **29/265,267**

(22) Filed: **Aug. 29, 2006**

(30) **Foreign Application Priority Data**

Jun. 7, 2006 (JP) ..... 2006-014639

(51) **LOC (8) Cl.** ..... **06-01**

(52) **U.S. Cl.** ..... **D6/366**

(58) **Field of Classification Search** ..... D6/334-336,  
D6/364, 365, 366, 367, 374, 375, 379, 498,  
D6/500-502; 297/411.27, 452.21, 452.24,  
297/452.26, 452.29, 452.32, 452.48; 248/188.7  
See application file for complete search history.

(56) **References Cited**

**U.S. PATENT DOCUMENTS**

D247,463 S \* 3/1978 Muller-Deisig ..... D6/366  
D350,032 S \* 8/1994 Beaulieu ..... D6/366  
D368,596 S \* 4/1996 Breen ..... D6/366

D369,259 S \* 4/1996 Breen ..... D6/500  
D403,521 S \* 1/1999 Wilson ..... D6/366  
D413,027 S \* 8/1999 Breen ..... D6/366  
D477,469 S \* 7/2003 Brooks ..... D6/366  
D514,338 S \* 2/2006 Bellin ..... D6/366

\* cited by examiner

*Primary Examiner*—Mimosa De

(74) *Attorney, Agent, or Firm*—Bingham McCutchen LLP

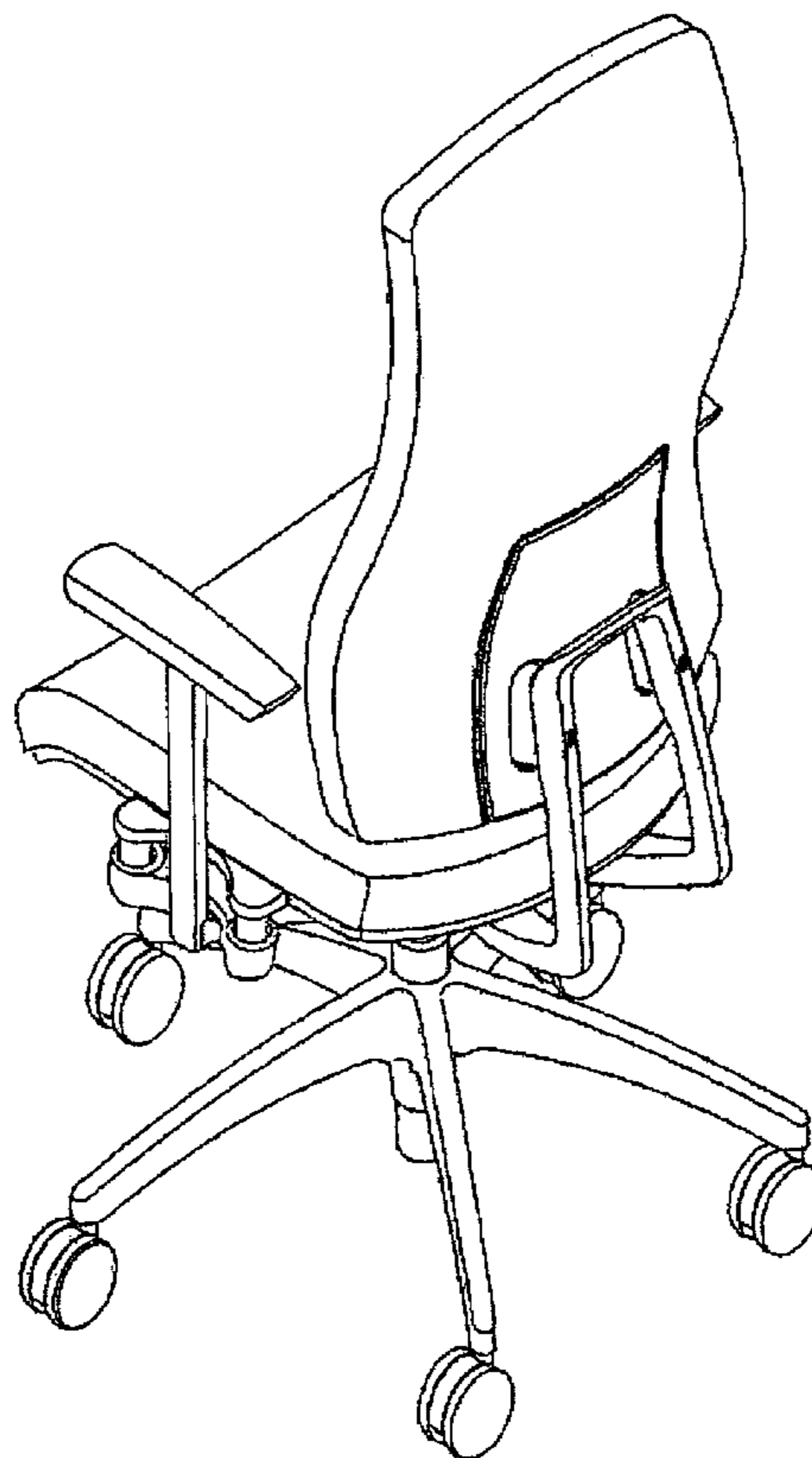
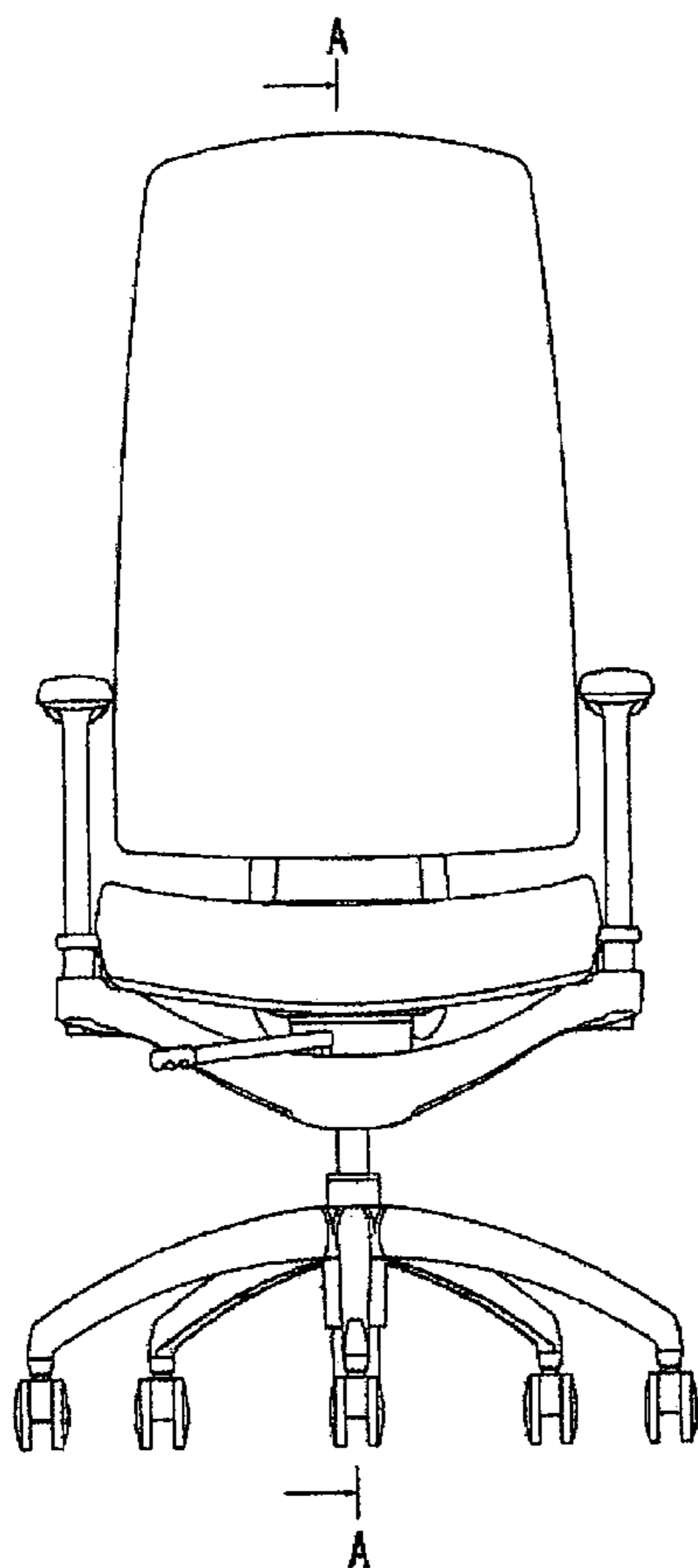
(57) **CLAIM**

The ornamental design for a chair, as shown and described.

**DESCRIPTION**

FIG. 1 is a front elevation view of a chair of my new design;  
FIG. 2 is a rear elevation view of the chair of FIG. 1;  
FIG. 3 is a top plan view of the chair of FIG. 1;  
FIG. 4 is a right side view of the chair of FIG. 1; and  
FIG. 5 is a left side view of the chair of FIG. 1.  
FIG. 6 is a cross-sectional view of the chair of FIG. 1.  
FIG. 7 is a left front perspective view of the chair of FIG. 1;  
and,  
FIG. 8 is a left rear perspective view of the chair of FIG. 1.

**1 Claim, 8 Drawing Sheets**



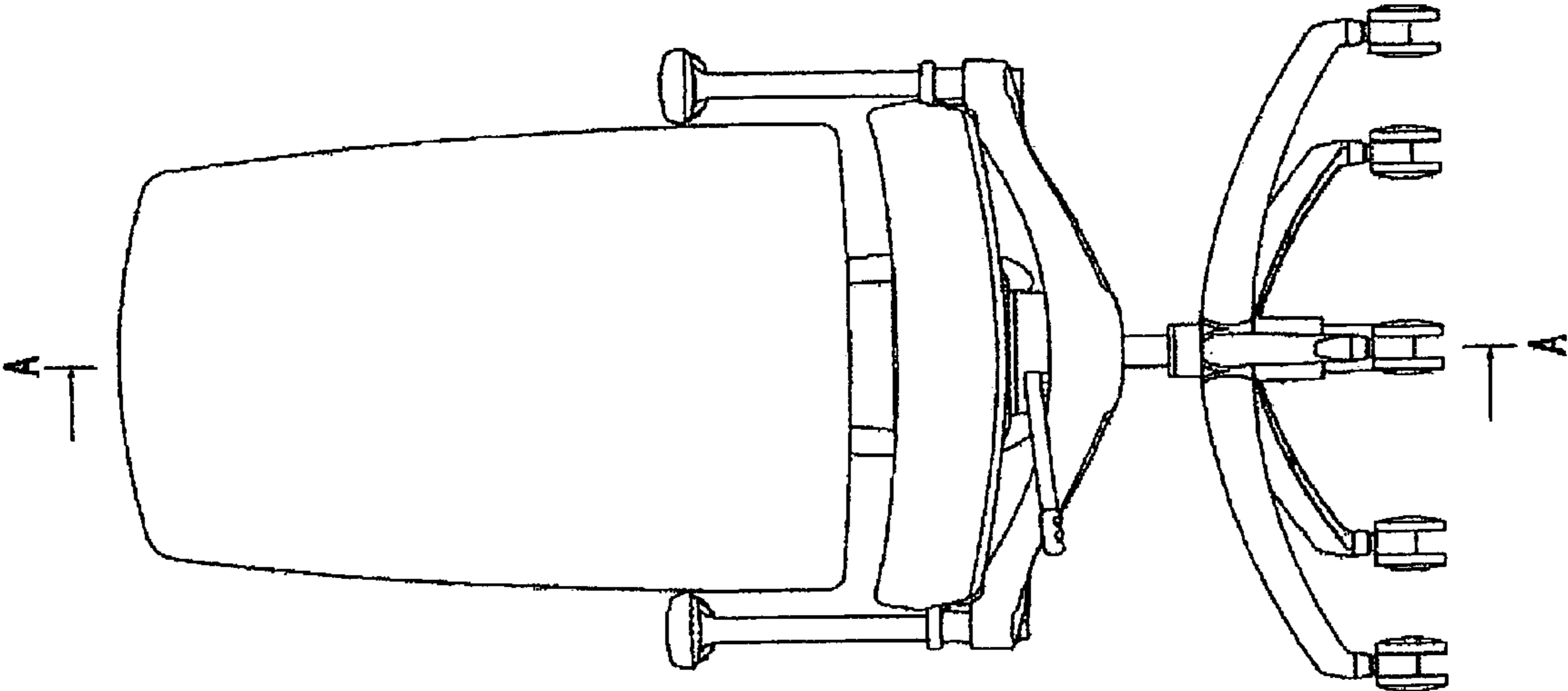


FIG. 1

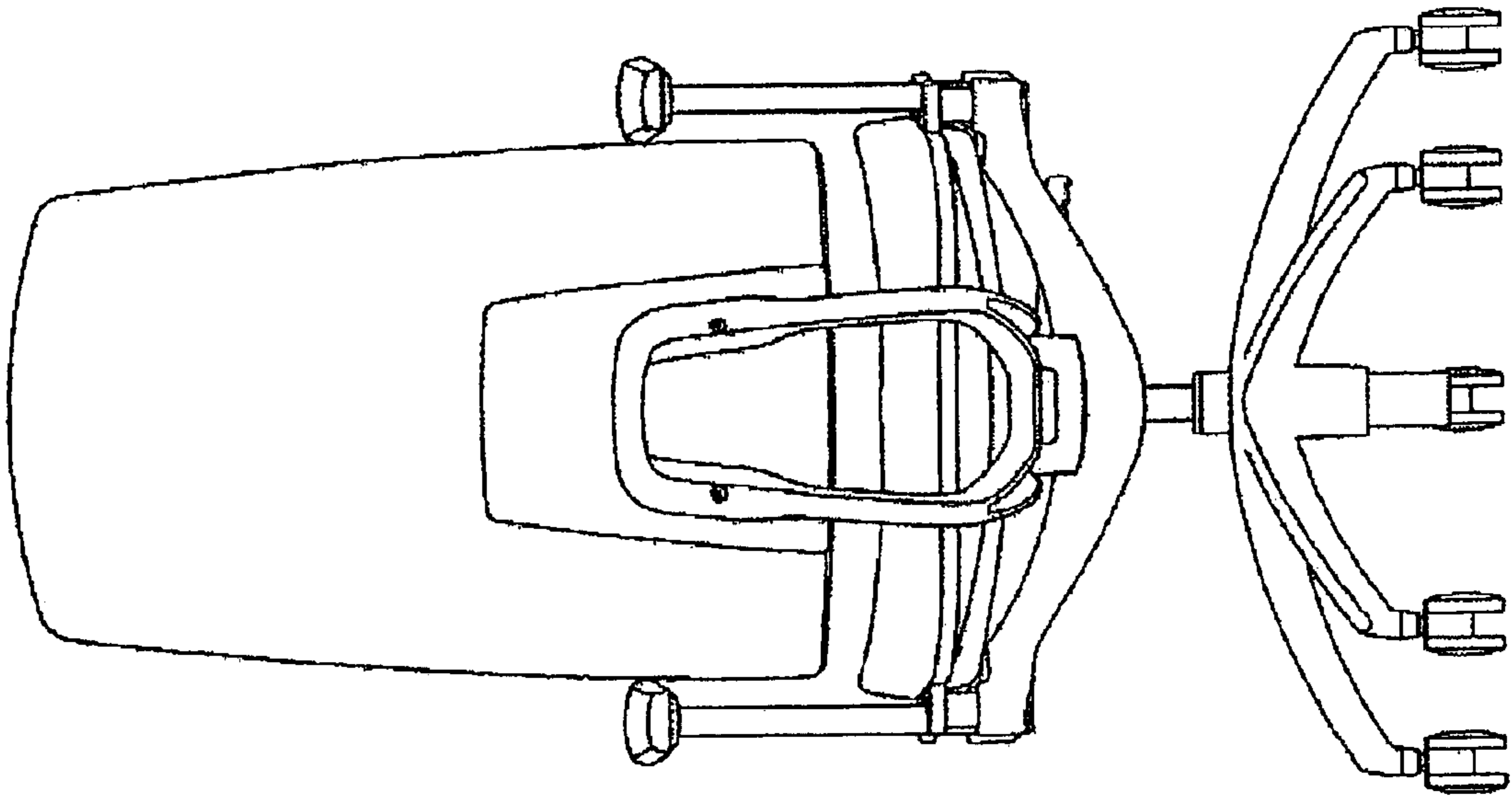


FIG. 2

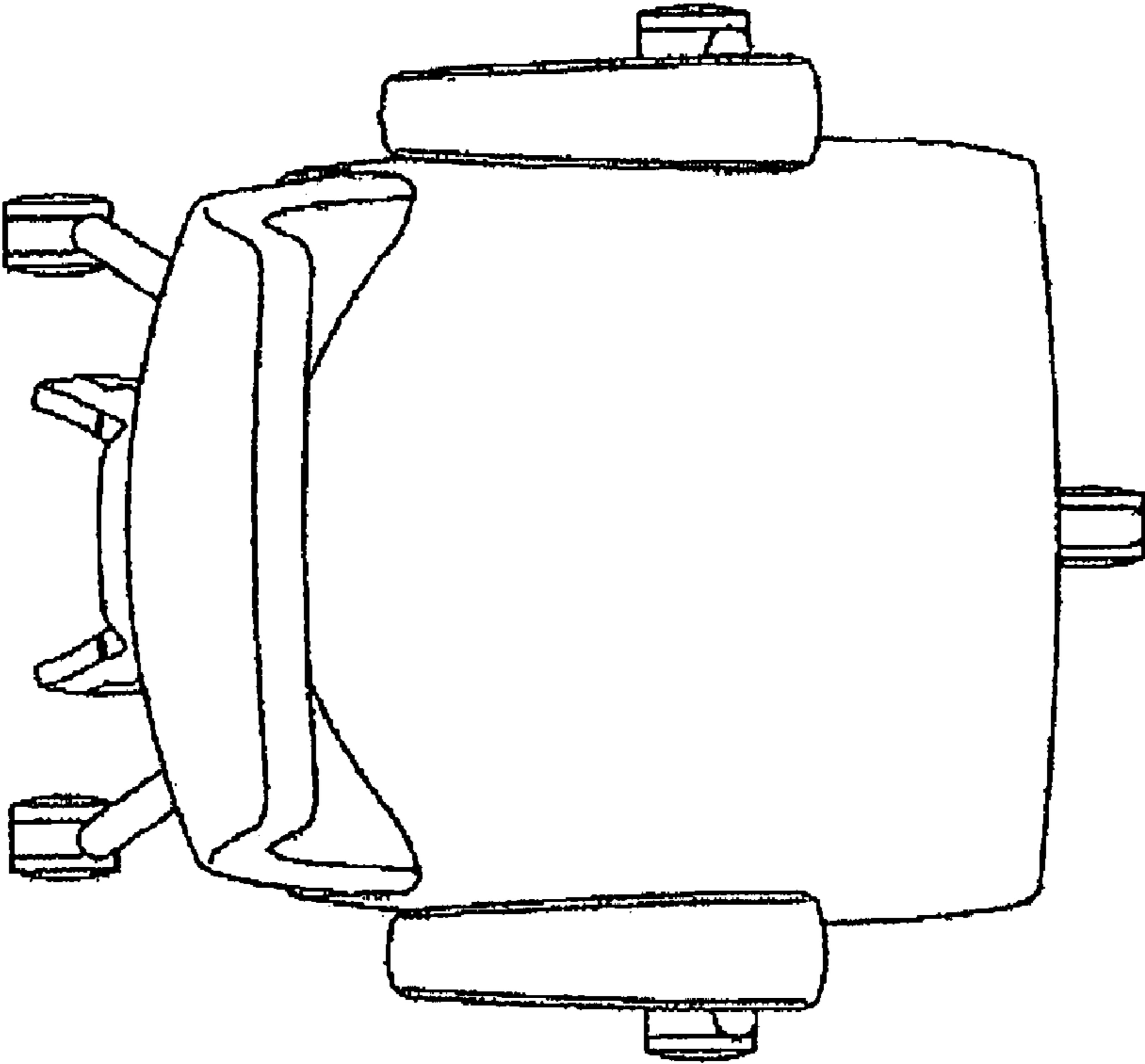


FIG. 3

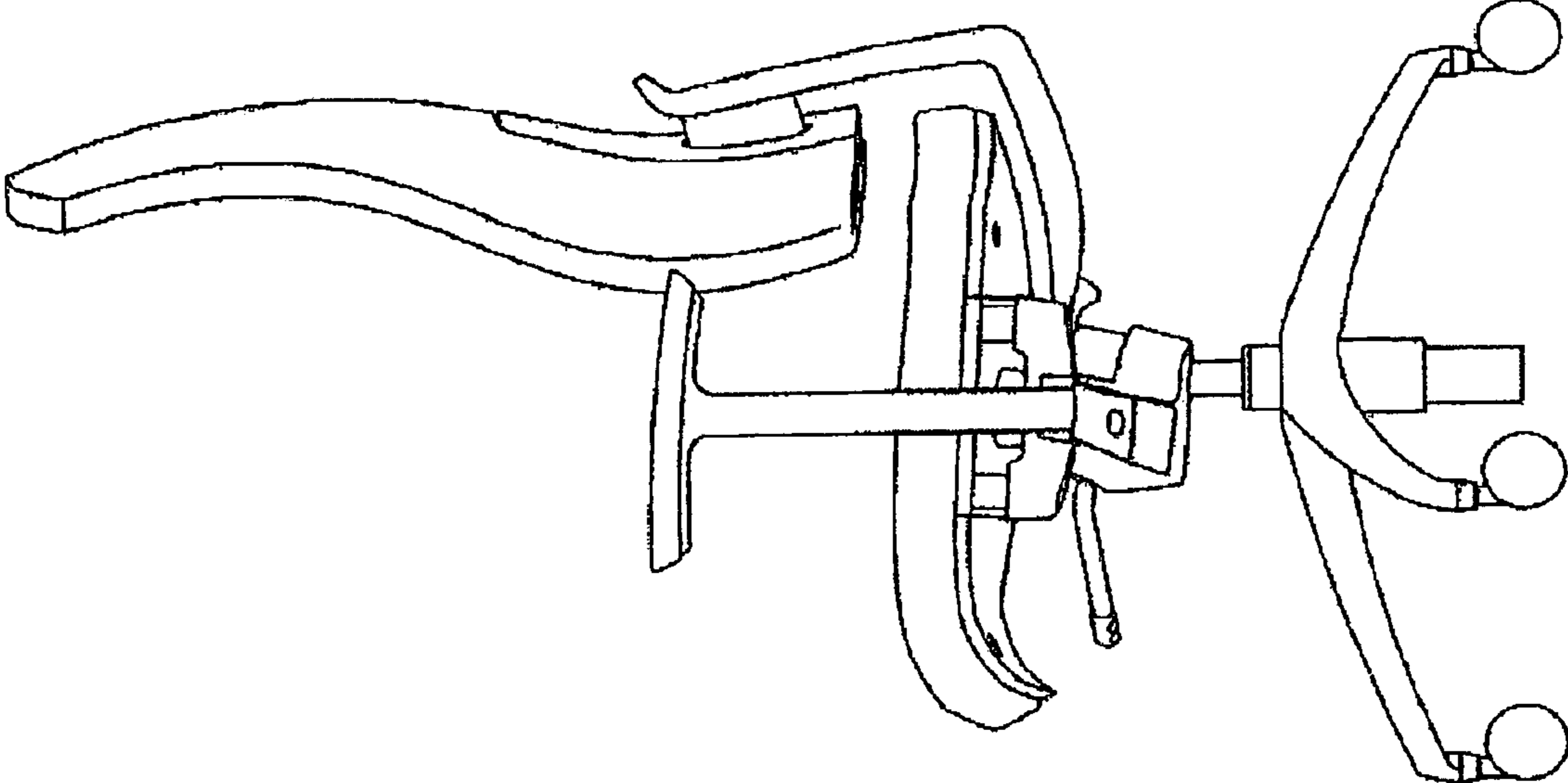


FIG. 4

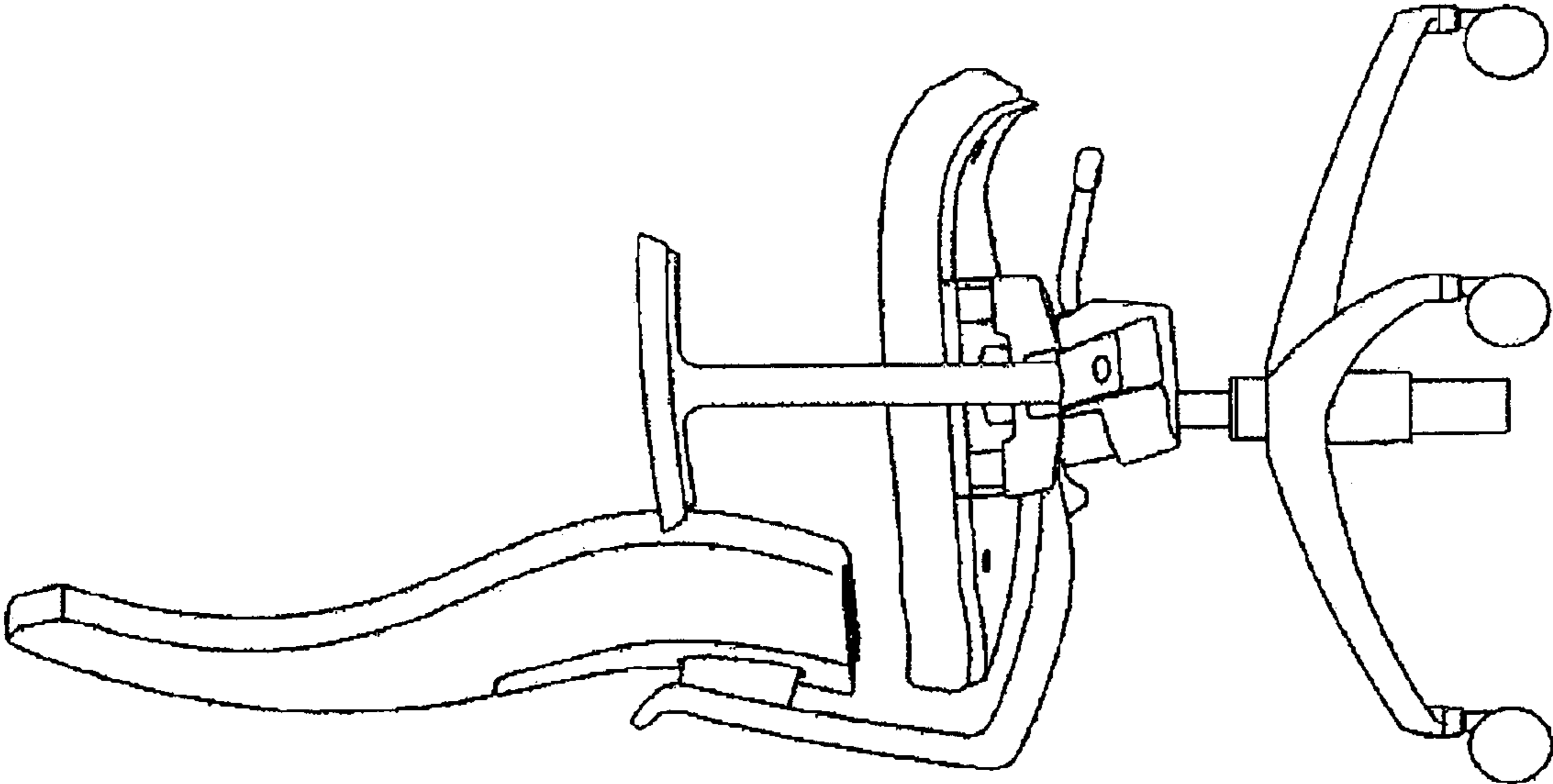


FIG. 5

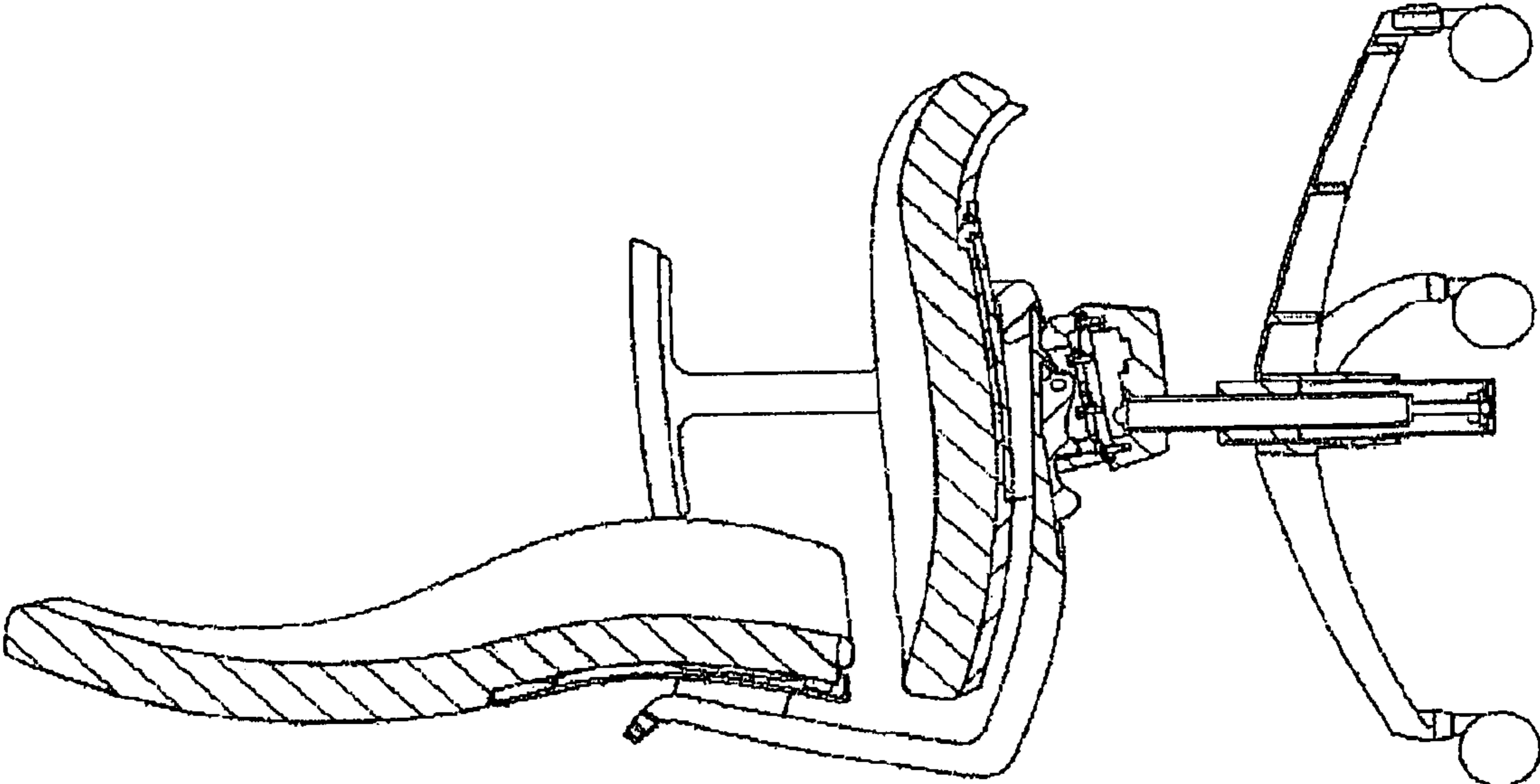


FIG. 6

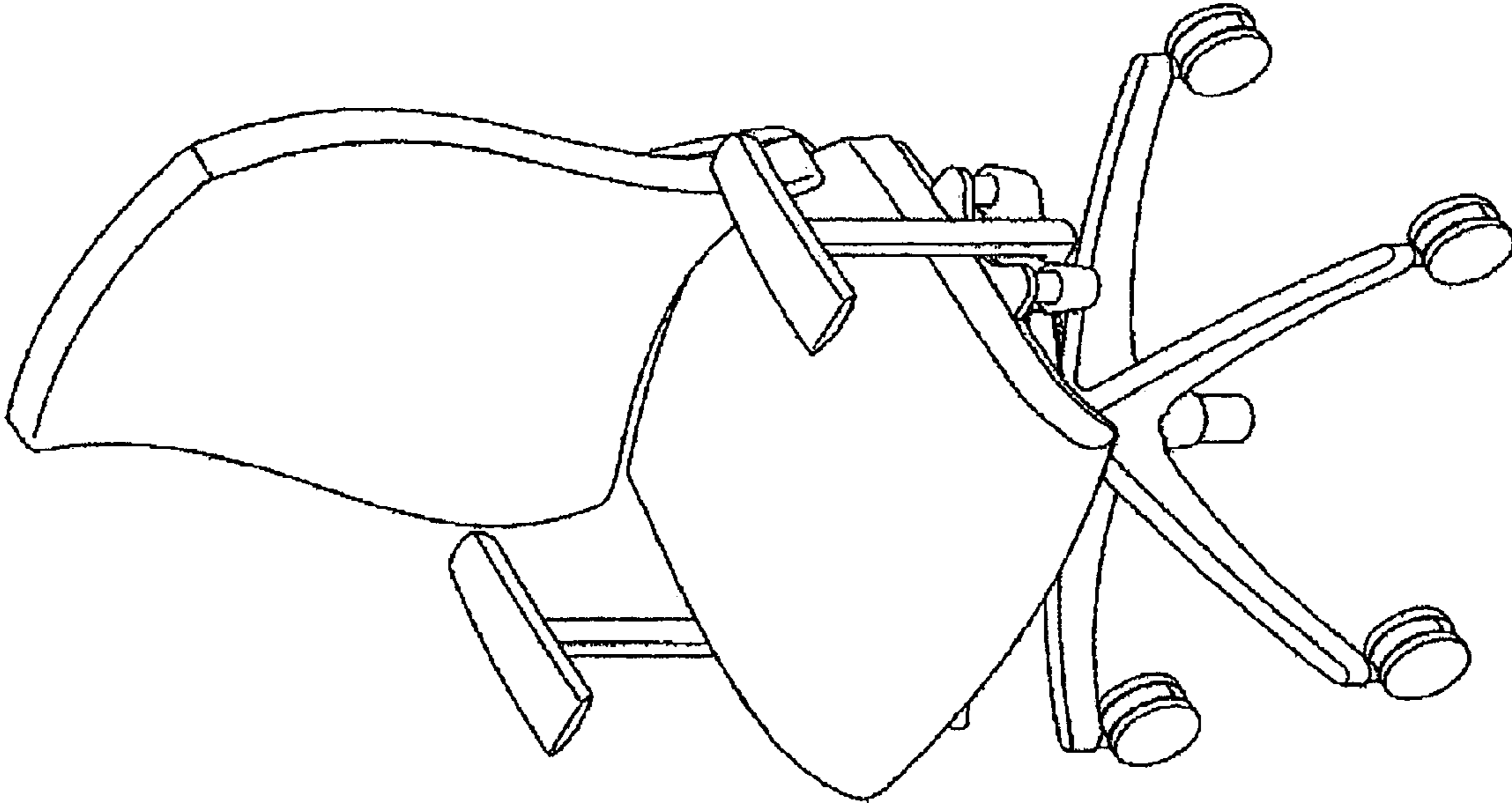


FIG. 7



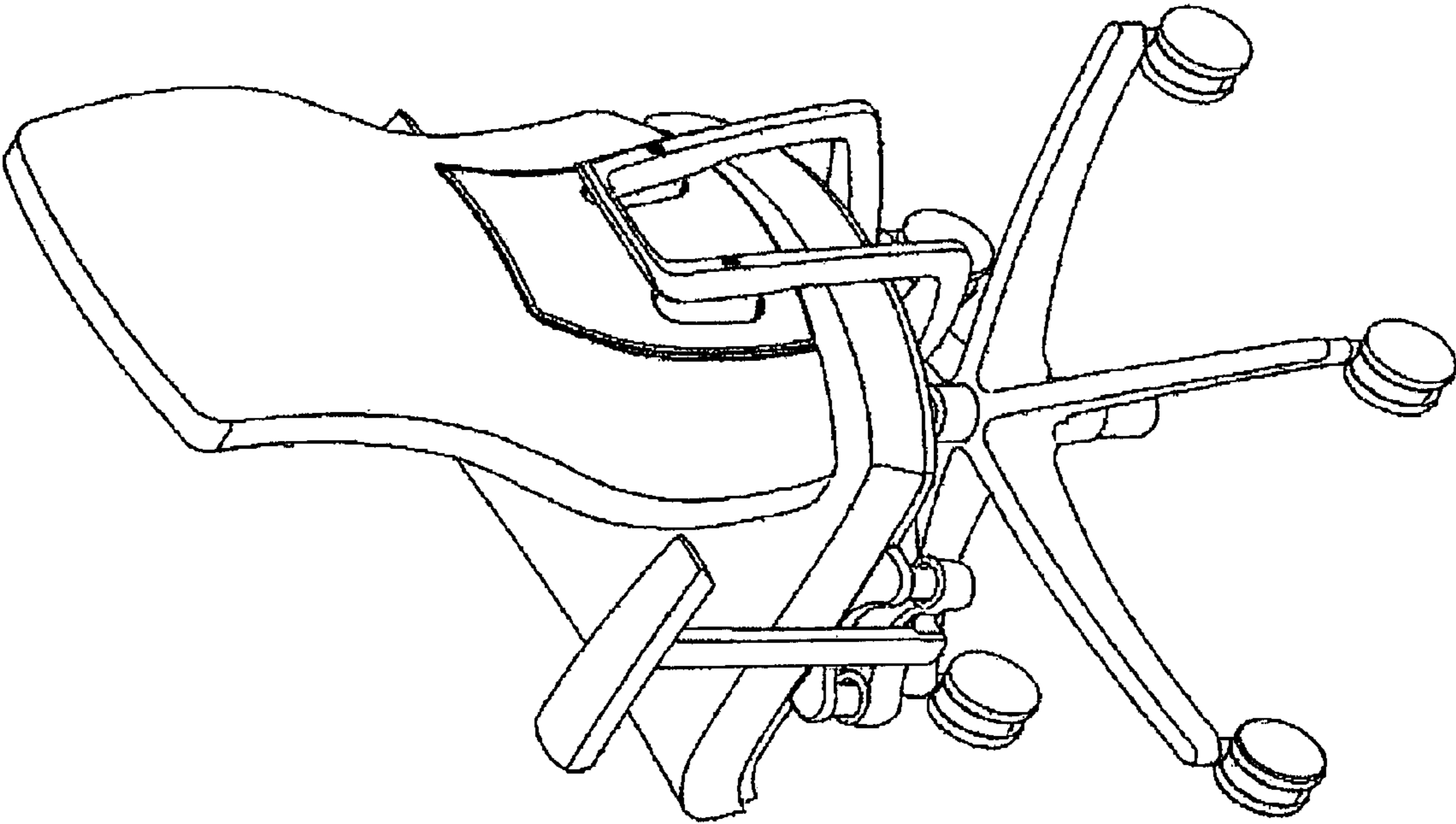


FIG. 8