



US00D551861S

(12) **United States Design Patent**  
**Tate**

(10) **Patent No.:** **US D551,861 S**

(45) **Date of Patent:** **\*\* Oct. 2, 2007**

(54) **RAINBOW CADDY**

6,688,316 B1 2/2004 Klug  
D531,406 S \* 11/2006 Tate ..... D3/271.3

(76) Inventor: **Diane T. Tate**, 221 Jacaranda Dr.,  
Battle Creek, MI (US) 49015

**OTHER PUBLICATIONS**

(\*\*) Term: **14 Years**

Valise with Drawers Jewelry Box. Downloaded Jan. 28, 2007 at  
<http://www.pitneymanor.com/Valise-with-Drdrawers-Jewelry-Box~p...> \*

(21) Appl. No.: **29/233,115**

Internet Product 16 Drawer Organizer, <http://www.action-electronics.com/akromils.htm>.

(22) Filed: **Jun. 28, 2005**

Internet Product 3 Drawer Acrylic Organizer w/Chrome Knobs,  
<http://www.organizes-it.com/poacrydraw.php>.

(51) **LOC (8) Cl.** ..... **03-01**

Internet Product Deluxe Jewelry Organizer, <http://www.organizes-it.com/pojewelbox.php>.

(52) **U.S. Cl.** ..... **D3/297; D3/276; D6/441**

(58) **Field of Classification Search** ..... D3/20-21,  
D3/271.1, 271.7, 276, 297, 901, 903, 905;  
D6/434, 436, 441; D28/73, 75-77; 206/6.1,  
206/457, 823; 132/286-287; 312/204, 902  
See application file for complete search history.

\* cited by examiner

*Primary Examiner*—Philip S. Hyder  
*Assistant Examiner*—RoseLynne [Ulm] Cody  
(74) *Attorney, Agent, or Firm*—Beem Patent Law Firm

(56) **References Cited**

(57) **CLAIM**

**U.S. PATENT DOCUMENTS**

The ornamental design for a rainbow caddy, as shown and described.

D37,342 S *	2/1905	Dzubay	.....	D6/434
2,060,466 A *	11/1936	Gutenstein	.....	132/316
D308,127 S *	5/1990	Doyel	.....	D3/20
D351,283 S *	10/1994	Wolff	.....	D3/281
5,464,280 A	11/1995	Runger		
5,782,372 A	7/1998	Weiss et al.		
D405,225 S *	2/1999	Vicale	.....	D27/189
5,875,794 A	3/1999	Ekman		
D437,711 S	2/2001	Berg		
6,202,851 B1	3/2001	Walker		
6,338,535 B1	1/2002	Rickert		
D461,637 S *	8/2002	Kaplan	.....	D3/290
D479,912 S *	9/2003	Wolf	.....	D3/294
D482,198 S *	11/2003	Wolf	.....	D3/295
6,672,463 B2	1/2004	Dashefsky		

**DESCRIPTION**

FIG. 1 is a perspective view of a rainbow caddy showing my design.

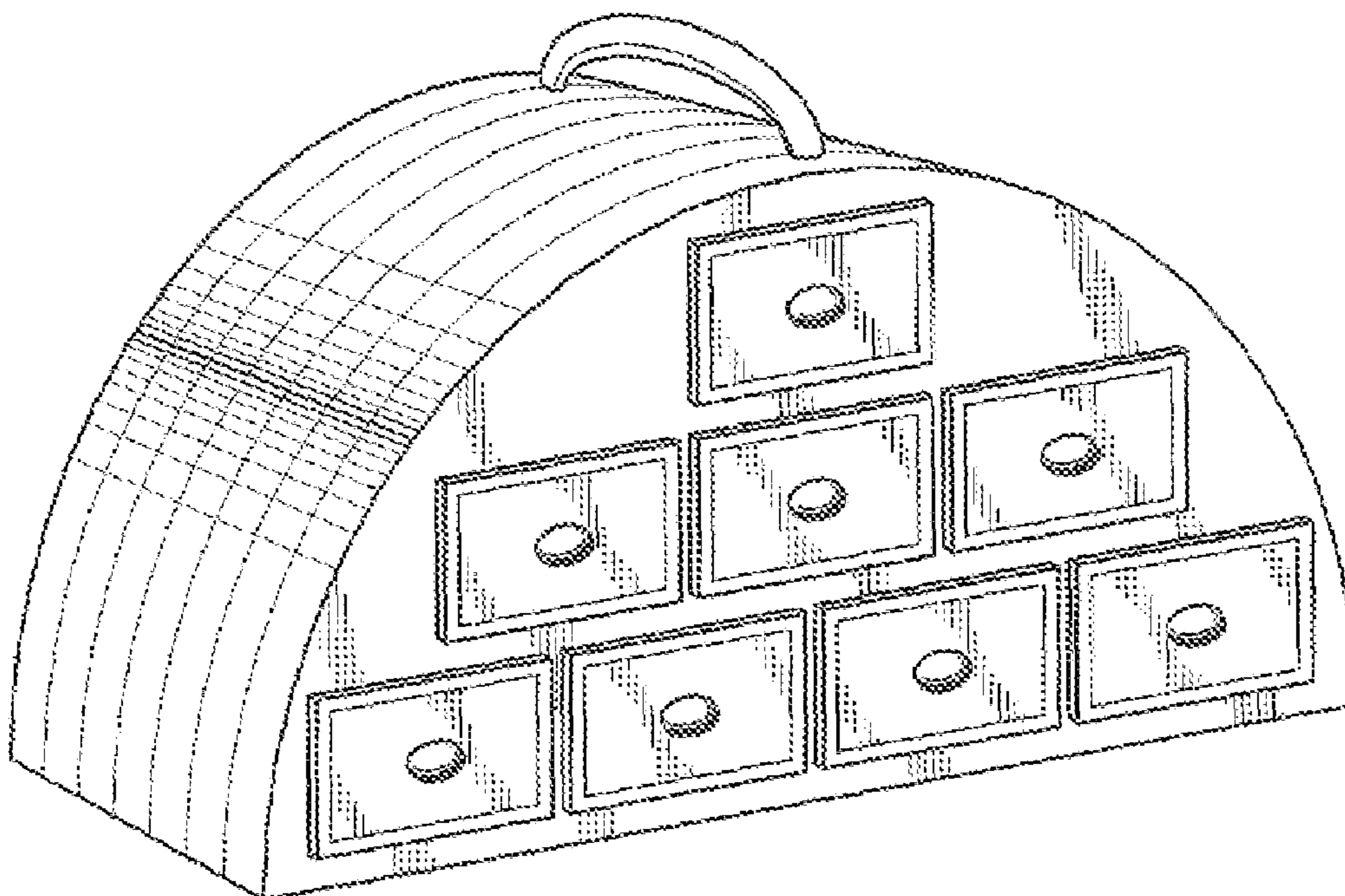
FIG. 2 is a top view of the caddy of FIG. 1.

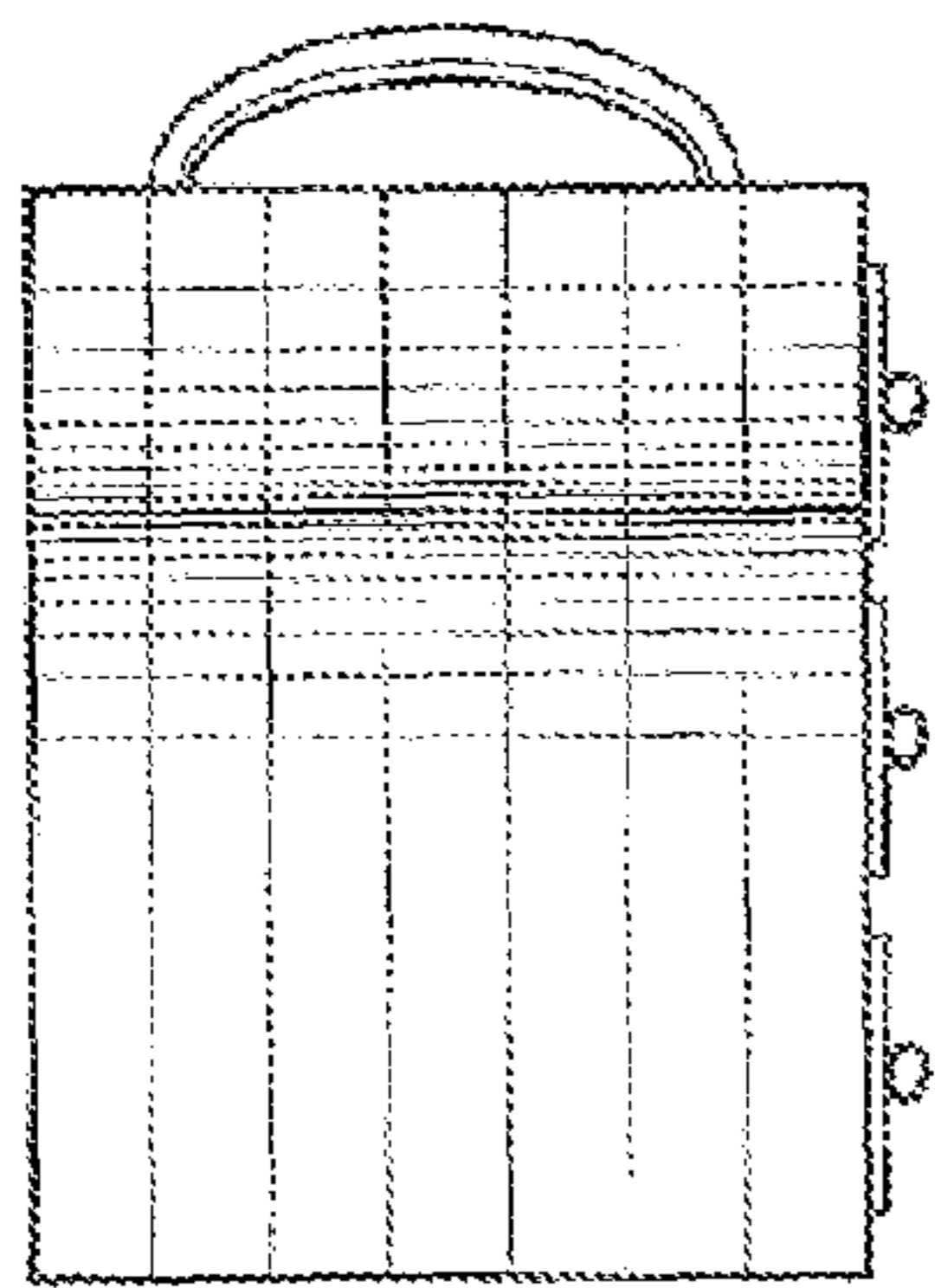
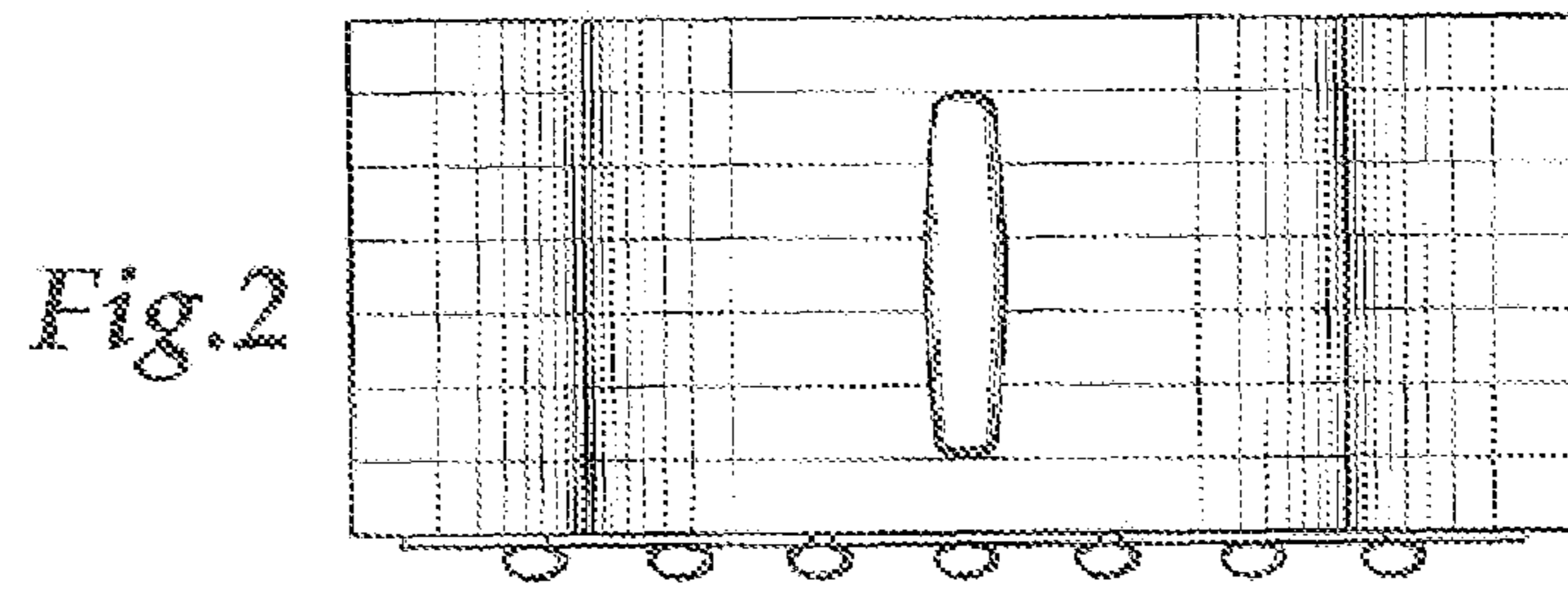
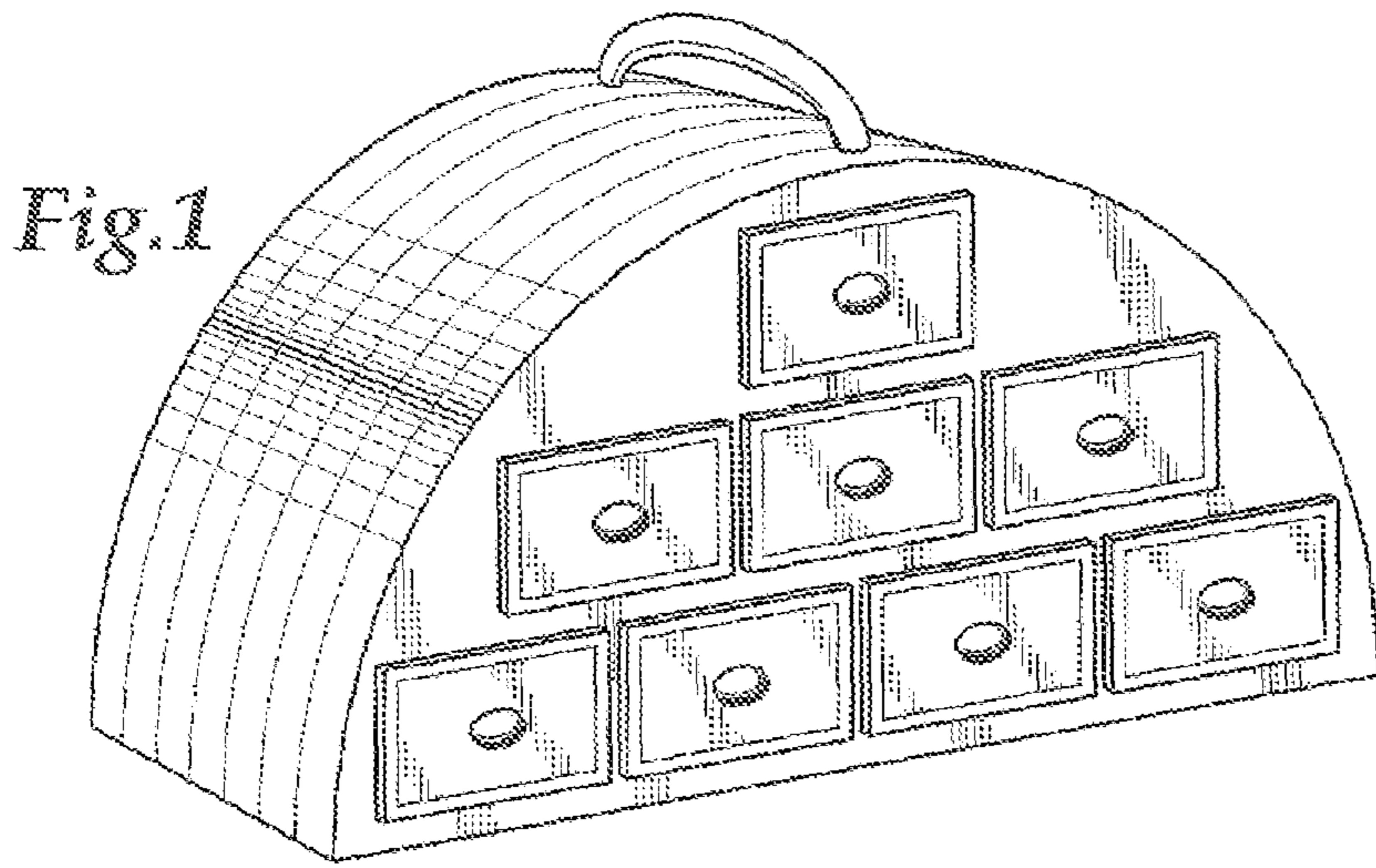
FIG. 3 is a side view of the caddy of FIG. 1, the other side being a mirror image thereof.

FIG. 4 is a front view of the caddy of FIG. 1; and,

FIG. 5 is a back view of the caddy of FIG. 1.

**1 Claim, 1 Drawing Sheet**





*Fig.3*

