



US00D551860S

(12) **United States Design Patent**  
**Northrop**

(10) **Patent No.:** **US D551,860 S**

(45) **Date of Patent:** **\*\* Oct. 2, 2007**

(54) **DOG TOY BOX**

(75) Inventor: **Melaney Northrop**, Arlington, TX (US)

(73) Assignee: **Doskocil Manufacturing Company, Inc.**, Arlington, TX (US)

(\*\*) Term: **14 Years**

(21) Appl. No.: **29/256,073**

(22) Filed: **Mar. 15, 2006**

(51) **LOC (8) Cl.** ..... **03-01**

(52) **U.S. Cl.** ..... **D3/288**

(58) **Field of Classification Search** ..... D3/20,  
D3/201, 272-273, 276, 284-286, 288, 304,  
D3/307-308, 905; D6/429-432, 440; D30/108-109,  
D30/112; 119/474; 229/114, 117.09; 220/826  
See application file for complete search history.

(56) **References Cited**

U.S. PATENT DOCUMENTS

1,519,539	A *	12/1924	Grey	.....	229/125.08
2,192,686	A *	3/1940	Hummel	.....	229/117.09
3,567,063	A *	3/1971	Kovach	.....	220/826
D251,040	S	2/1979	Pawlak		
D257,528	S *	11/1980	Cherry	.....	D9/431
D268,311	S *	3/1983	De Persia	.....	D6/433
D333,386	S *	2/1993	Kahl	.....	D3/288
D381,223	S	7/1997	Brunner et al.		
D407,237	S *	3/1999	Stangl	.....	D6/440
D410,350	S *	6/1999	Stangl	.....	D6/440
D436,728	S *	1/2001	Harding	.....	D3/304
D474,605	S *	5/2003	Wolf	.....	D3/321
D483,565	S *	12/2003	Wolf	.....	D3/321

D510,189	S *	10/2005	Greiner	.....	D3/295
7,044,277	B2 *	5/2006	Redzisz	.....	190/107
D531,802	S *	11/2006	Zimmerman	.....	D3/302
2004/0226989	A1 *	11/2004	Cook et al.	.....	229/114
2005/0167475	A1 *	8/2005	Graham	.....	229/114

\* cited by examiner

*Primary Examiner*—Gary D. Watson

*Assistant Examiner*—R. L. (Ulm) Cody

(74) *Attorney, Agent, or Firm*—Locke Liddell & Sapp LLC;  
Martin Korn

(57) **CLAIM**

The ornamental design for a dog toy box, as shown and described.

**DESCRIPTION**

FIG. 1 is a perspective view of a dog toy box with the lid in a closed position;

FIG. 2 is a front elevational view thereof;

FIG. 3 is a rear elevational view thereof;

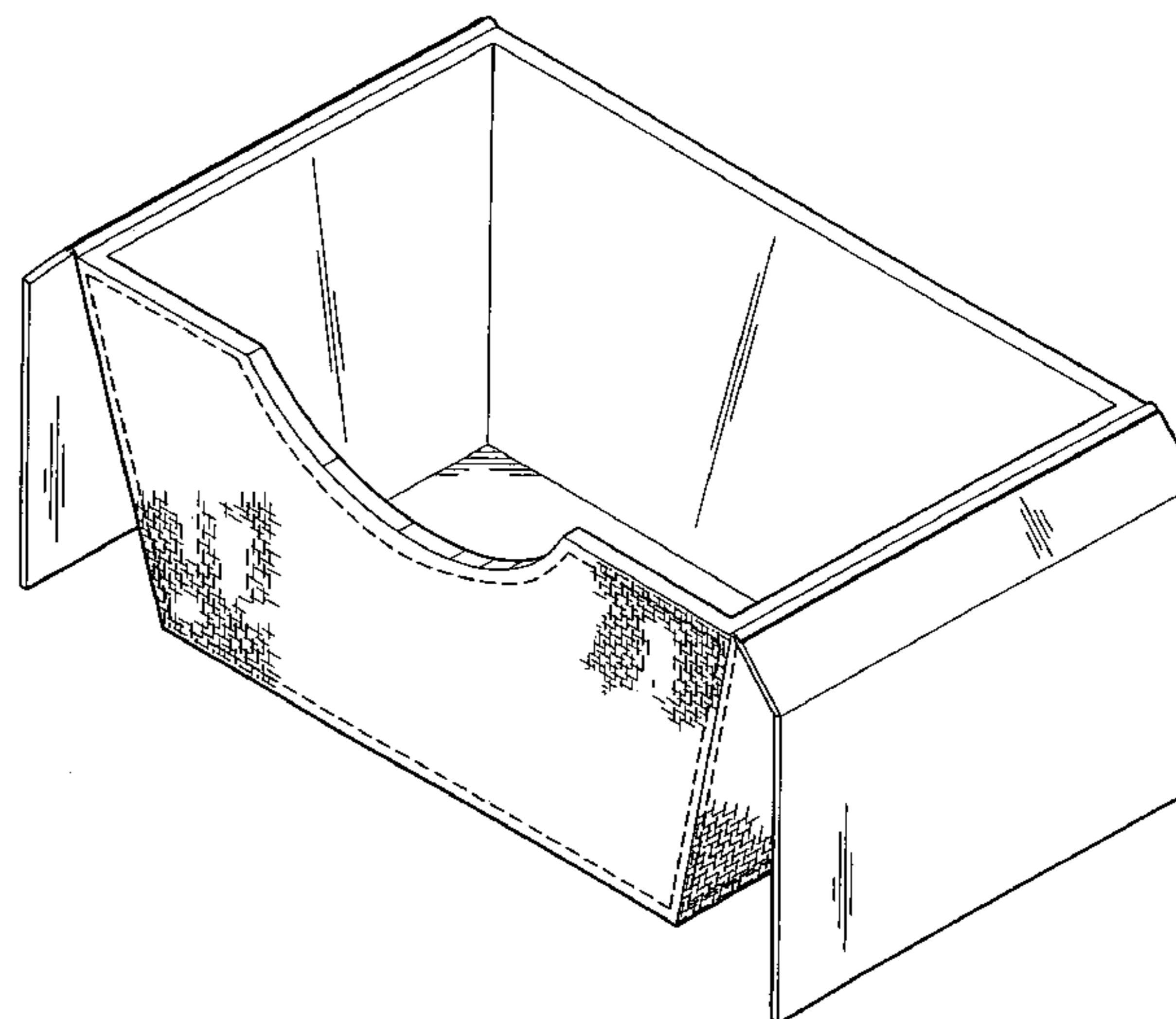
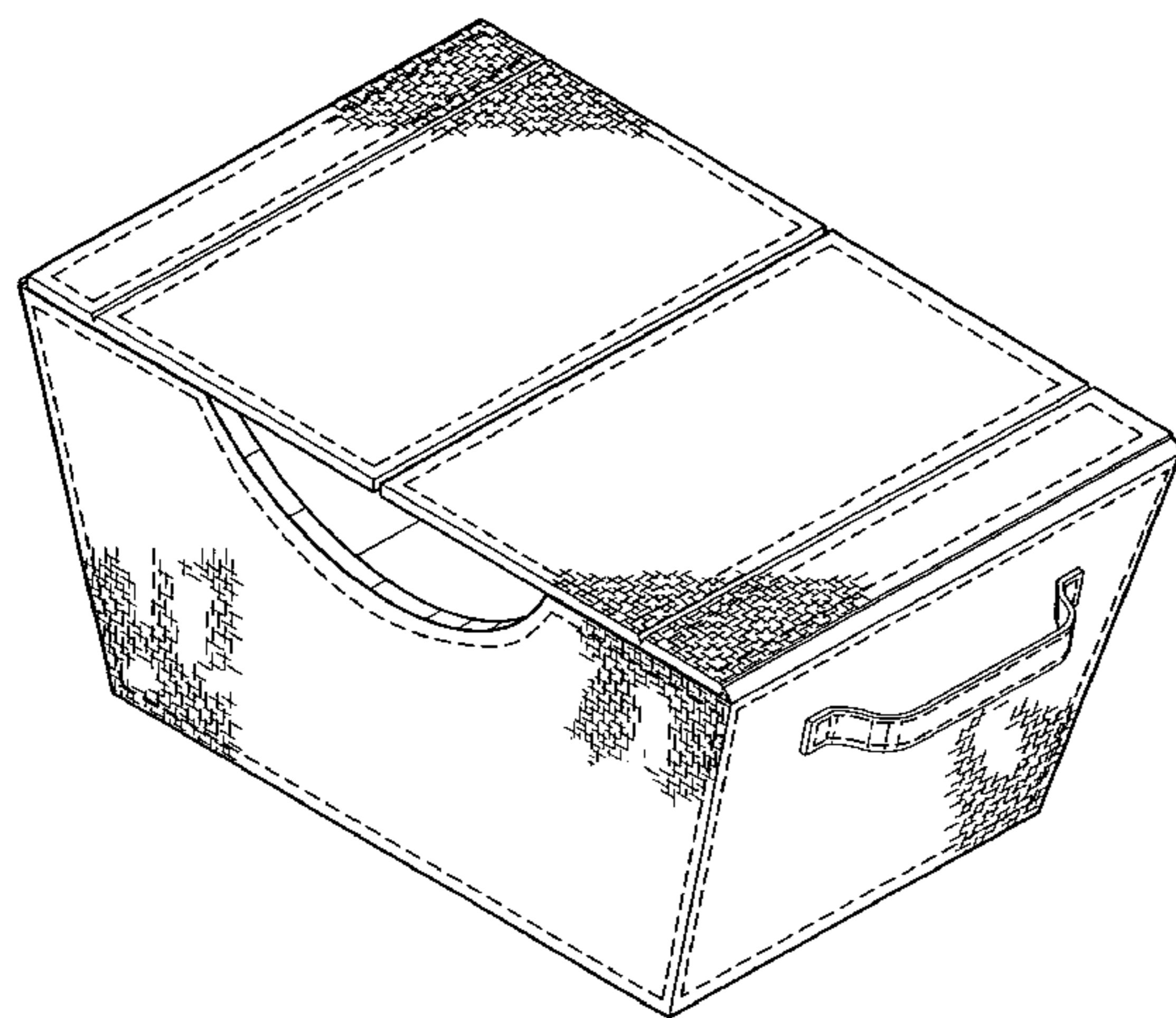
FIG. 4 is a top plan view thereof;

FIG. 5 is a right side elevational view thereof, the left side elevational view being a mirror image thereof; and,

FIG. 6 is a perspective view of the dog toy box shown in FIG. 1 with the lid in an open position.

The dashed lines shown in the drawings represent stitching and form part of the claimed design. The cross-hatching indicates a leather-like surface treatment that extends across the entirety of the surfaces on which it is shown.

**1 Claim, 2 Drawing Sheets**



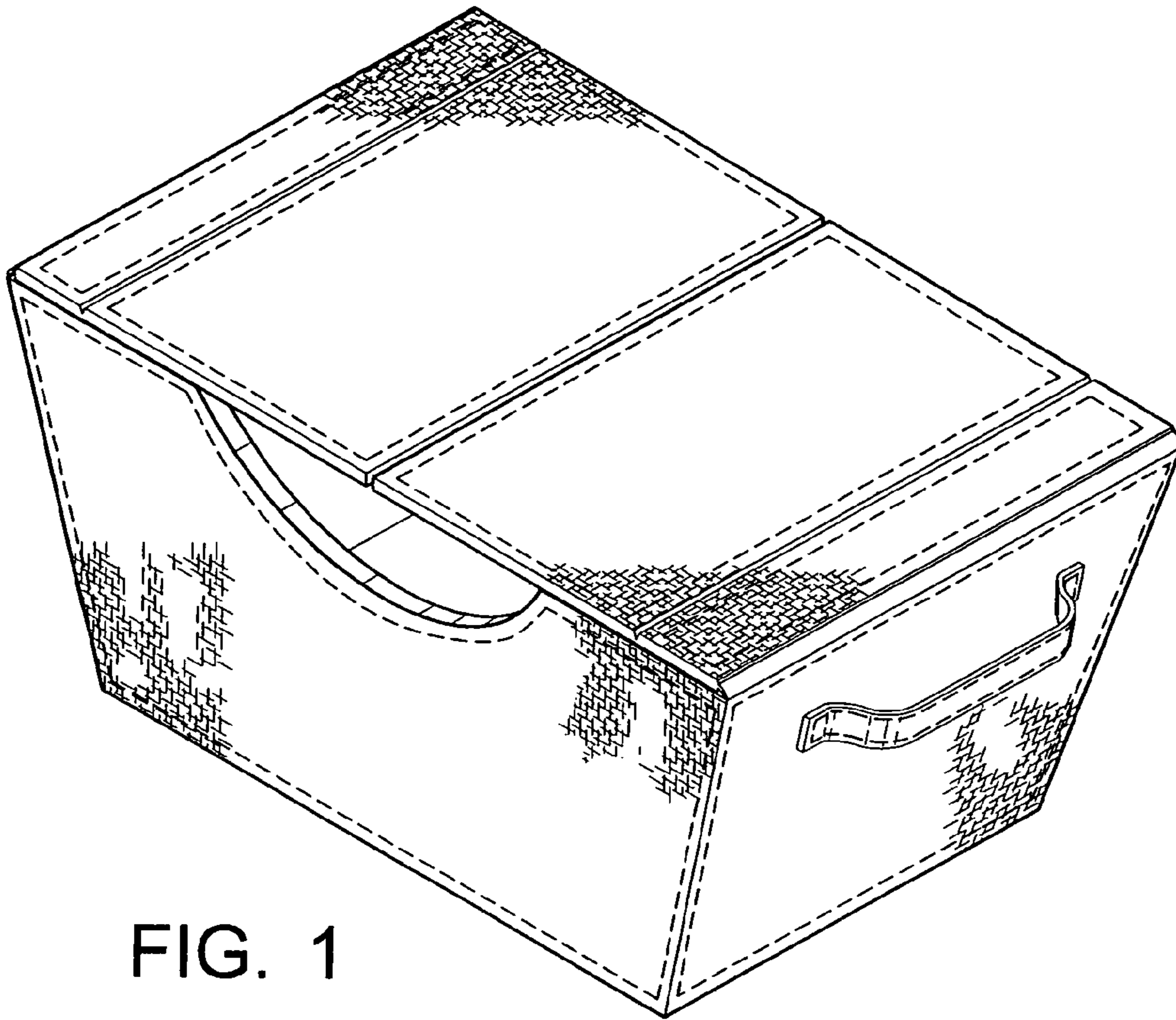


FIG. 1

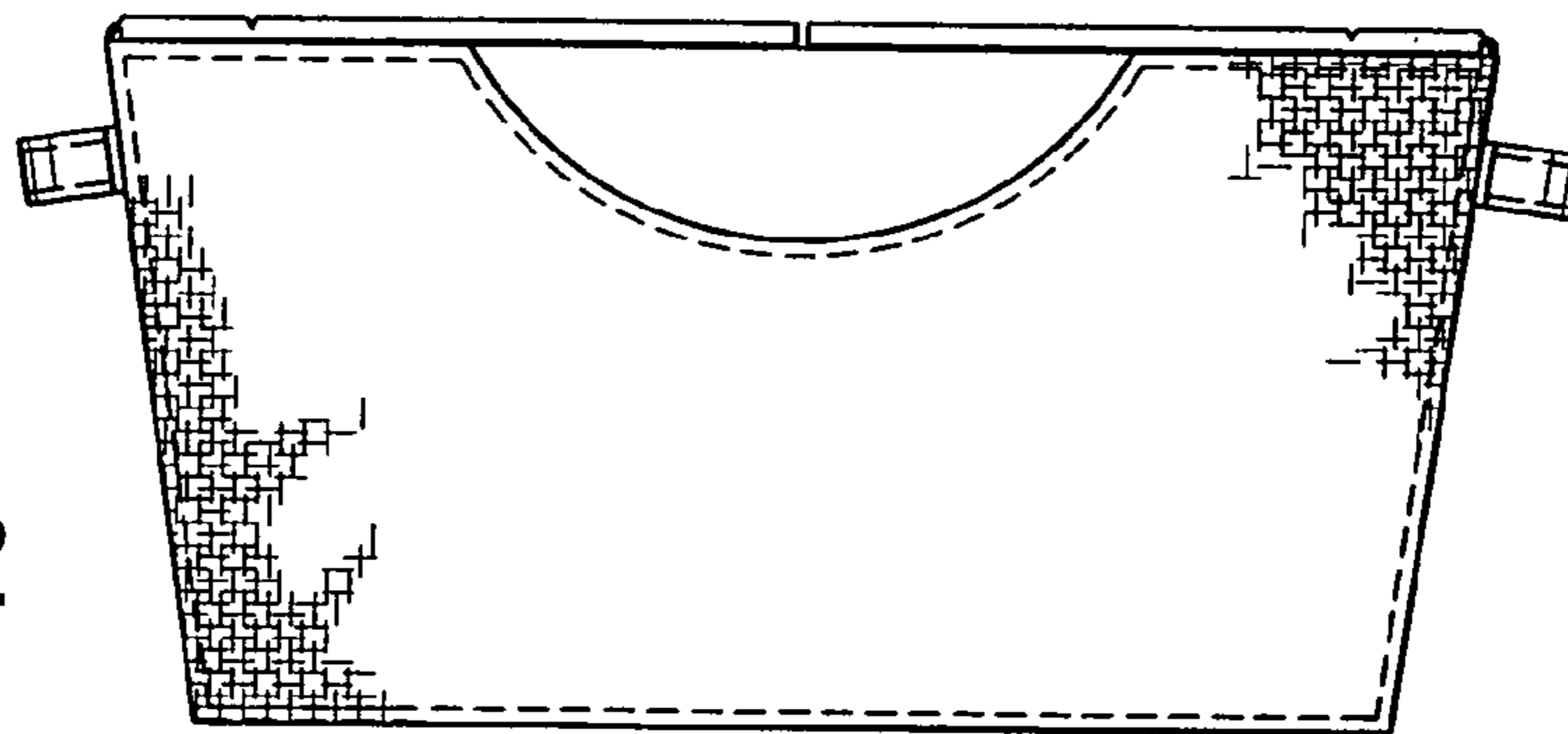


FIG. 2

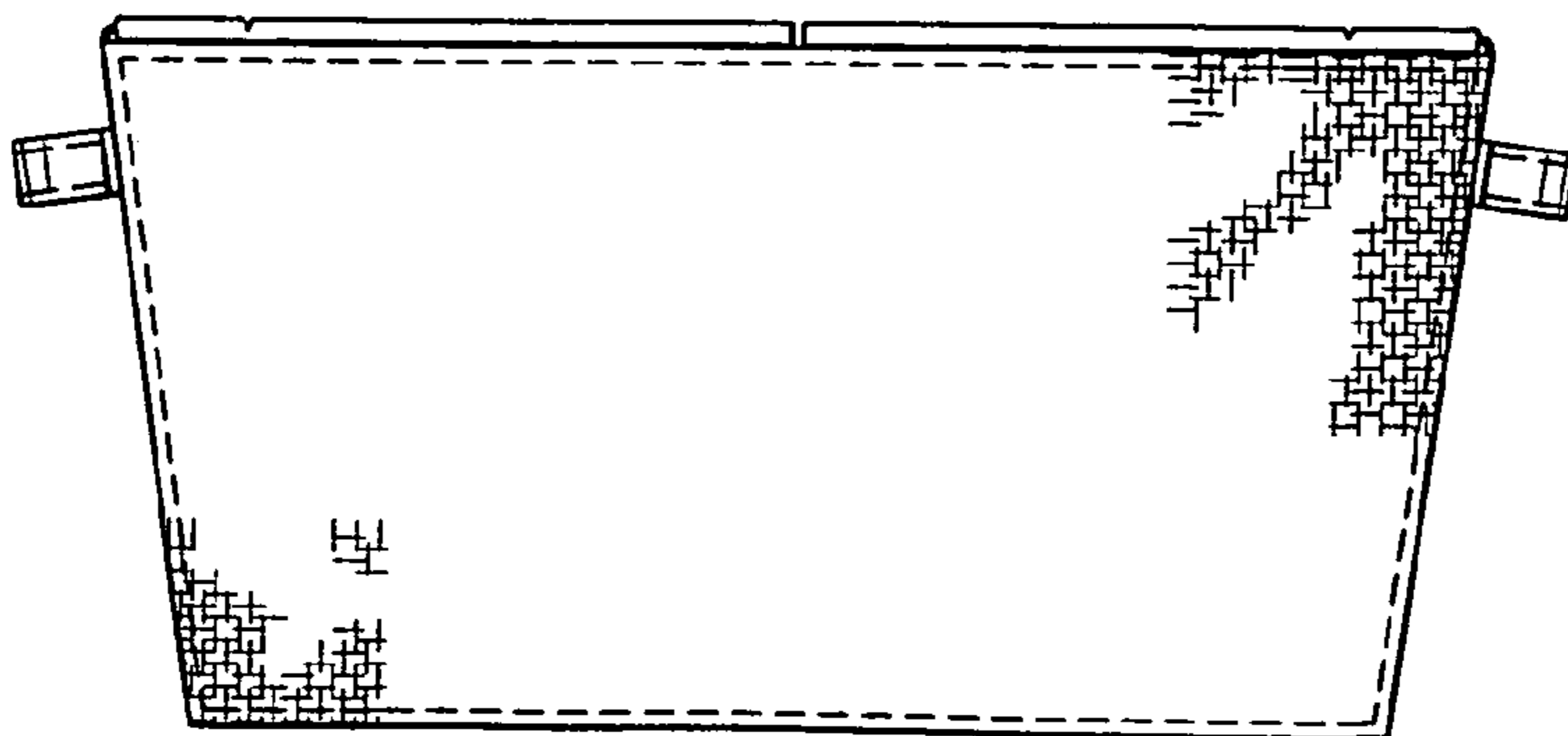


FIG. 3

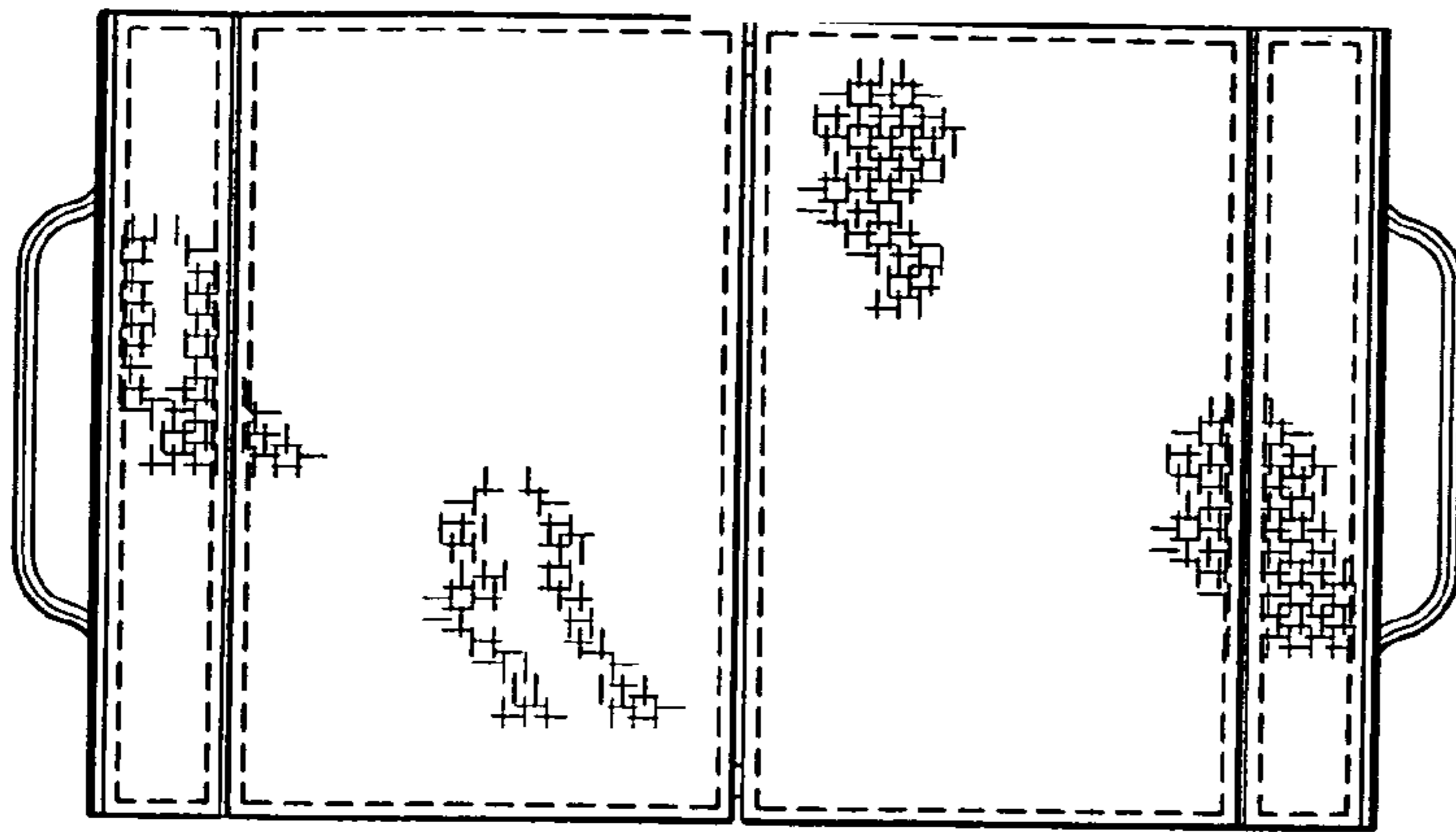


FIG. 4

FIG. 5

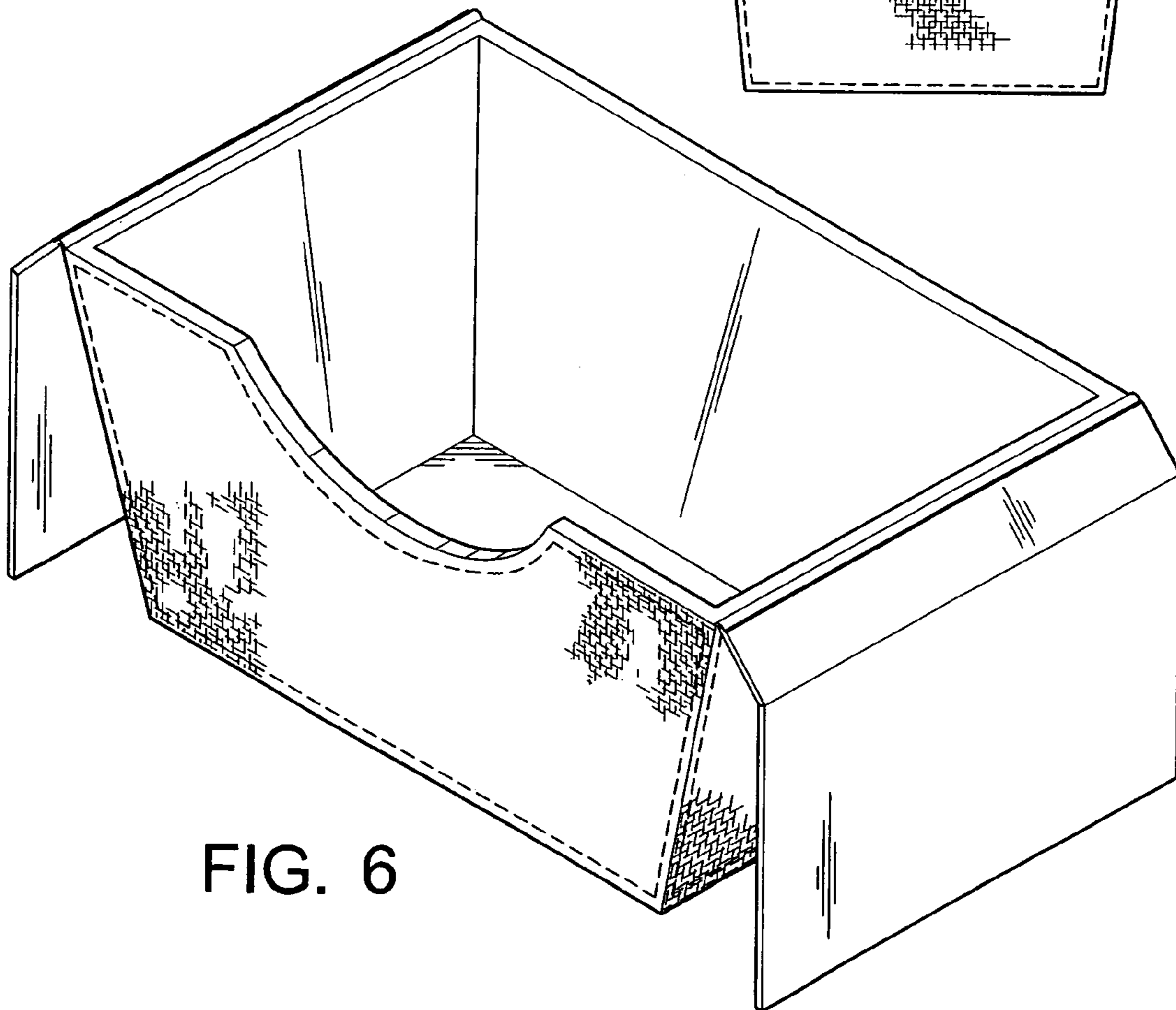
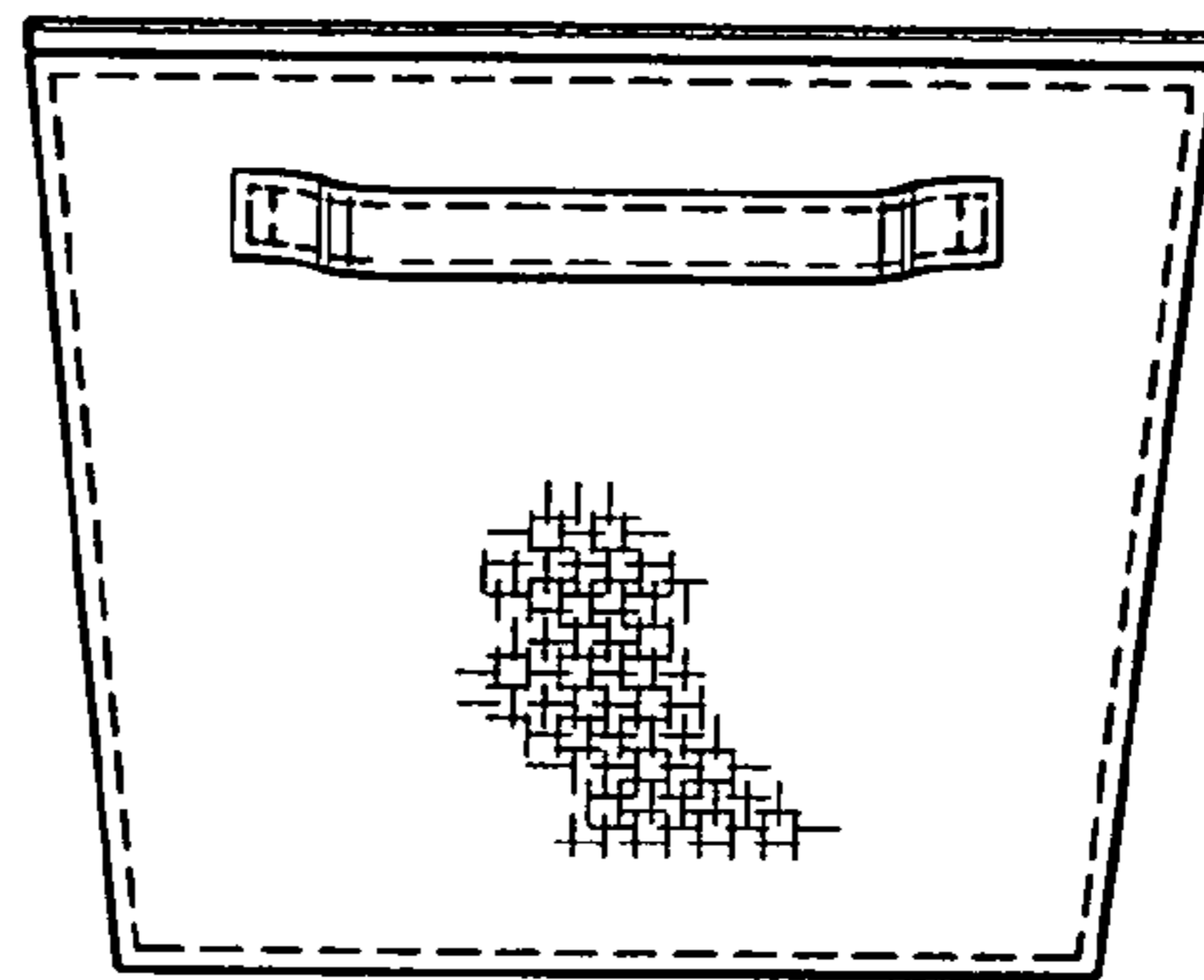


FIG. 6