



US00D551857S

(12) **United States Design Patent**
Gonzalez et al.

(10) **Patent No.:** **US D551,857 S**

(45) **Date of Patent:** **** Oct. 2, 2007**

(54) **TOOL HOLDER**

D505,545 S * 5/2005 Kay D3/228
D507,105 S * 7/2005 Armstrong D3/228

(75) Inventors: **Mario Mata Gonzalez**, Kenosha, WI (US); **Damon Aaron Ahola**, Chicago, IL (US)

* cited by examiner

Primary Examiner—Catherine R. Oliver

(73) Assignee: **Weber-Stephen Products Co.**, Palatine, IL (US)

(74) *Attorney, Agent, or Firm*—David I. Roche; Daniel A. Tallitsch; Baker & McKenzie LLP

(**) Term: **14 Years**

(57) **CLAIM**

(21) Appl. No.: **29/269,085**

The ornamental design for a tool holder, as shown as described above.

(22) Filed: **Nov. 20, 2006**

DESCRIPTION

(51) **LOC (8) Cl.** **03-01**

FIG. 1 is a perspective view showing our new design;

(52) **U.S. Cl.** **D3/228**

FIG. 2 is right side view thereof, the opposite side being a mirror image thereof;

(58) **Field of Classification Search** D3/228,
D3/224–226, 215, 221; 224/268, 901, 904,
224/250, 674; 206/372–373; D8/373; 24/3.6,
24/3.11–3.12

FIG. 3 is a front elevational view thereof;

FIG. 4 is a top view thereof;

See application file for complete search history.

FIG. 5 is a rear elevational view thereof; and,

FIG. 6 is a bottom view thereof.

(56) **References Cited**

The details shown in broken lines form no part of the claimed design.

U.S. PATENT DOCUMENTS

D469,250 S * 1/2003 Armstrong D3/228
D489,175 S * 5/2004 Gaita D3/228

1 Claim, 2 Drawing Sheets

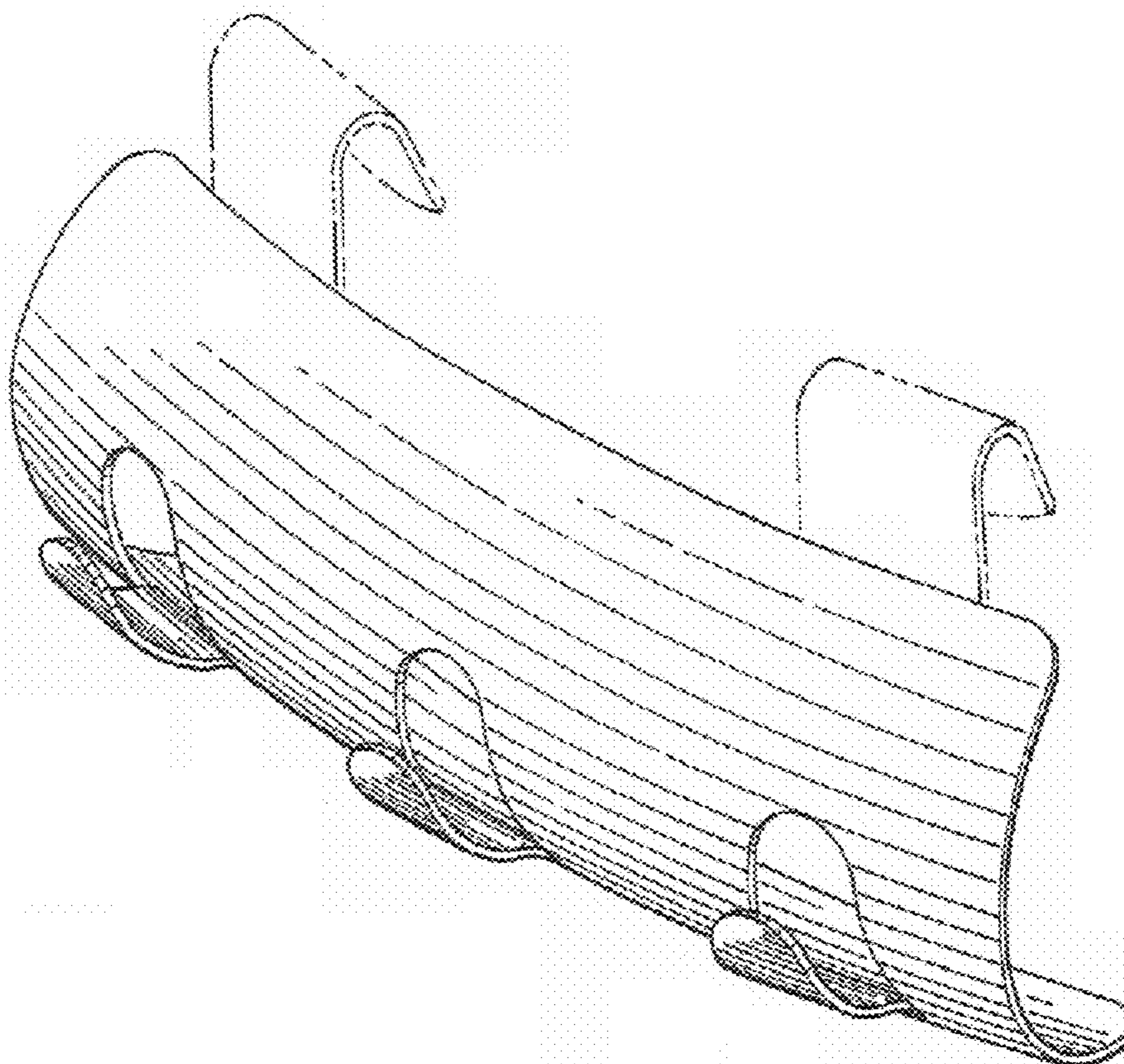


FIG. 1

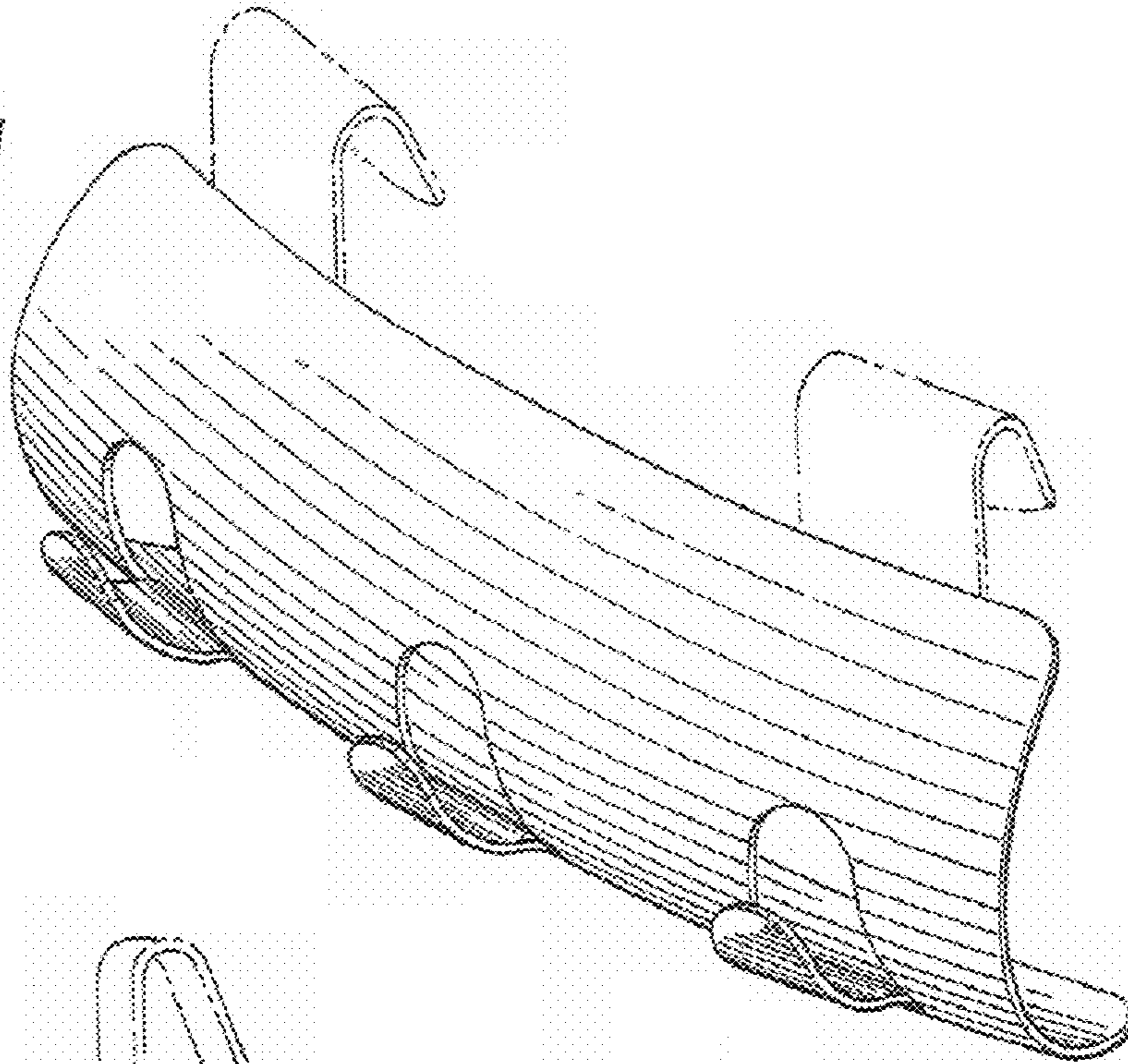


FIG. 2

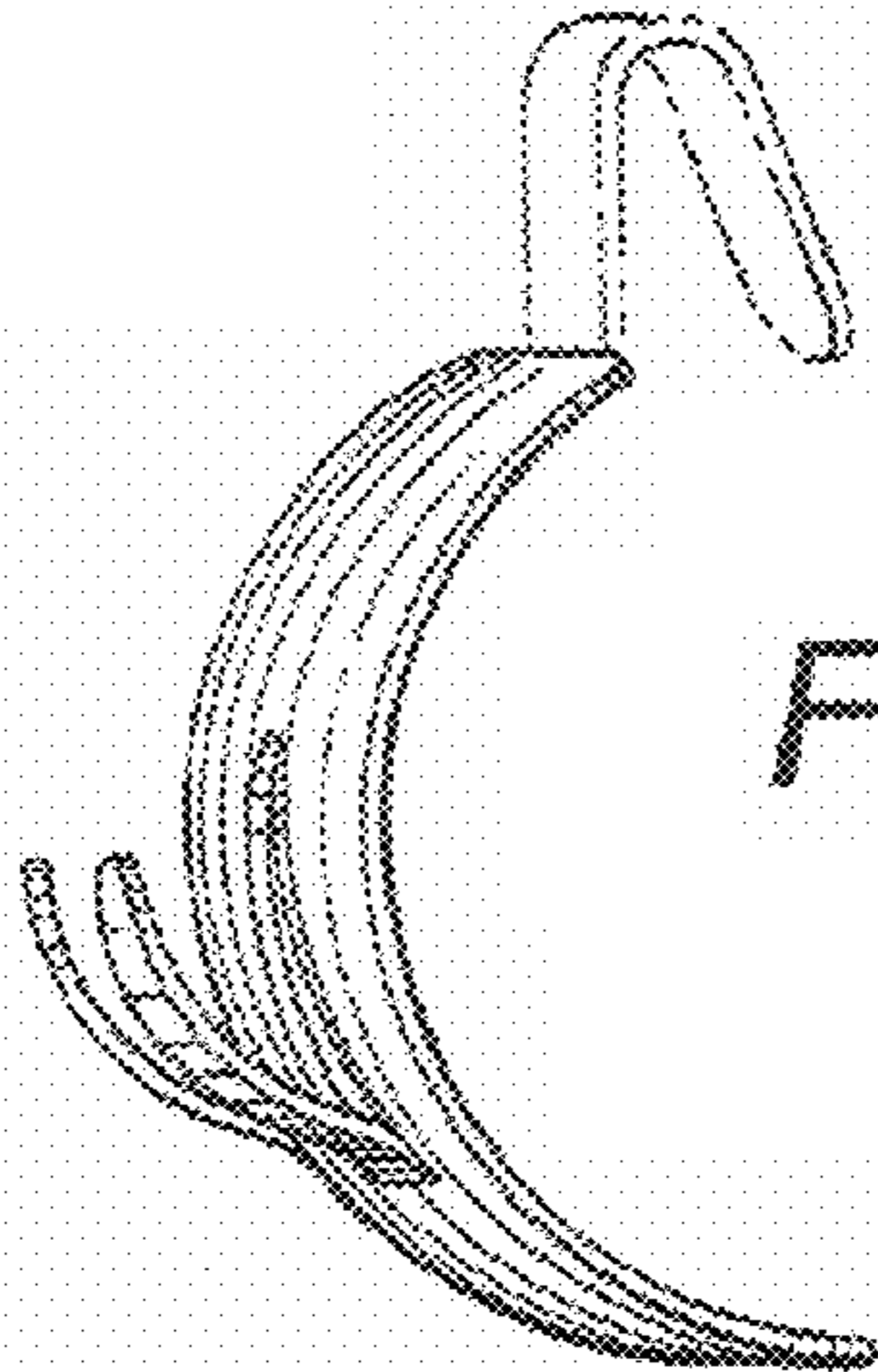


FIG. 3

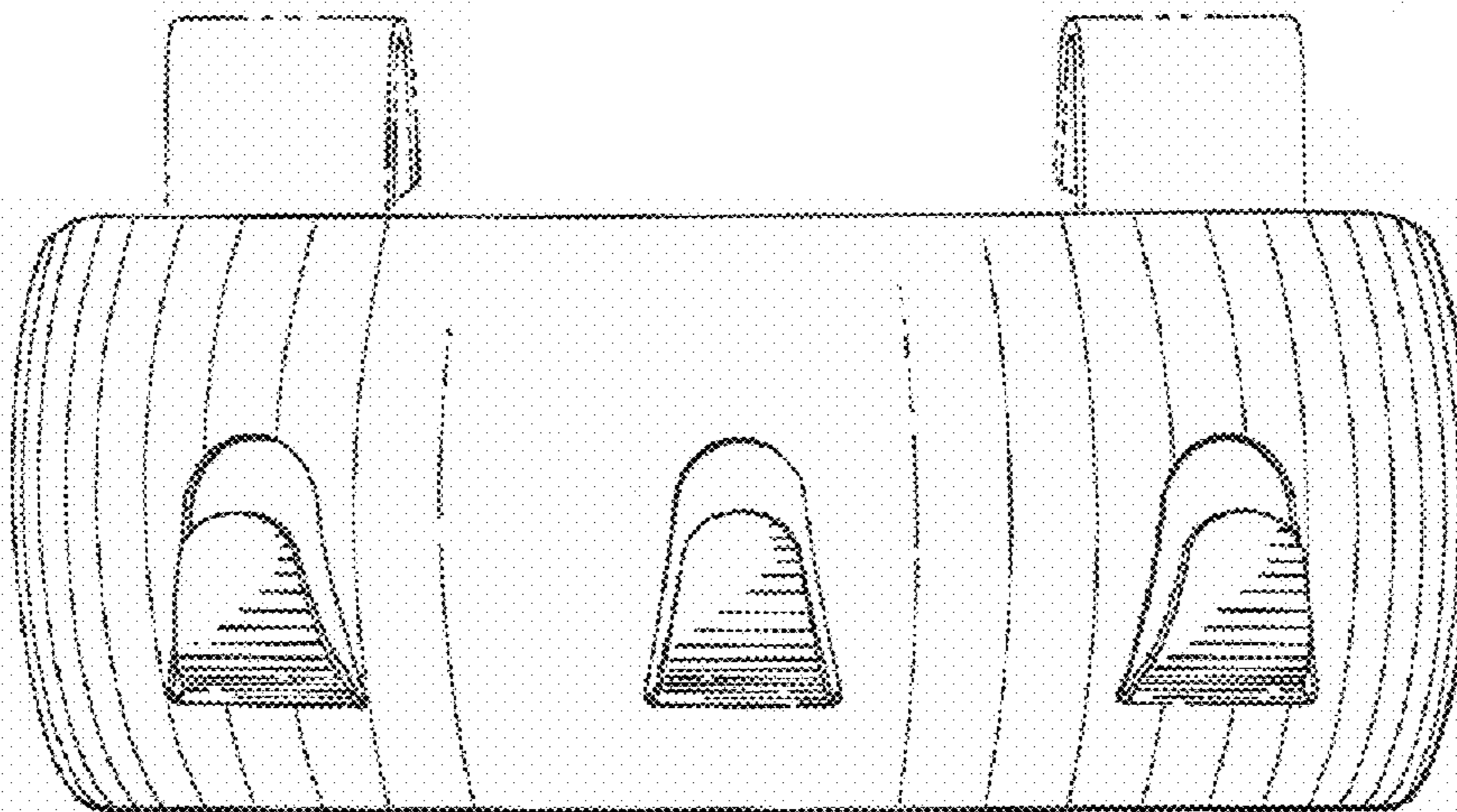


FIG. 4

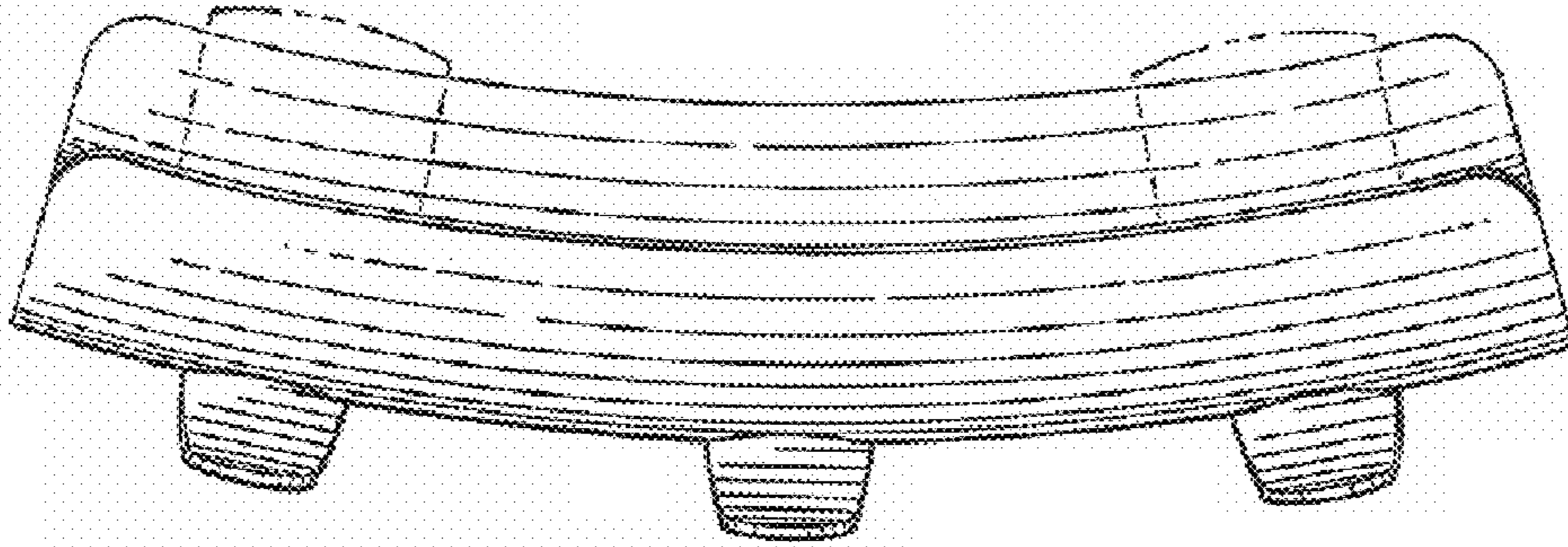


FIG. 5

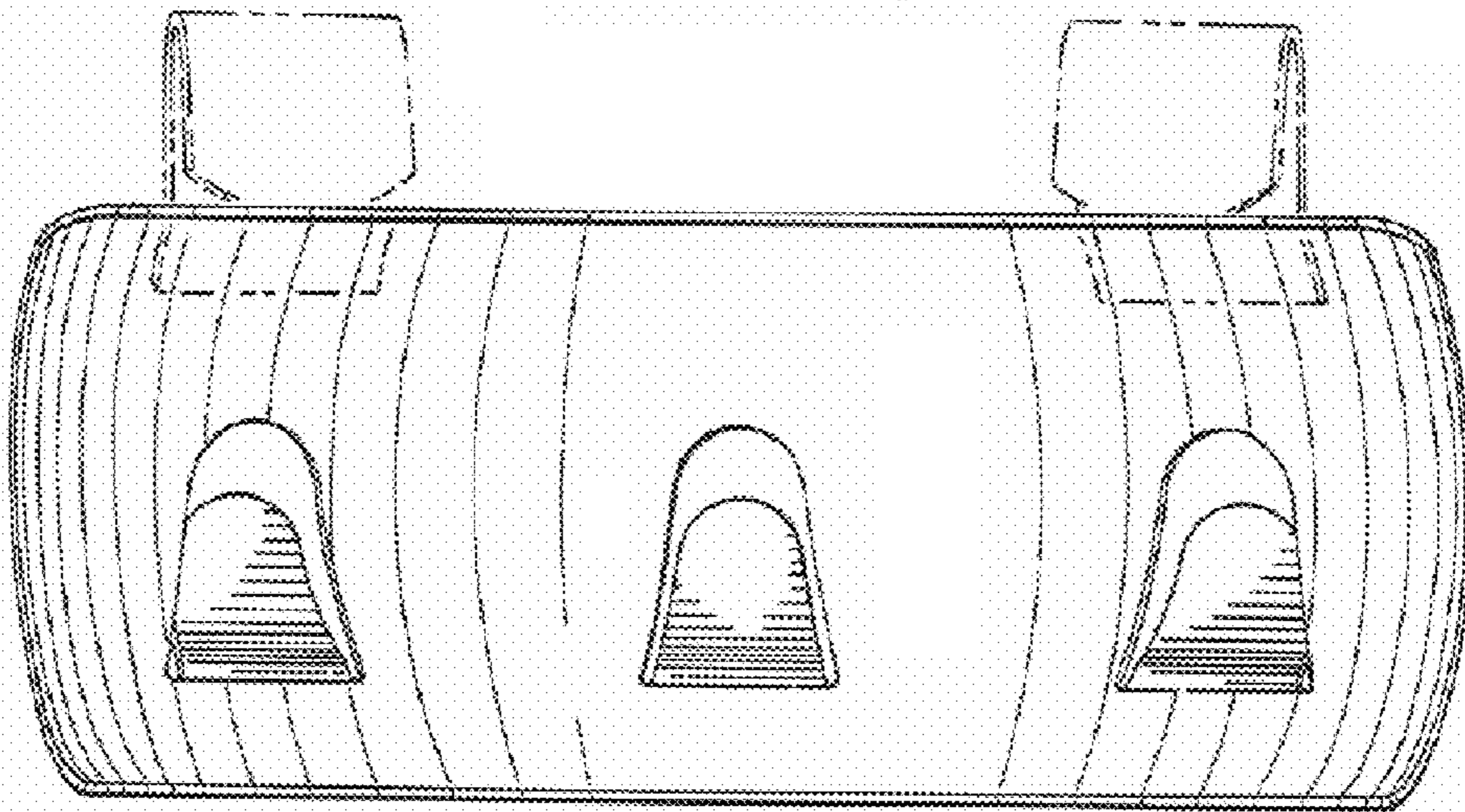


FIG. 6

