



US00D551856S

(12) **United States Design Patent**
Ko et al.

(10) **Patent No.:** **US D551,856 S**

(45) **Date of Patent:** **** Oct. 2, 2007**

(54) **PROTECTIVE APPARATUS**

(75) Inventors: **Hui-An Ko**, Taipei Hsien (TW);
Tzu-Cheng Yu, Santa Clara, CA (US);
Kuan-Hong Hsieh, Taipei Hsien (TW);
Xiao-Guang Li, Shenzhen (CN)

(73) Assignee: **Hon Hai Precision Industry Co., Ltd.**,
Tu-Cheng, Taipei Hsien (TW)

(**) Term: **14 Years**

(21) Appl. No.: **29/275,378**

(22) Filed: **Dec. 22, 2006**

(30) **Foreign Application Priority Data**

Nov. 30, 2006 (CN) 2006 3 02005

(51) **LOC (8) Cl.** **03-01**

(52) **U.S. Cl.** **D3/218; D3/201**

(58) **Field of Classification Search** D3/218,
D3/215, 219, 230, 299, 201, 224-228; 208/305,
208/320; 379/419-420, 454-455; 465/90,
465/515-550; D14/140-142

See application file for complete search history.

(56) **References Cited**

U.S. PATENT DOCUMENTS

D518,290 S * 4/2006 Andre et al. D3/218

D526,780 S * 8/2006 Richardson et al. D3/273

D530,079 S * 10/2006 Thomas et al. D3/218

D540,539 S * 4/2007 Gutierrez D3/269

* cited by examiner

Primary Examiner—Catherine R. Oliver

(74) *Attorney, Agent, or Firm*—Wei Te Chung

(57) **CLAIM**

The ornamental design for a protective apparatus, as shown and described.

DESCRIPTION

FIG. 1 is a perspective view of the design for a protective apparatus;

FIG. 2 is a front elevational view thereof;

FIG. 3 is a rear elevational view thereof;

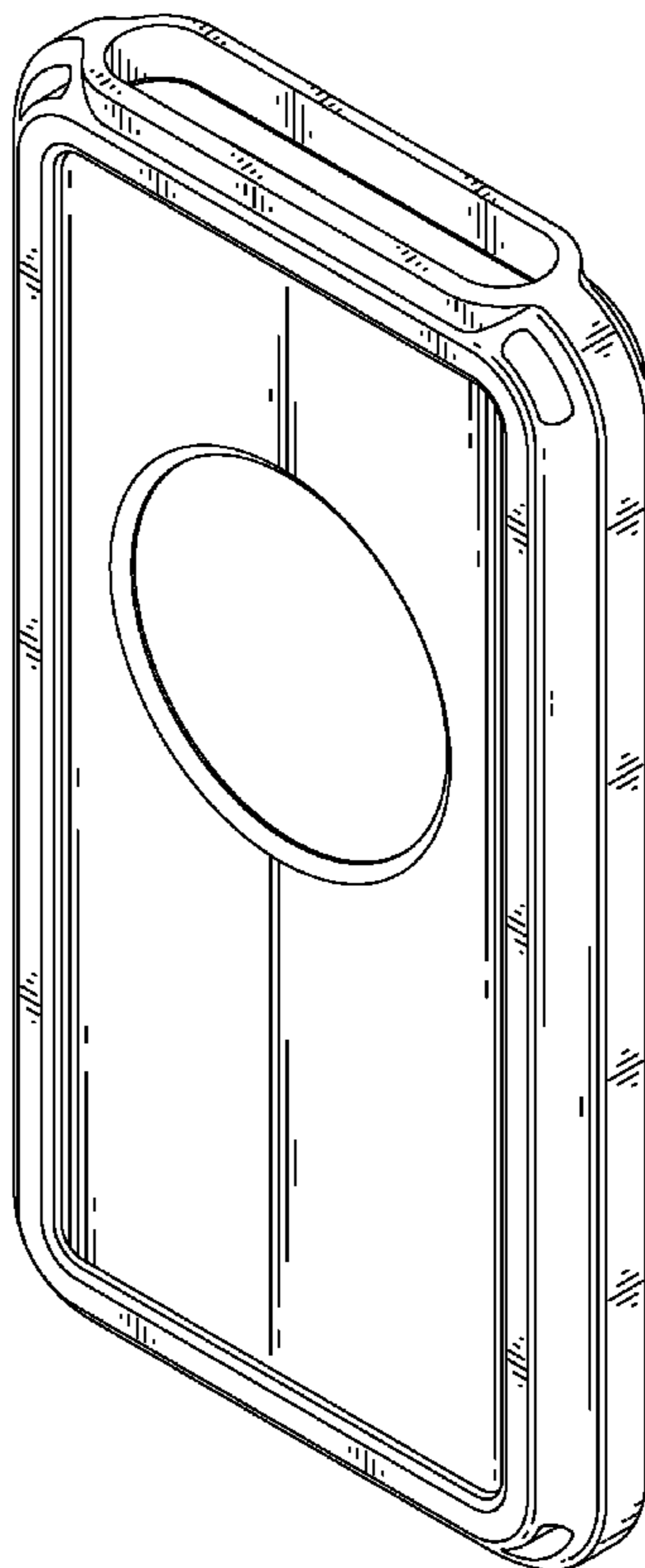
FIG. 4 is a left side elevational view thereof;

FIG. 5 is a right side elevational view thereof;

FIG. 6 is a top plan view thereof; and,

FIG. 7 is a bottom plan view thereof.

1 Claim, 7 Drawing Sheets



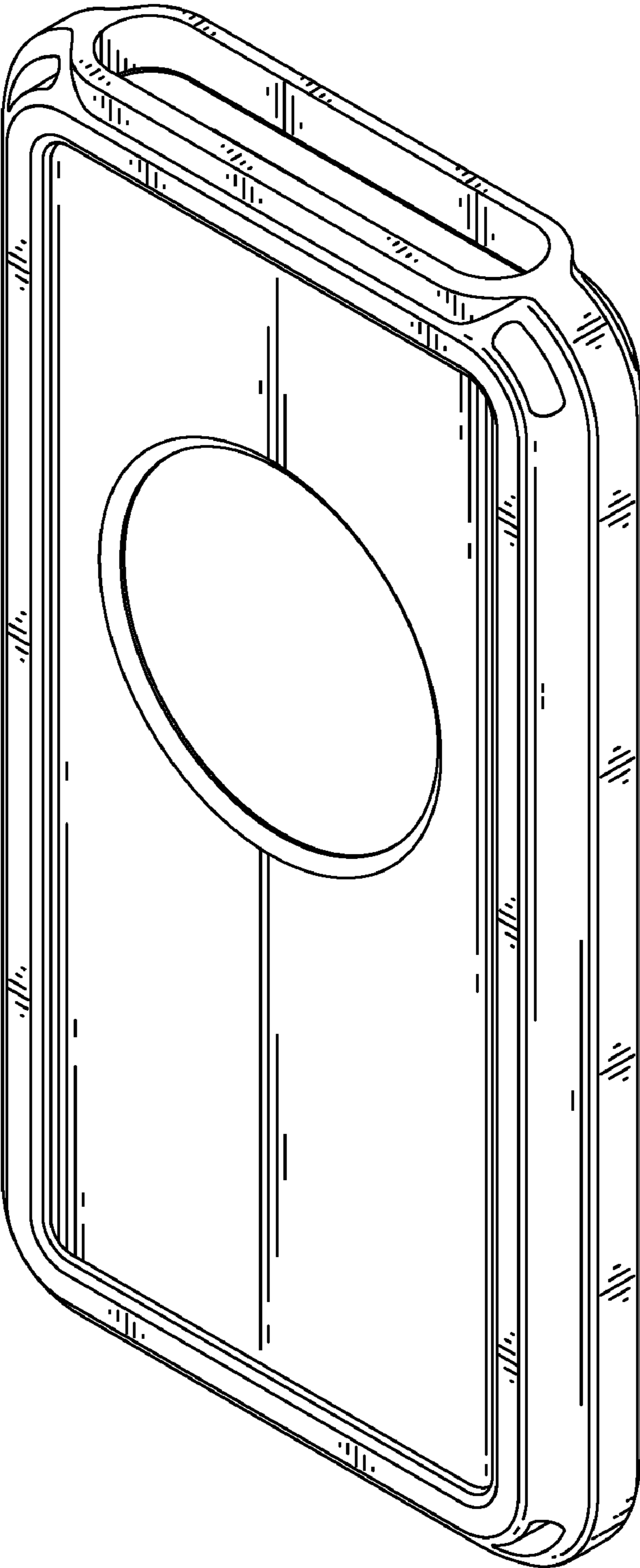


FIG. 1

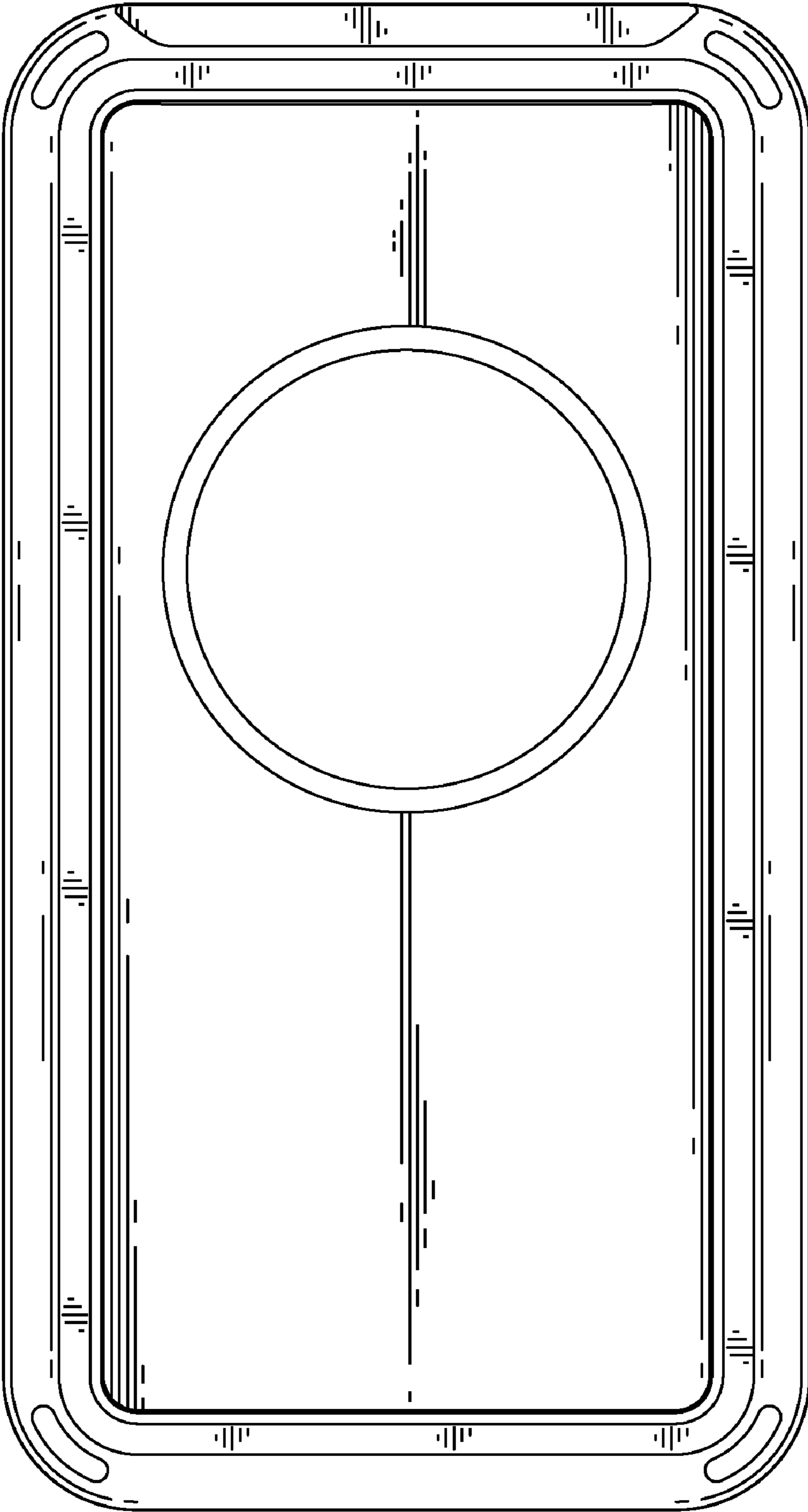


FIG. 2

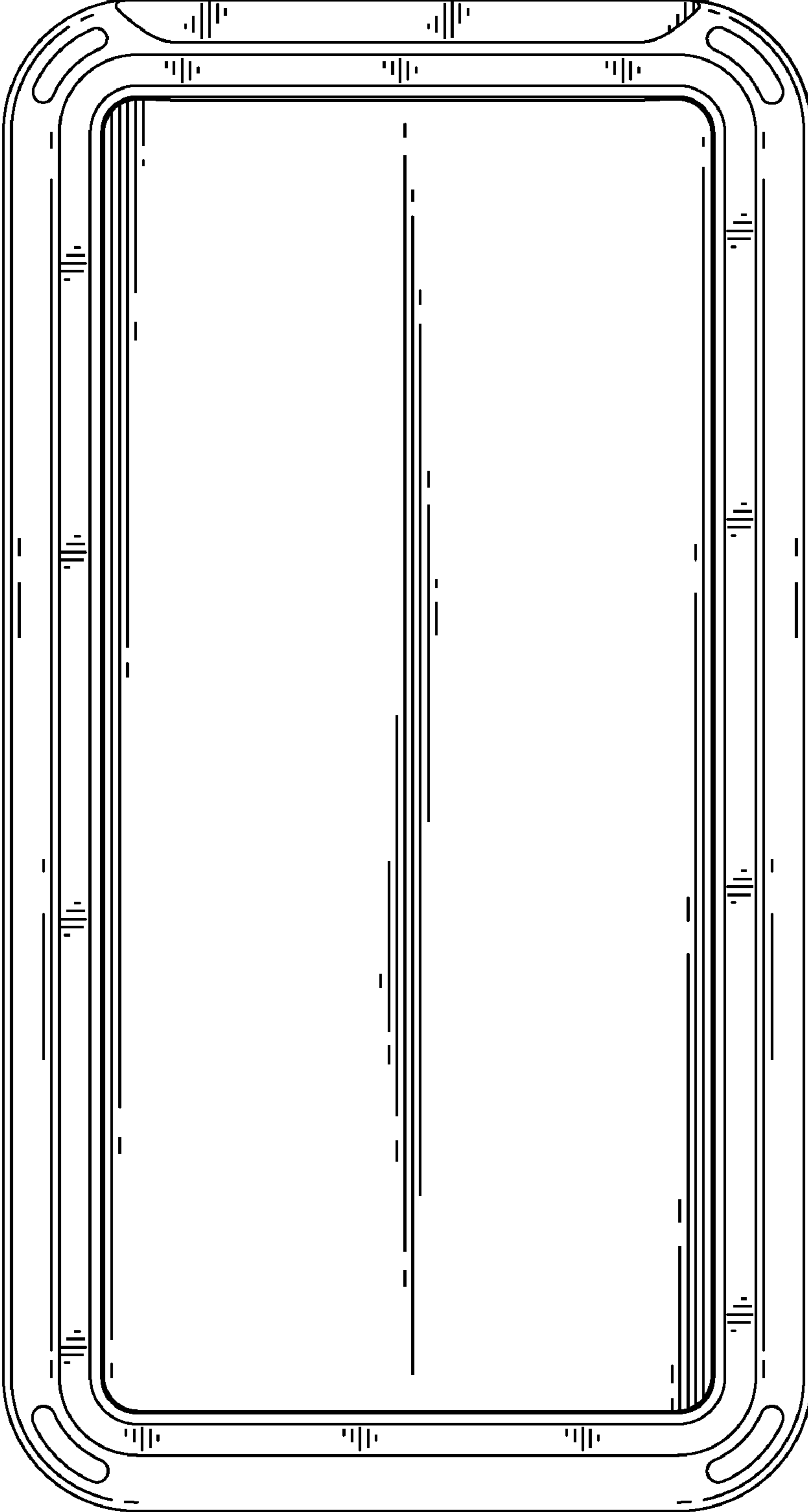


FIG. 3

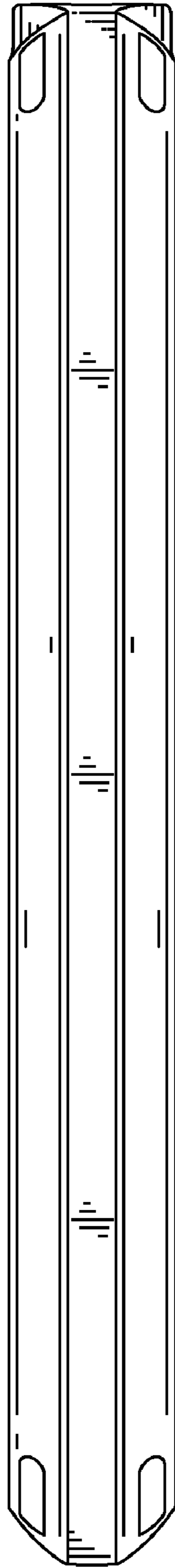


FIG. 4

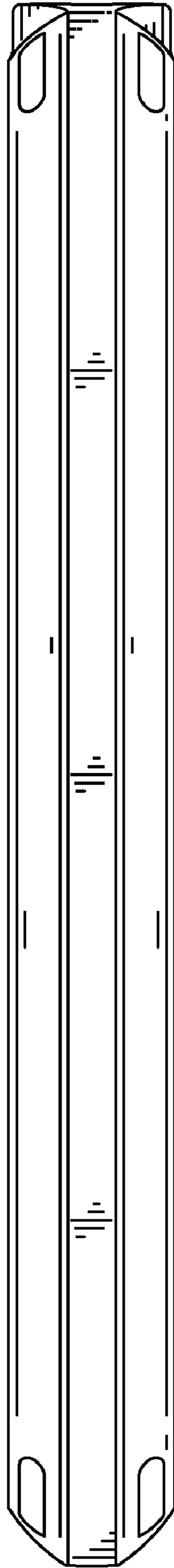


FIG. 5



FIG. 6

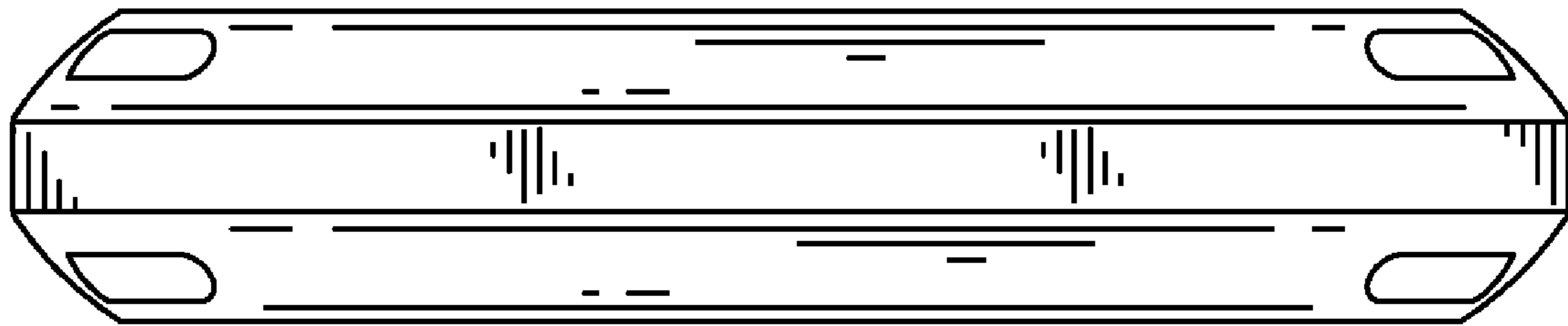


FIG. 7