



US00D551855S

(12) **United States Design Patent**
Yeh et al.

(10) **Patent No.:** **US D551,855 S**
(45) **Date of Patent:** **** Oct. 2, 2007**

(54) **SHIELD FOR PORTABLE ELECTRONIC DEVICES**

D533,994 S * 12/2006 Hussaini et al. D3/218
D541,042 S * 4/2007 Andre et al. D3/218

(75) Inventors: **Guo-Liang Yeh**, Shindian (TW);
Tzu-Cheng Yu, Shindian (TW);
Hsun-Chen Chu, Shindian (TW)

* cited by examiner

Primary Examiner—Catherine R. Oliver

(74) *Attorney, Agent, or Firm*—Jeffrey T. Knapp

(73) Assignee: **Sutech Trading Limited**, Tortola (VG)

(57) **CLAIM**

(**) Term: **14 Years**

The ornamental design for a shield for portable electronic devices, as shown and described.

(21) Appl. No.: **29/268,344**

(22) Filed: **Nov. 3, 2006**

(30) **Foreign Application Priority Data**

Aug. 18, 2006 (CN) 2006 3 0018198

(51) **LOC (8) Cl.** **03-01**

(52) **U.S. Cl.** **D3/218**

(58) **Field of Classification Search** D3/218,
D3/215, 219, 230, 299, 201, 224–228; 208/305,
208/320; 379/419–420, 454–455; 455/90,
455/515–550; D14/140–142

See application file for complete search history.

(56) **References Cited**

U.S. PATENT DOCUMENTS

D519,731 S * 5/2006 Andre et al. D3/218

D521,232 S * 5/2006 Andre et al. D3/218

DESCRIPTION

FIG. 1 is a perspective view of a shield for portable electronic devices showing our new design;

FIG. 2 is a front elevational view thereof;

FIG. 3 is a rear elevational view thereof;

FIG. 4 is a left side elevational view thereof;

FIG. 5 is a right side elevational view thereof;

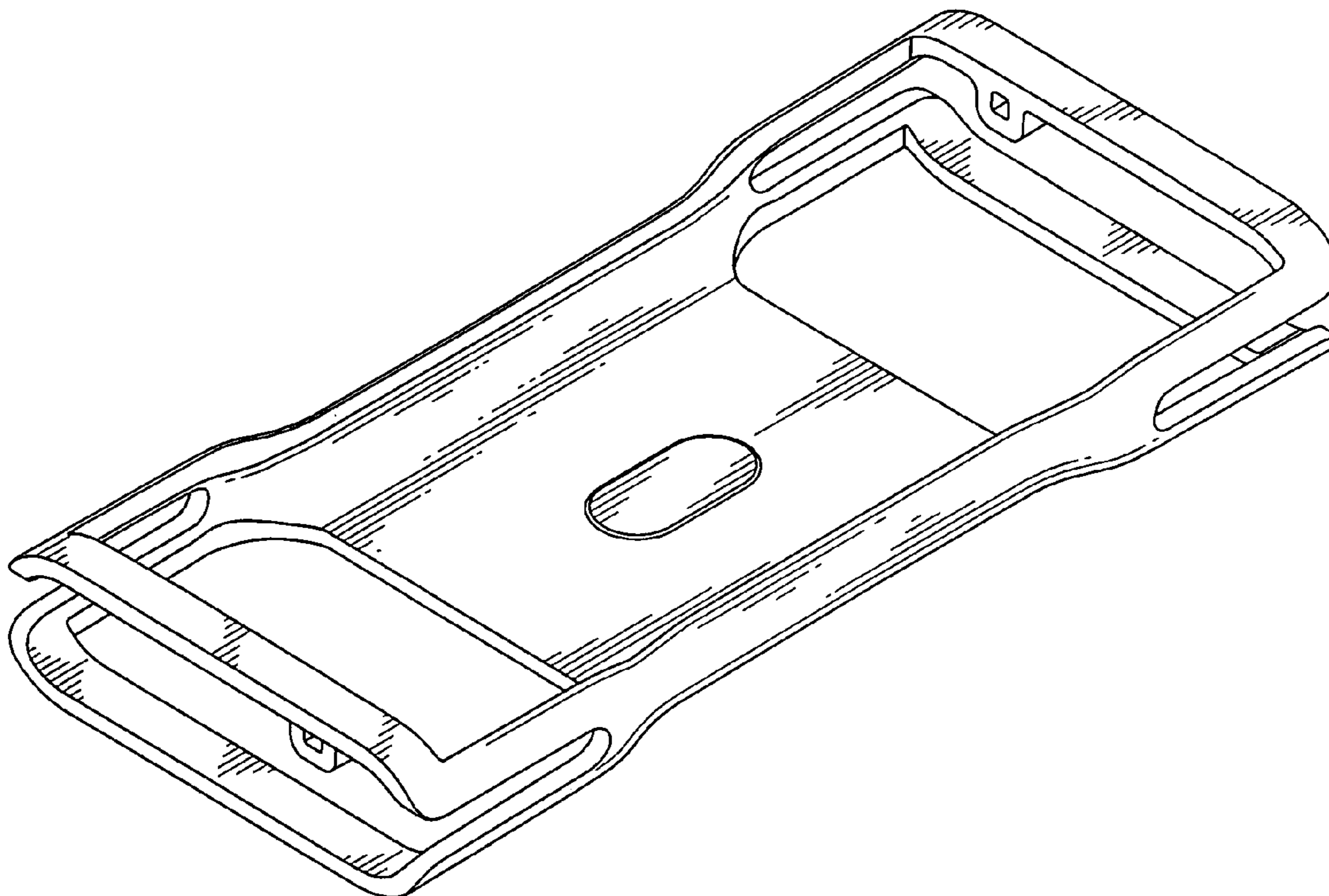
FIG. 6 is a top plan view thereof;

FIG. 7 is a bottom plan view thereof; and,

FIG. 8 is a schematic view of using the shield for portable electronic devices thereof.

The broken line showing of environment in the drawings is included for the purpose of illustrating only and forms no part of the claimed design.

1 Claim, 6 Drawing Sheets



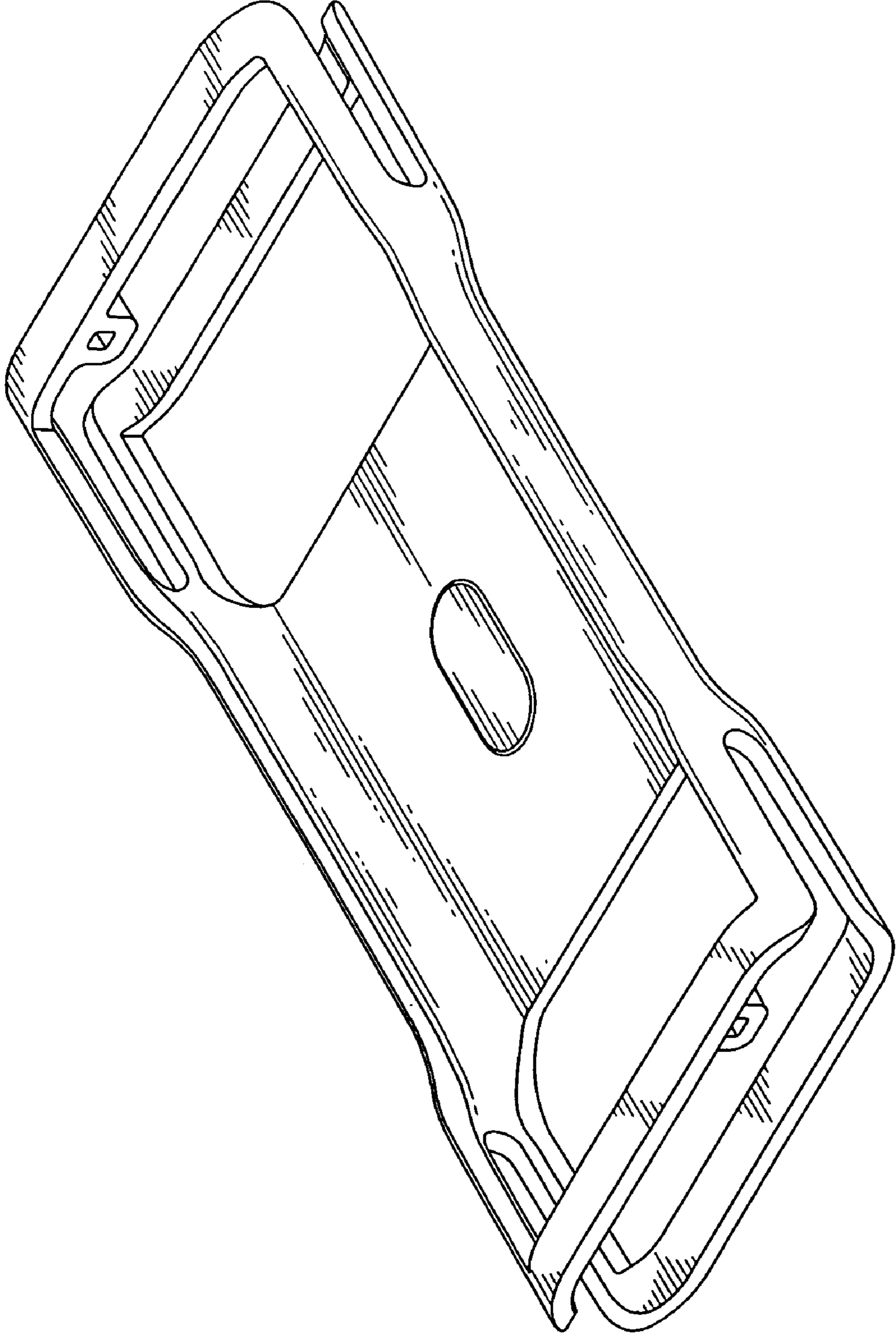


FIG. 1

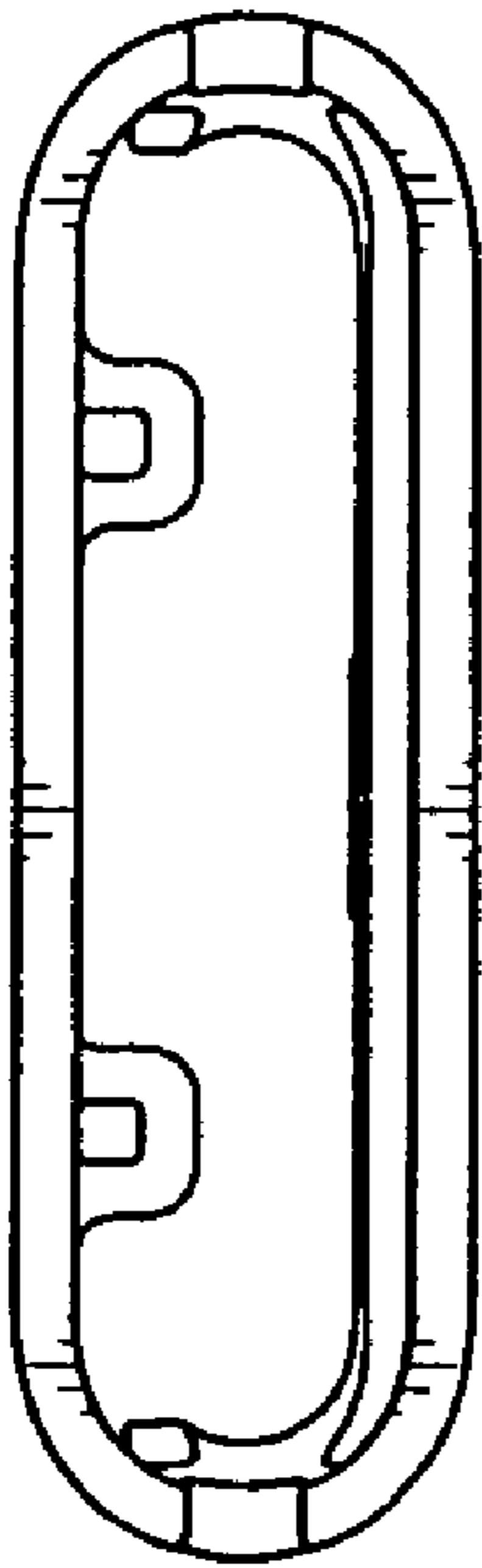


FIG. 2



FIG. 3



FIG. 4

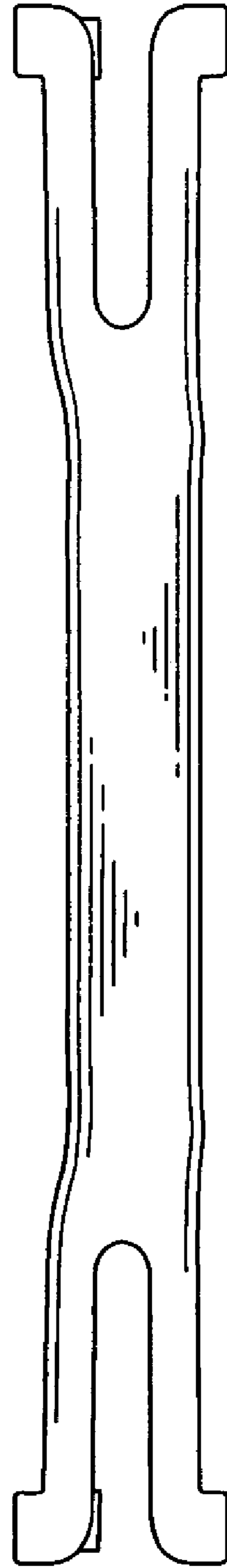


FIG. 5

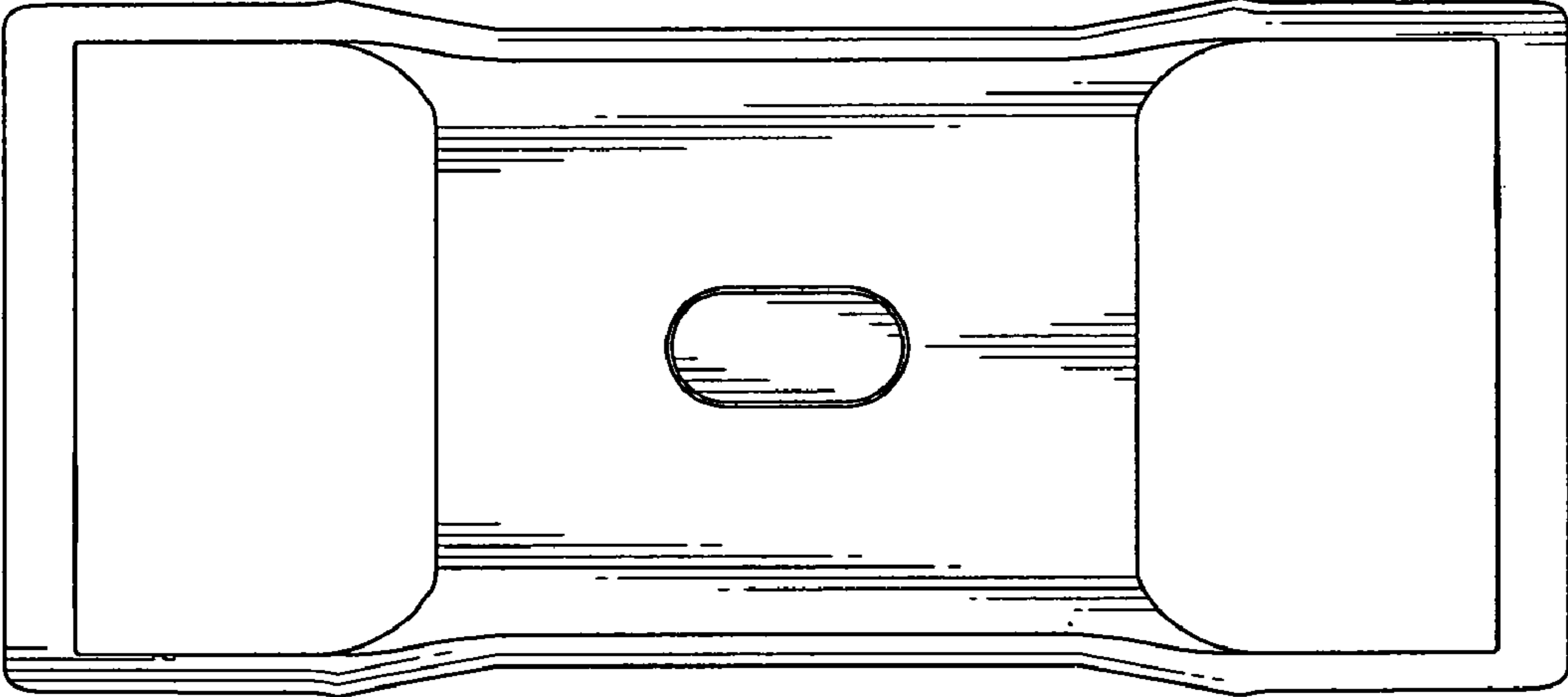


FIG. 6

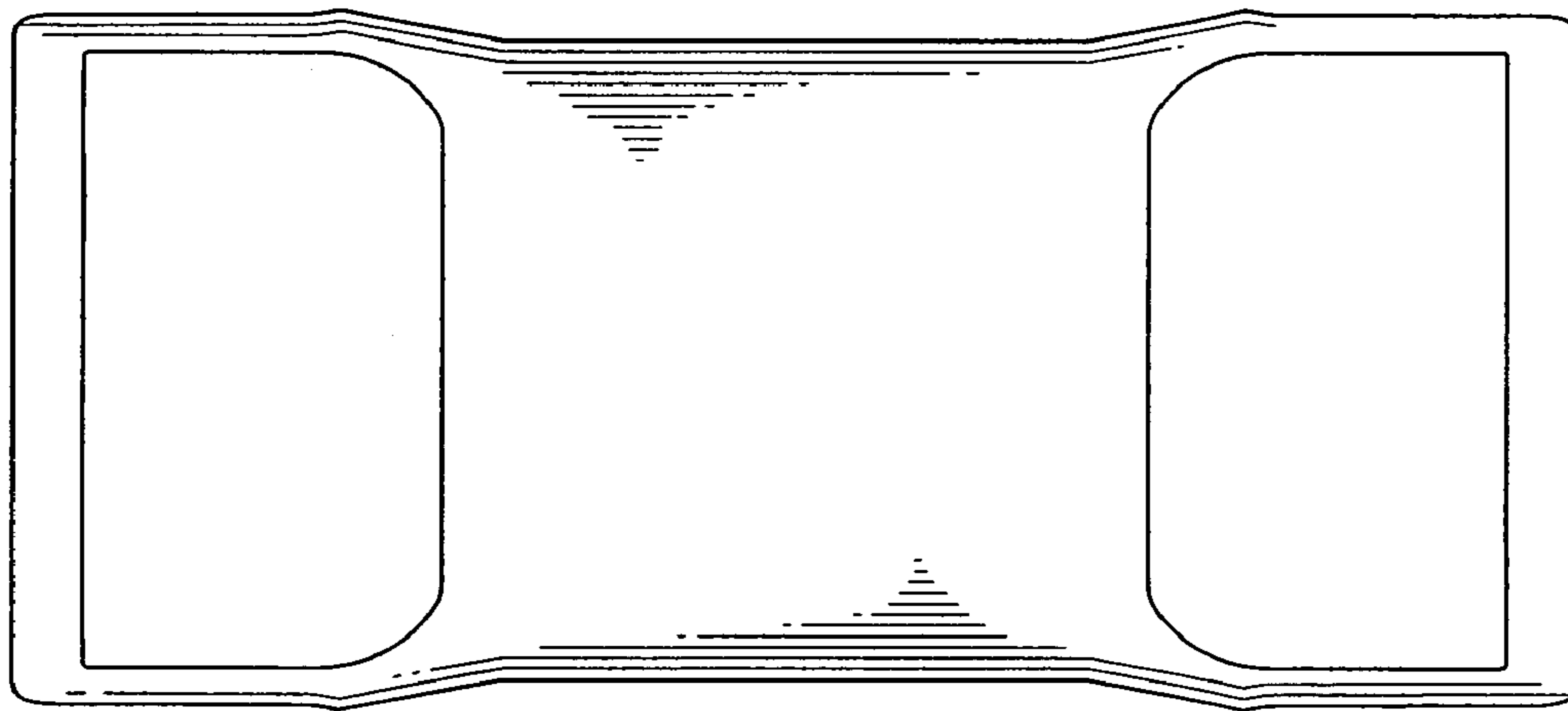


FIG. 7

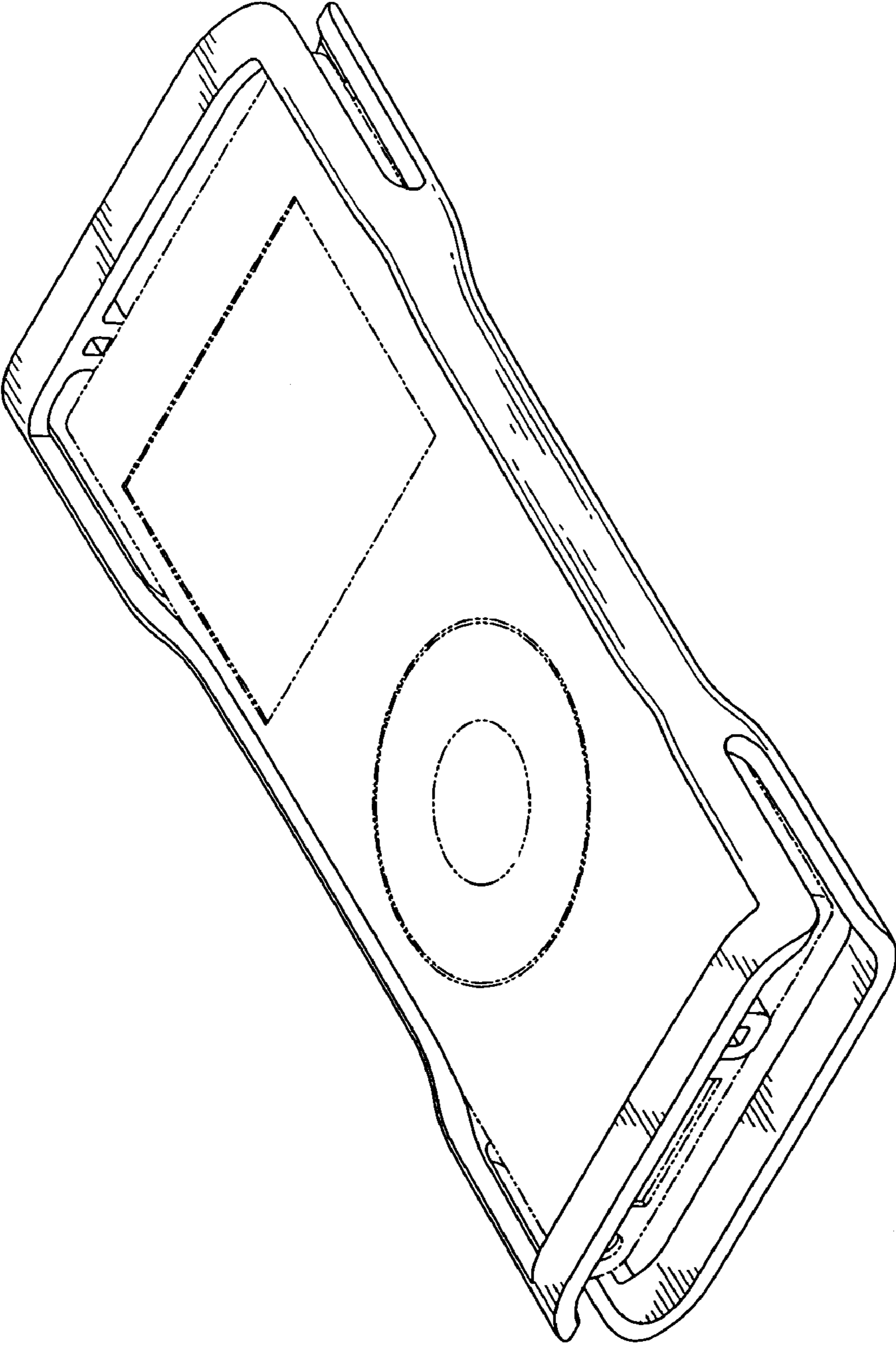


FIG. 8