



US00D551850S

(12) **United States Design Patent**
Hagman

(10) **Patent No.:** **US D551,850 S**

(45) **Date of Patent:** **** Oct. 2, 2007**

(54) **HANGING JEWELRY WITH MARKING COIN FOR GOLF**

Primary Examiner—Ralf Seifert
(74) *Attorney, Agent, or Firm*—Rolf Fasth; Fasth Law Offices

(76) **Inventor:** **Gert Hagman**, Klintbergsvagen 3, 590 95 Loftahammar (SE)

(**) **Term:** **14 Years**

(57) **CLAIM**

(21) **Appl. No.:** **29/235,380**

The ornamental design for a hanging jewelry with marking coin for golf, as shown and described.

(22) **Filed:** **Aug. 1, 2005**

(30) **Foreign Application Priority Data**

DESCRIPTION

Feb. 14, 2005 (SE) 05-0123

(51) **LOC (8) Cl.** **03-01**

(52) **U.S. Cl.** **D3/208**

(58) **Field of Classification Search** D3/207–212; 206/37.1, 38.1; 150/147; 70/456 R, 456 B, 70/458–459; 24/3 K, 3.6, 100; D11/44, D11/48; D21/793–794; 473/285, 406
See application file for complete search history.

FIG. 1 is a perspective view of the hanging jewelry with marking coin for golf of the present invention;

FIG. 2 is an elevational top view of the hanging jewelry with marking coin for golf shown in FIG. 1;

FIG. 3 is an elevational front view of the hanging jewelry with marking coin for golf shown in FIG. 1;

FIG. 4 is an elevational rear view of the hanging jewelry with marking coin for golf shown in FIG. 1;

FIG. 5 is a left side view of the hanging jewelry with marking coin for golf shown in FIG. 1;

FIG. 6 is a right side view of the hanging jewelry with marking coin for golf shown in FIG. 1; and,

FIG. 7 is an elevational bottom view of the hanging jewelry with marking coin for golf shown in FIG. 1.

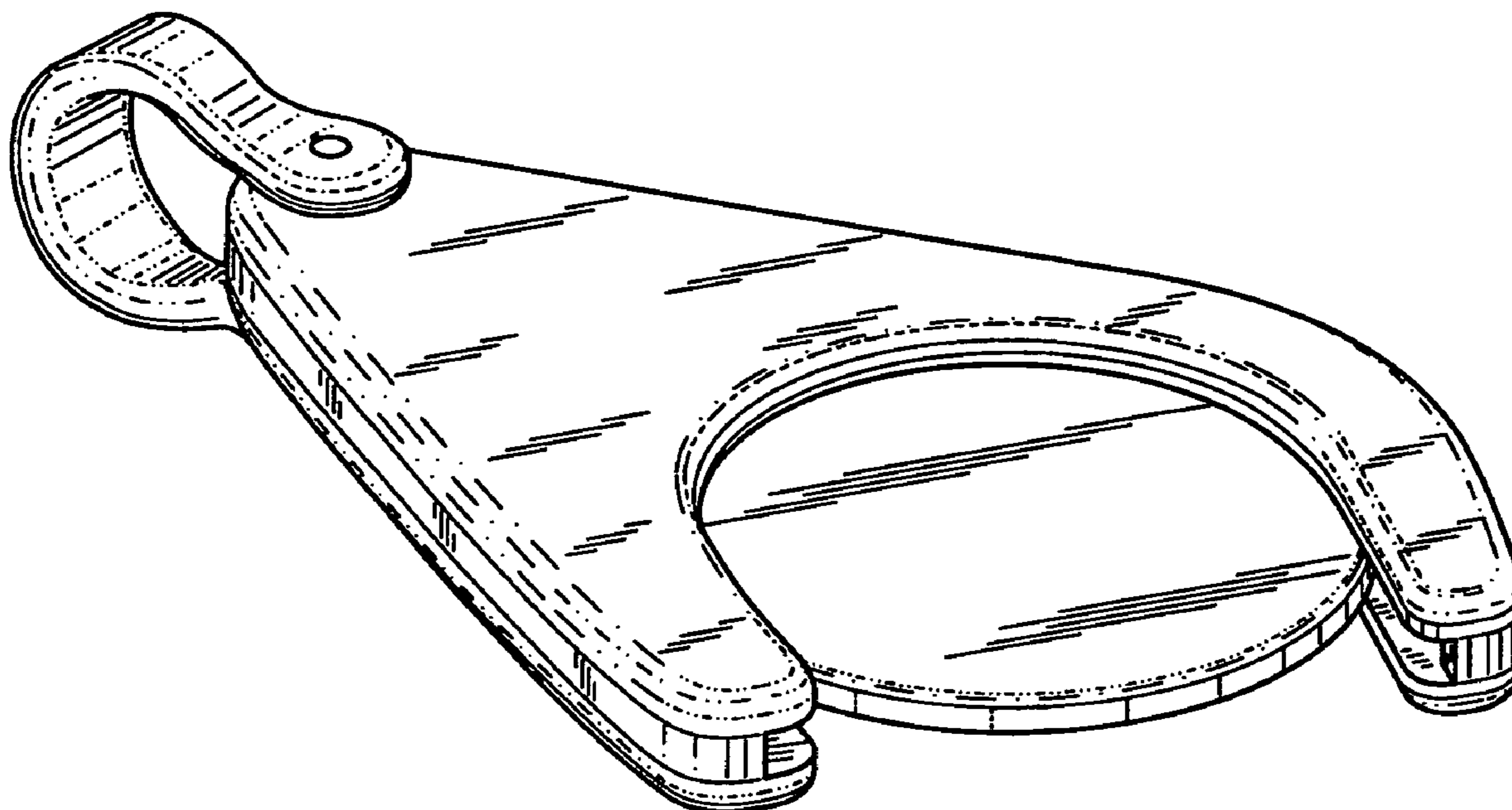
(56) **References Cited**

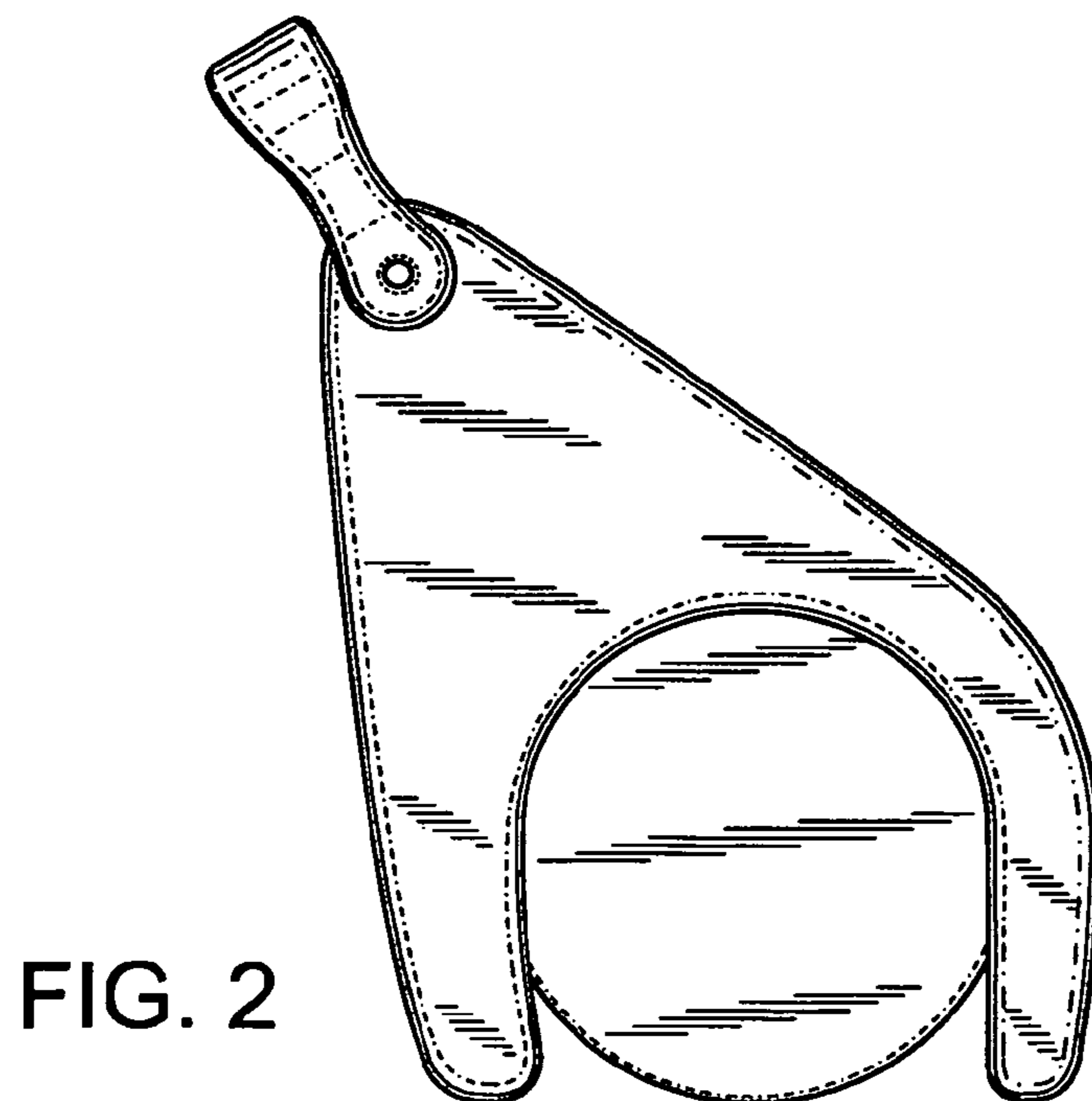
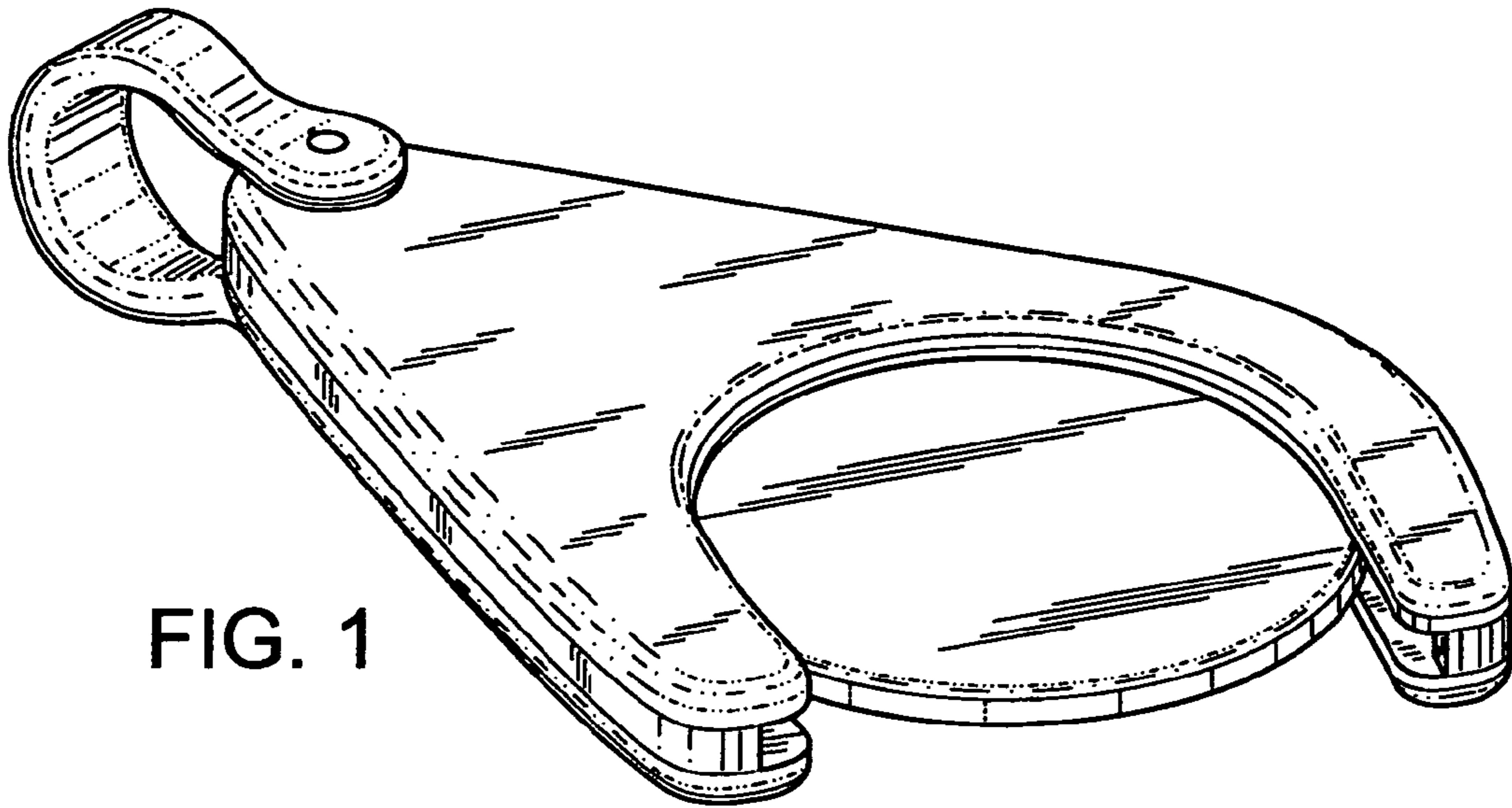
U.S. PATENT DOCUMENTS

- D349,399 S * 8/1994 Di Paolo et al. D3/208
- D403,814 S * 1/1999 Stanford D32/42
- 6,009,590 A * 1/2000 Stanford 15/236.07
- D439,736 S * 4/2001 Krebs et al. D3/208
- D444,685 S * 7/2001 Shenkel et al. D8/18

* cited by examiner

1 Claim, 3 Drawing Sheets





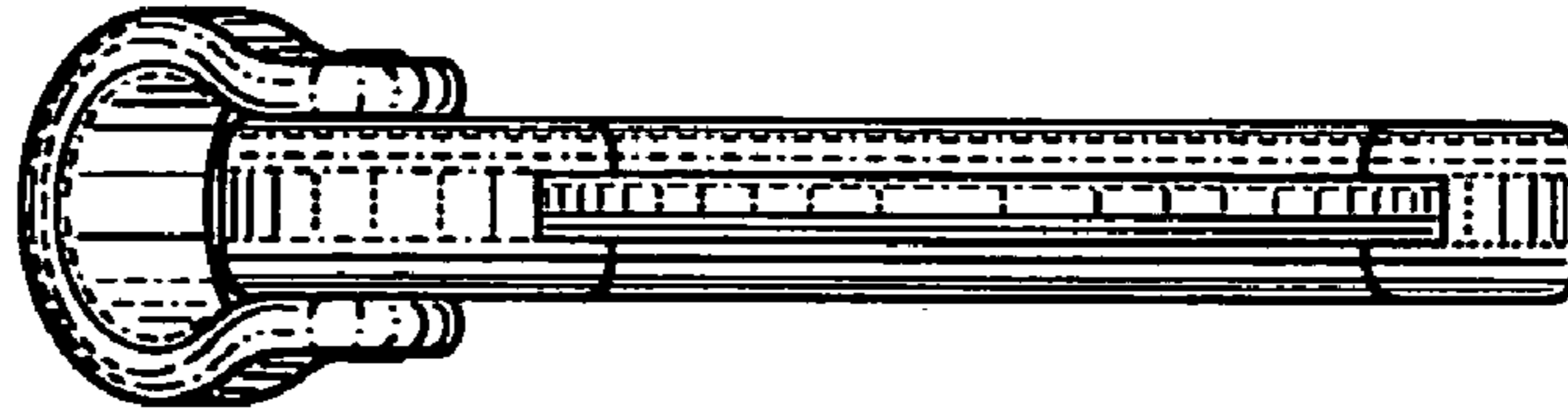


FIG. 3

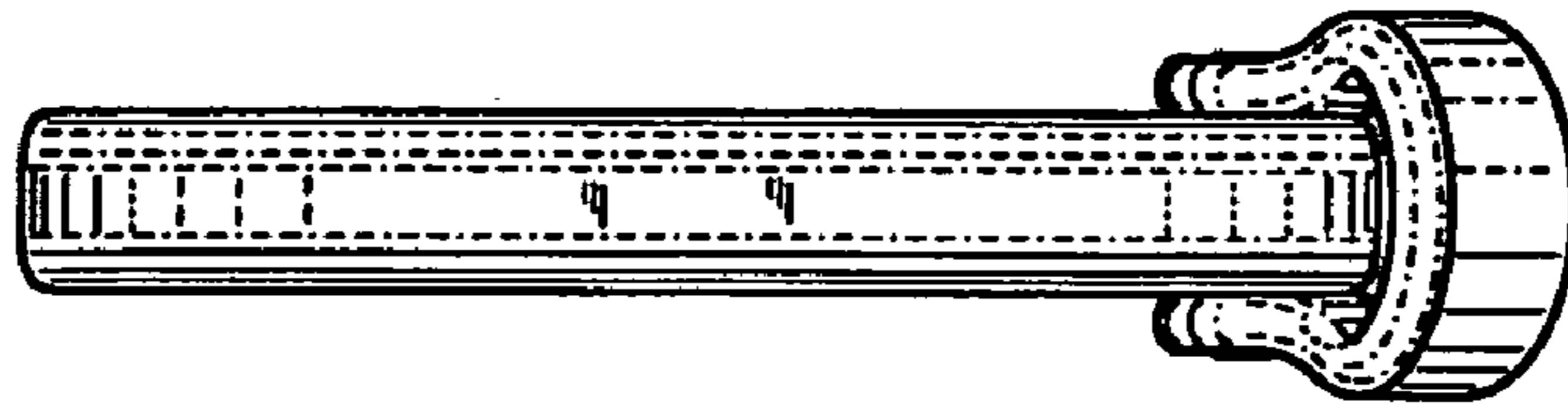


FIG. 4

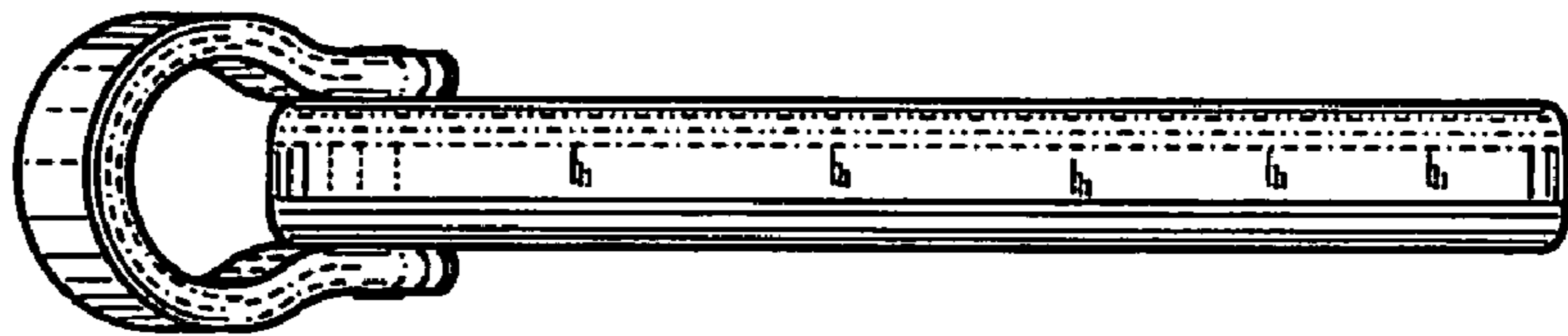


FIG. 5

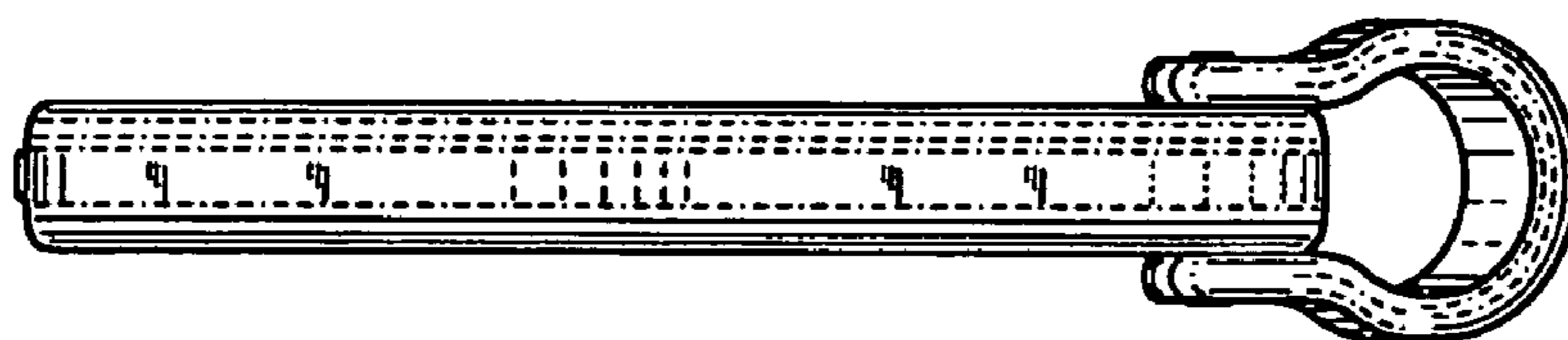


FIG. 6

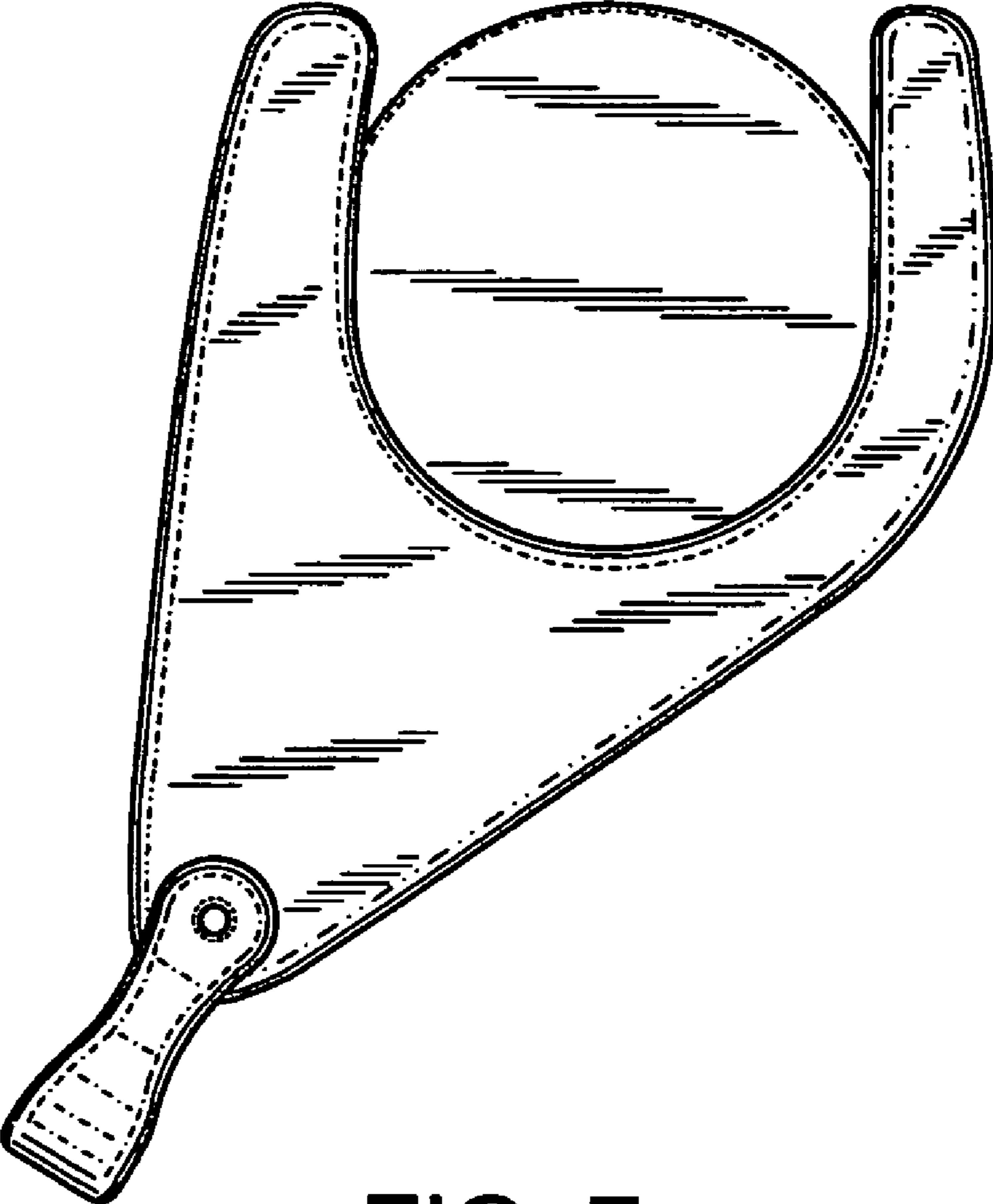


FIG. 7