



US00D551847S

(12) **United States Design Patent**
Yeap et al.

(10) **Patent No.:** **US D551,847 S**
(45) **Date of Patent:** **** Oct. 2, 2007**

(54) **INSTRUMENT CASE**

(75) Inventors: **Boon Leong Yeap**, Penang (MY);
Shiew Foe Foo, Penang (MY); **Chee Beng Lim**, Penang (MY); **Eng Su Tay**, Penang (MY); **Aik Khong Ooi**, Penang (MY)

(73) Assignee: **Agilent Technologies, Inc.**, Palo Alto, CA (US)

(**) Term: **14 Years**

(21) Appl. No.: **29/256,075**

(22) Filed: **Mar. 15, 2006**

(51) **LOC (8) Cl.** **03-01**

(52) **U.S. Cl.** **D3/201; D3/218**

(58) **Field of Classification Search** D3/201, D3/218, 215, 219, 225-226, 294, 273-276; 208/305, 320, 328; 455/90, 100; 379/455; D6/407, 631-634; 224/901, 904, 240, 236, 224/682-683, 600, 250

See application file for complete search history.

(56) **References Cited**

U.S. PATENT DOCUMENTS

D457,374 S	*	5/2002	Lee	D3/201
D530,079 S	*	10/2006	Thomas et al.	D3/218
D539,530 S	*	4/2007	Sanderson et al.	D3/218
D540,539 S	*	4/2007	Gutierrez	D3/269

* cited by examiner

Primary Examiner—Catherine R. Oliver
(74) *Attorney, Agent, or Firm*—Marc Bobys

(57) **CLAIM**

The ornamental design for an instrument case, as shown and described.

DESCRIPTION

FIG. 1 is a top, right side perspective view of an instrument case showing our new design;

FIG. 2 is a top plan view thereof;

FIG. 3 is a right side elevational view thereof, with left side elevational view being an identical mirror image thereof;

FIG. 4 is a front elevational view thereof;

FIG. 5 is a rear elevational view thereof;

FIG. 6 is a bottom plan view thereof; and

FIG. 7 is a top, right side perspective view thereof, with the instrument case in an open position and the inner housing separated.

FIG. 8 is a top and right side perspective view of the inner housing of the instrument case;

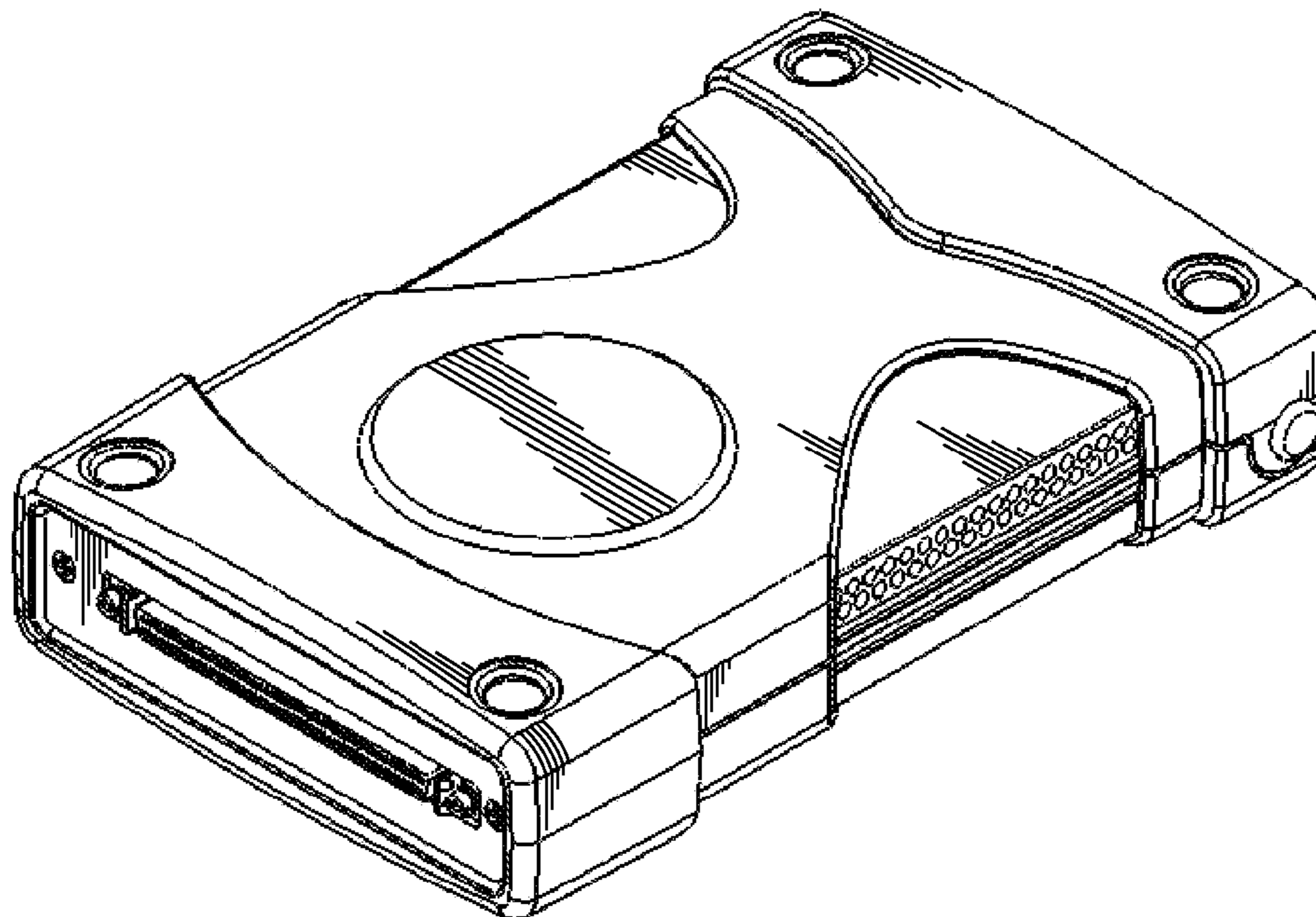
FIG. 9 is a top right side perspective view thereof, with two of the instrument cases in stacked configuration;

FIG. 10 is a left side perspective view of the two instrument cases in a stacked configuration, with the right side elevational view being an identical mirror image thereof;

FIG. 11 is a front elevational view of the two instrument cases in a stacked configuration; and,

FIG. 12 is a rear elevational view of the two instrument cases in a stacked configuration.

1 Claim, 5 Drawing Sheets



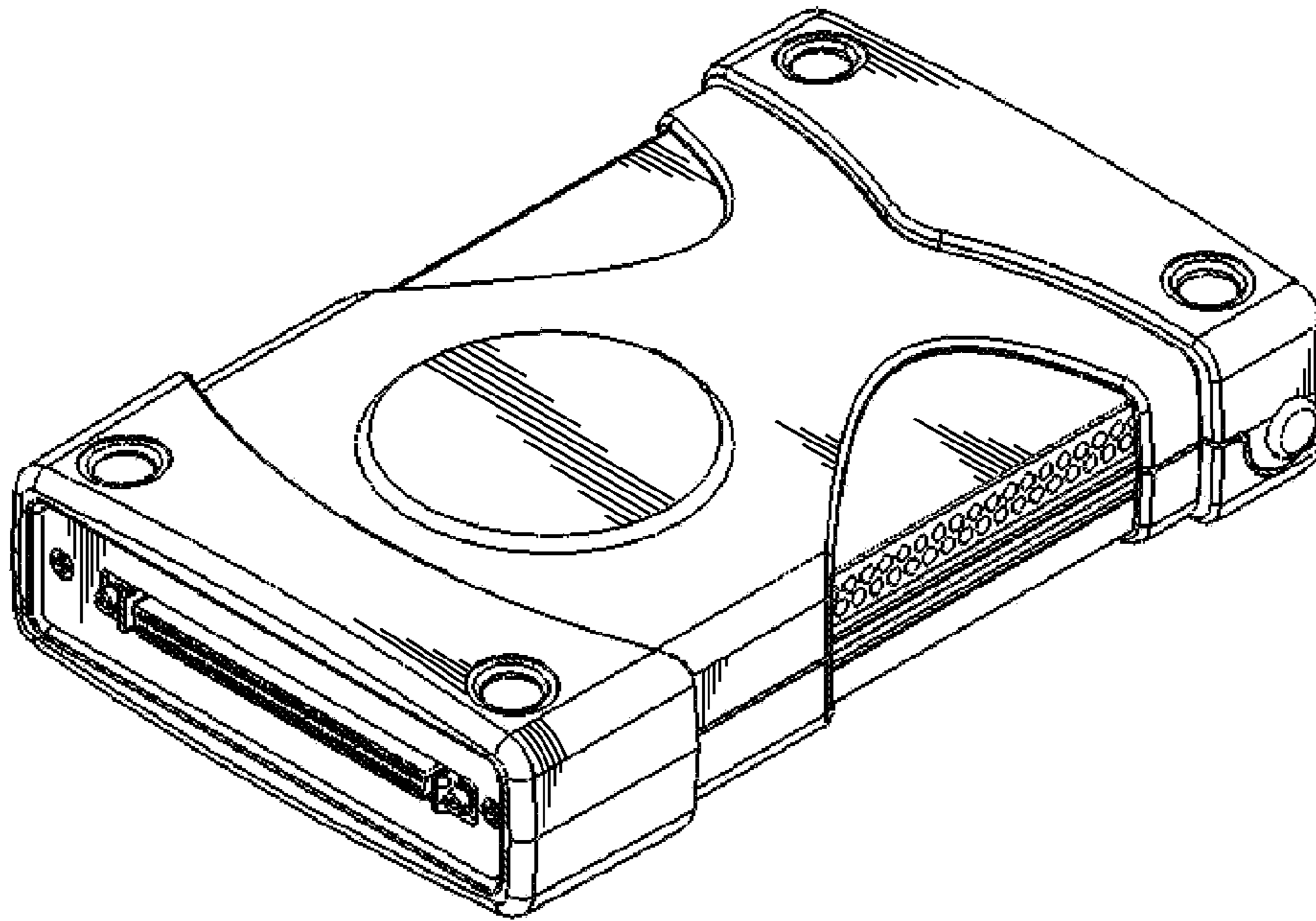


FIG. 1

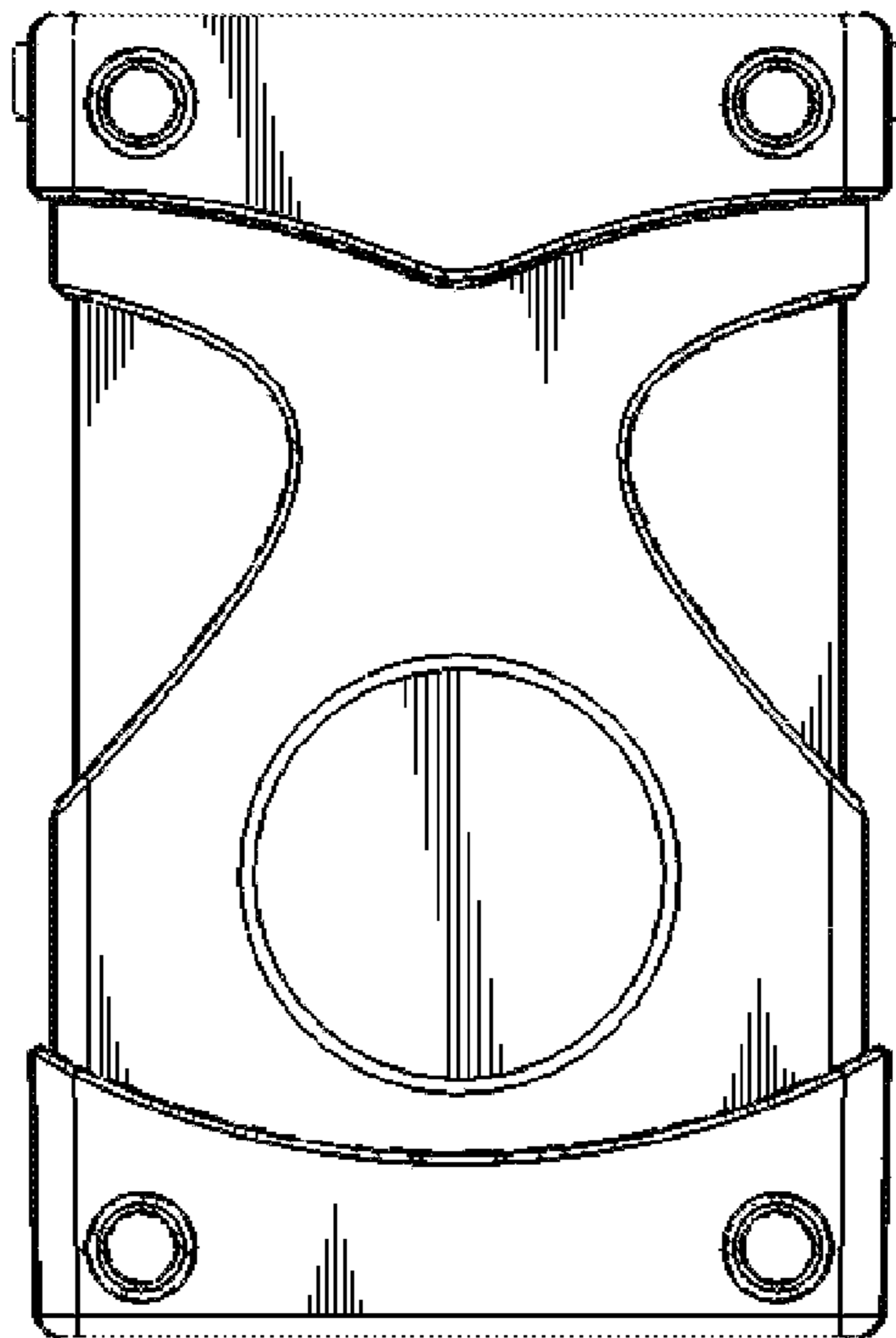


FIG. 2

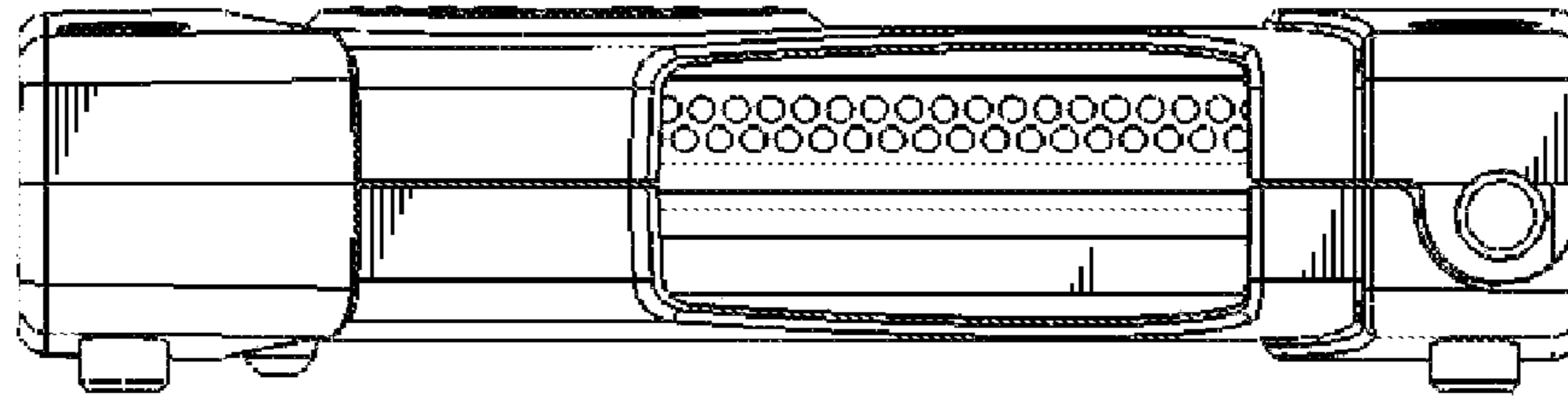


FIG. 3

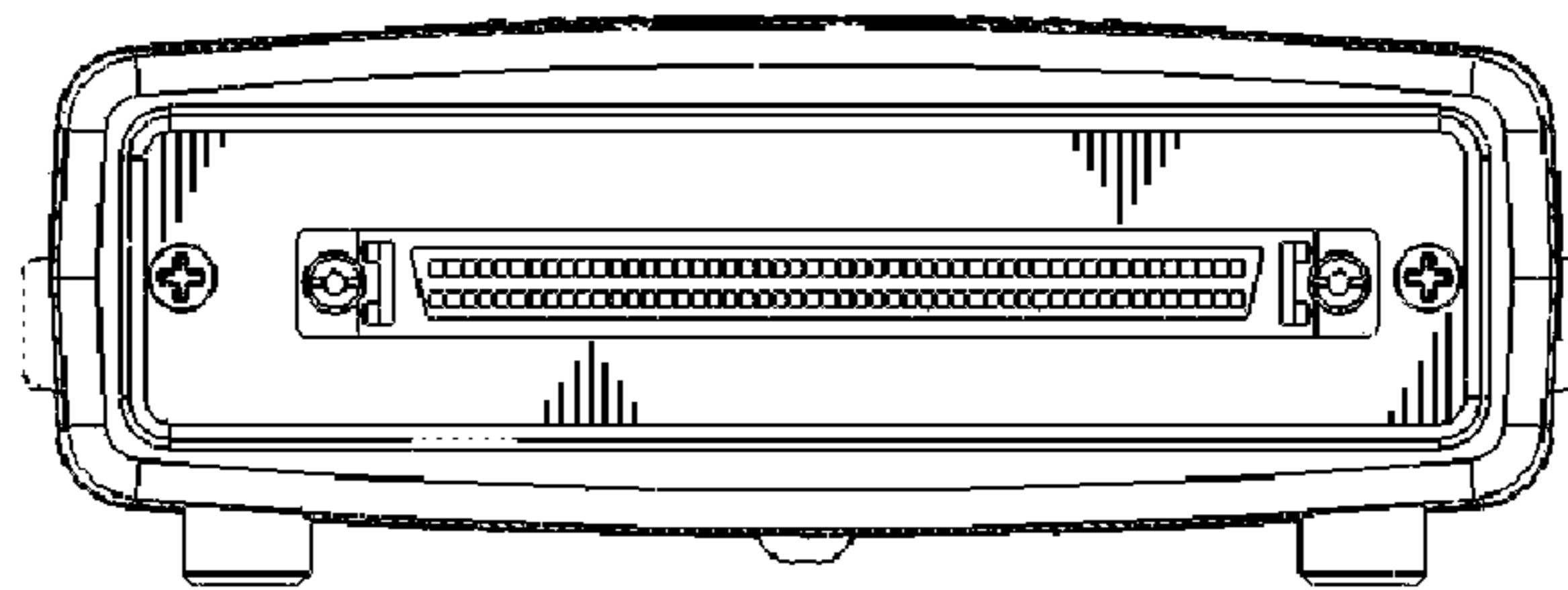


FIG. 4

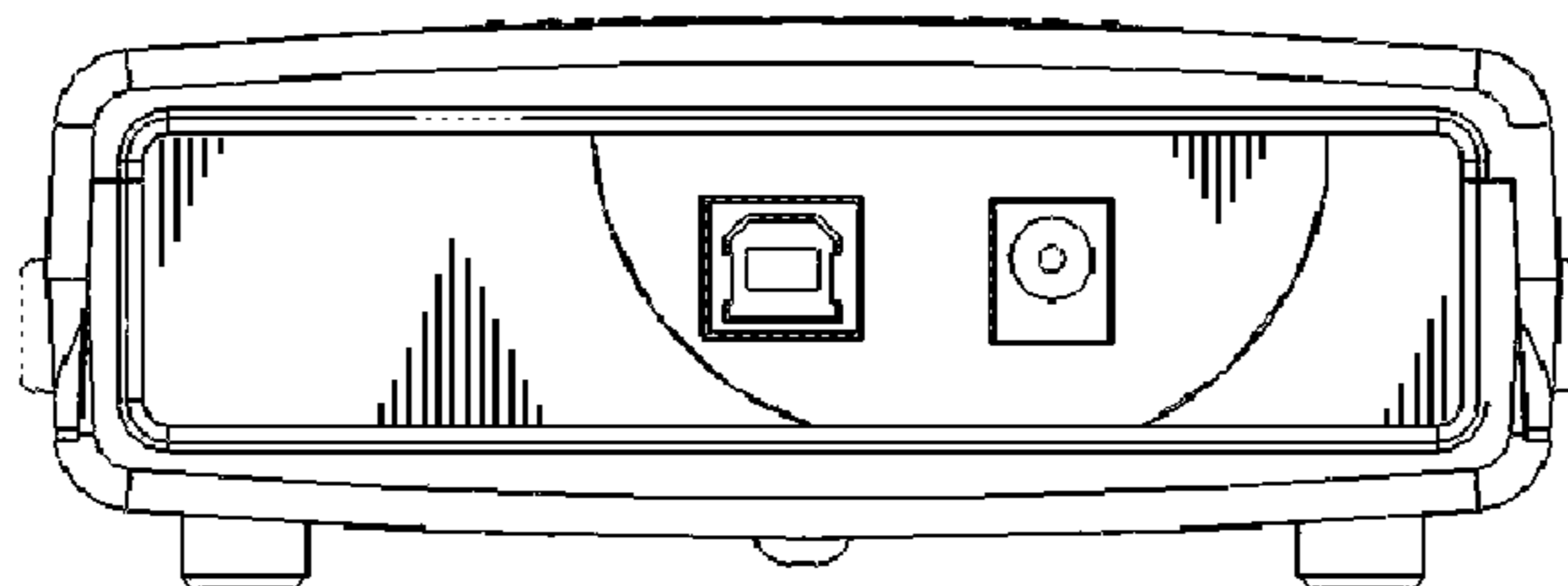


FIG. 5

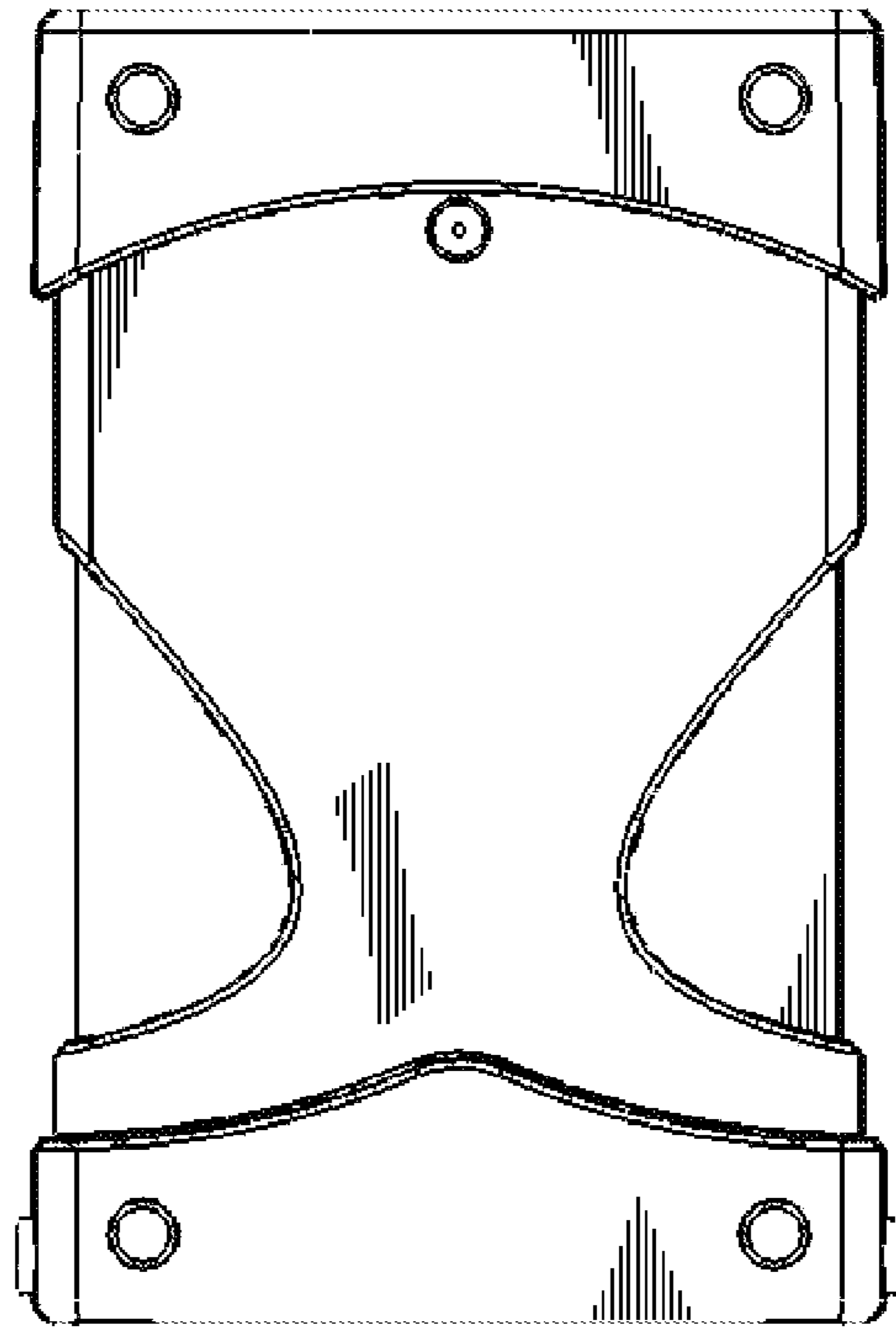


FIG. 6

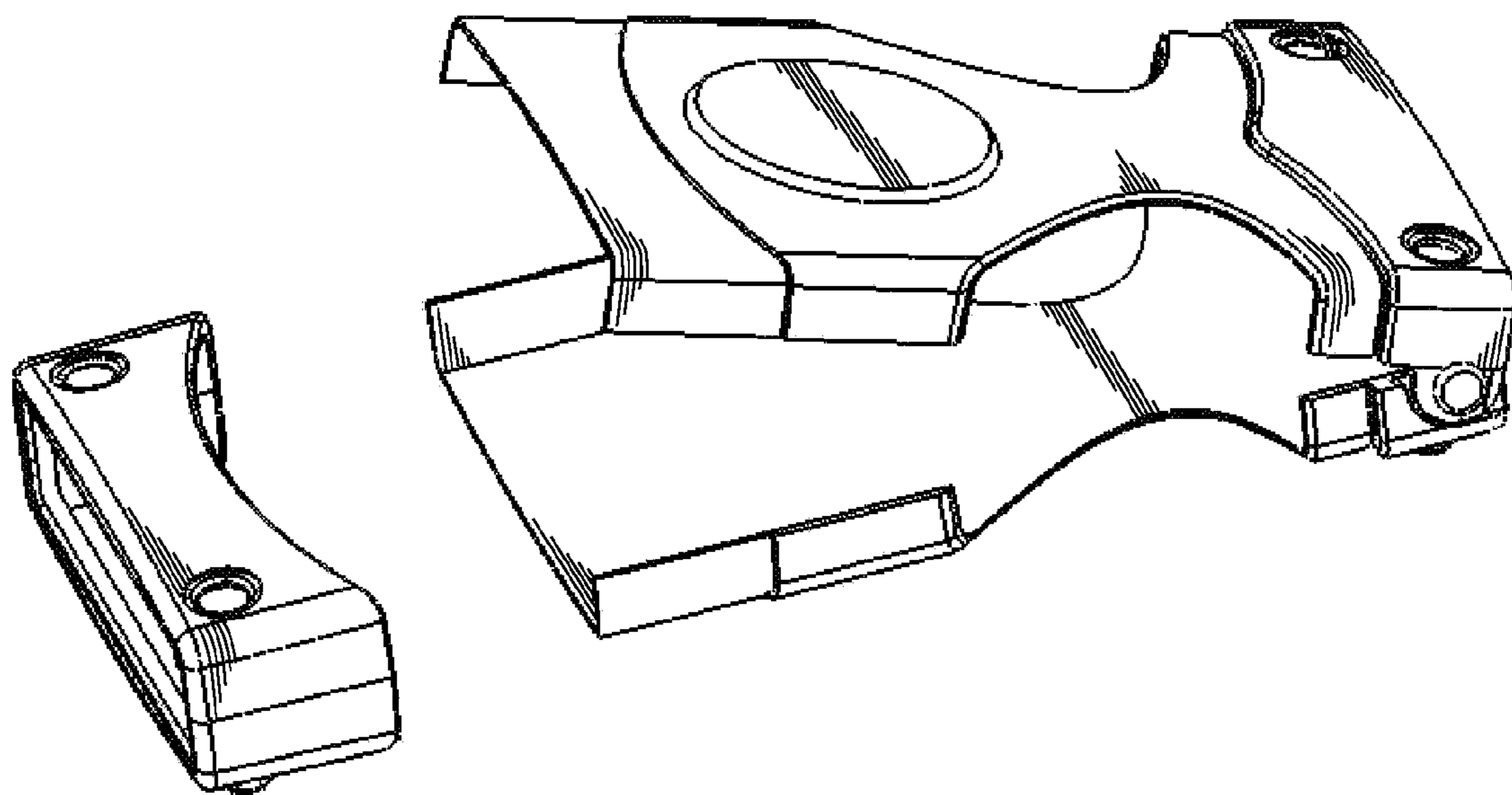


FIG. 7

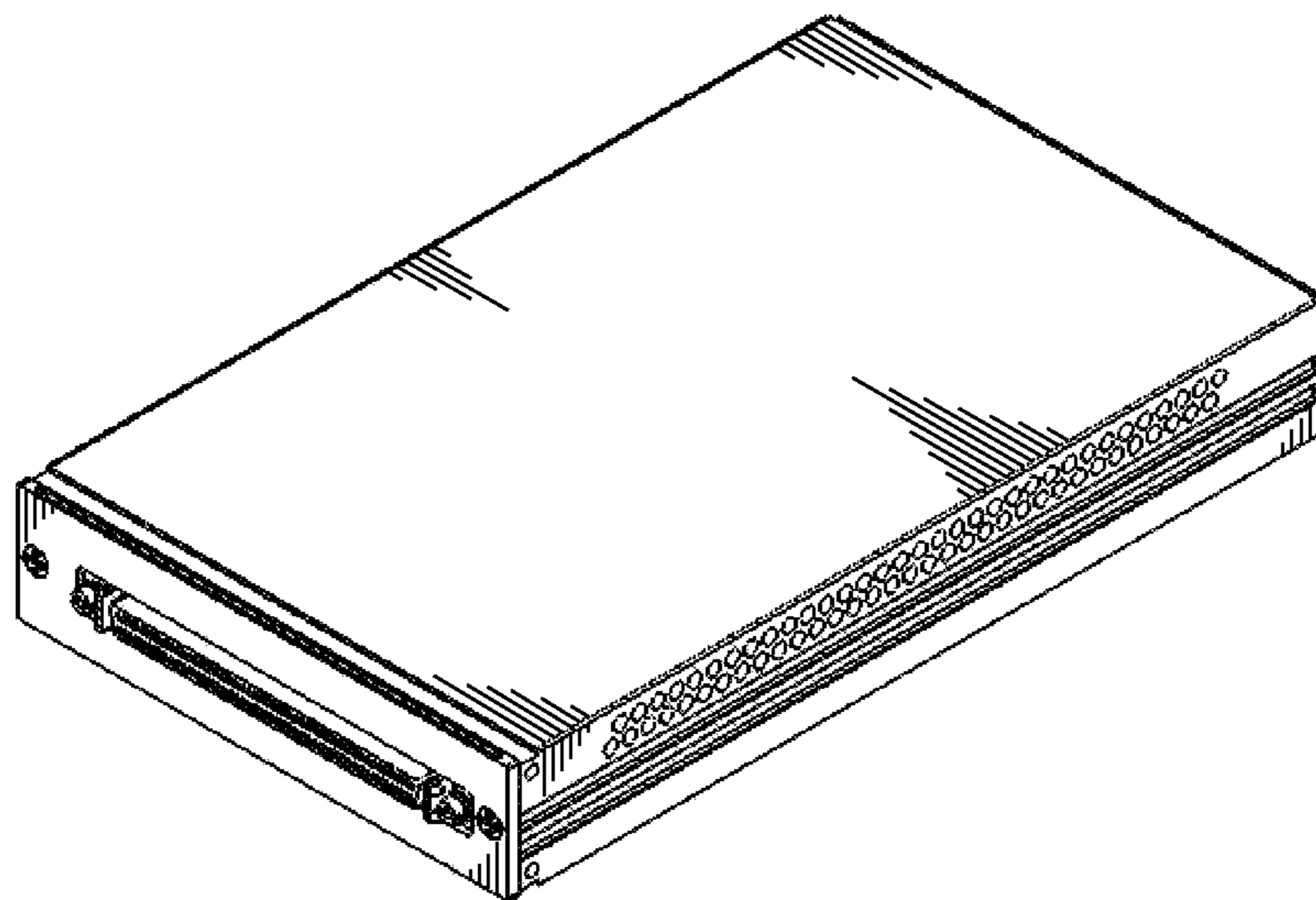


FIG. 8

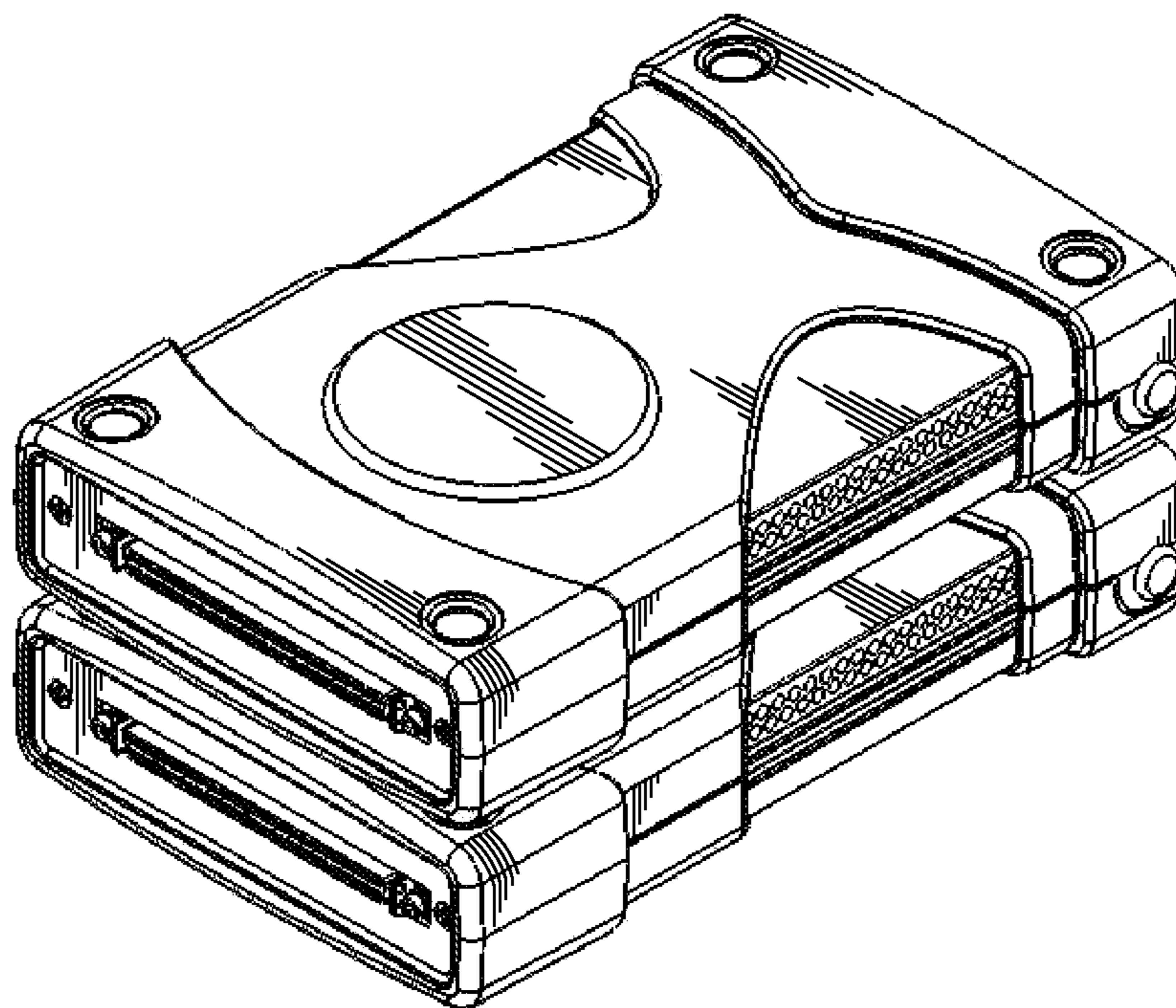


FIG. 9

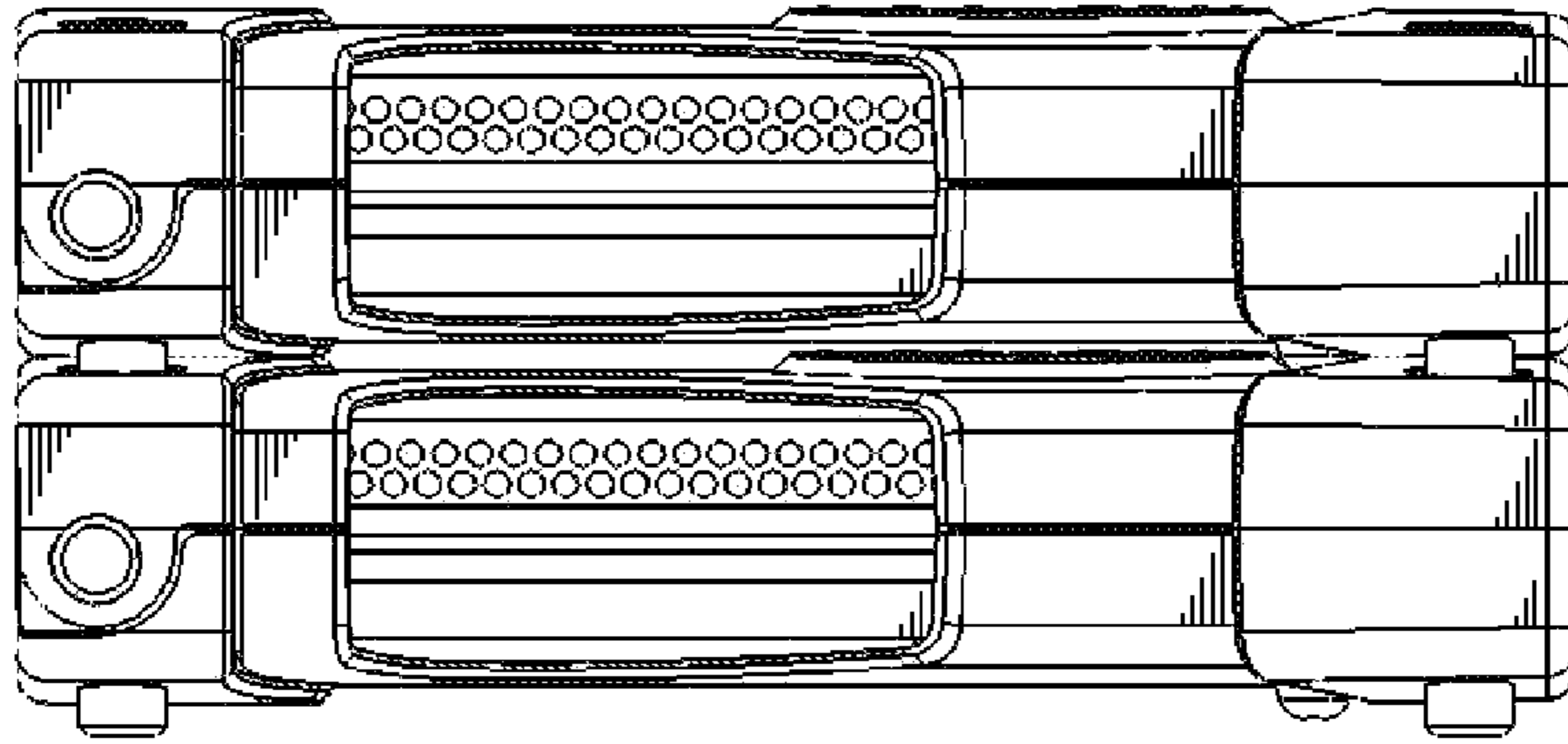


FIG. 10

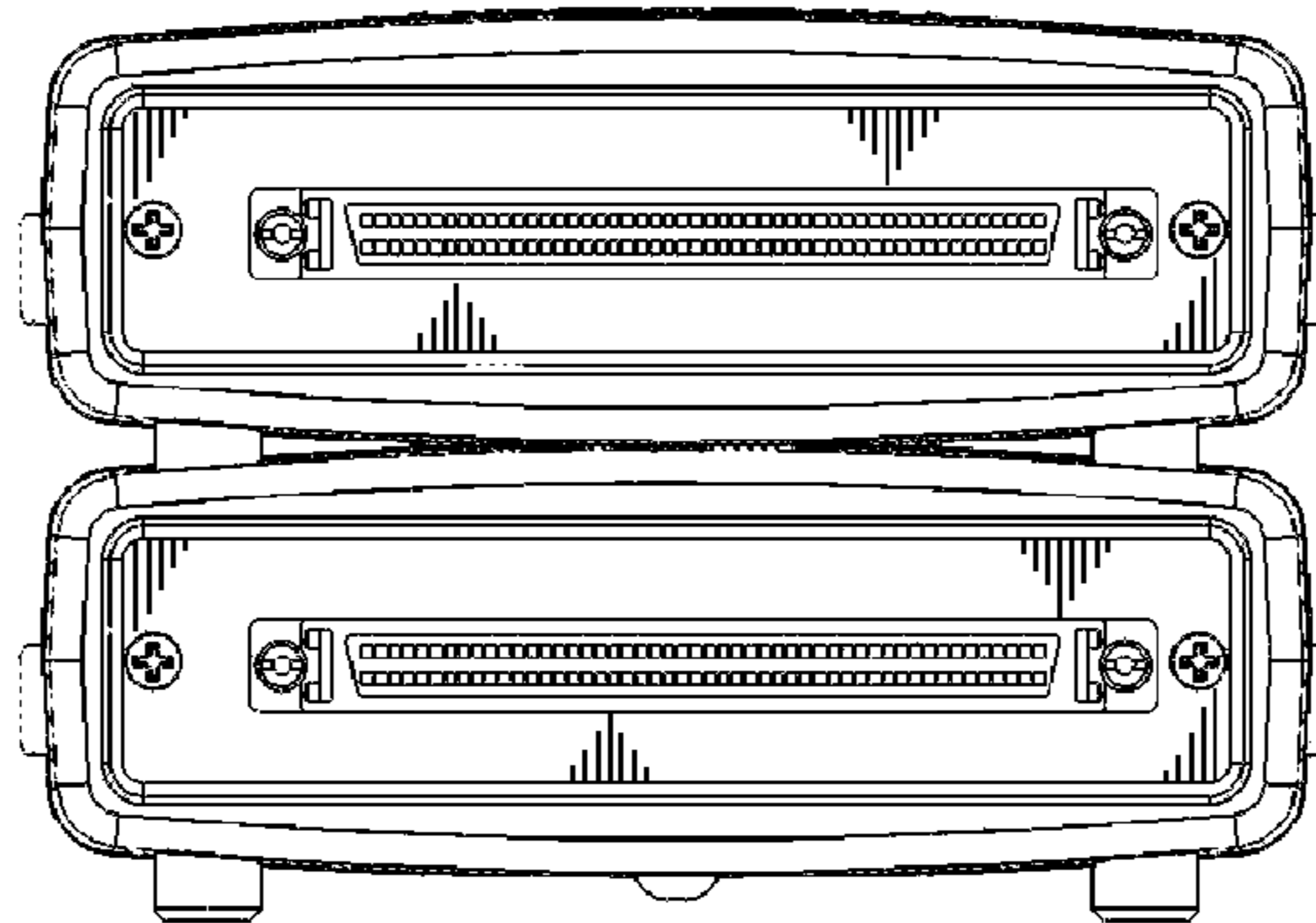


FIG. 11

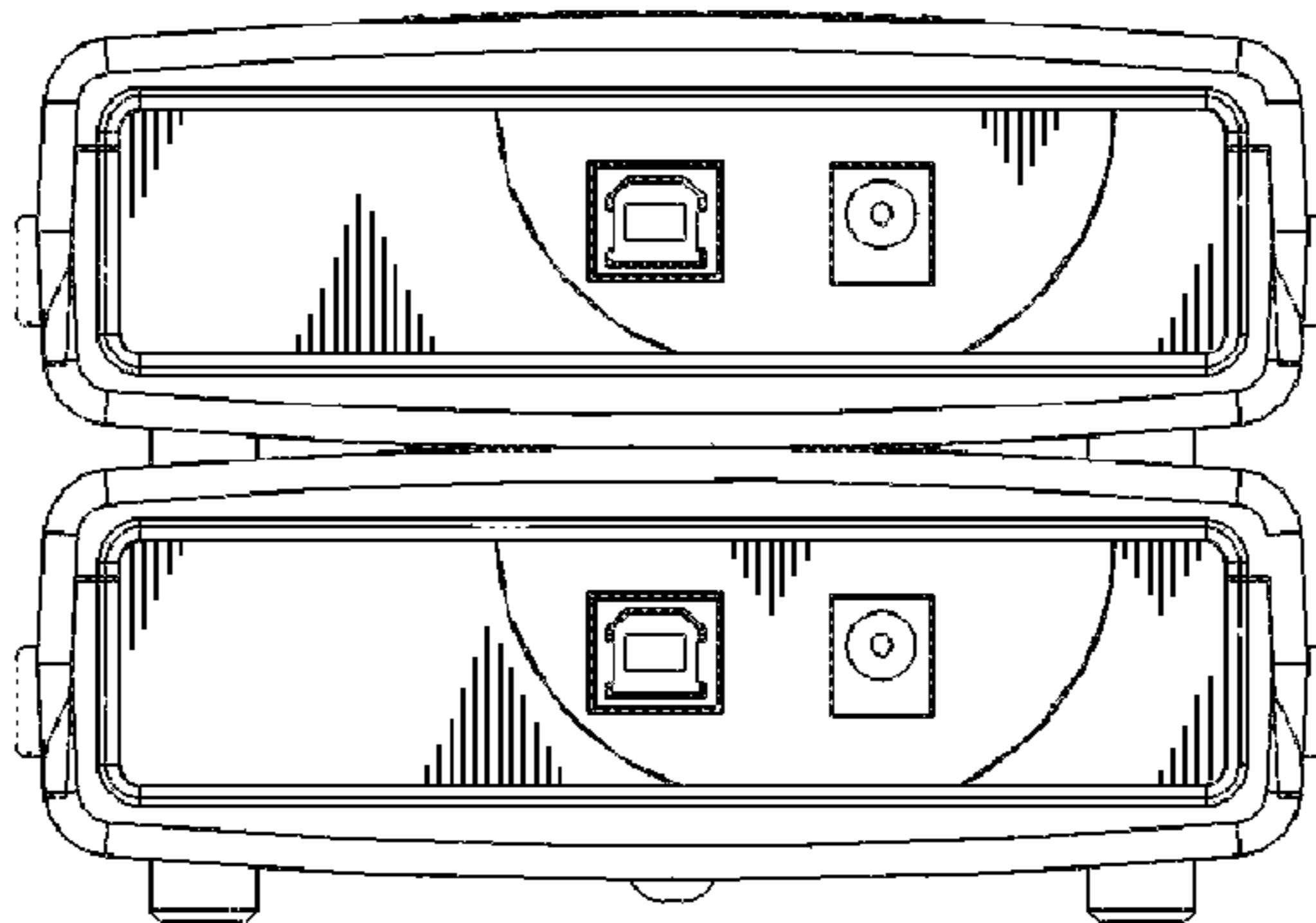


FIG. 12