



US00D551846S

(12) **United States Design Patent**  
**Ko et al.**

(10) **Patent No.:** **US D551,846 S**

(45) **Date of Patent:** **\*\* Oct. 2, 2007**

(54) **PROTECTIVE COVER**

(75) Inventors: **Hui-An Ko**, Taipei Hsien (TW);  
**Tzu-Cheng Yu**, Taipei Hsien (TW)

(73) Assignee: **Sutech Trading Limited**, Tortola (VG)

(\*\*) Term: **14 Years**

(21) Appl. No.: **29/250,463**

(22) Filed: **Nov. 15, 2006**

(30) **Foreign Application Priority Data**

Aug. 23, 2006 (CN) ..... 2006 3 0018285

(51) **LOC (8) Cl.** ..... **03-01**

(52) **U.S. Cl.** ..... **D3/201**

(58) **Field of Classification Search** ..... D3/201,  
D3/247-249, 272-273, 242; D6/407, 631,  
D6/632; 206/308.1, 308.2, 308.3, 309-314  
See application file for complete search history.

(56) **References Cited**

U.S. PATENT DOCUMENTS

D414,033 S \* 9/1999 Rohm ..... D3/249  
D423,772 S \* 5/2000 Cooper et al. .... D3/218  
D464,196 S \* 10/2002 Parker ..... D3/201

D465,330 S \* 11/2002 Parker ..... D3/201  
D472,420 S \* 4/2003 Marsilio et al. .... D6/632  
D484,682 S \* 1/2004 Sylvan ..... D3/201

\* cited by examiner

*Primary Examiner*—Catherine R. Oliver

(74) *Attorney, Agent, or Firm*—Jeffrey T. Knapp

(57) **CLAIM**

The ornamental design for a protective cover, as shown and described.

**DESCRIPTION**

FIG. 1 is a perspective view of a protective cover showing our new design;

FIG. 2 is a front elevational view thereof;

FIG. 3 is a rear elevational view thereof;

FIG. 4 is a left side elevational view thereof;

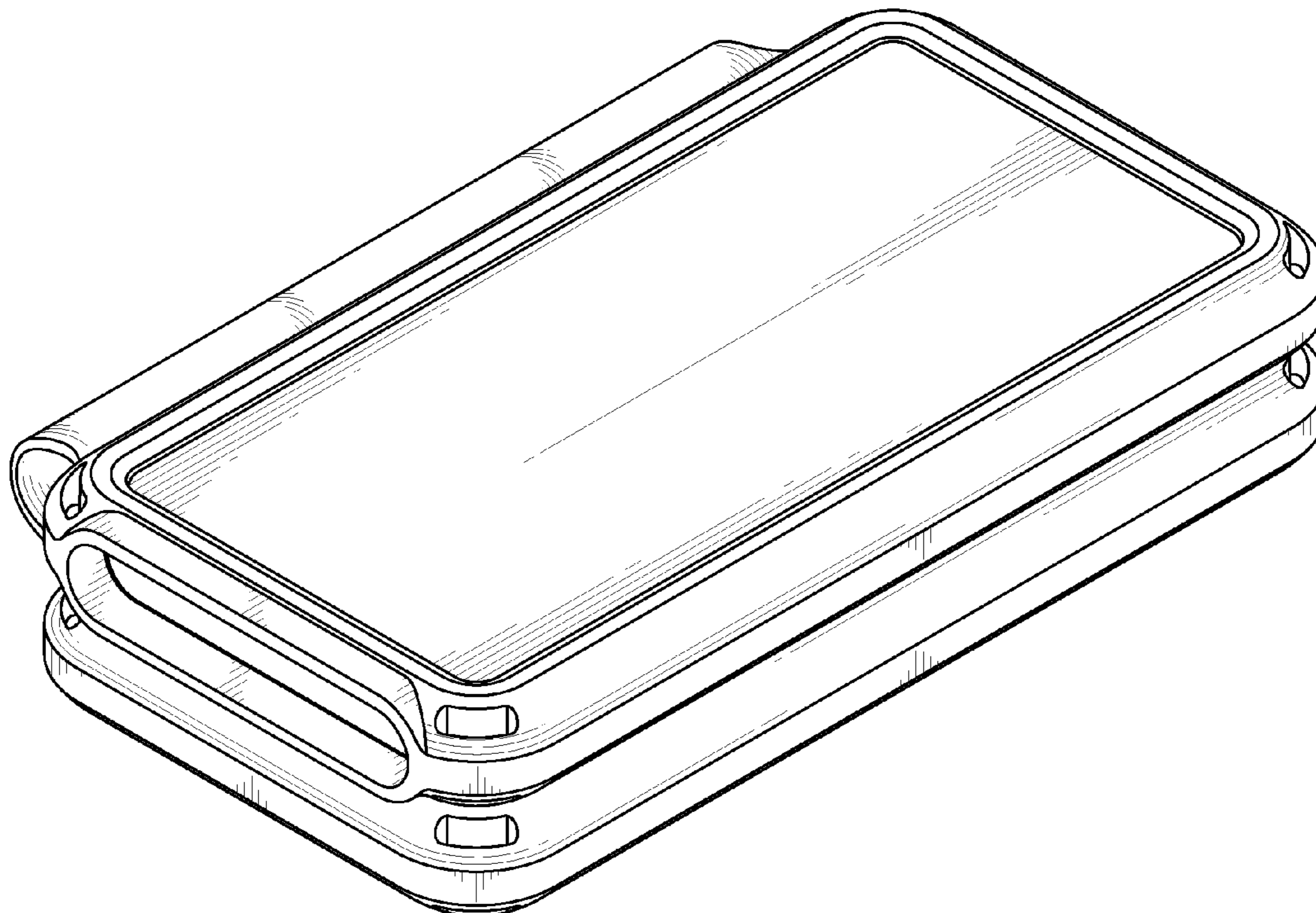
FIG. 5 is a right side elevational view thereof;

FIG. 6 is a top plan view thereof;

FIG. 7 is a bottom plan view thereof; and,

FIG. 8 is a perspective view with the cover shown open and in a position of use.

**1 Claim, 8 Drawing Sheets**



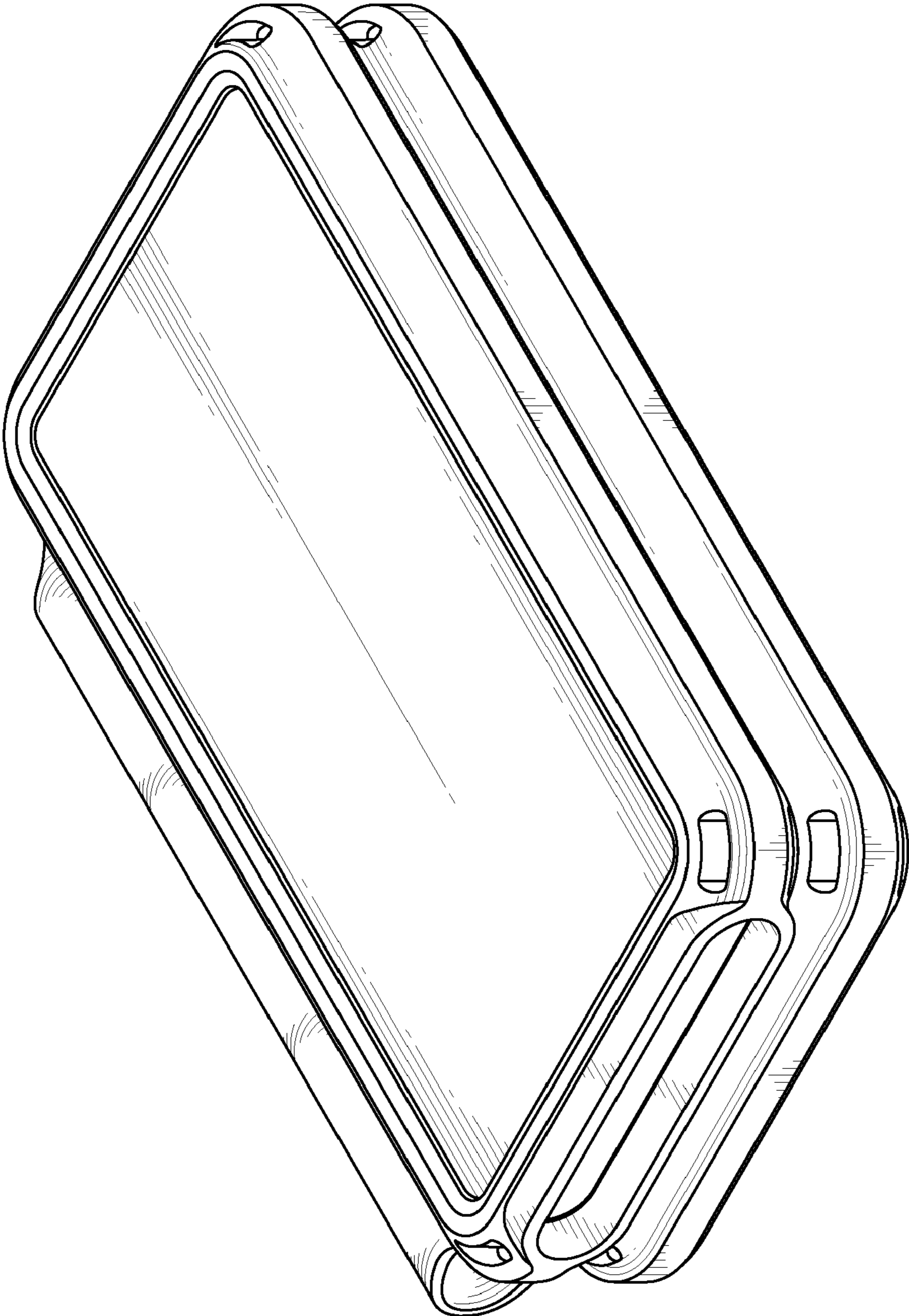


FIG. 1

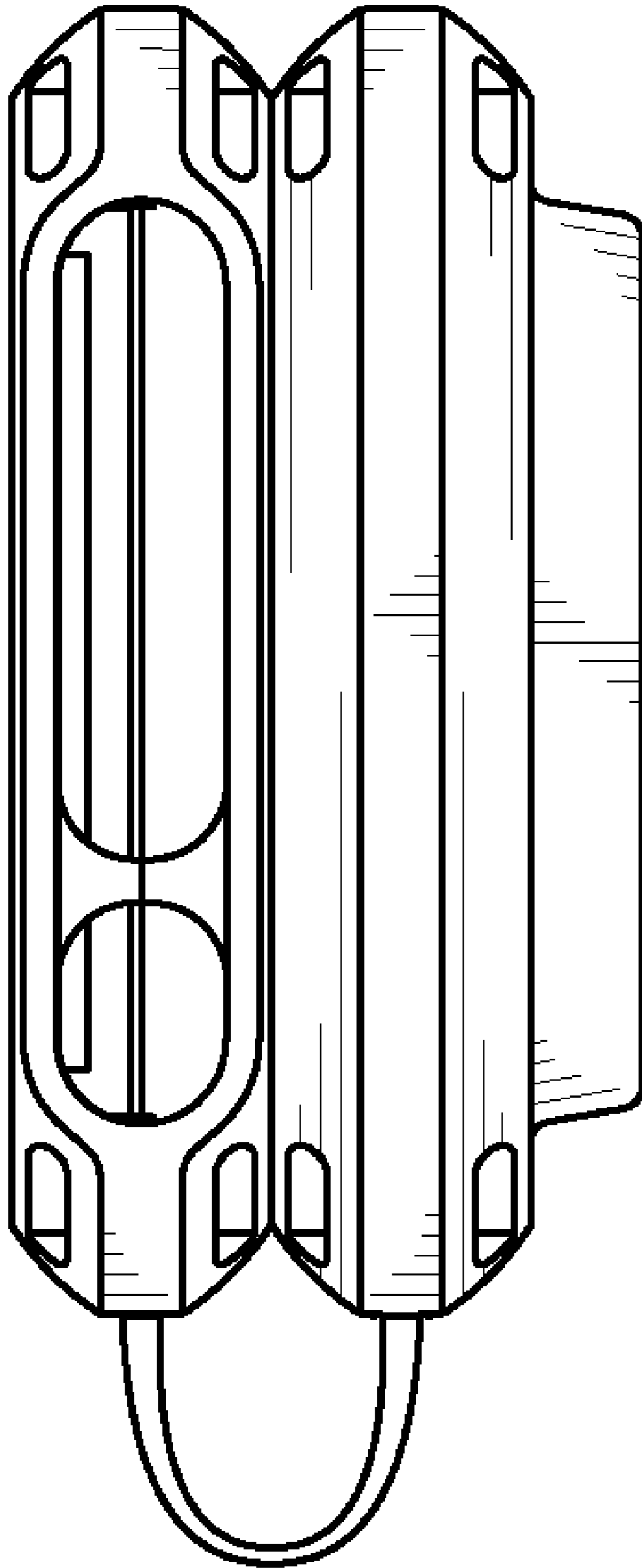


FIG. 2

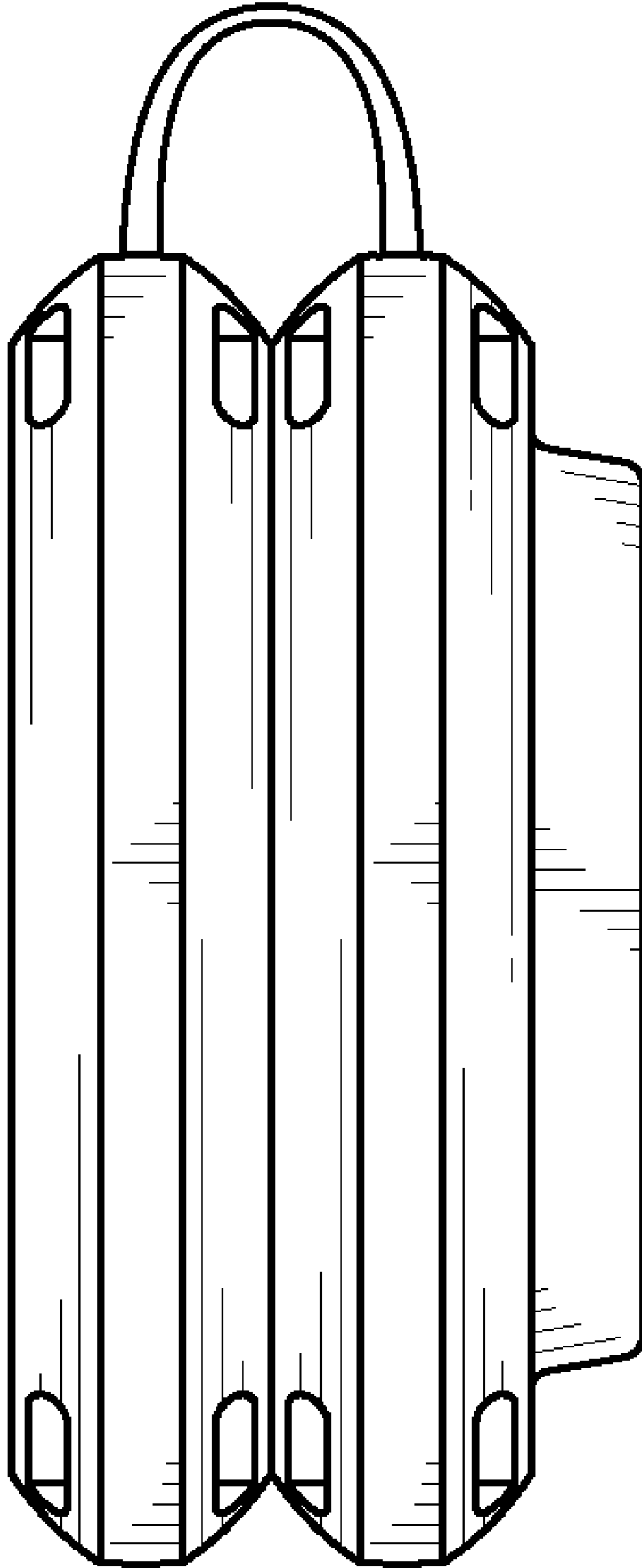


FIG. 3

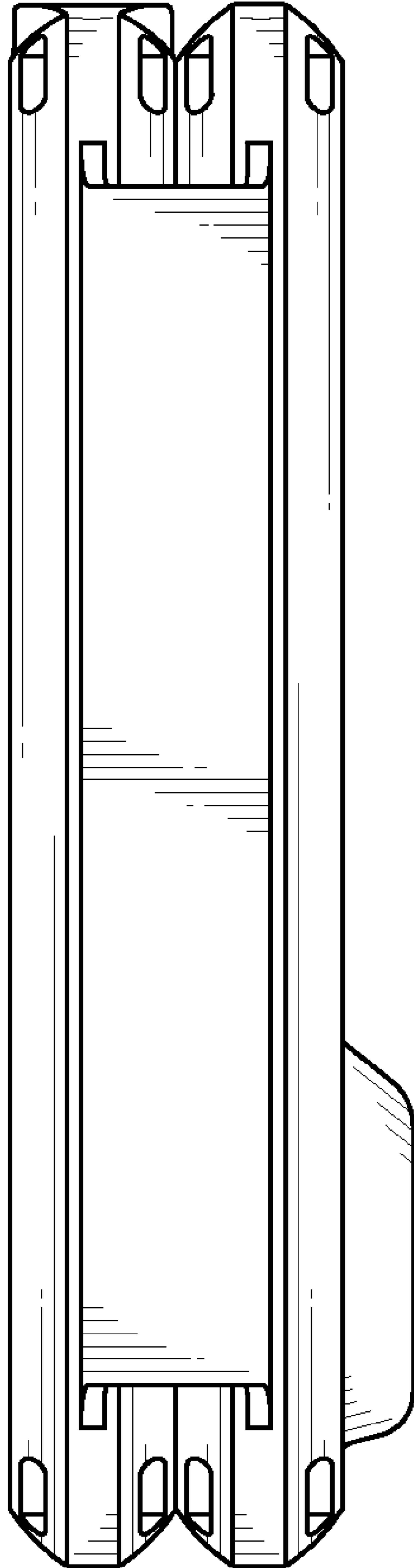


FIG. 4

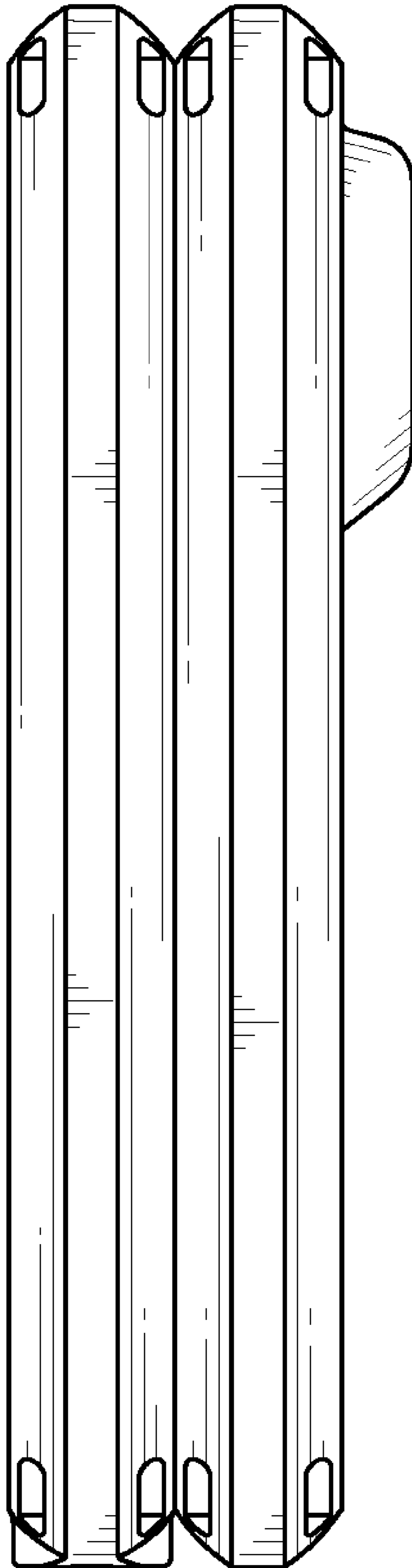


FIG. 5

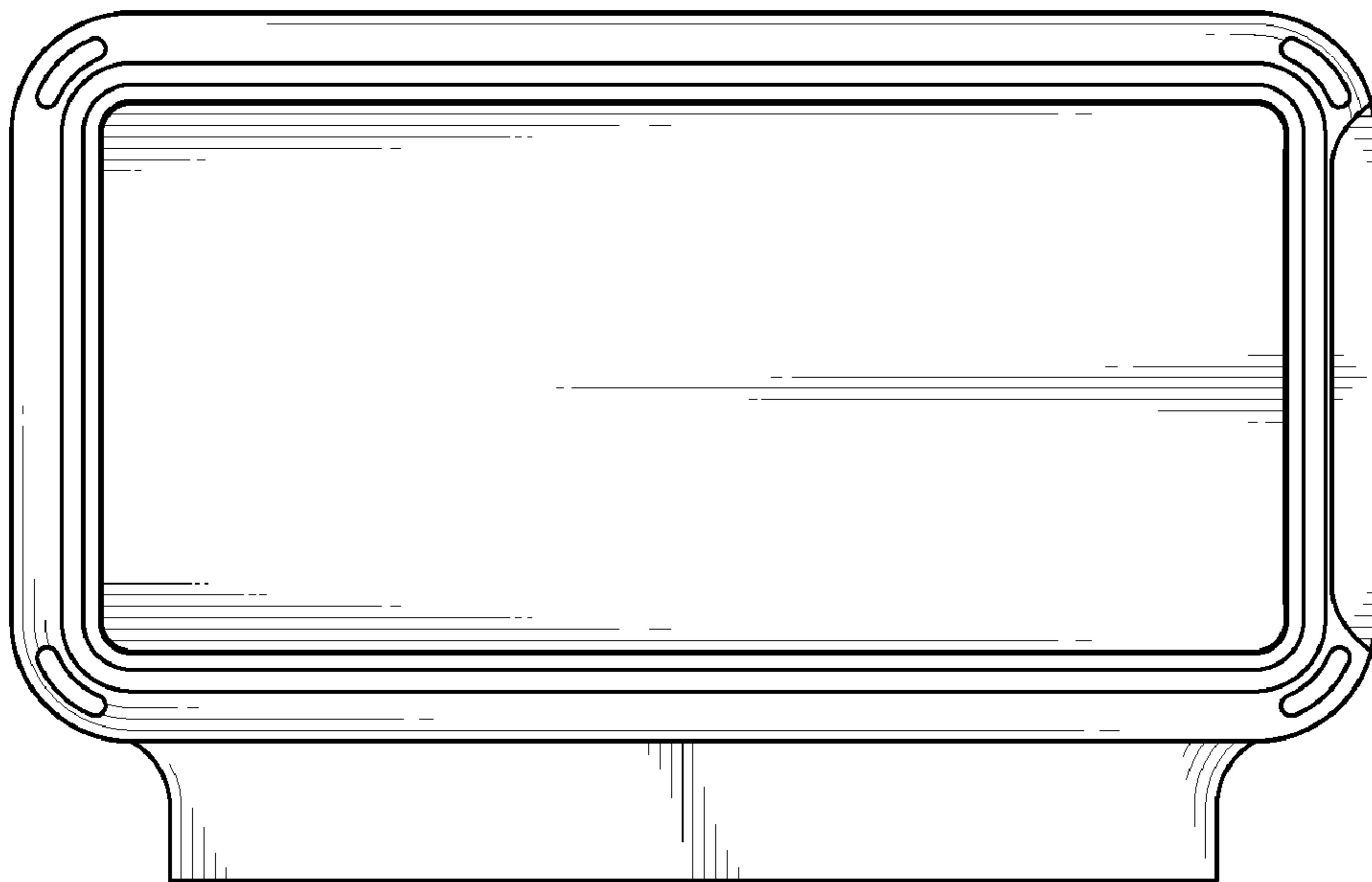


FIG. 6

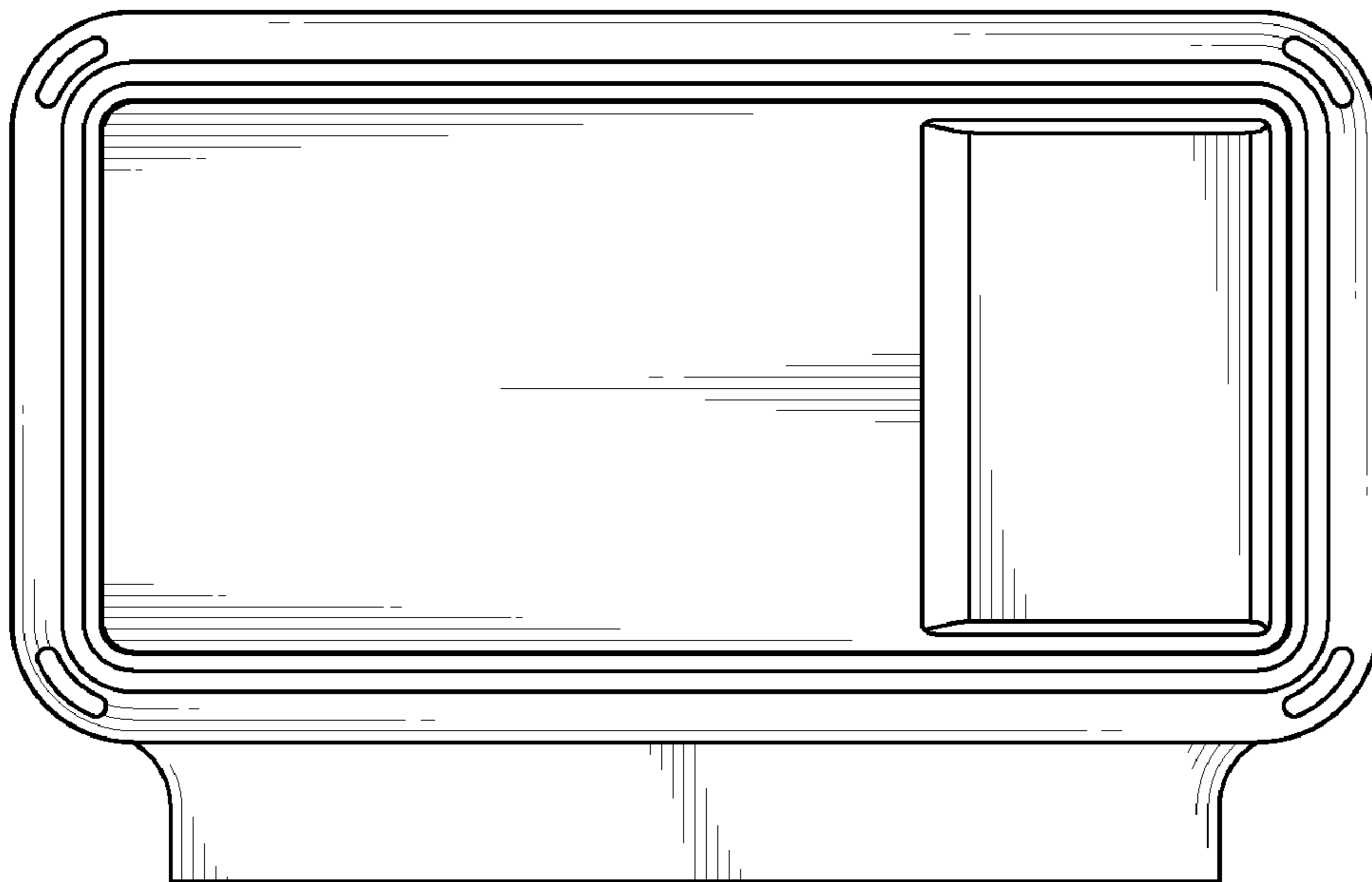


FIG. 7



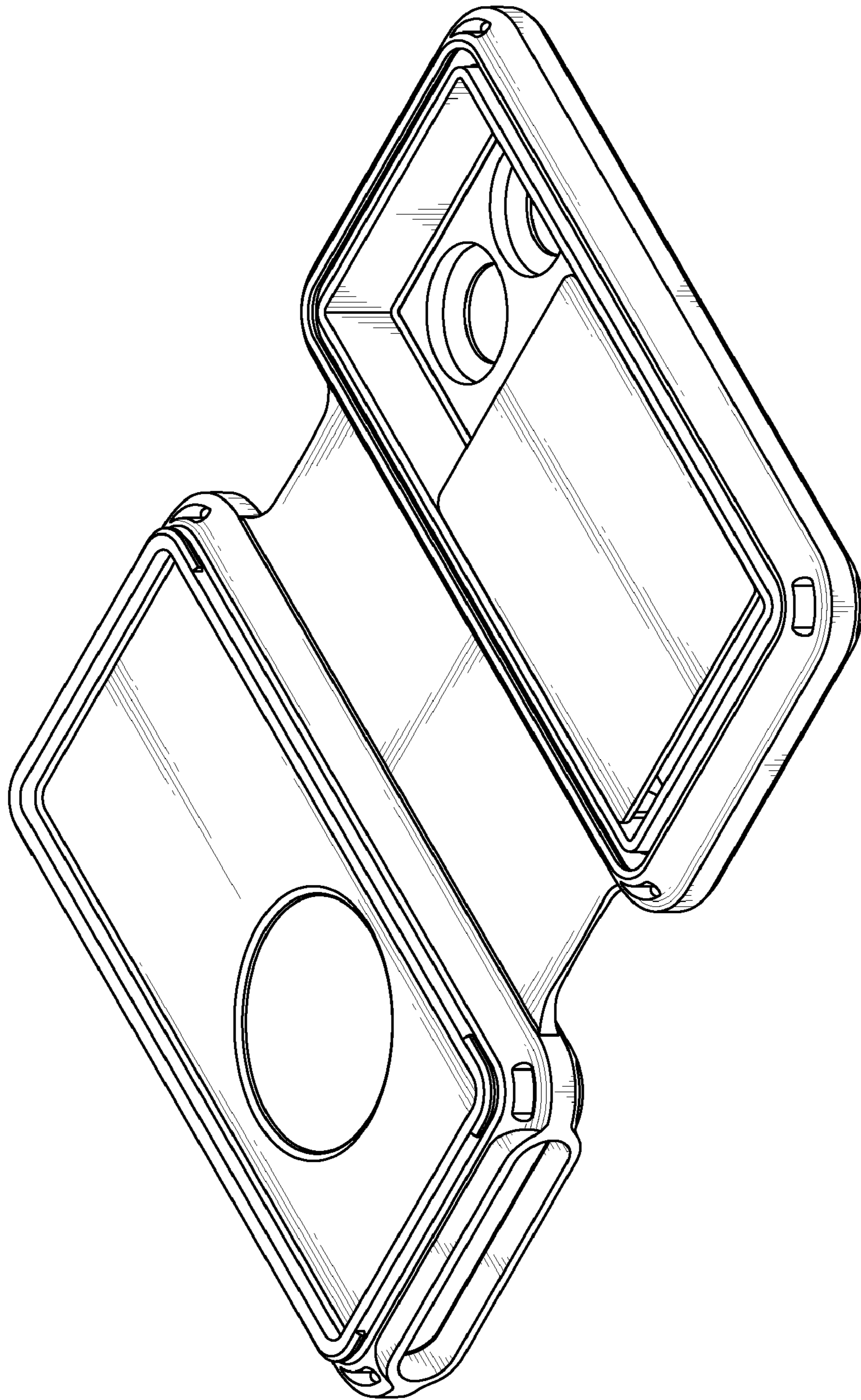


FIG. 8