



US00D551831S

(12) **United States Design Patent**
Romero-Sanchez

(10) **Patent No.:** **US D551,831 S**

(45) **Date of Patent:** **** Oct. 2, 2007**

(54) **PART OF SOLE FOR FOOTWEAR**

(75) **Inventor:** **Juan Carlos Romero-Sanchez**, Salinas (ES)

(73) **Assignee:** **Calzados Anatomicos Calana, S.A.**, Salinas (ES)

(**) **Term:** **14 Years**

(21) **Appl. No.:** **29/228,601**

(22) **Filed:** **Apr. 26, 2005**

(30) **Foreign Application Priority Data**

Jan. 14, 2005 (EM) 000280425

(51) **LOC (8) Cl.** **02-04**

(52) **U.S. Cl.** **D2/947; D2/956**

(58) **Field of Classification Search** D2/896,
D2/947, 949, 950, 951, 953, 954, 956, 957,
D2/959, 962; 36/3 B, 14, 15, 22 R, 24.5,
36/25 R, 28, 32 R, 43, 71, 103, 104, 113,
36/114, 115, 134

See application file for complete search history.

(56) **References Cited**

U.S. PATENT DOCUMENTS

96,452 A	11/1869	Loper
238,441 A	3/1881	Sachs
D121,469 S	7/1940	Fern
2,252,216 A	8/1941	Sterzik
D133,172 S	7/1942	Block
2,364,763 A	12/1944	Sutcliffe
2,755,567 A	7/1956	Rudine
4,104,754 A	8/1978	Almao
4,146,981 A	4/1979	Renaldo

D255,842 S	7/1980	Goldman	
D255,843 S	7/1980	Goldman	
D270,680 S	9/1983	Jansson	
D388,946 S *	1/1998	Lin D2/961
D433,556 S	11/2000	Merceron	
6,389,712 B1	5/2002	Schelling	
6,571,491 B2	6/2003	Safdeye et al.	
D482,851 S	12/2003	McClaskie	
D520,720 S *	5/2006	Hobson D2/946
2002/0152638 A1	10/2002	Safdeye	
2002/0157281 A1	10/2002	Safdeye	
2002/0166261 A1	11/2002	Safdeye	

* cited by examiner

Primary Examiner—Celia Murphy

Assistant Examiner—Dana Sipos

(74) *Attorney, Agent, or Firm*—Adams Evans P.A.

(57) **CLAIM**

I claim the ornamental design for a part of sole for footwear, as shown and described.

DESCRIPTION

FIG. 1 is a bottom perspective view of a part of a sole for footwear according to the present design

FIG. 2 is a top perspective view thereof;

FIG. 3 is a bottom plan view thereof;

FIG. 4 is a top plan view thereof;

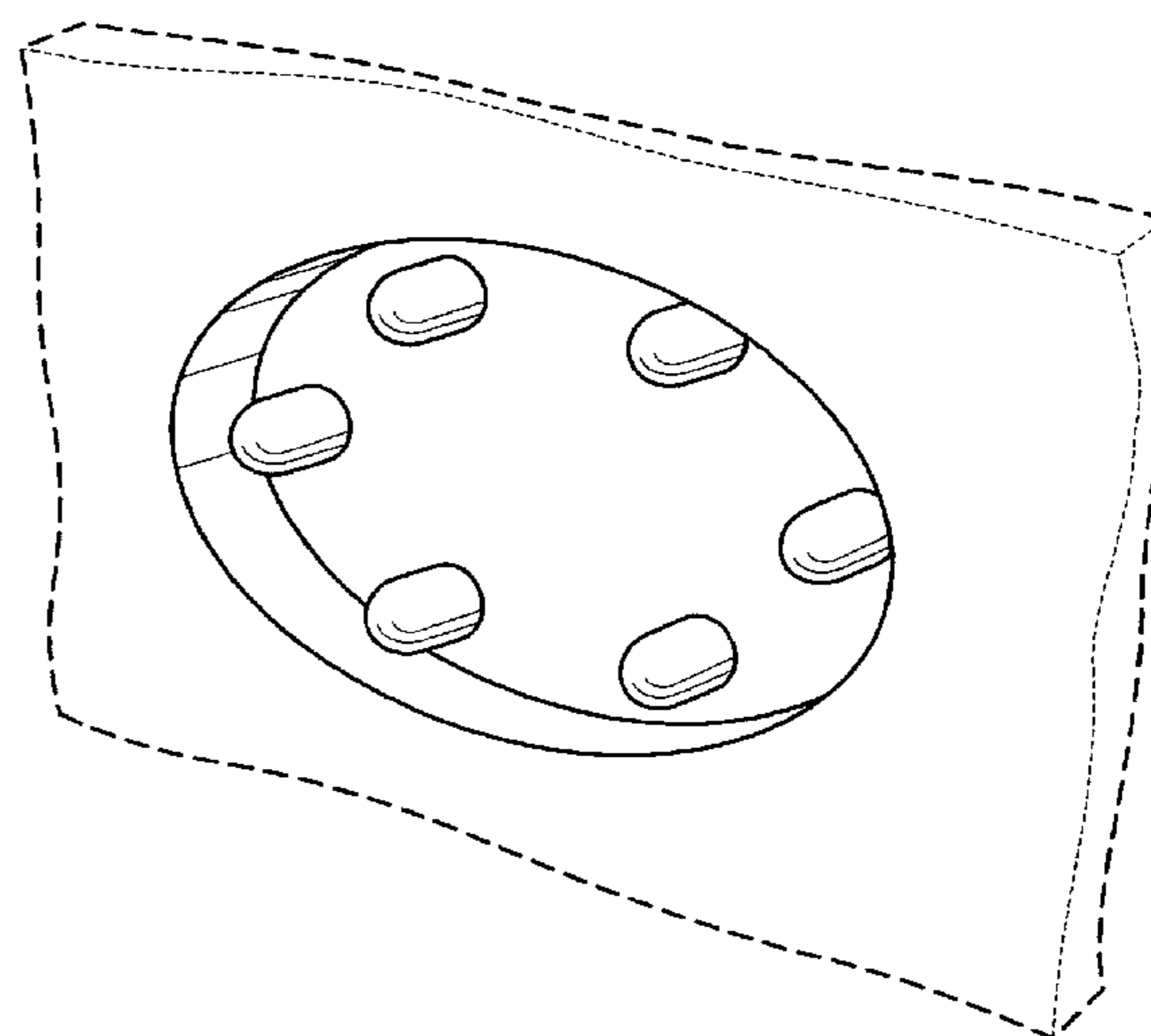
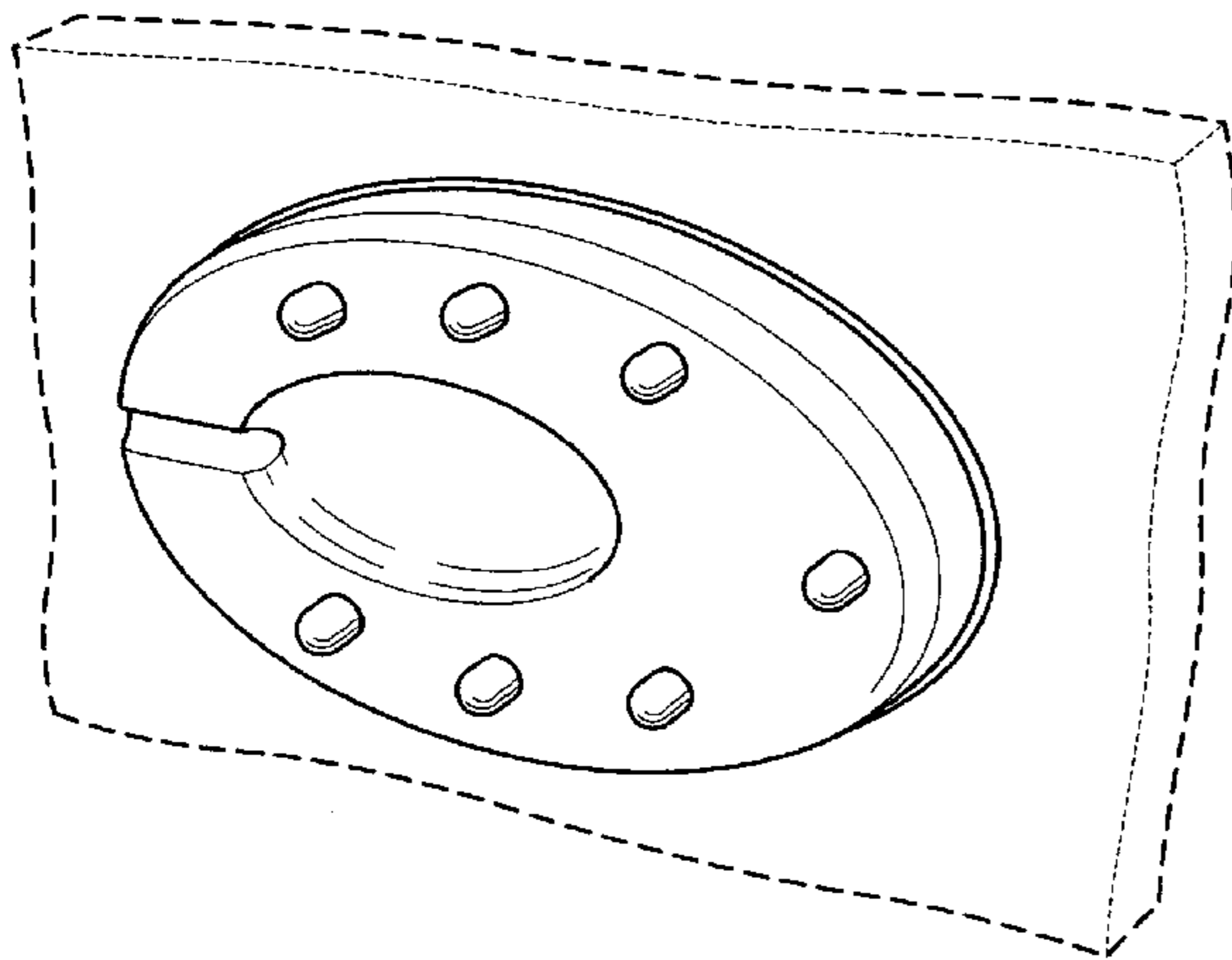
FIG. 5 is a front elevational view thereof;

FIG. 6 is a left side elevational view thereof; and,

FIG. 7 is a right side elevational view thereof.

The broken lines are for illustrative purposes only, and form no part of the claimed design.

1 Claim, 7 Drawing Sheets



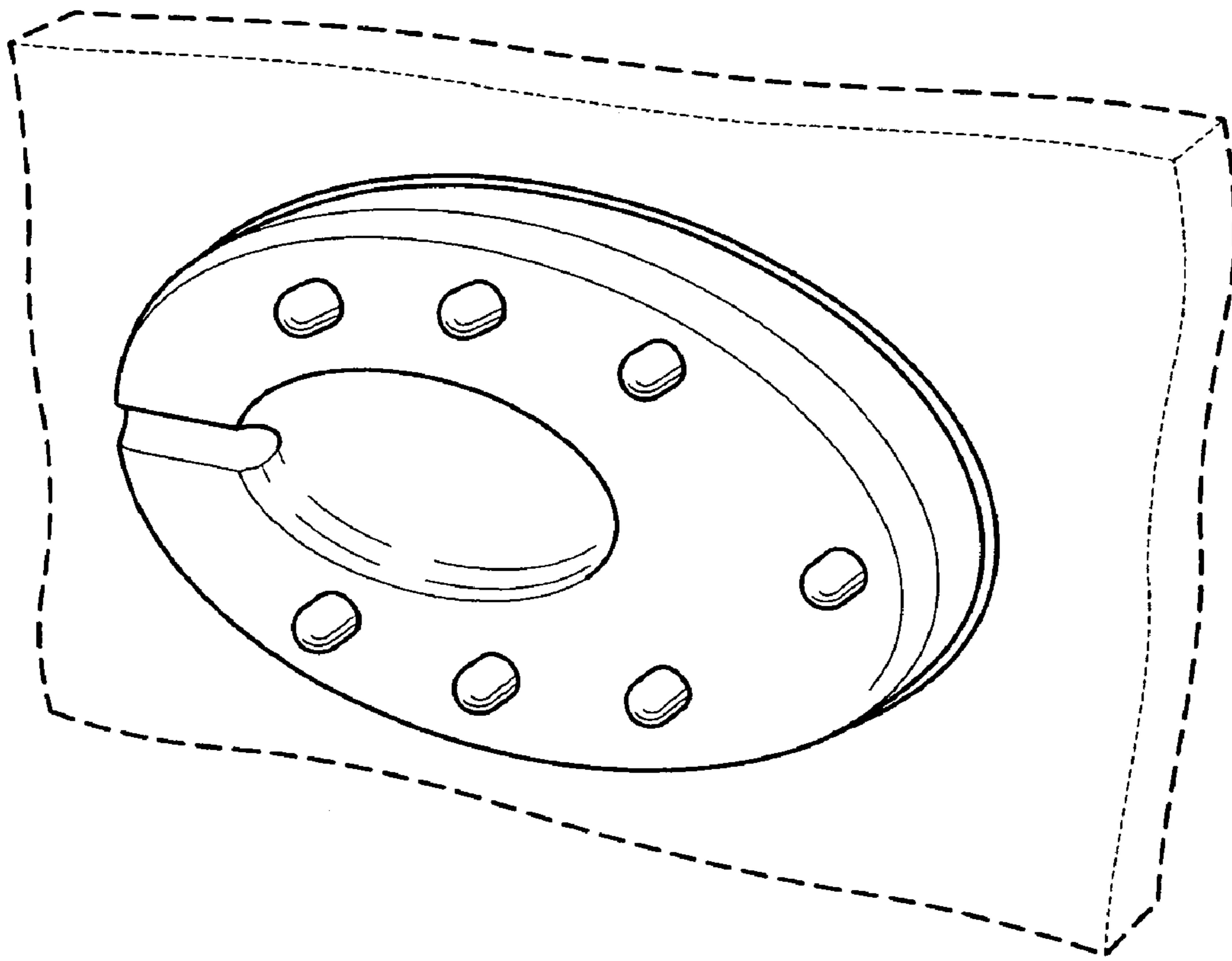


FIG.1

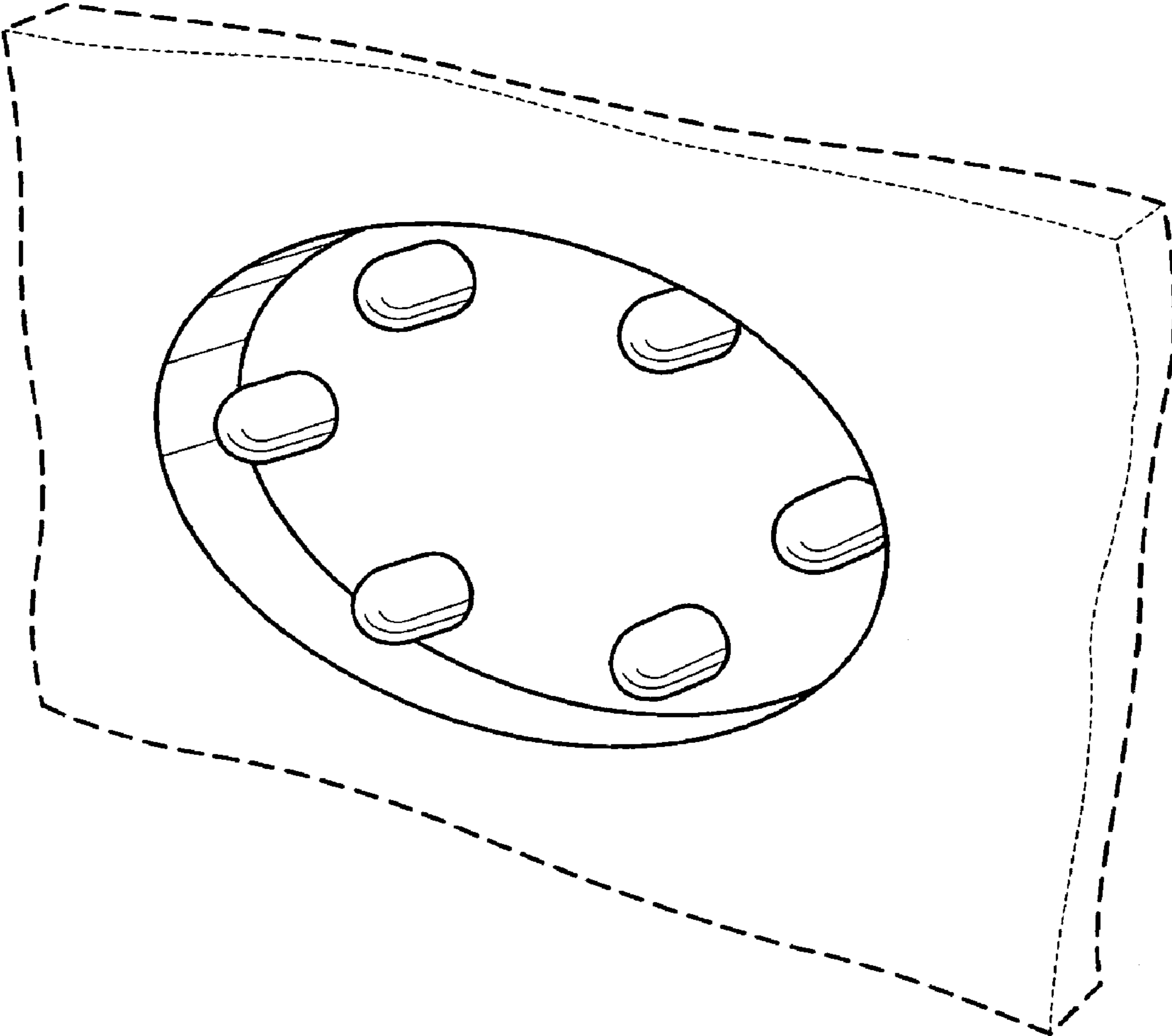


FIG.2

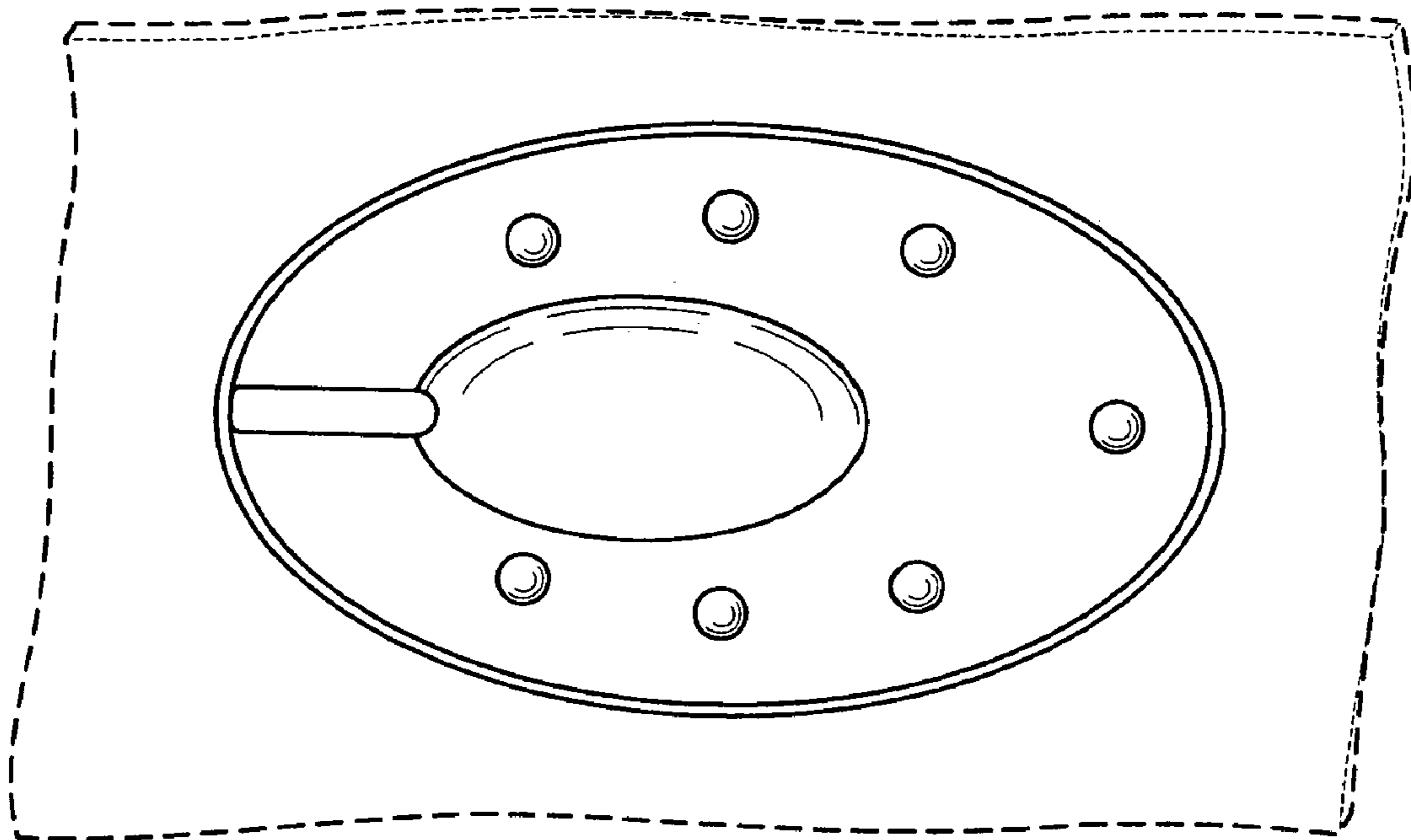


FIG.3

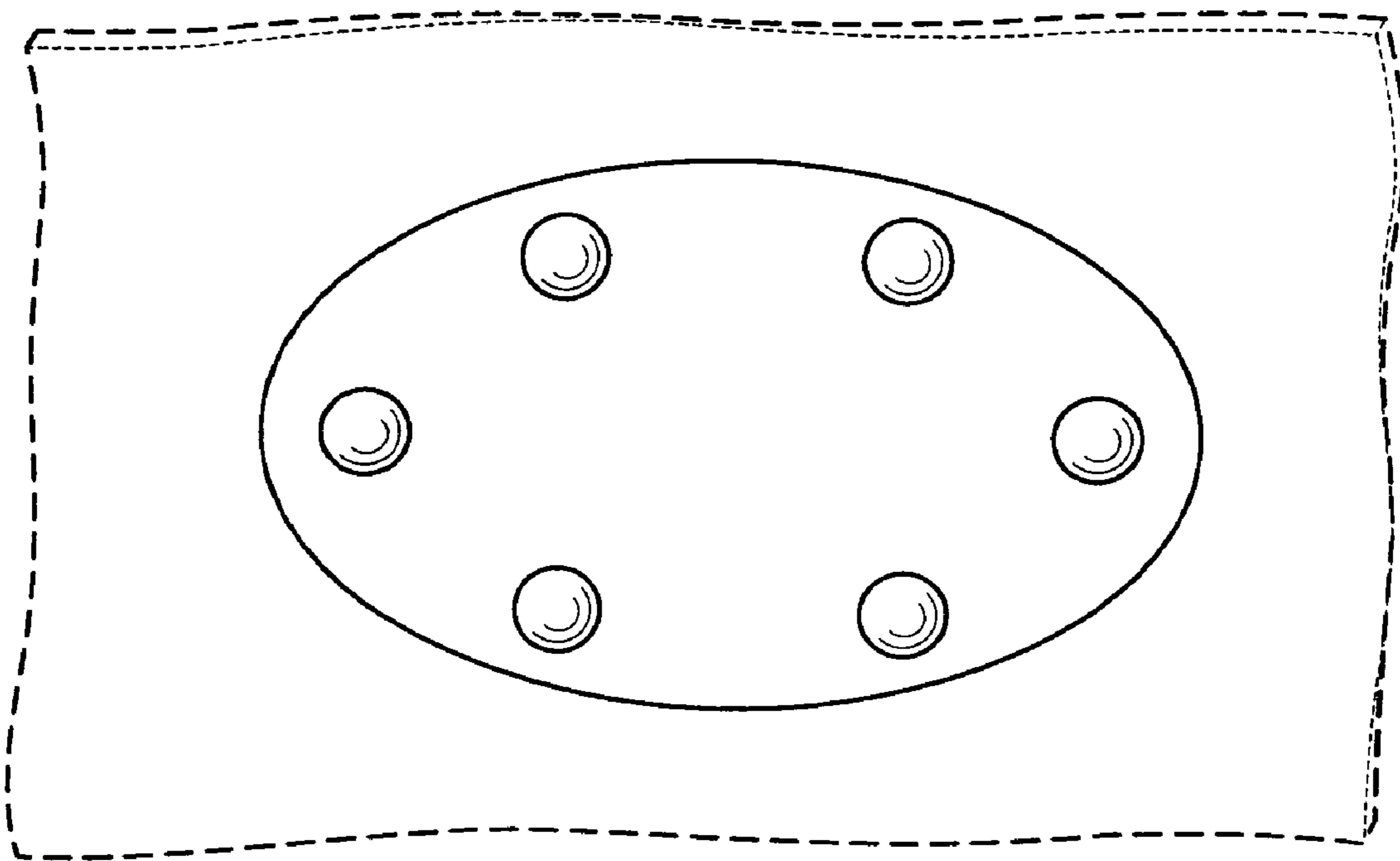


FIG. 4

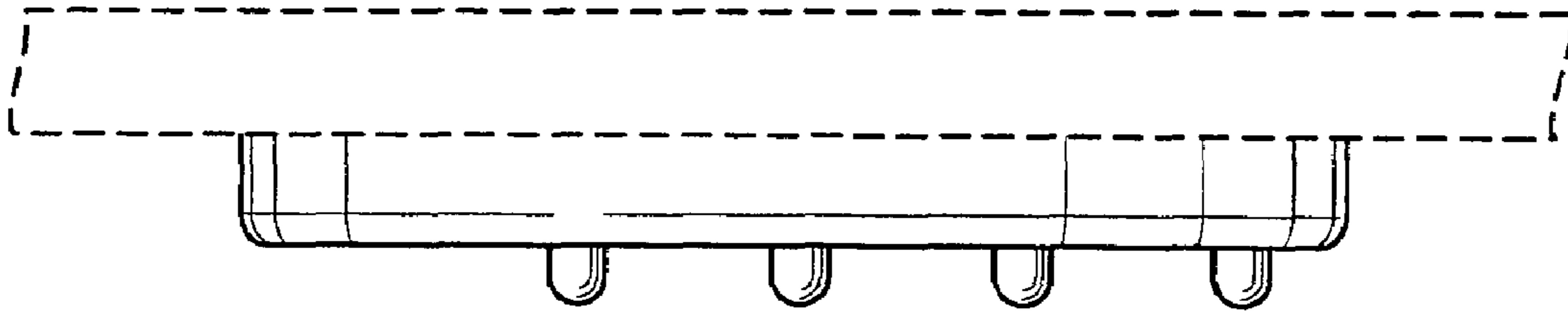


FIG.5

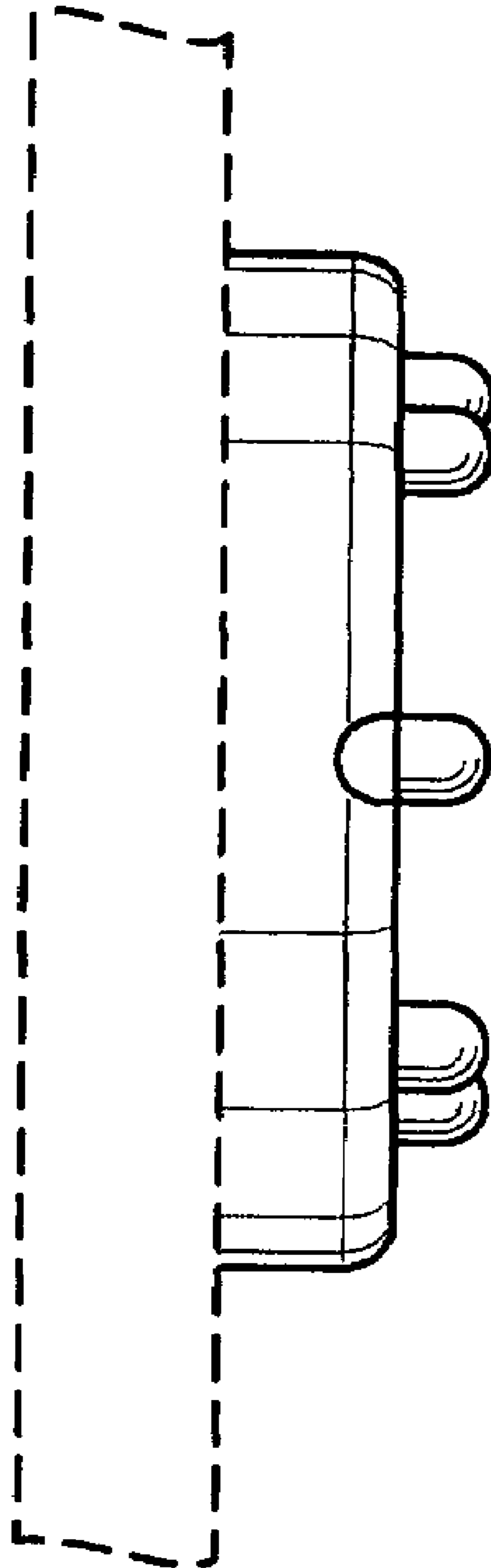


FIG. 6

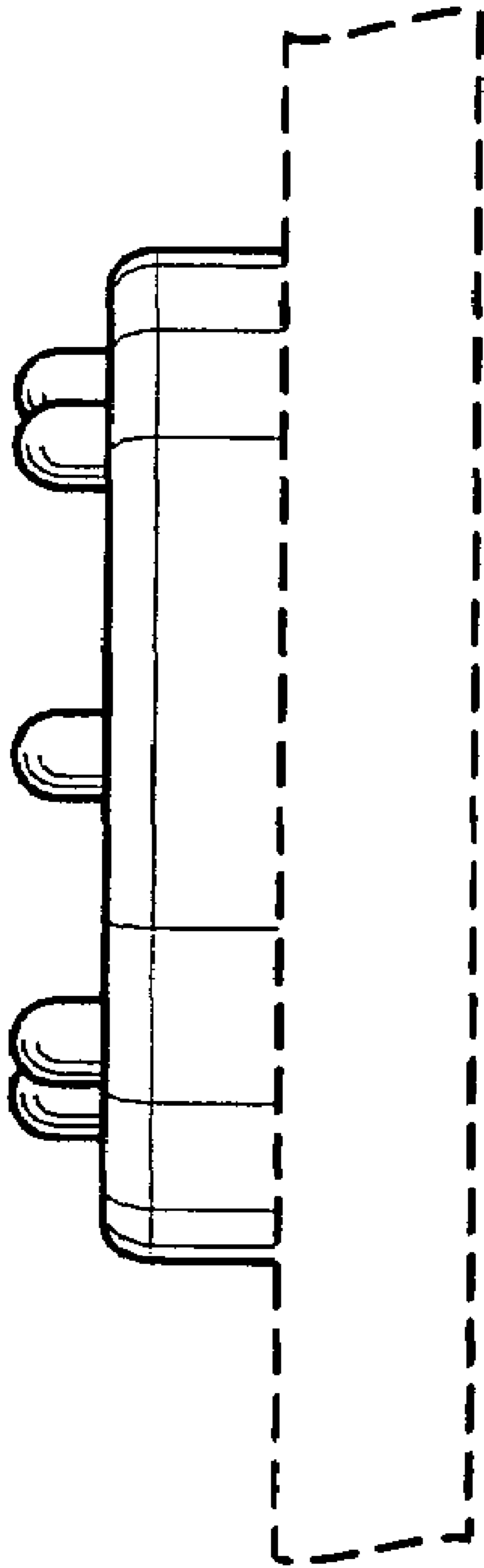


FIG. 7