



US00D551828S

(12) **United States Design Patent**
Winjum

(10) **Patent No.:** **US D551,828 S**

(45) **Date of Patent:** **** Oct. 2, 2007**

(54) **GAITER**

D449,025 S 10/2001 Nicol
6,381,756 B1 5/2002 Smith
6,477,788 B1 11/2002 Chen
6,651,257 B2 11/2003 Smith

(76) Inventor: **Jim G. Winjum**, 3766 Bungalow La.,
Bozeman, MT (US) 59715

(**) Term: **14 Years**

(Continued)

(21) Appl. No.: **29/243,957**

Primary Examiner—Stella Reid
Assistant Examiner—Rashida C. McCoy

(22) Filed: **Dec. 2, 2005**

(74) *Attorney, Agent, or Firm*—Antoinette M. Tease

(51) **LOC (8) Cl.** **02-04**

(57) **CLAIM**

(52) **U.S. Cl.** **D2/901**

The ornamental design for a gaiter, as shown and described.

(58) **Field of Classification Search** D2/901,

D2/910, 911, 943–946; D5/62; 2/59, 242;
36/2 R, 2 A, 89; 602/60; 428/195.1

See application file for complete search history.

DESCRIPTION

(56) **References Cited**

U.S. PATENT DOCUMENTS

13,747	A *	11/1855	Woodward	425/356
1,794,506	A *	3/1931	Anderson	36/2 R
2,406,090	A *	8/1946	Mas	36/2 R
2,532,024	A *	11/1950	Hoffman	36/2 R
3,153,864	A *	10/1964	Brewer	36/2 R
4,001,953	A	1/1977	Fugere et al.		
4,035,860	A	7/1977	Fugere et al.		
D249,398	S *	9/1978	Stewart	D2/901
4,461,098	A *	7/1984	Diegelman	36/2 R
4,586,272	A	5/1986	Forster		
4,748,749	A	6/1988	Colvard		
4,856,207	A	8/1989	Datson		
4,896,437	A	1/1990	Johnson		
5,010,597	A	4/1991	Glover		
D354,615	S *	1/1995	Parker	D2/901
D369,455	S	5/1996	Halvorson		
D376,253	S	12/1996	Johansson		
5,642,573	A *	7/1997	Brown	36/2 R
5,815,948	A	10/1998	Dzielak		
5,887,359	A *	3/1999	Falguere	36/2 R
5,896,676	A	4/1999	Barousse		
D415,874	S	11/1999	Lawrence et al.		
6,148,544	A	11/2000	Keen et al.		
6,185,752	B1	2/2001	Hendersen et al.		

FIG. 1 is a front side perspective view of a gaiter in use condition, showing my new design;

FIG. 2 is a rear side perspective view thereof, in use condition;

FIG. 3 is a reduced open plan view of the outside;

FIG. 4 is a reduced open plan view of the inside;

FIG. 5 is a reduced front view thereof, in use condition;

FIG. 6 is a reduced rear view thereof, in use condition;

FIG. 7 is a reduced side view thereof, in use condition;

FIG. 8 is a reduced opposite side view thereof, in use condition;

FIG. 9 is an enlarged top view thereof, in use condition;

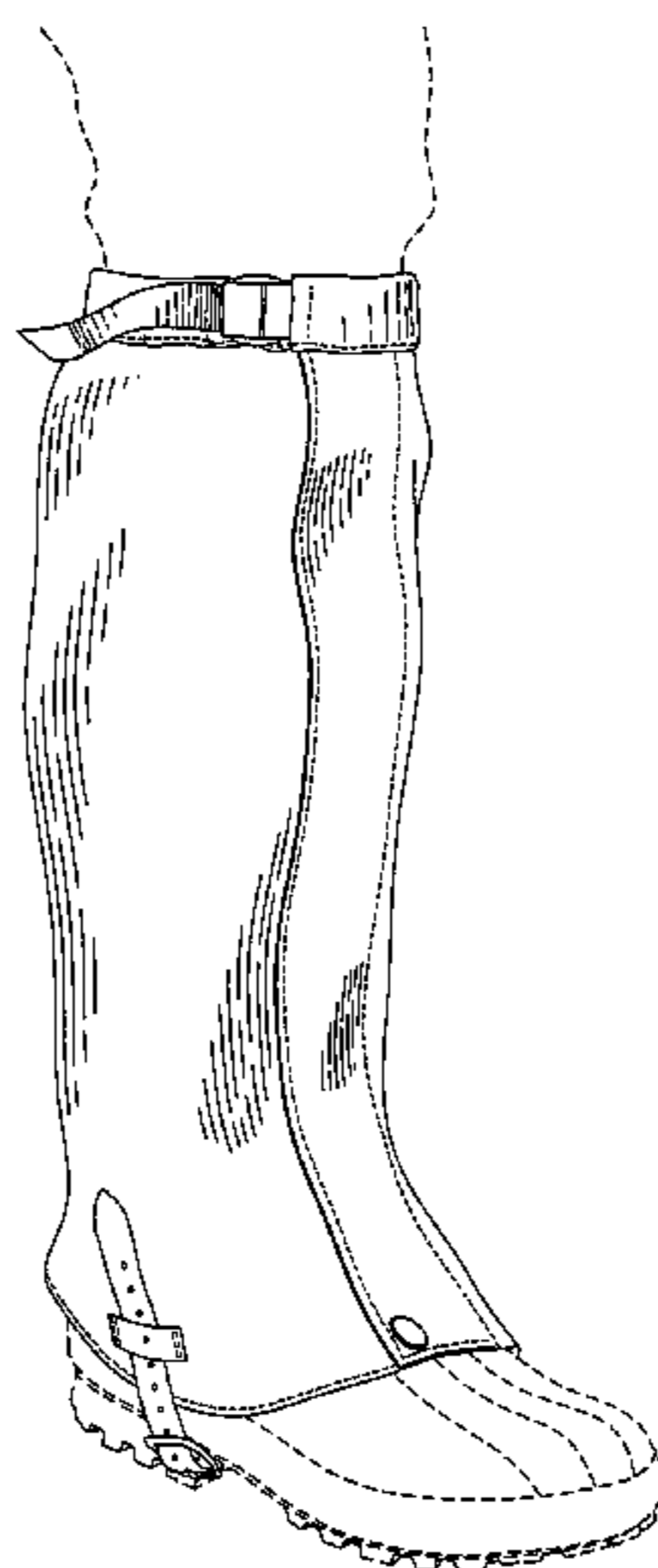
FIG. 10 is an enlarged cut-out bottom view thereof, in use condition;

FIG. 11 is an enlarged cut-out detail view of the closure mechanism at the bottom front of the gaiter; and,

FIG. 12 is an enlarged detail view of the shoelace hook at the bottom front of the gaiter.

The broken line showing of the leg is included for the purpose of illustrating the gaiter in use condition and forms no part of the claimed design.

1 Claim, 5 Drawing Sheets



US D551,828 S

Page 2

U.S. PATENT DOCUMENTS

6,785,983 B2 9/2004 Challe
6,961,964 B2 11/2005 Blenkarn
2002/0120977 A1 9/2002 Smith

2003/0093918 A1 5/2003 Challe
2003/0097765 A1 5/2003 Chen
2005/0034221 A1 2/2005 Ridpath et al.

* cited by examiner

Figure 1

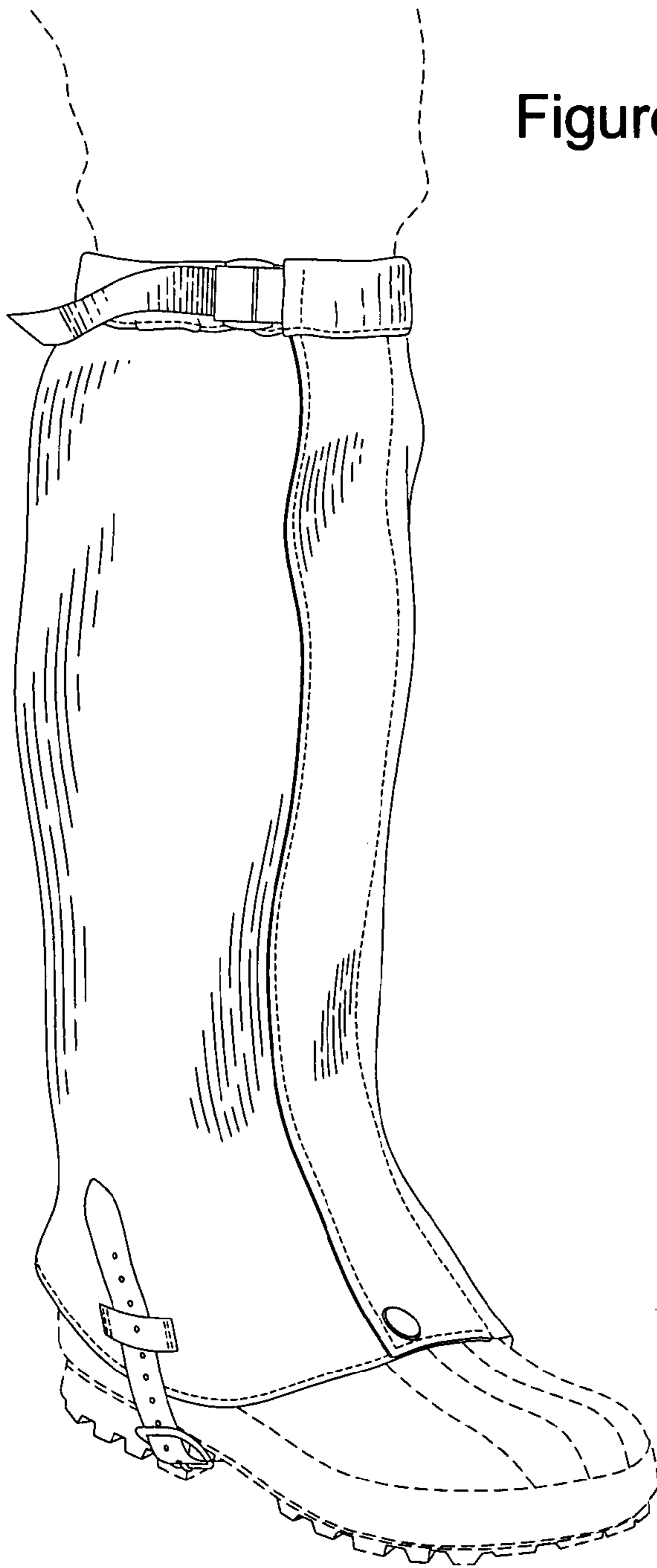
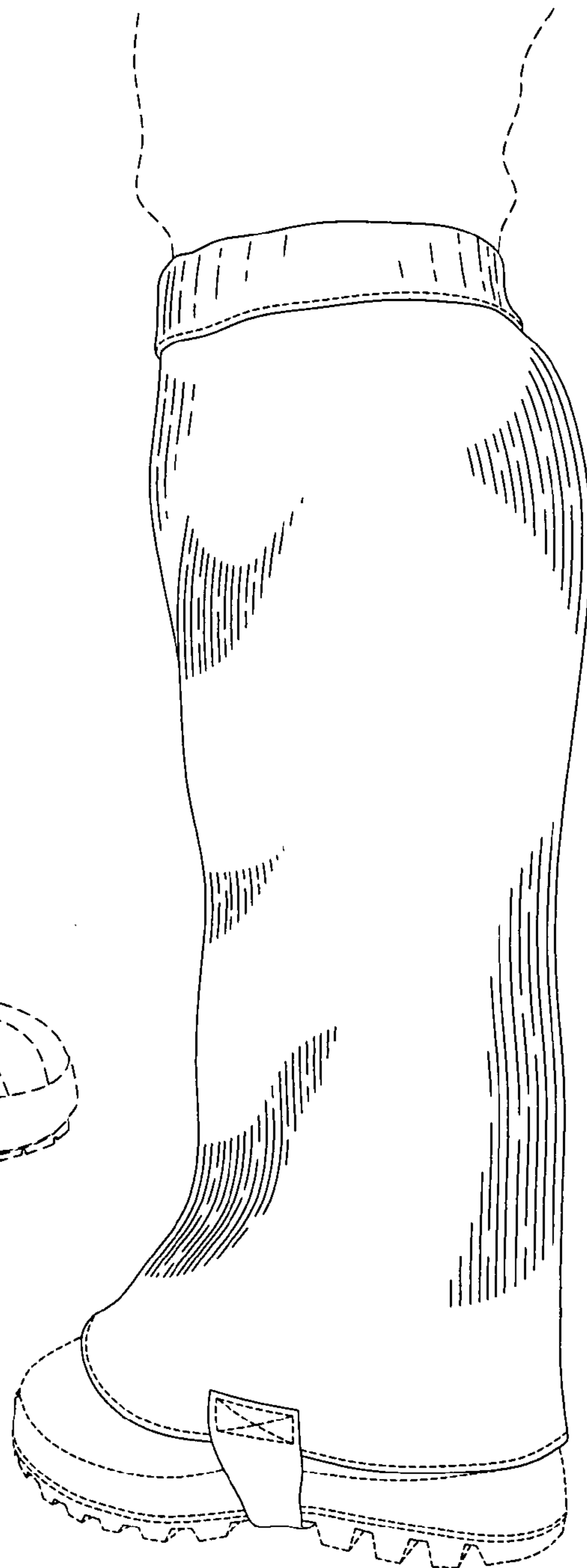


Figure 2



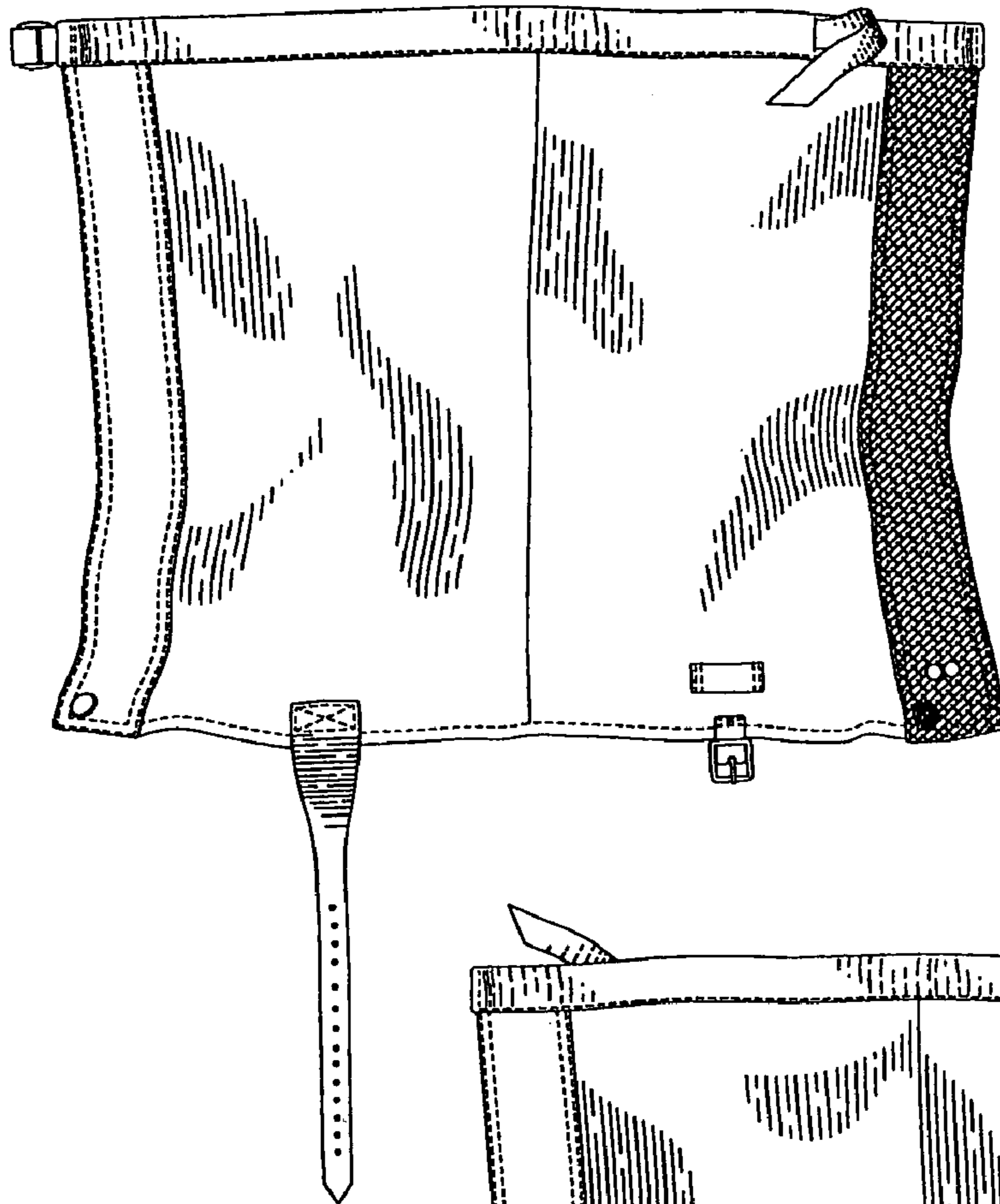


Figure 3

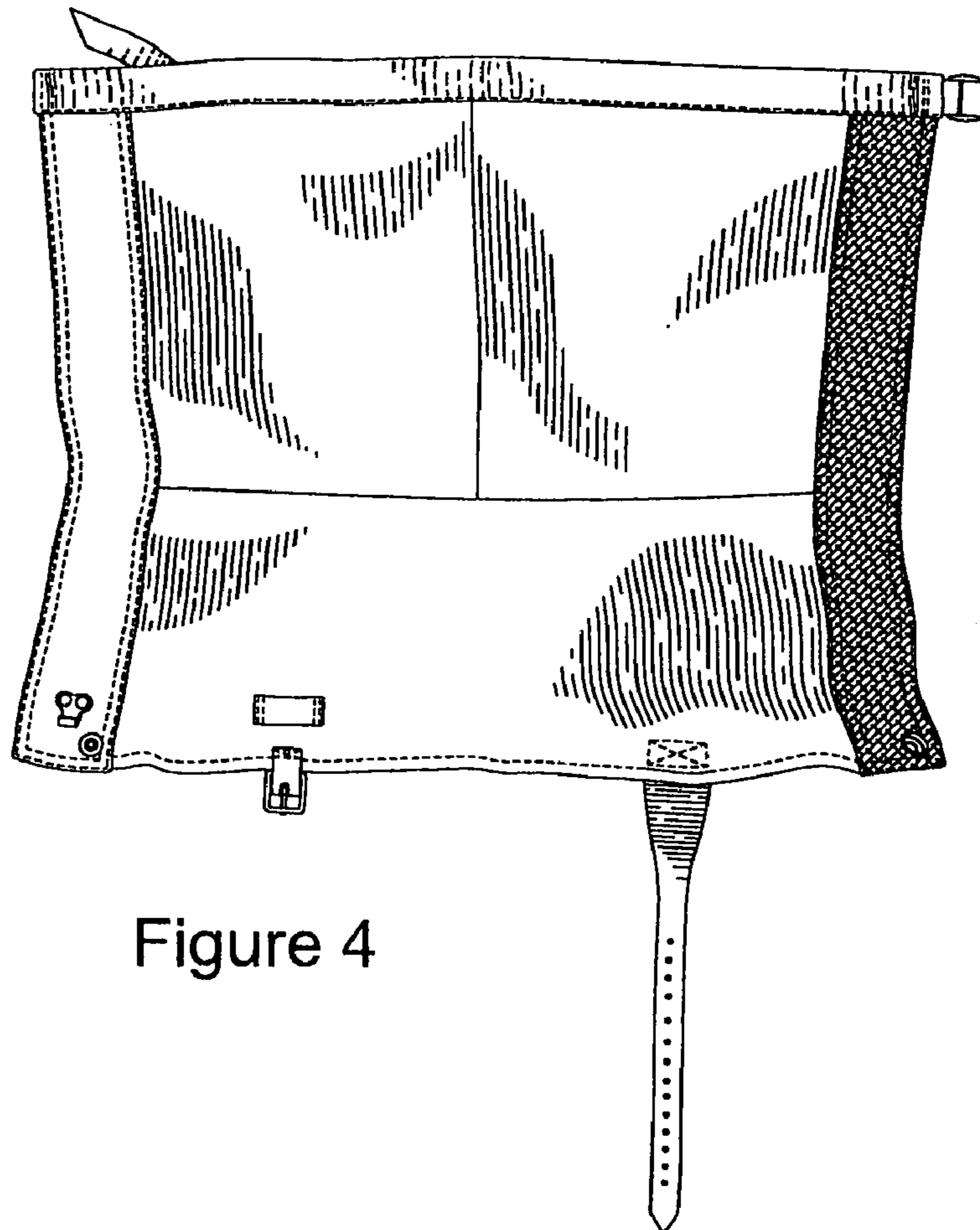
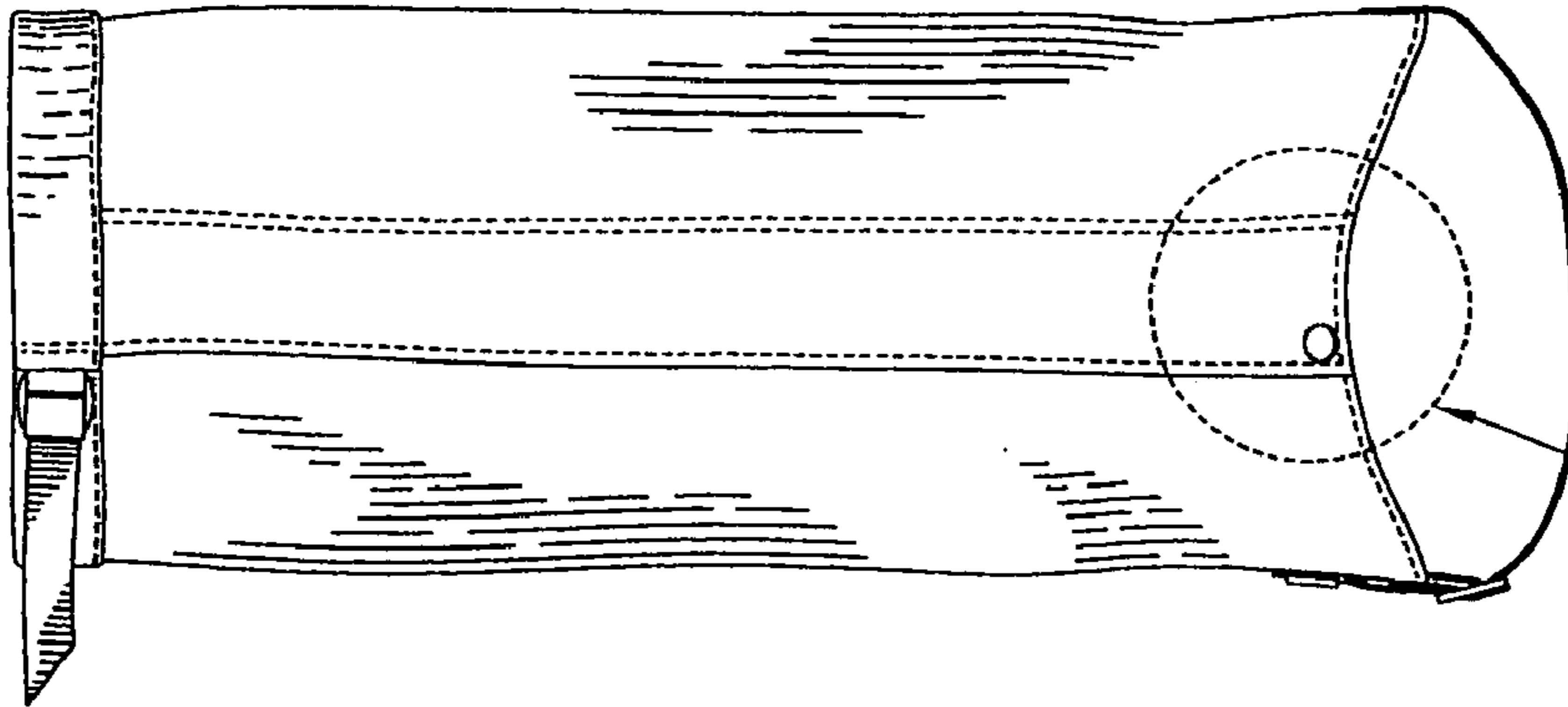


Figure 4

Figure 5



11, 12

Figure 7

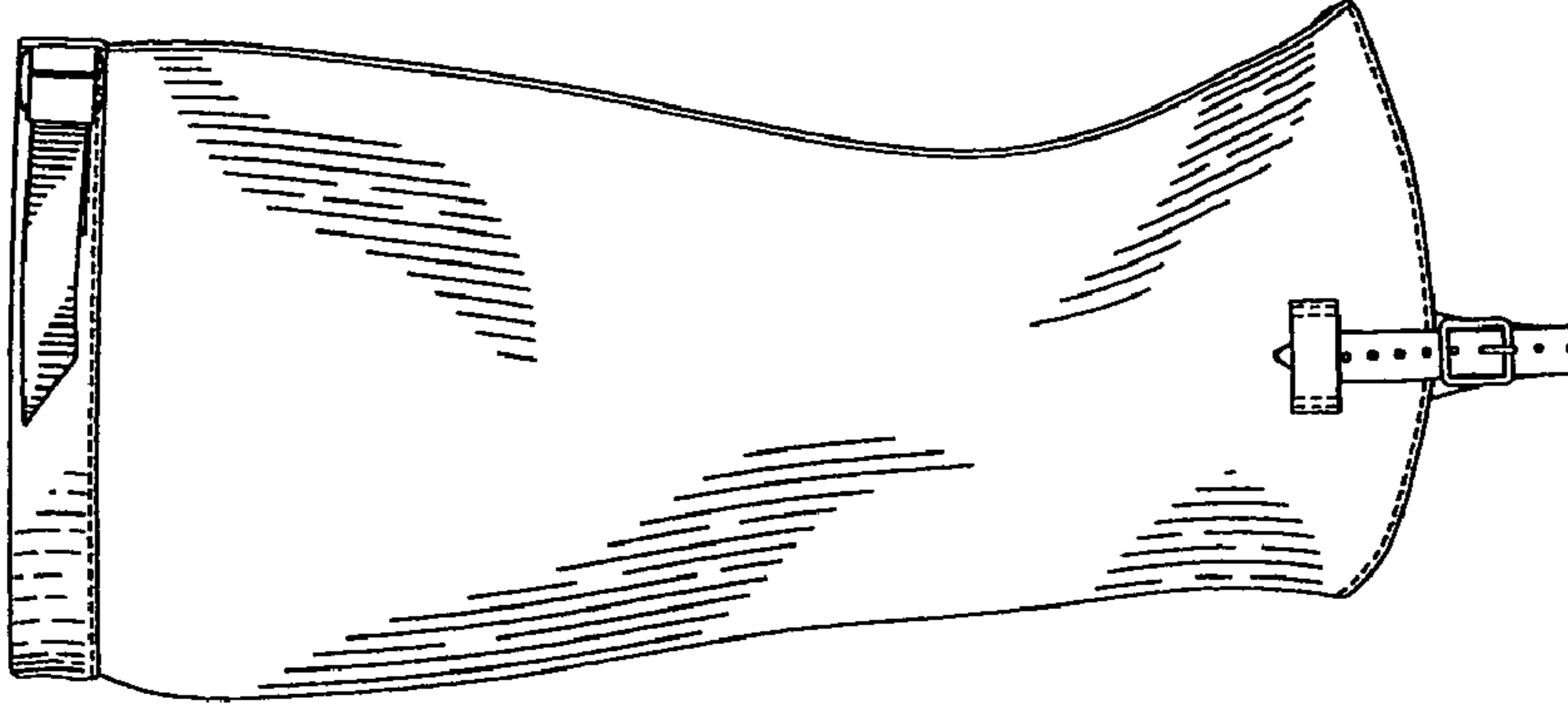


Figure 8

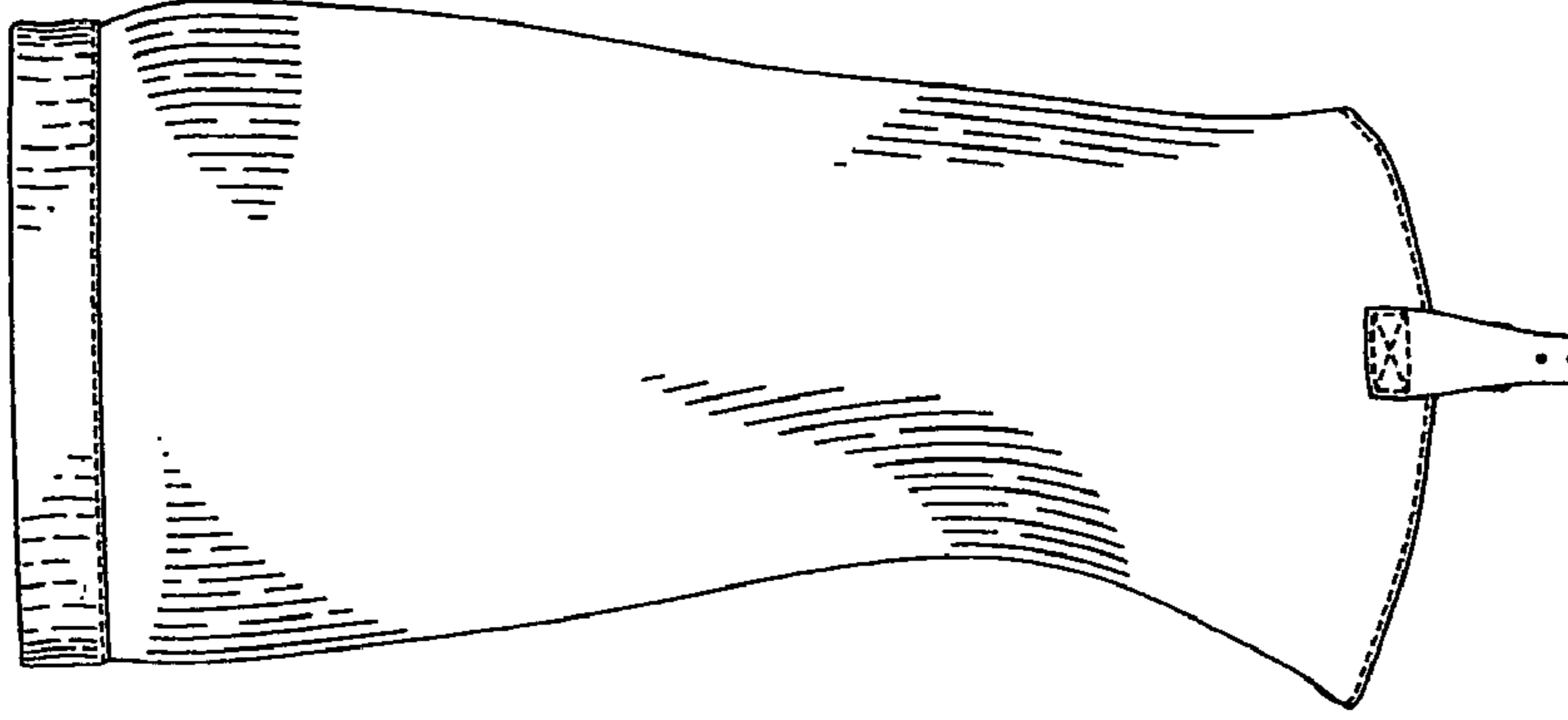


Figure 9

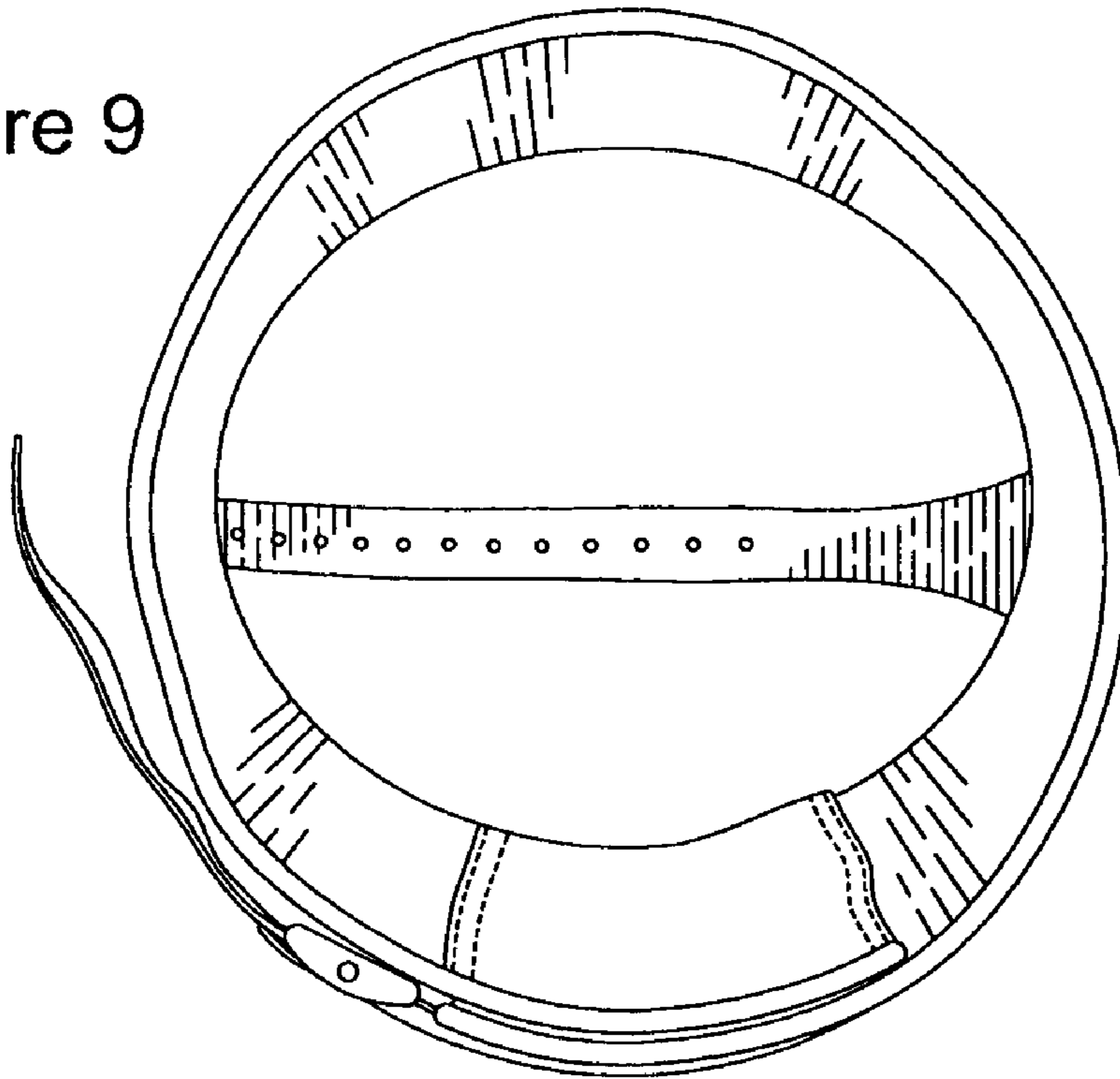


Figure 10

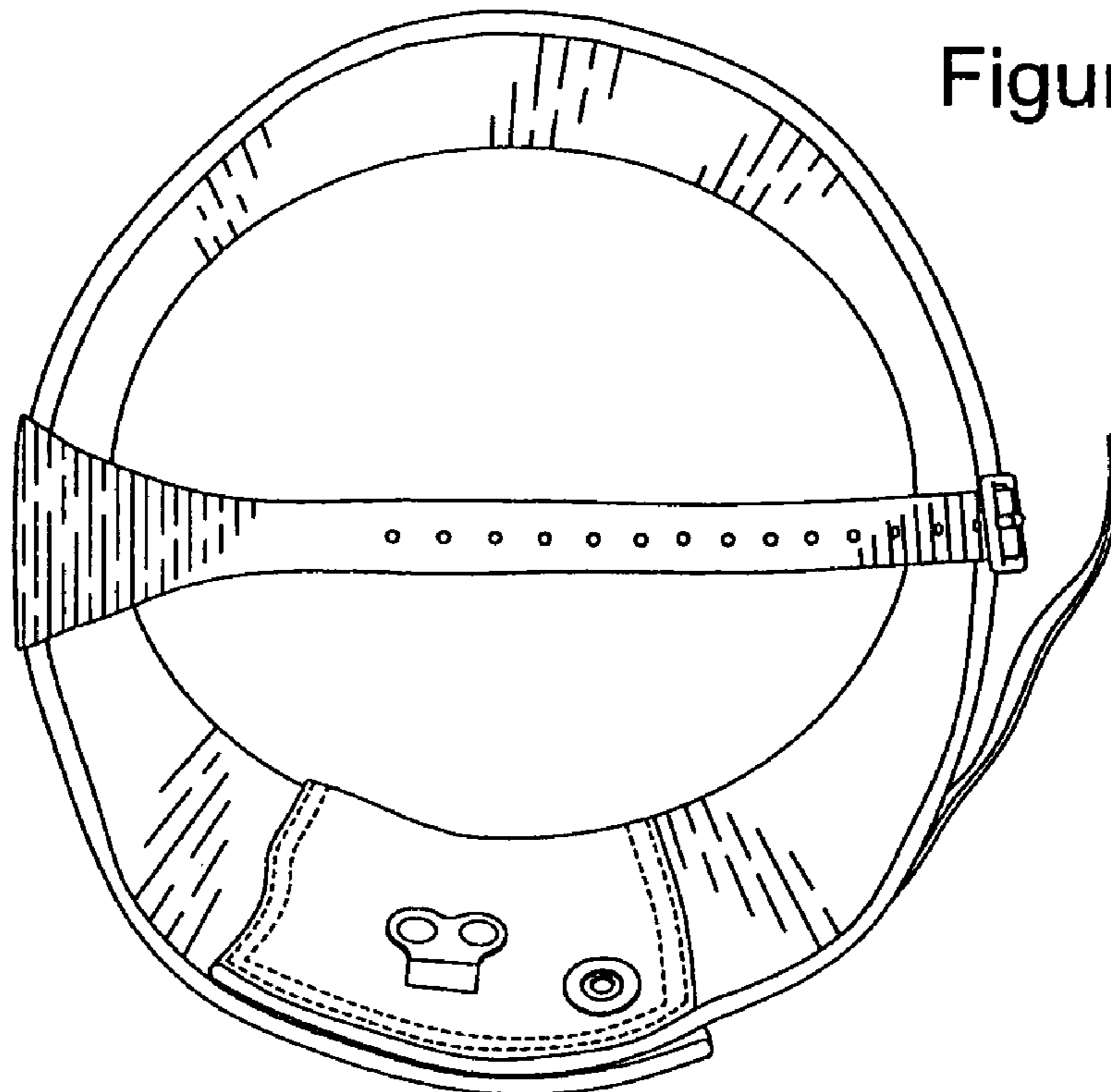


Figure 11

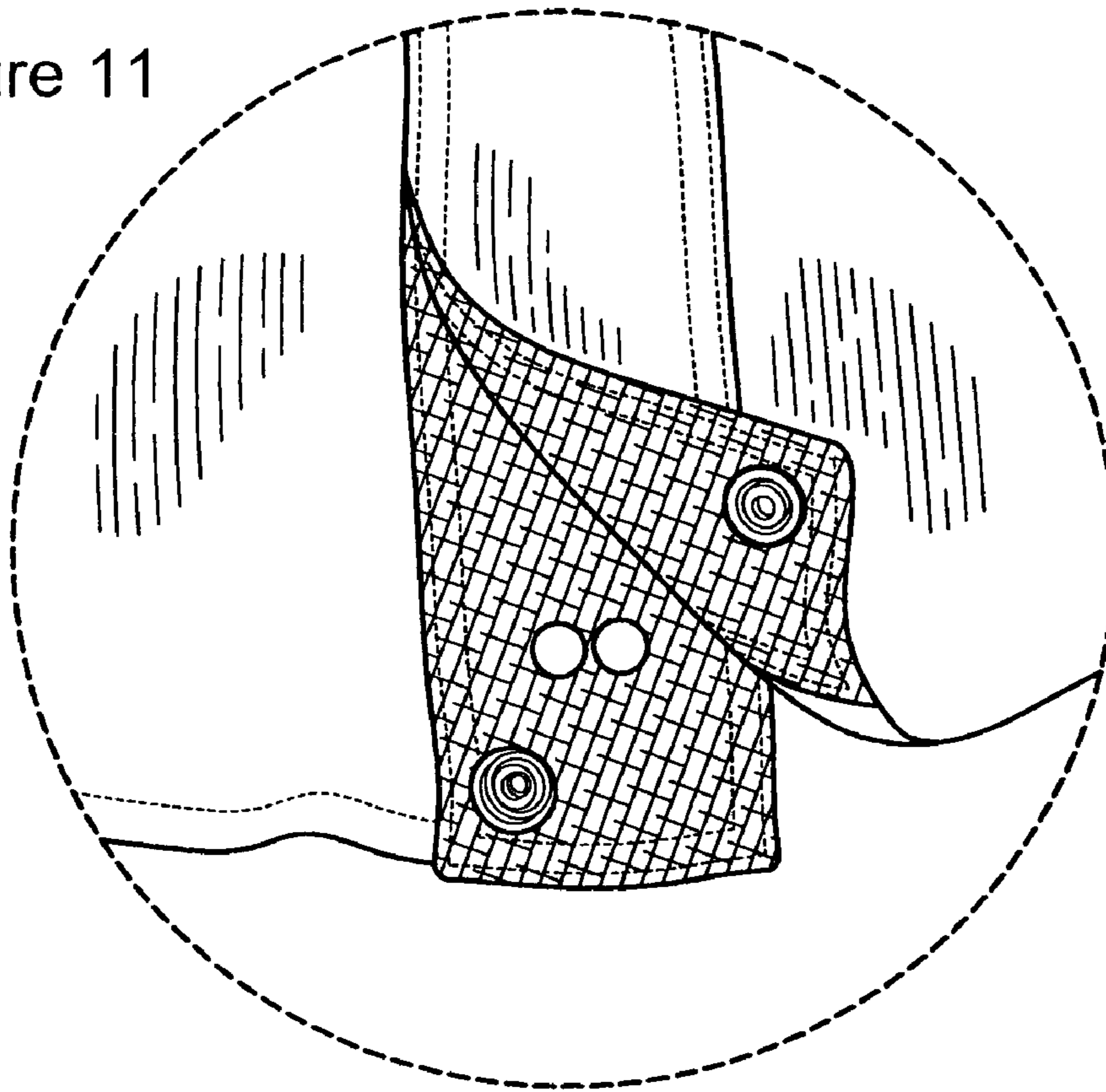


Figure 12

