



US00D551815S

(12) **United States Design Patent**
Schroeter

(10) **Patent No.:** **US D551,815 S**

(45) **Date of Patent:** **** Sep. 25, 2007**

(54) **ROBOT VACUUM CLEANER WITH
LOADING STATION**

(75) Inventor: **Joerg Schroeter**, Groebenzell (DE)

(73) Assignee: **BSH Bosch und Siemens Hausgeraete
GmbH**, Munich (DE)

(**) Term: **14 Years**

(21) Appl. No.: **29/254,806**

(22) Filed: **Feb. 27, 2006**

(30) **Foreign Application Priority Data**

Aug. 29, 2005 (EM) 000400288

(51) **LOC (8) Cl.** **15-05**

(52) **U.S. Cl.** **D32/21**

(58) **Field of Classification Search** D32/21,
D32/23-25, 28, 31; 15/319-320, 327.1,
15/327.2, 327.6, 327.7, 358, 340.1; 901/1,
901/47; 700/245, 259; 318/568.12; 180/168,
180/169, 204, 274; 701/23
See application file for complete search history.

(56) **References Cited**

U.S. PATENT DOCUMENTS

6,142,252 A * 11/2000 Kinto et al. 180/204
6,493,613 B2 * 12/2002 Peless et al. 701/23
D503,251 S * 3/2005 Christianson D32/21
6,883,201 B2 * 4/2005 Jones et al. 15/319
7,031,805 B2 * 4/2006 Lee et al. 700/245
D524,495 S * 7/2006 Ljunggren D32/21
D526,753 S * 8/2006 Tani et al. D32/21

D527,854 S * 9/2006 Marzynski D32/21
2004/0244138 A1 * 12/2004 Taylor et al. 15/319
2005/0015914 A1 * 1/2005 You et al. 15/319
2006/0085105 A1 * 4/2006 Chiu et al. 701/23
2006/0196003 A1 * 9/2006 Song et al. 15/319
2006/0236492 A1 * 10/2006 Sudo 15/319

OTHER PUBLICATIONS

Roomba Discovery Robotic Floor Vac [online], [retrieved on Feb. 27, 2007]. Retrieved from the Internet <<http://web.archive.org/web/20050203182208/www.sharperimage.com/us/en/catalog/productview/sku=IR111/hppps=10>>.*

* cited by examiner

Primary Examiner—Ruth McInroy

(74) *Attorney, Agent, or Firm*—Russell W. Warnock; Craig J. Loest

(57) **CLAIM**

The ornamental design for a robot vacuum cleaner with loading station, as shown and described.

DESCRIPTION

FIG. 1 is a perspective view of a robot vacuum cleaner with loading station showing my new design;

FIG. 2 is a right view thereof;

FIG. 3 is a left view thereof;

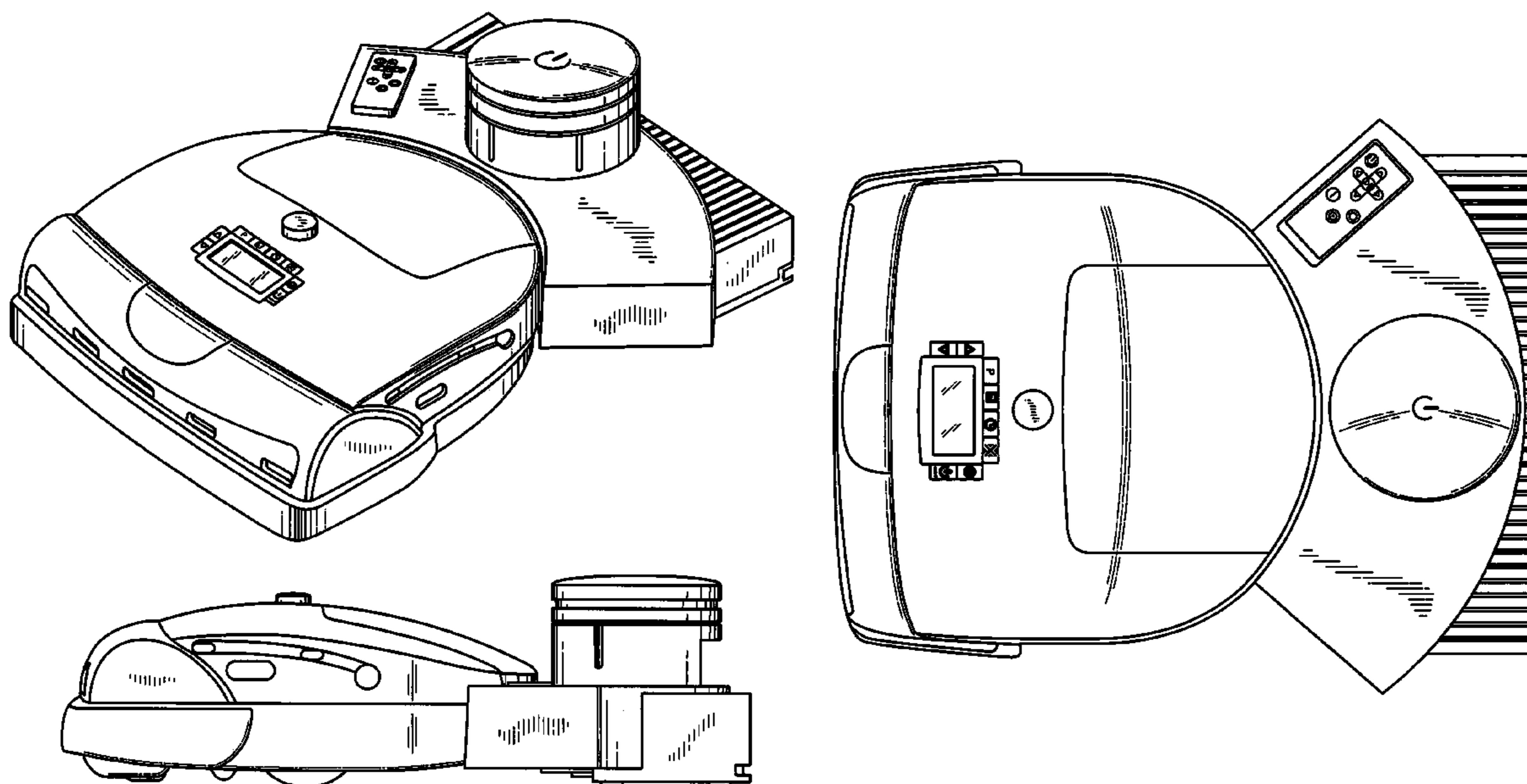
FIG. 4 is a front view thereof;

FIG. 5 is a rear view thereof;

FIG. 6 is a top view thereof; and,

FIG. 7 is a bottom view thereof.

1 Claim, 5 Drawing Sheets



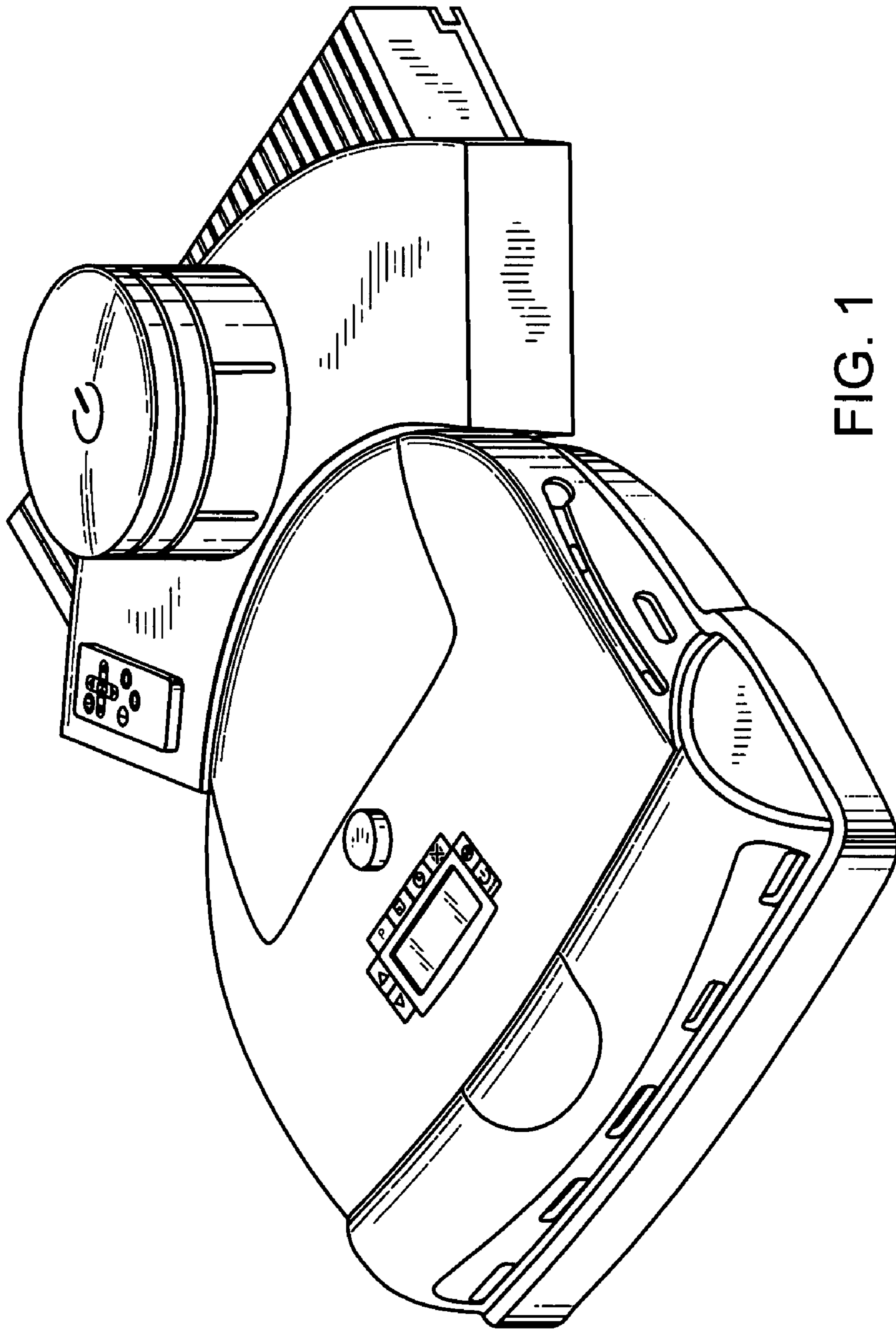


FIG. 1

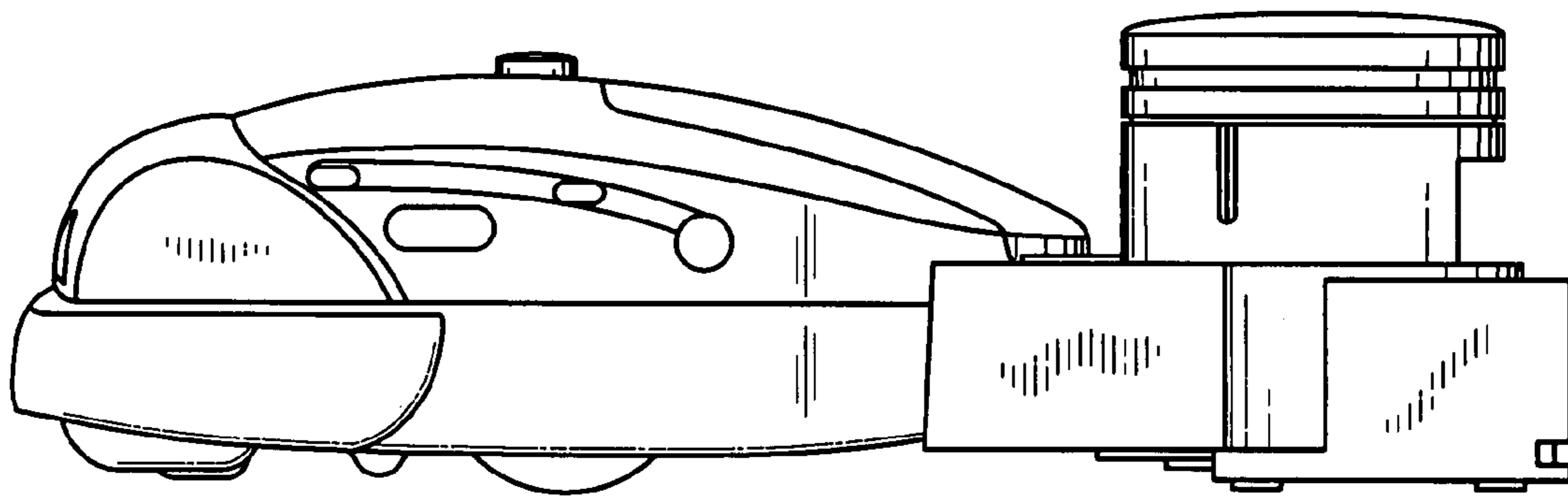


FIG. 2

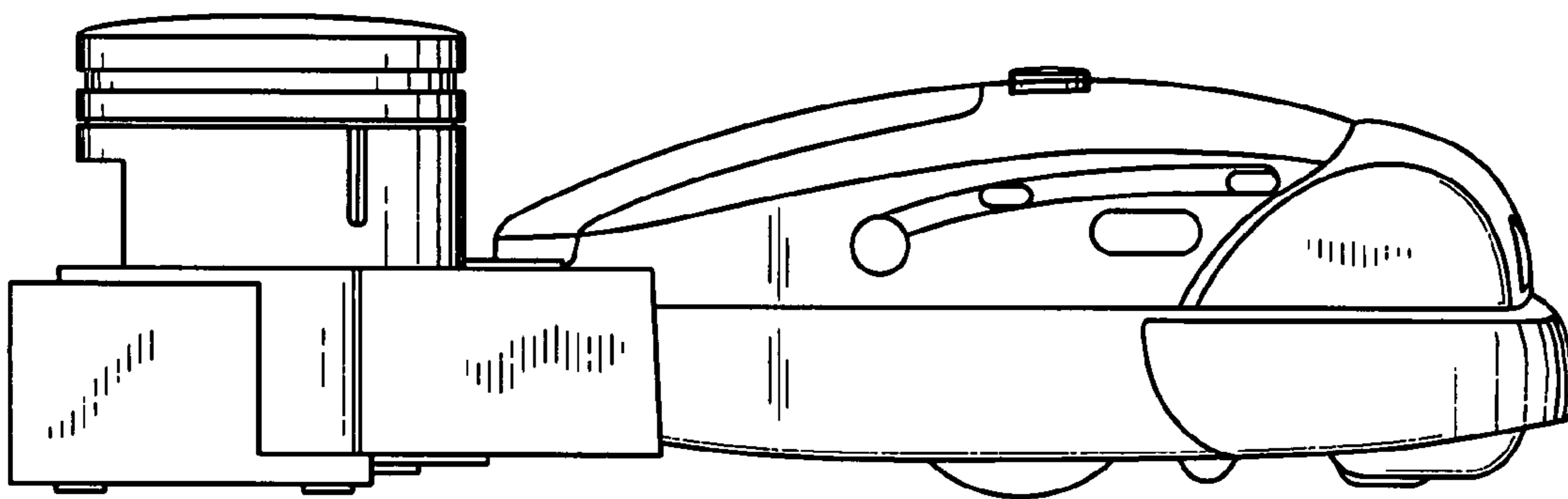


FIG. 3

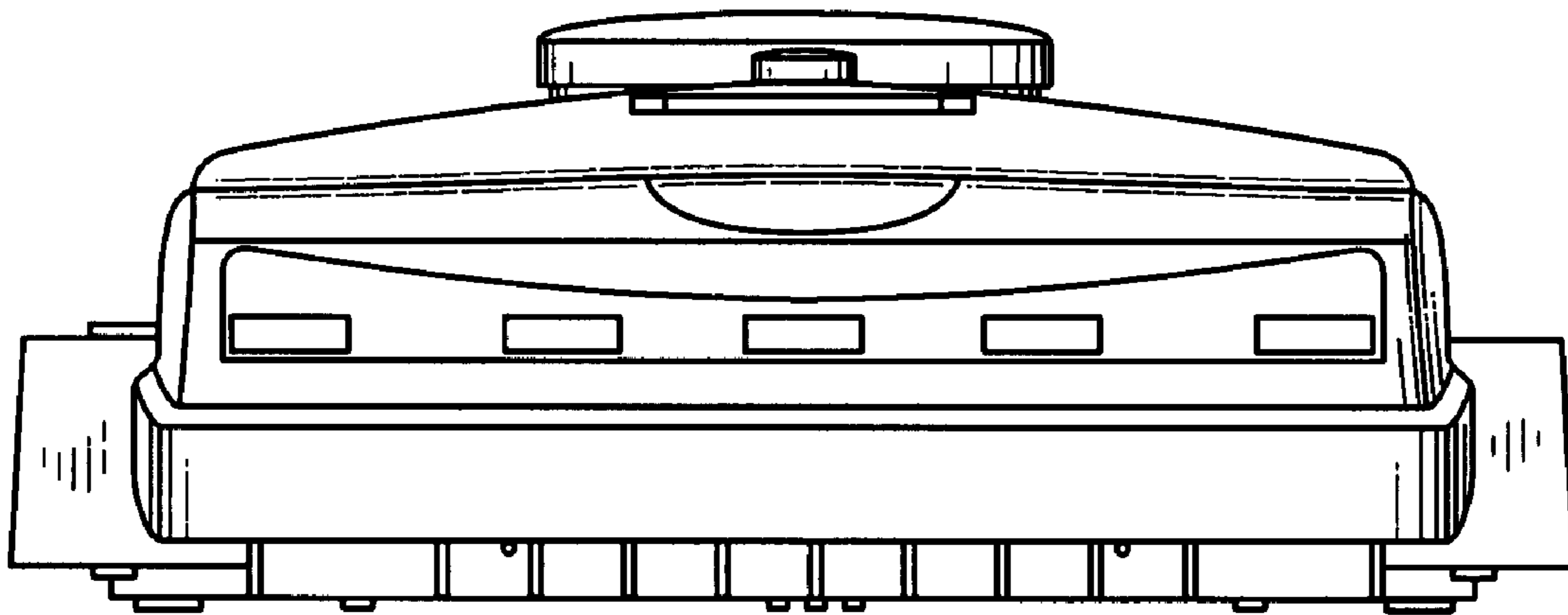


FIG. 4

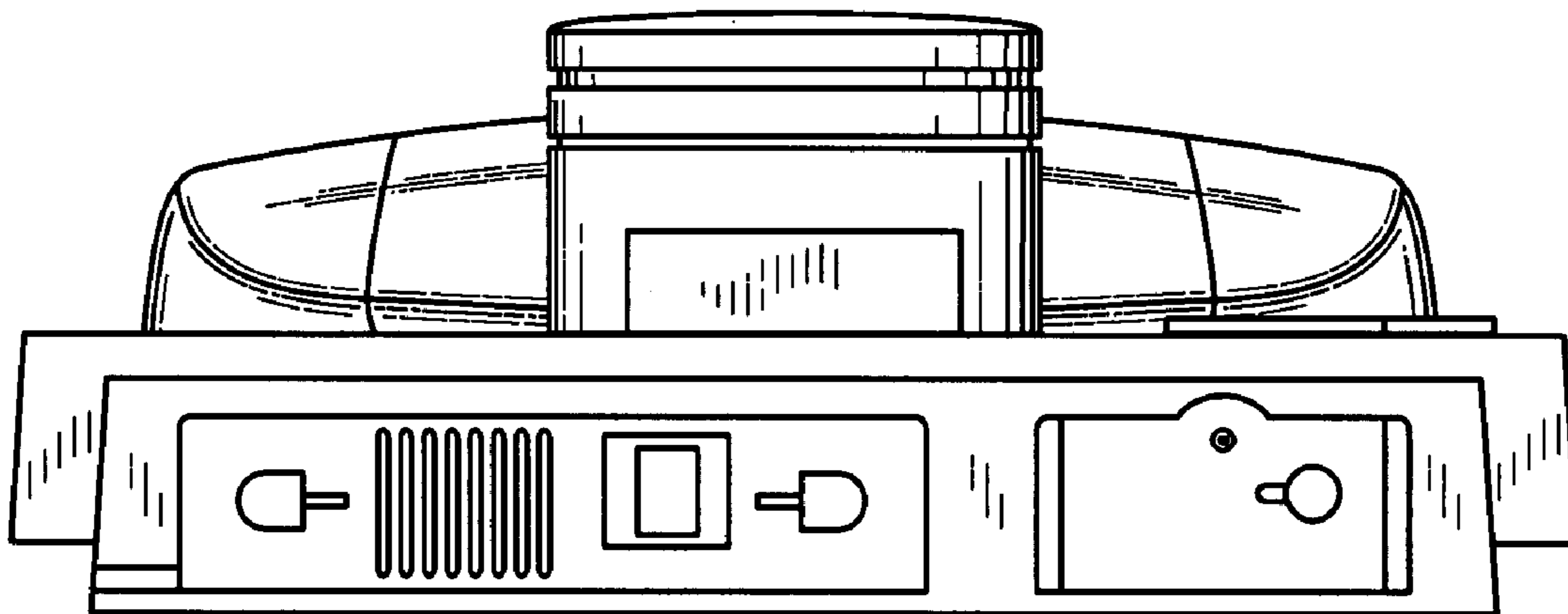


FIG. 5

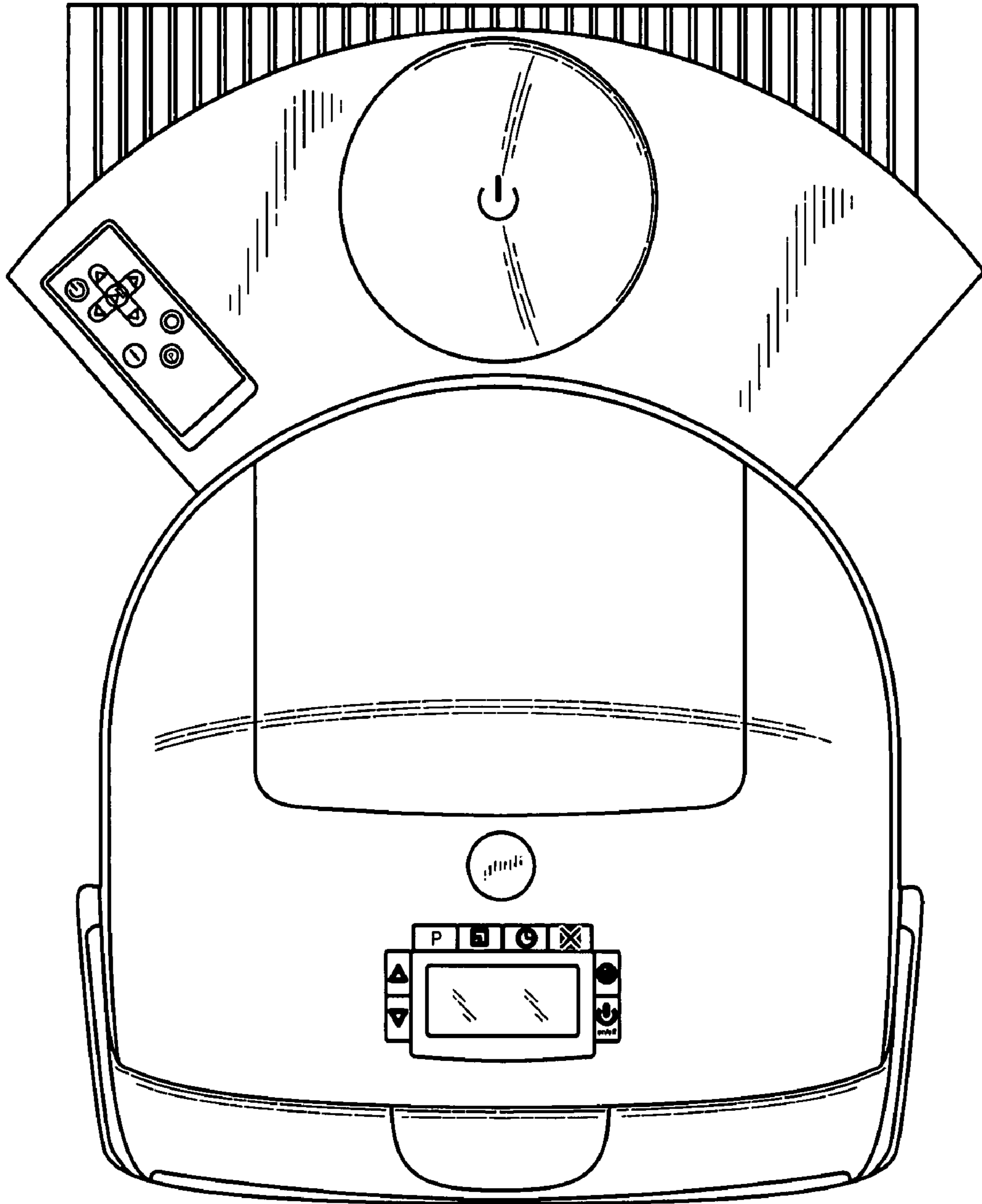


FIG. 6

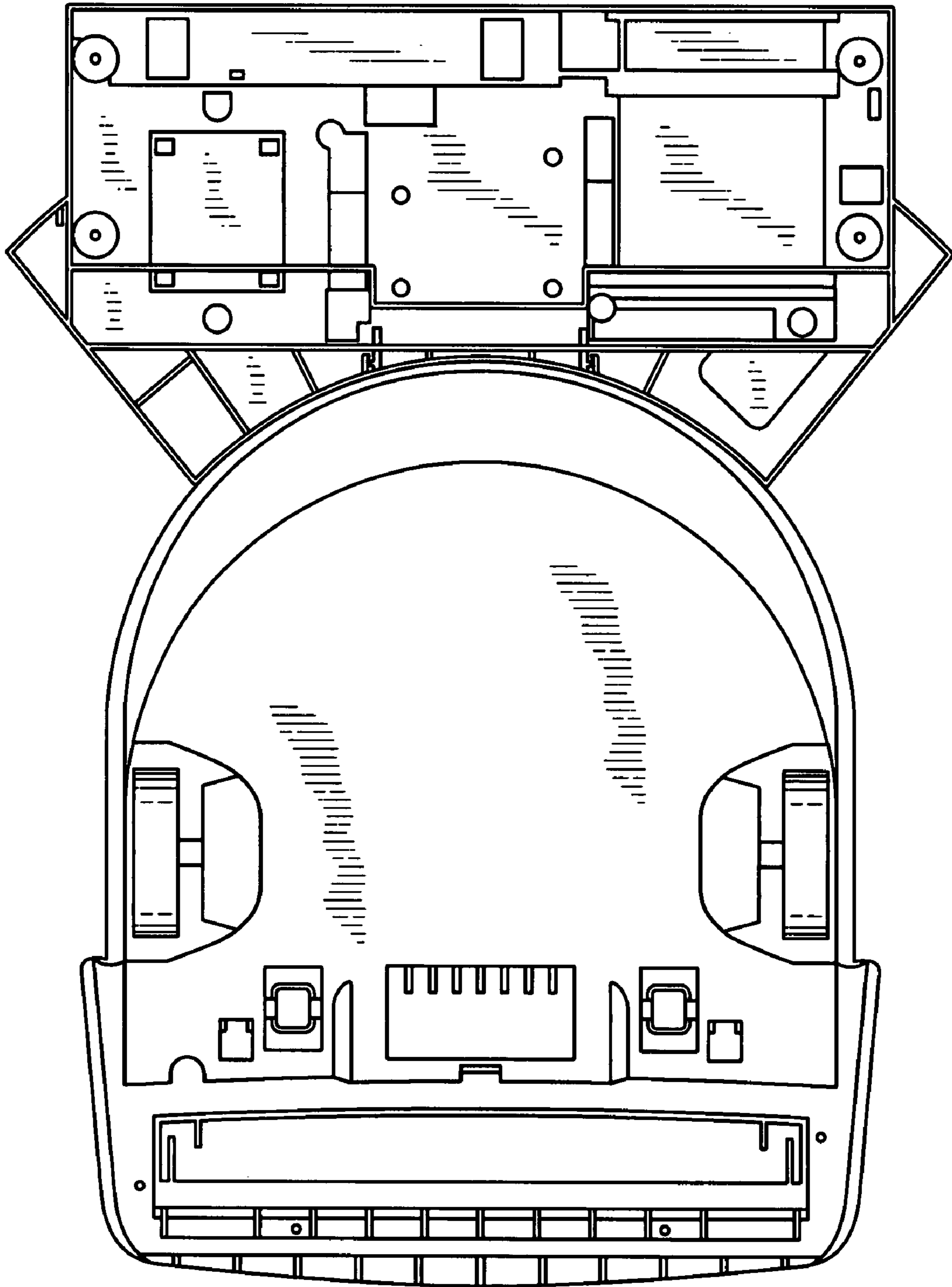


FIG. 7