



US00D551814S

(12) **United States Design Patent**
Renner

(10) **Patent No.:** **US D551,814 S**

(45) **Date of Patent:** **** Sep. 25, 2007**

(54) **HIGH PRESSURE CLEANING APPARATUS**

D496,503 S * 9/2004 Chen D32/16
D532,166 S * 11/2006 Reverberi D32/4

(75) Inventor: **Reinhard Renner**, Esslingen (DE)

(73) Assignee: **Alfred Kaercher GmbH & Co. KG**,
Winnenden (DE)

(**) Term: **14 Years**

(21) Appl. No.: **29/263,828**

(22) Filed: **Jul. 28, 2006**

(30) **Foreign Application Priority Data**

Feb. 1, 2006 (EM) 000473574

(51) **LOC (8) Cl.** **15-05**

(52) **U.S. Cl.** **D32/15**

(58) **Field of Classification Search** D32/1,
D32/15, 16, 25, 31, 21, 22; 15/3, 323, 403;
134/200, 103.2, 199, 201; 239/146-158
See application file for complete search history.

(56) **References Cited**

U.S. PATENT DOCUMENTS

D481,838 S * 11/2003 Renner D32/15
D488,596 S * 4/2004 Cattaneo D32/15
D489,497 S * 5/2004 Cattaneo D32/15
D489,498 S * 5/2004 Cattaneo D32/15
D490,196 S * 5/2004 Lanfredi D32/15
D490,948 S * 6/2004 Cattaneo D32/15

OTHER PUBLICATIONS

Extract of Alfred Kaercher GmbH & Co. KG 2003 catalog, pp.
10-14, 46 and 50 (2003).

Extract of Alfred Kaercher GmbH & Co. KG 2005 catalog, pp. 8,
9, 67, 68, and 71-73 (2005).

* cited by examiner

Primary Examiner—Louis S. Zarfaz

Assistant Examiner—Kathleen Sims

(74) *Attorney, Agent, or Firm*—Lipsitz & McAllister, LLC

(57) **CLAIM**

The ornamental design for a high pressure cleaning appa-
ratus, as shown and described.

DESCRIPTION

FIG. 1 is a front elevational view of the high pressure
cleaning apparatus showing my new design;

FIG. 2 is a left side elevational view of the design;

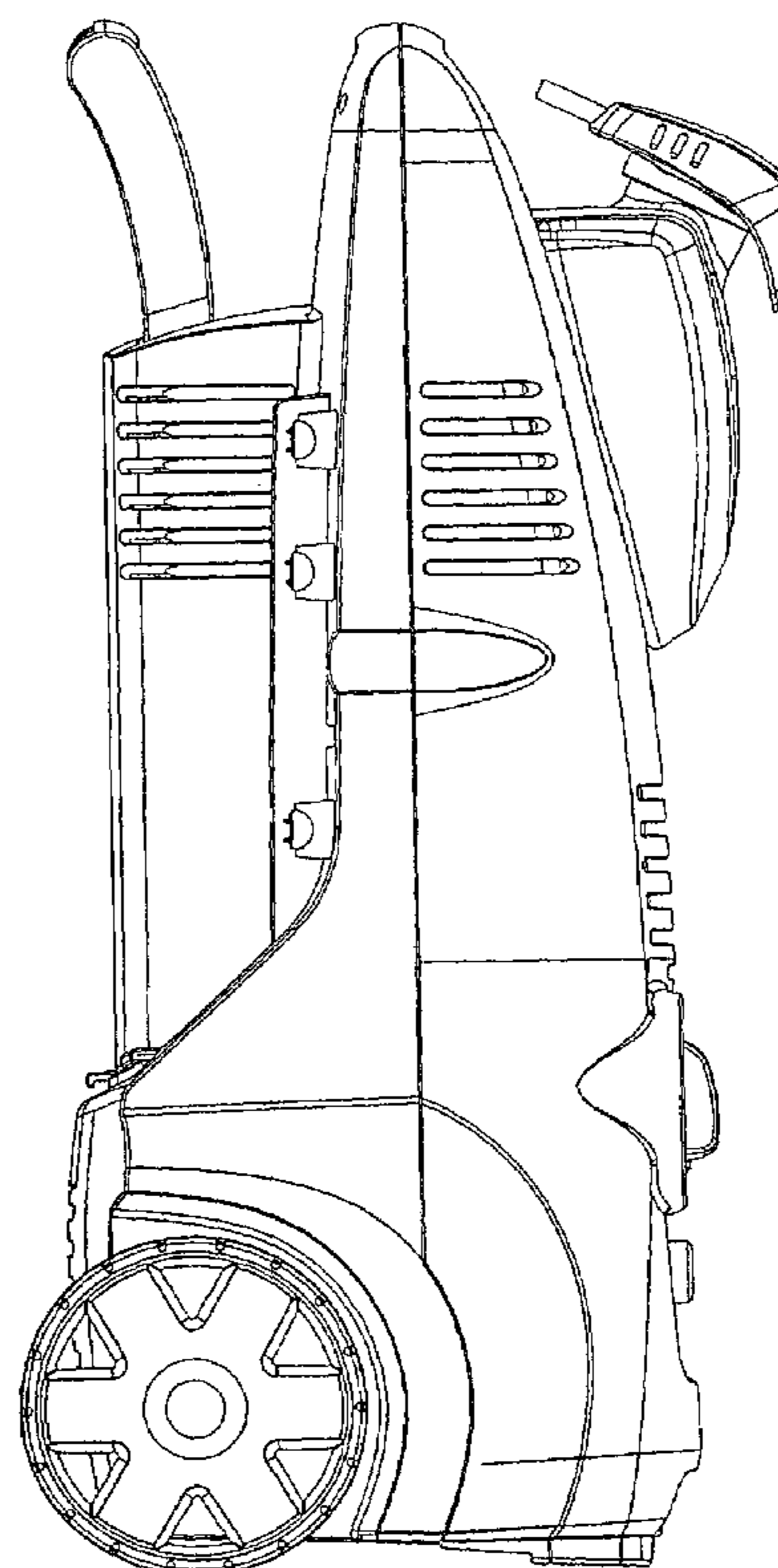
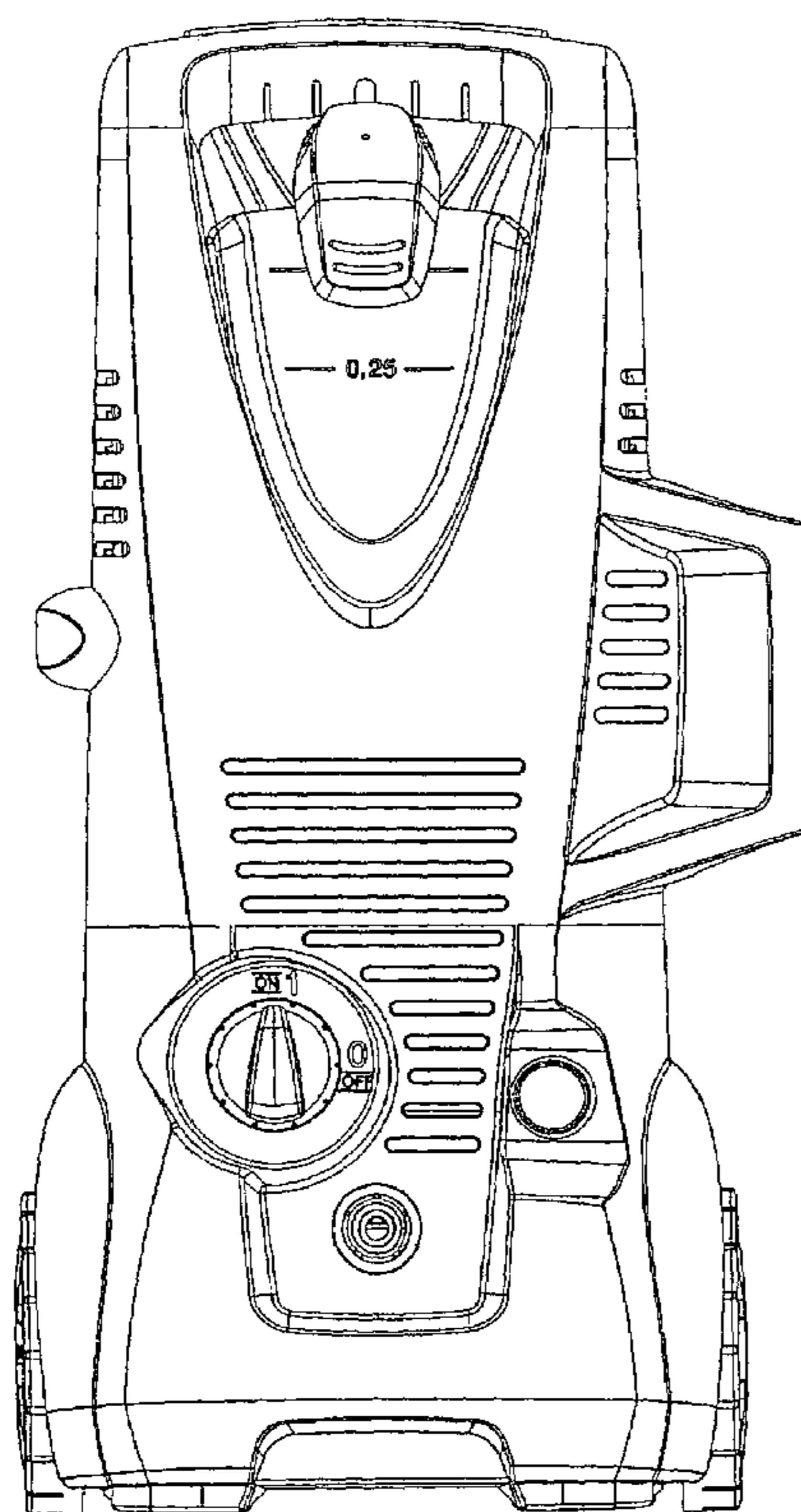
FIG. 3 is a right side elevational view of the design;

FIG. 4 is a rear elevational view of the design;

FIG. 5 is a top plan view of the design; and,

FIG. 6 is a bottom plan view of the design.

1 Claim, 6 Drawing Sheets



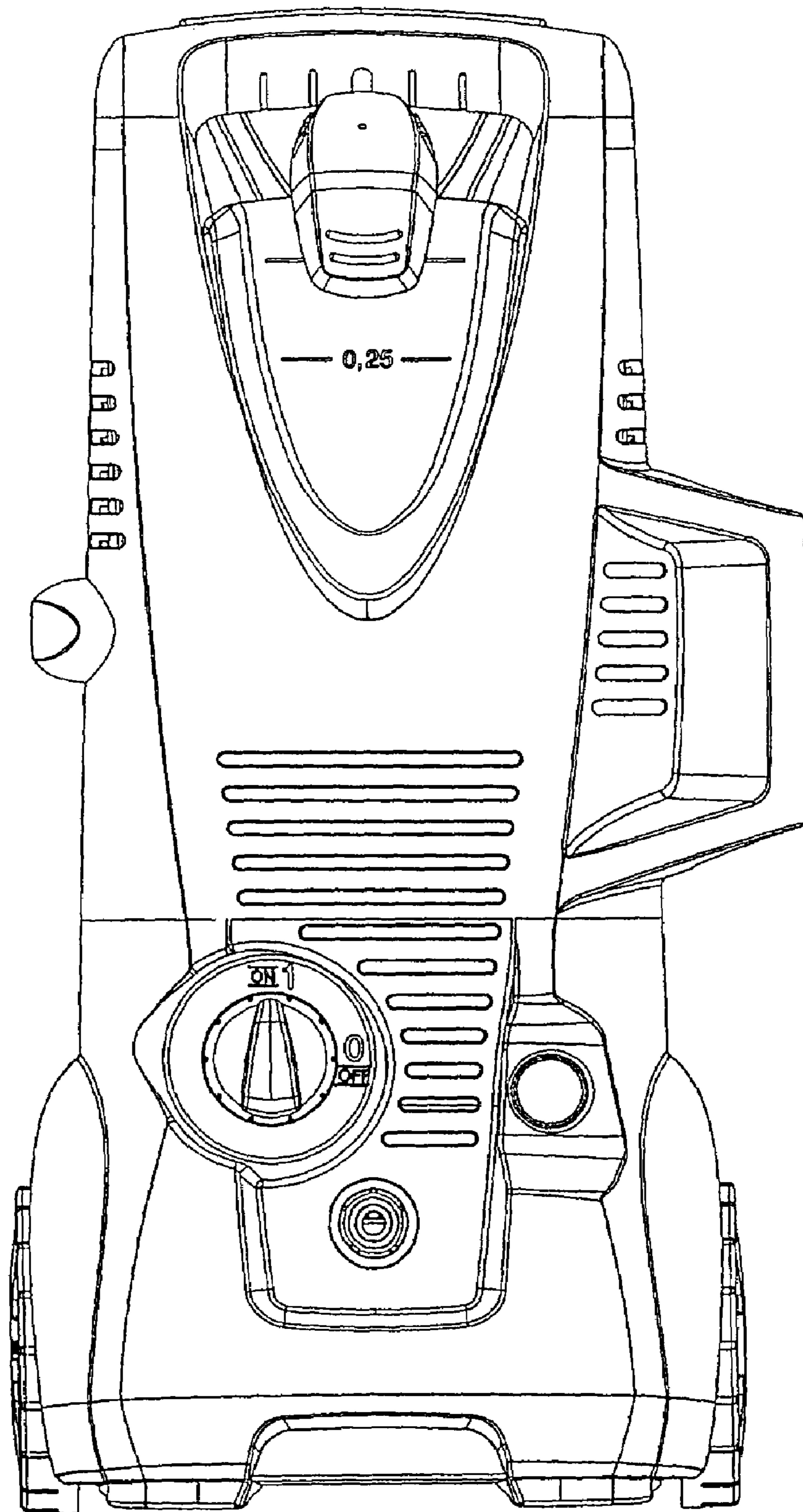


FIG. 1

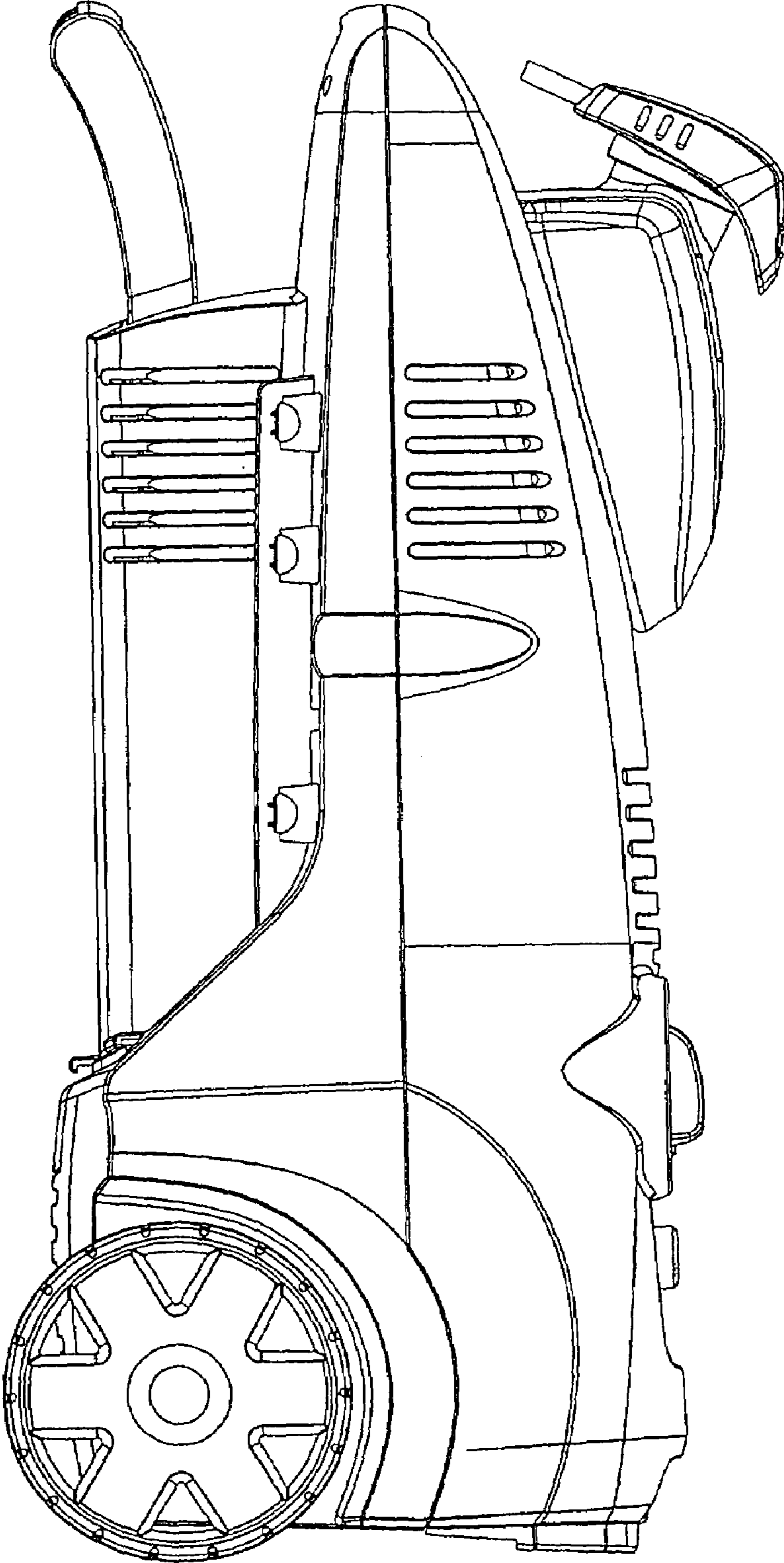


FIG. 2

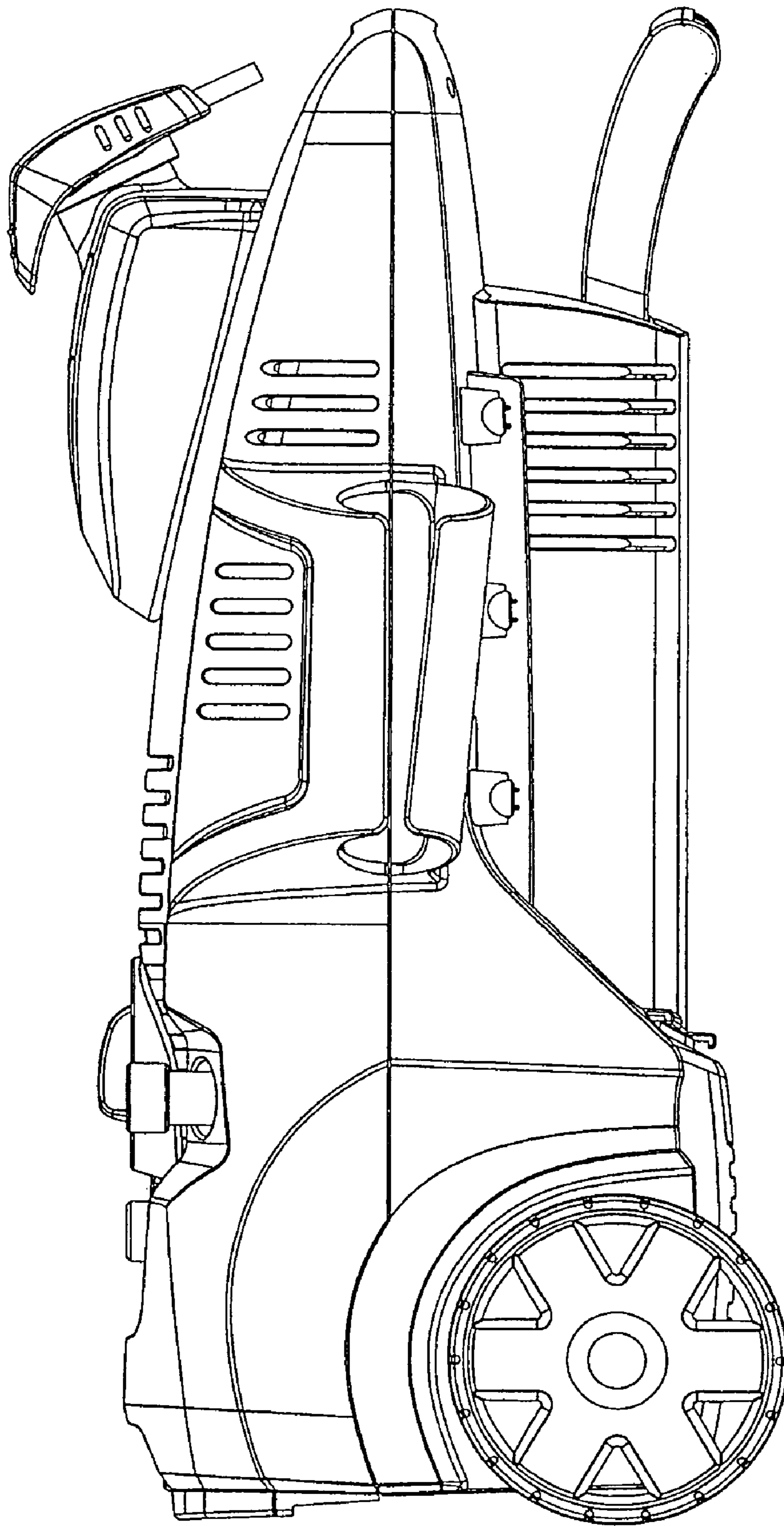


FIG. 3

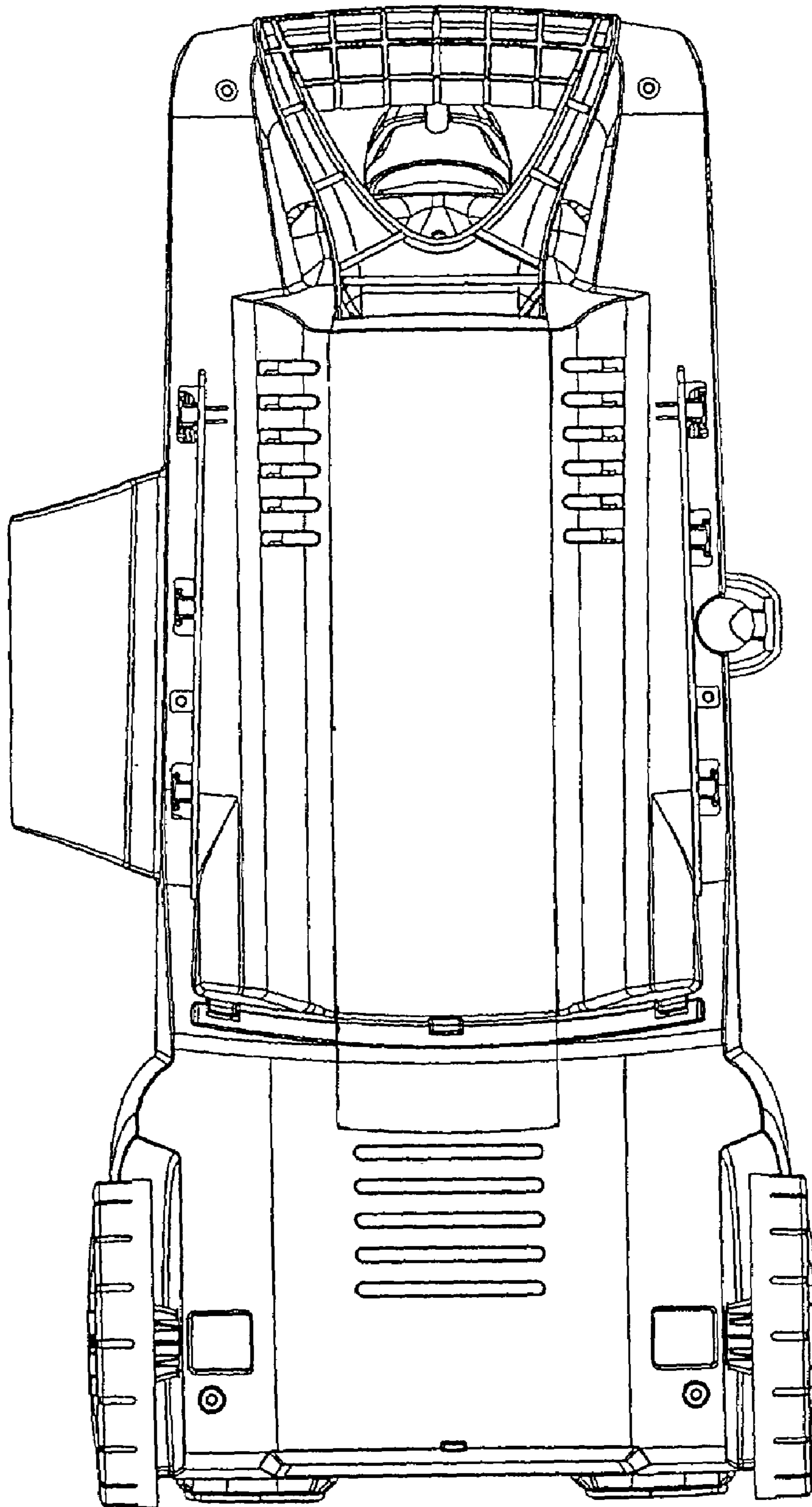


FIG. 4

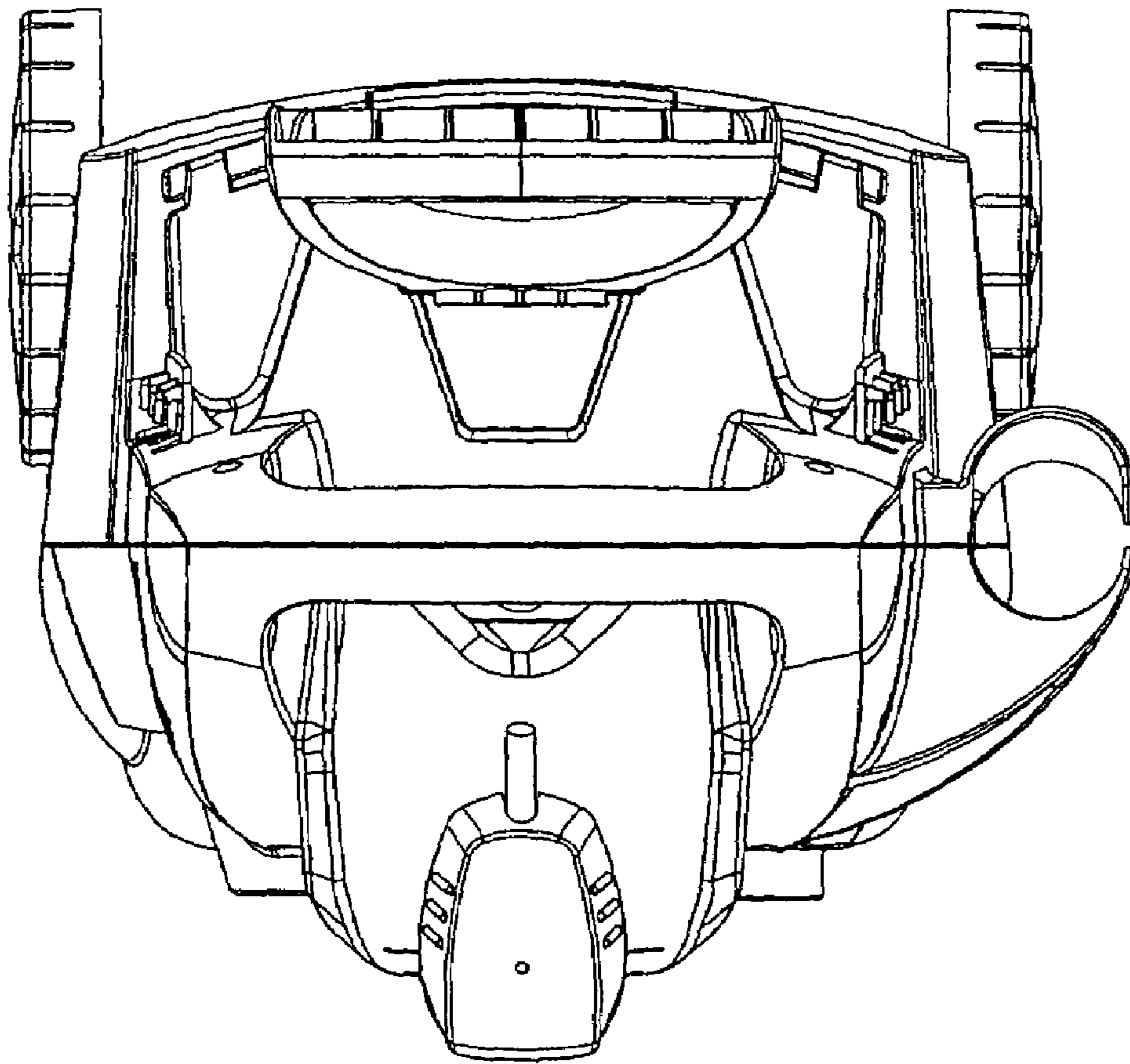


FIG. 5

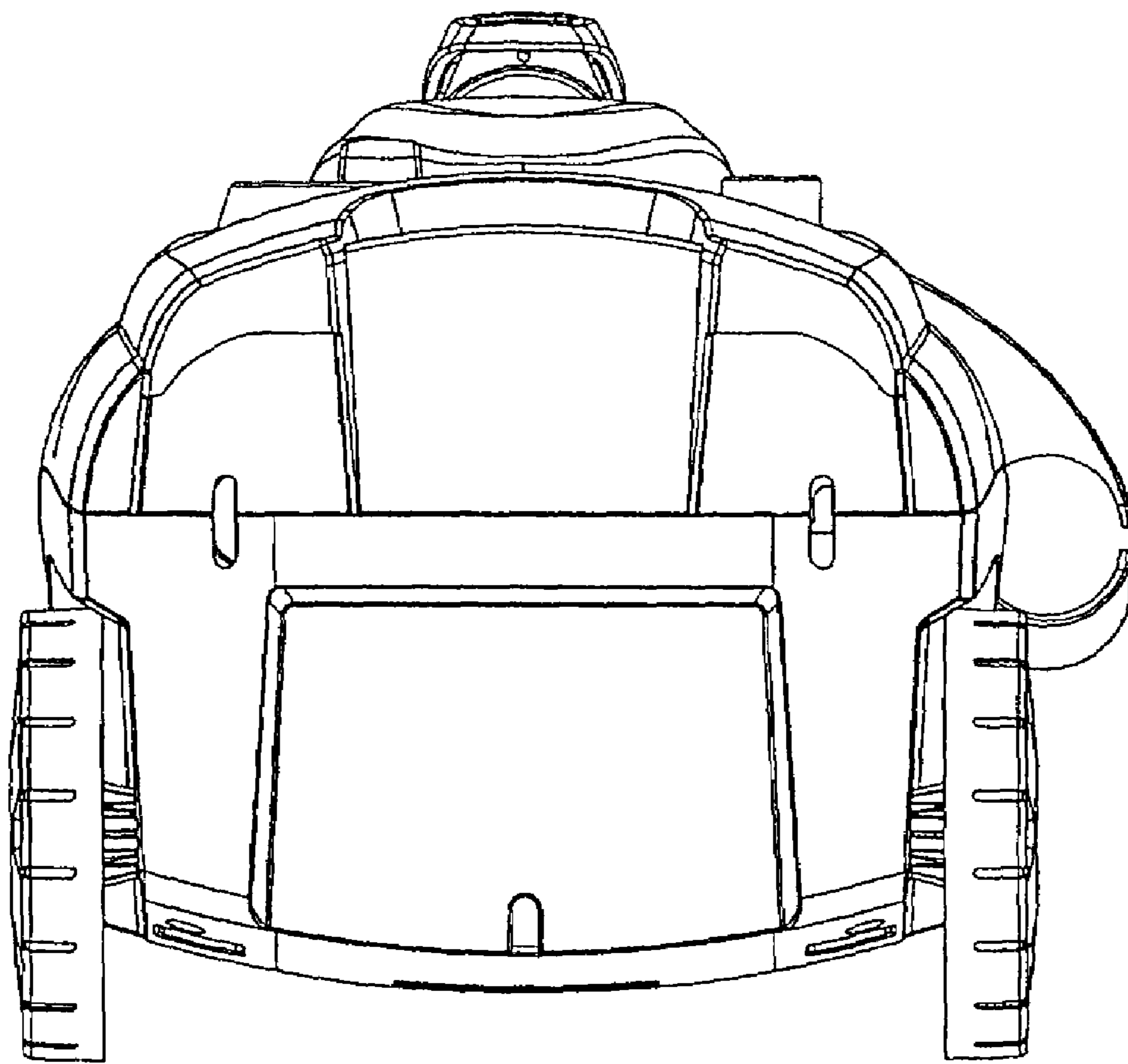


FIG. 6