



US00D551812S

(12) **United States Design Patent**  
**Renner**

(10) **Patent No.:** **US D551,812 S**

(45) **Date of Patent:** **\*\* Sep. 25, 2007**

(54) **HIGH PRESSURE CLEANING APPARATUS**

D496,503 S \* 9/2004 Chen ..... D32/16  
D532,166 S \* 11/2006 Reverberi ..... D32/4

(75) Inventor: **Reinhard Renner**, Esslingen (DE)

(73) Assignee: **Alfred Kaercher GmbH & Co. KG**,  
Winnenden (DE)

(\*\*) Term: **14 Years**

(21) Appl. No.: **29/263,826**

(22) Filed: **Jul. 28, 2006**

(30) **Foreign Application Priority Data**

Feb. 1, 2006 (EM) ..... 000473574

(51) **LOC (8) Cl.** ..... **15-05**

(52) **U.S. Cl.** ..... **D32/15**

(58) **Field of Classification Search** ..... D32/1,  
D32/15, 16, 25, 31, 21, 22; 15/3, 323, 403;  
134/200, 103.2, 199, 201; 239/146-158  
See application file for complete search history.

(56) **References Cited**

**U.S. PATENT DOCUMENTS**

D481,838 S \* 11/2003 Renner ..... D32/15  
D488,596 S \* 4/2004 Cattaneo ..... D32/15  
D489,497 S \* 5/2004 Cattaneo ..... D32/15  
D489,498 S \* 5/2004 Cattaneo ..... D32/15  
D490,196 S \* 5/2004 Lanfredi ..... D32/15  
D490,948 S \* 6/2004 Cattaneo ..... D32/15

**OTHER PUBLICATIONS**

Extract of Alfred Kaercher GmbH & Co. KG 2003 catalog, pp.  
10-14, 46 and 50 (2003).

Extract of Alfred Kaercher GmbH & Co. KG 2005 catalog, pp. 8,  
9, 67, 68, and 71-73 (2005).

\* cited by examiner

*Primary Examiner*—Louis S. Zarfes

*Assistant Examiner*—Kathleen Sims

(74) *Attorney, Agent, or Firm*—Lipsitz & McAllister, LLC

(57) **CLAIM**

The ornamental design for a high pressure cleaning appa-  
ratus, as shown and described.

**DESCRIPTION**

FIG. 1 is a front elevational view of the high pressure  
cleaning apparatus showing my new design;

FIG. 2 is a left side elevational view of the design;

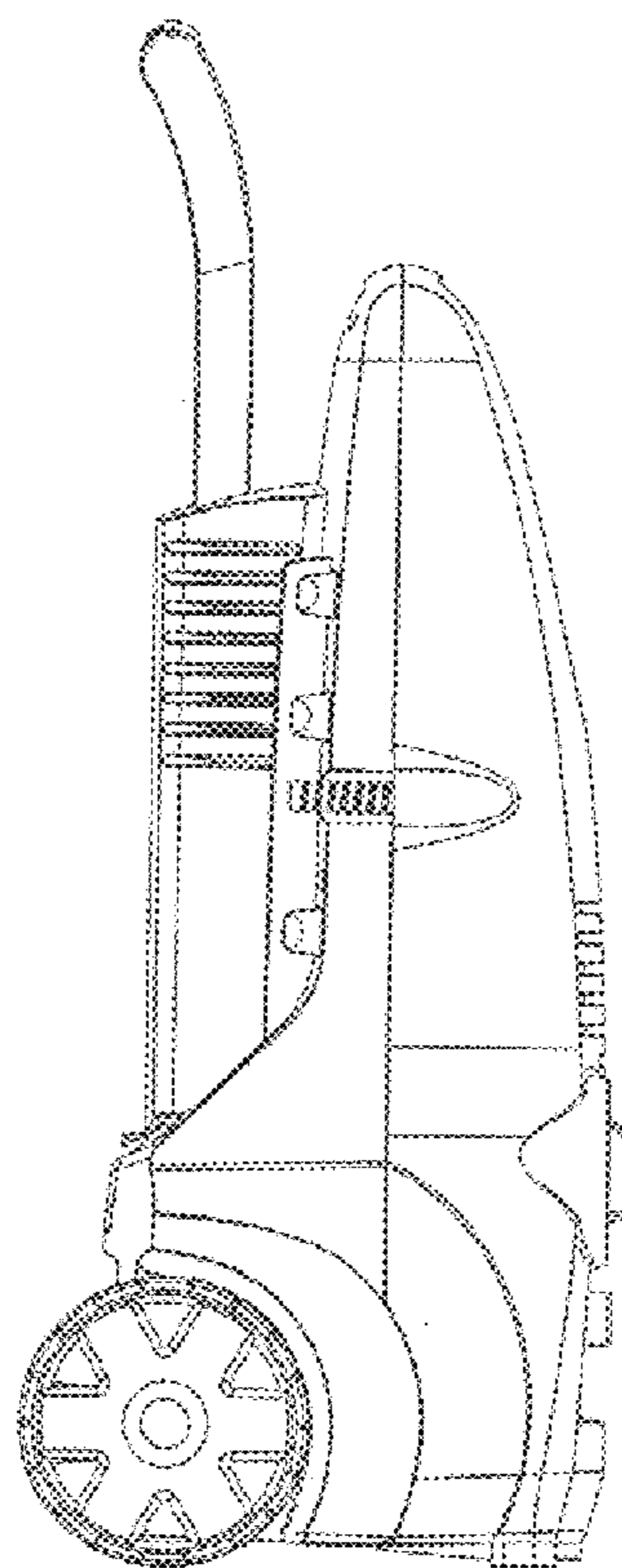
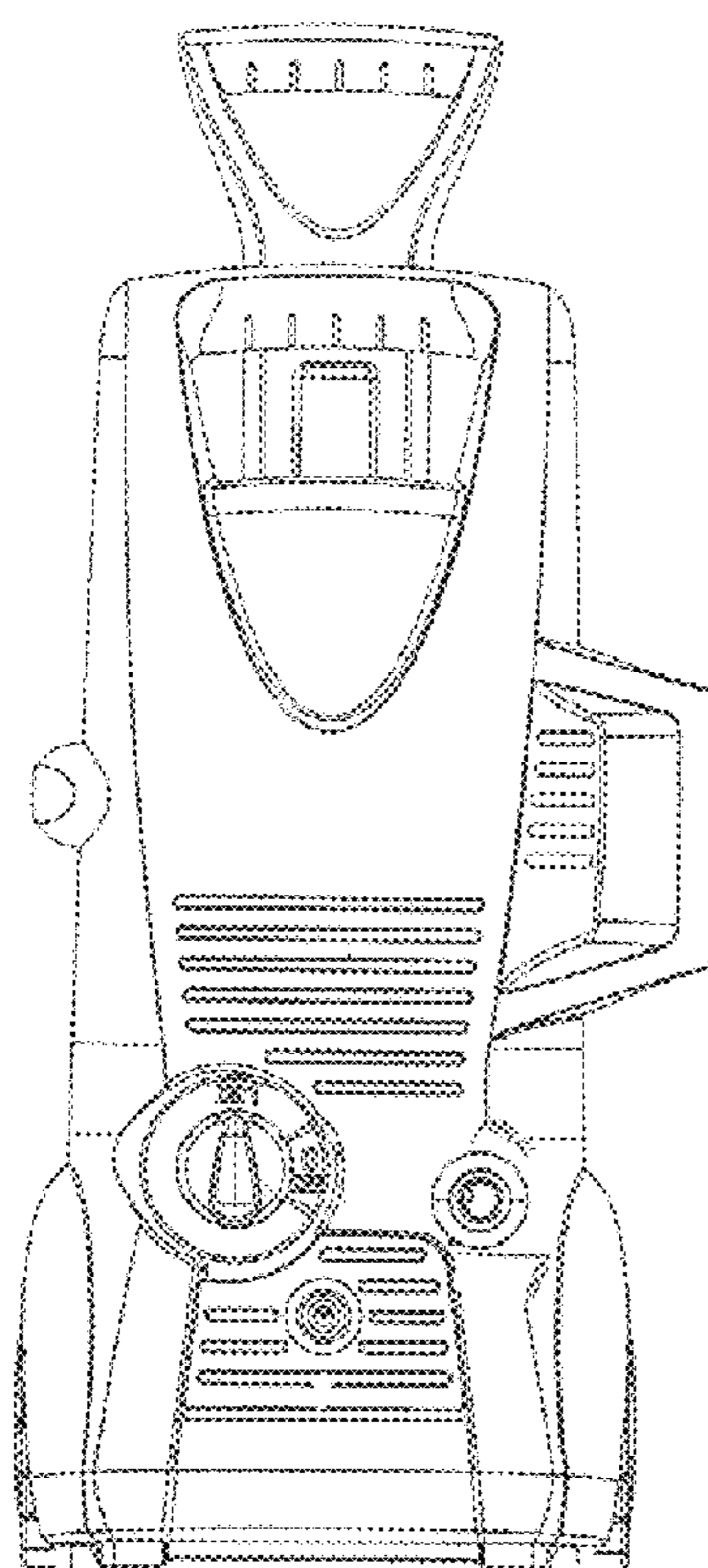
FIG. 3 is a right side elevational view of the design;

FIG. 4 is a rear elevational view of the design;

FIG. 5 is a top plan view of the design; and,

FIG. 6 is a bottom plan view of the design.

**1 Claim, 6 Drawing Sheets**



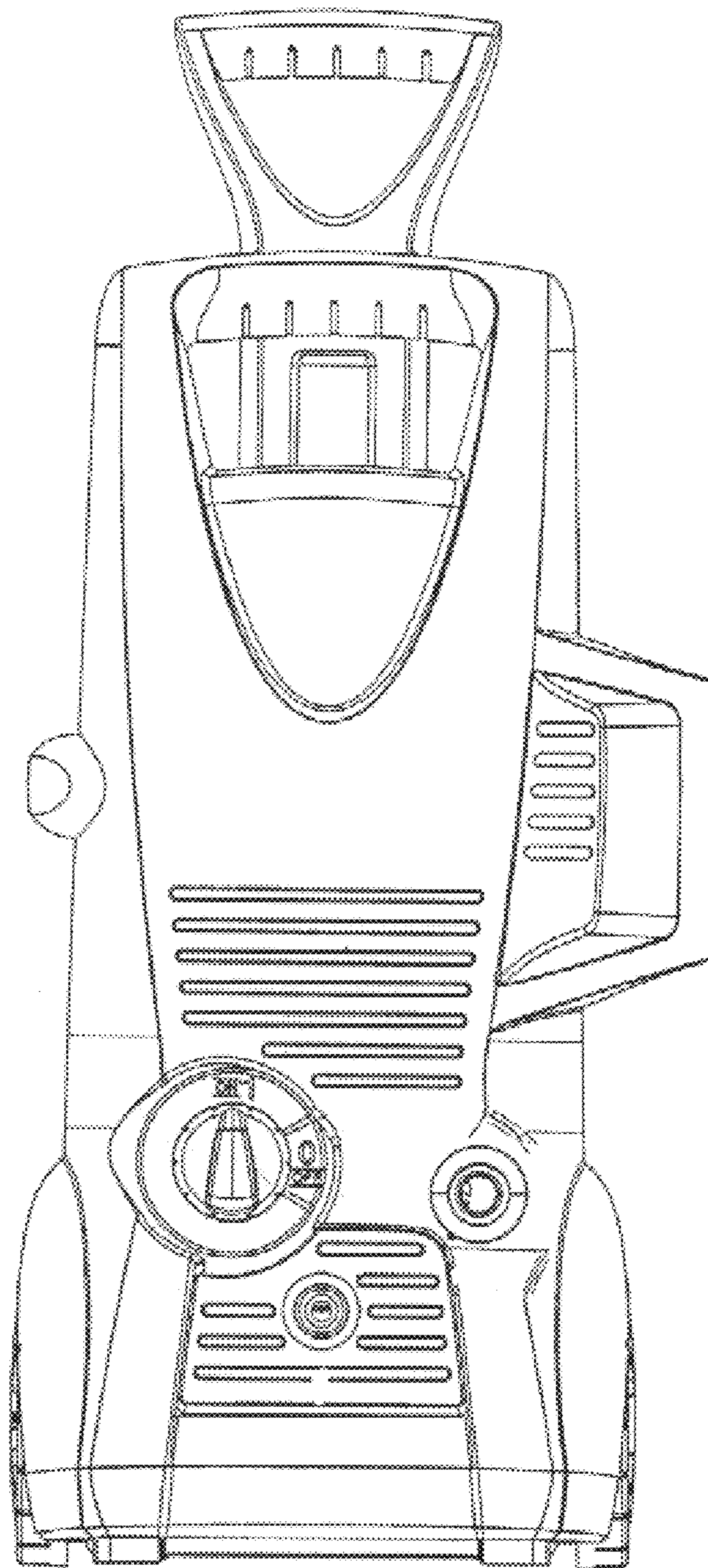


FIG. 1

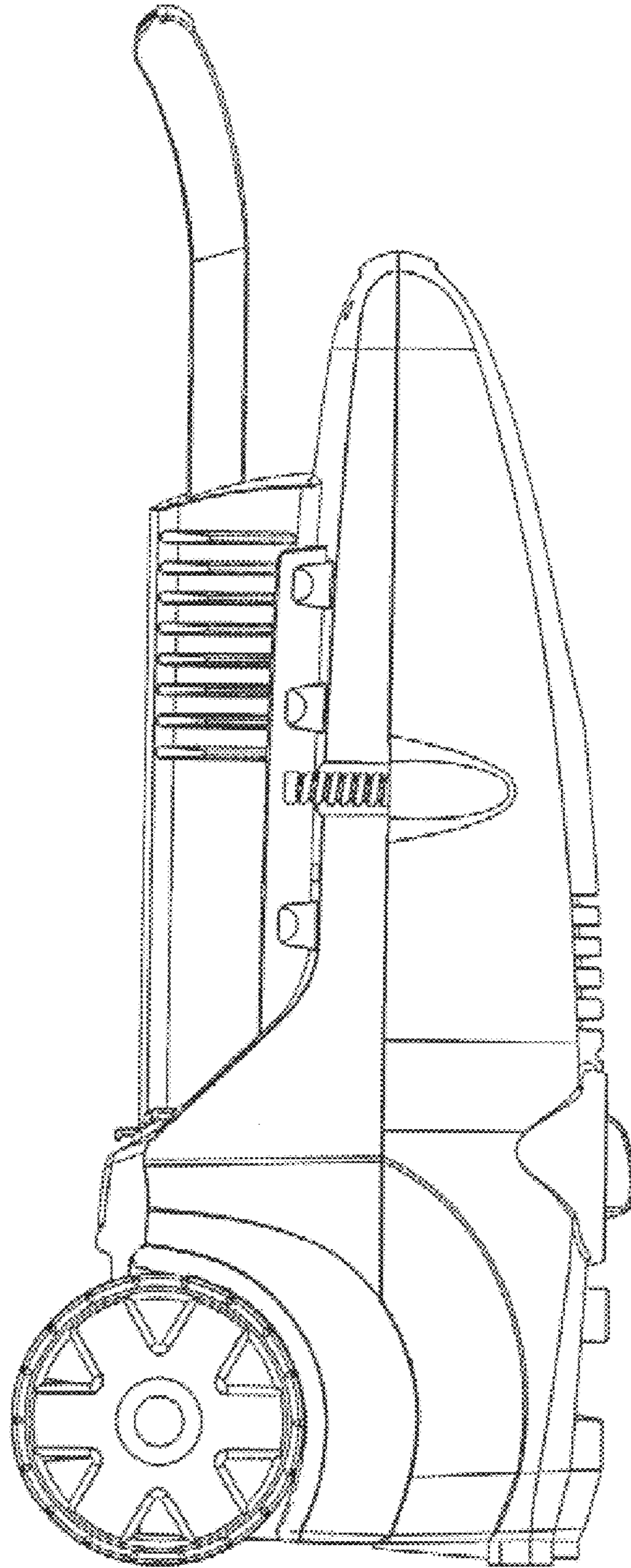


FIG. 2

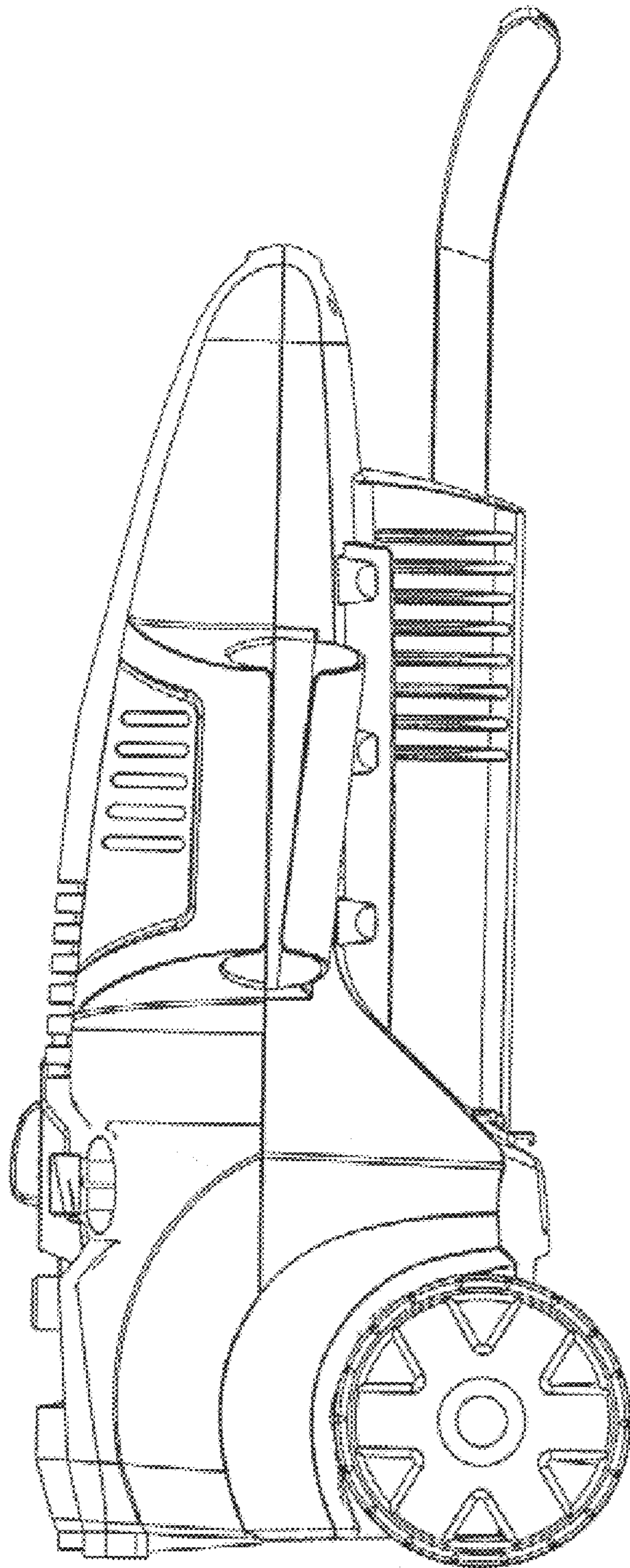


FIG. 3

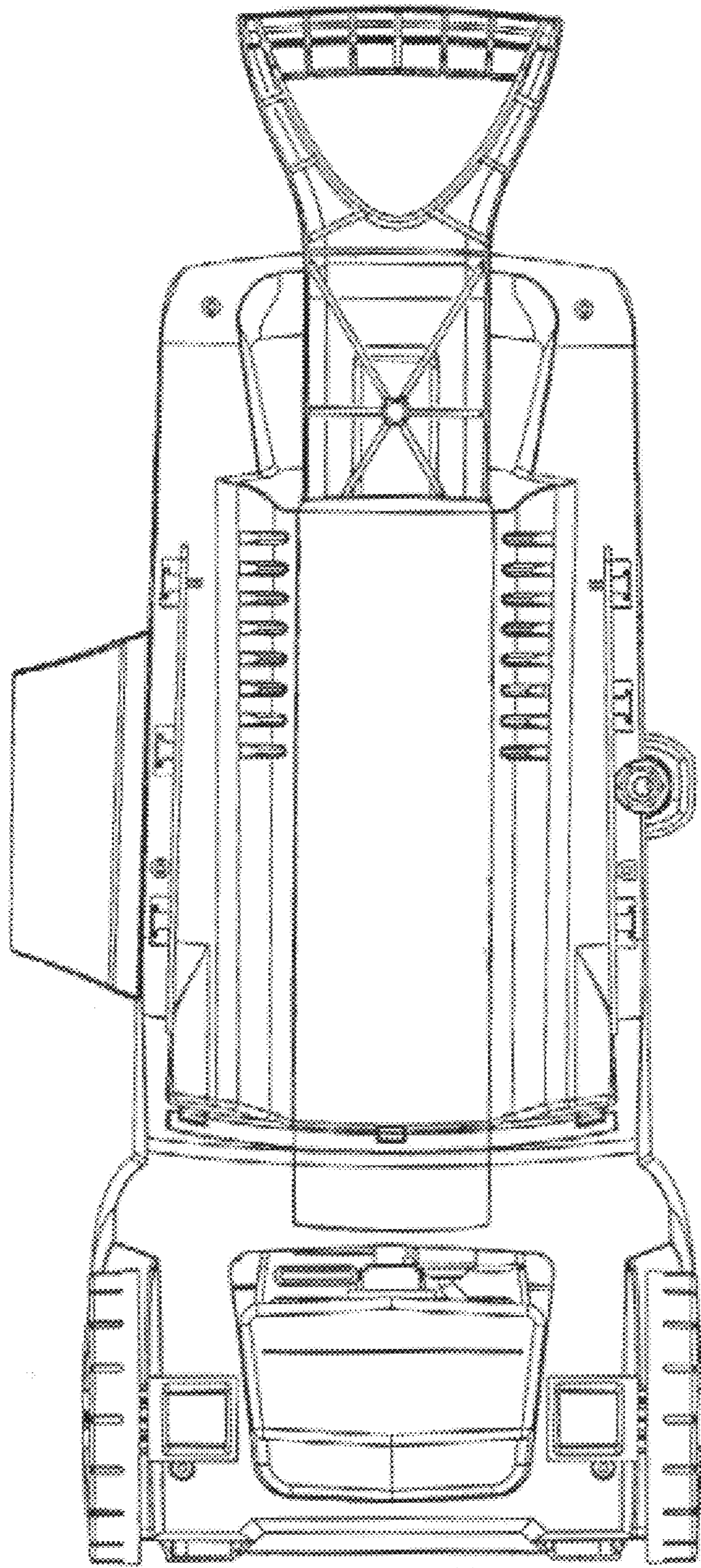


FIG. 4

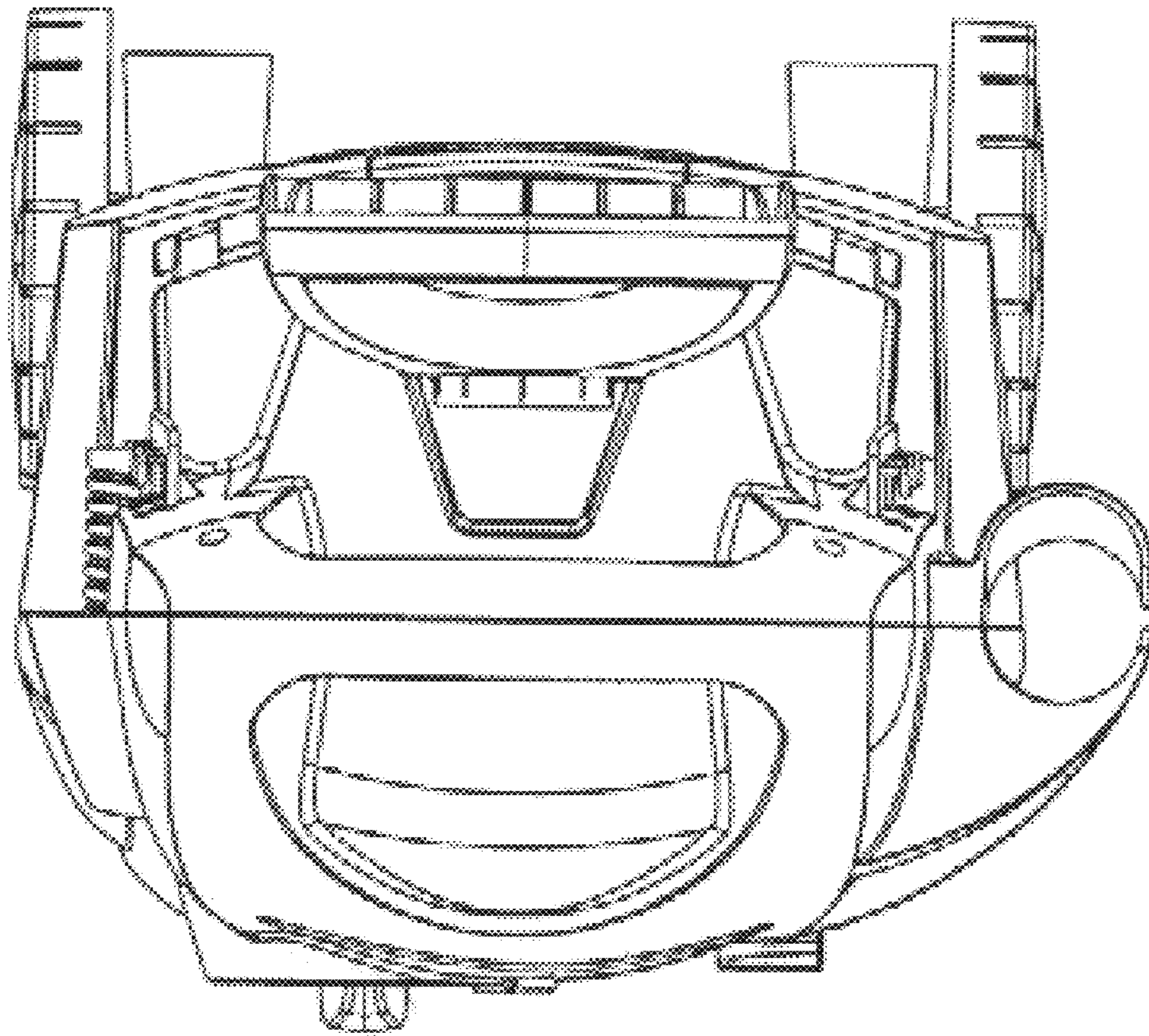


FIG. 5

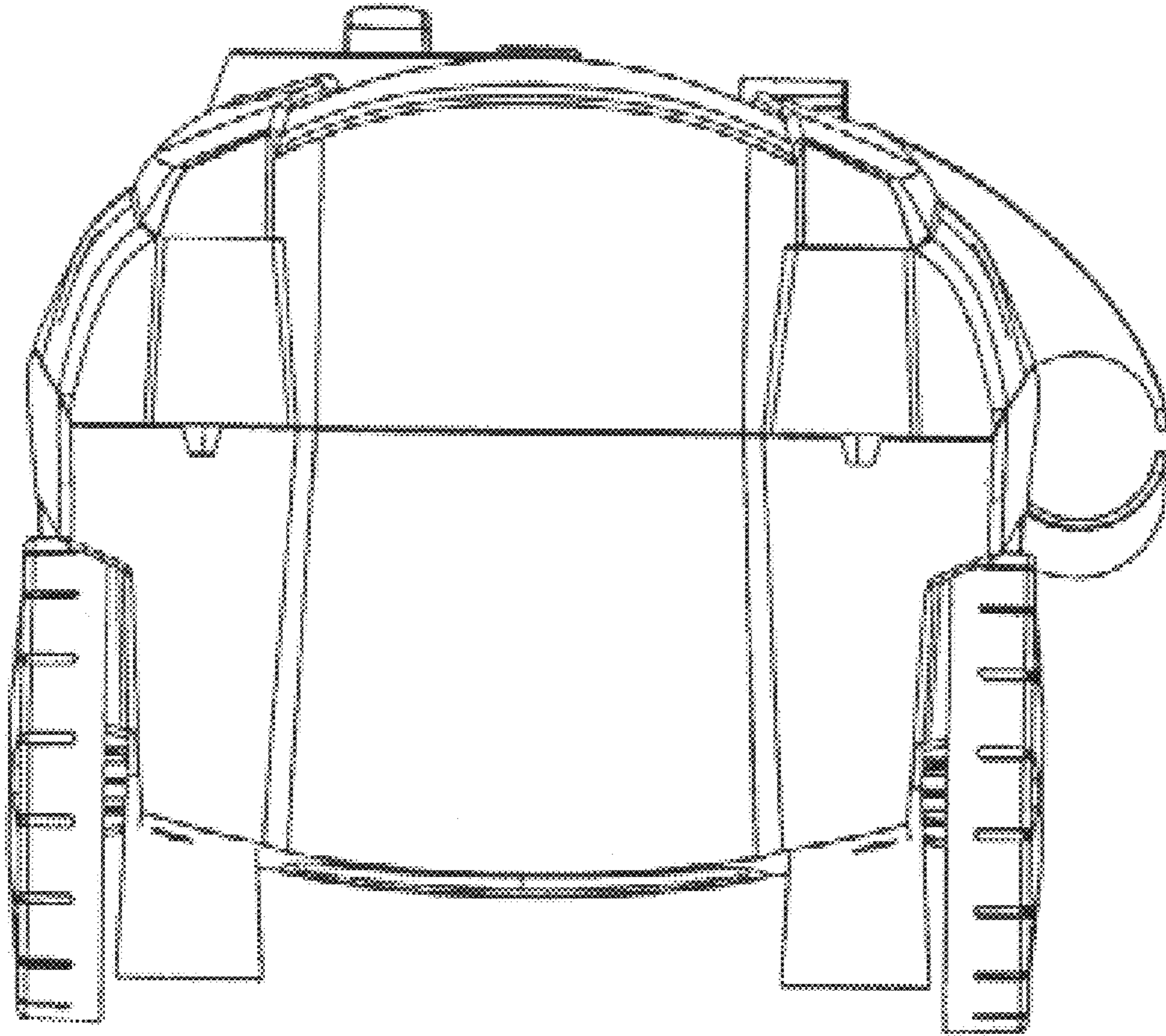


FIG. 6