



US00D551808S

(12) **United States Design Patent** (10) **Patent No.:** **US D551,808 S**
Fisher (45) **Date of Patent:** **** Sep. 25, 2007**

(54) **GAME GLOVE**

(57) **CLAIM**

(76) Inventor: **Kayne G. Fisher**, 1903 Provence Dr., Greensboro, NC (US) 27410

The ornamental design for a game glove, as shown and described.

(**) Term: **14 Years**

DESCRIPTION

(21) Appl. No.: **29/267,594**

FIG. 1 is a bottom, front, right side perspective view of a right hand game glove showing the first embodiment of my design;

(22) Filed: **Oct. 17, 2006**

FIG. 2 is a rear elevation view thereof;

(51) **LOC (8) Cl.** **23-02**

FIG. 3 is a front elevation view thereof;

(52) **U.S. Cl.** **D29/117.1**

FIG. 4 is a right side elevation view thereof;

(58) **Field of Classification Search** D2/610, D2/616-623; D29/113, 116.2, 117.1, 117.2, D29/118-119, 123; 2/455, 16, 19, 159, 116.1-161.8, 2/162, 170, 910, 917; D24/190
See application file for complete search history.

FIG. 5 is a left side elevation view thereof;

FIG. 6 is a bottom plan view thereof;

FIG. 7 is a top plan view thereof;

FIG. 8 is a bottom, front, left side perspective view of a left hand game glove showing the second embodiment of my design

FIG. 9 as a rear elevation view thereof;

(56) **References Cited**

U.S. PATENT DOCUMENTS

- 5,758,365 A * 6/1998 Steeley 2/161.1
- 6,189,150 B1 * 2/2001 Jones-Roberson 2/163
- 6,209,137 B1 4/2001 Wallick 2/161.1
- D472,035 S * 3/2003 McManis D2/617
- 7,114,193 B2 * 10/2006 Winningham 2/163
- 2005/0223469 A1 * 10/2005 Banton 2/160

FIG. 10 is a front elevation view thereof;

FIG. 11 is a left side elevation view thereof;

FIG. 12 is a right side elevation view thereof;

FIG. 13 is a bottom plan view thereof; and,

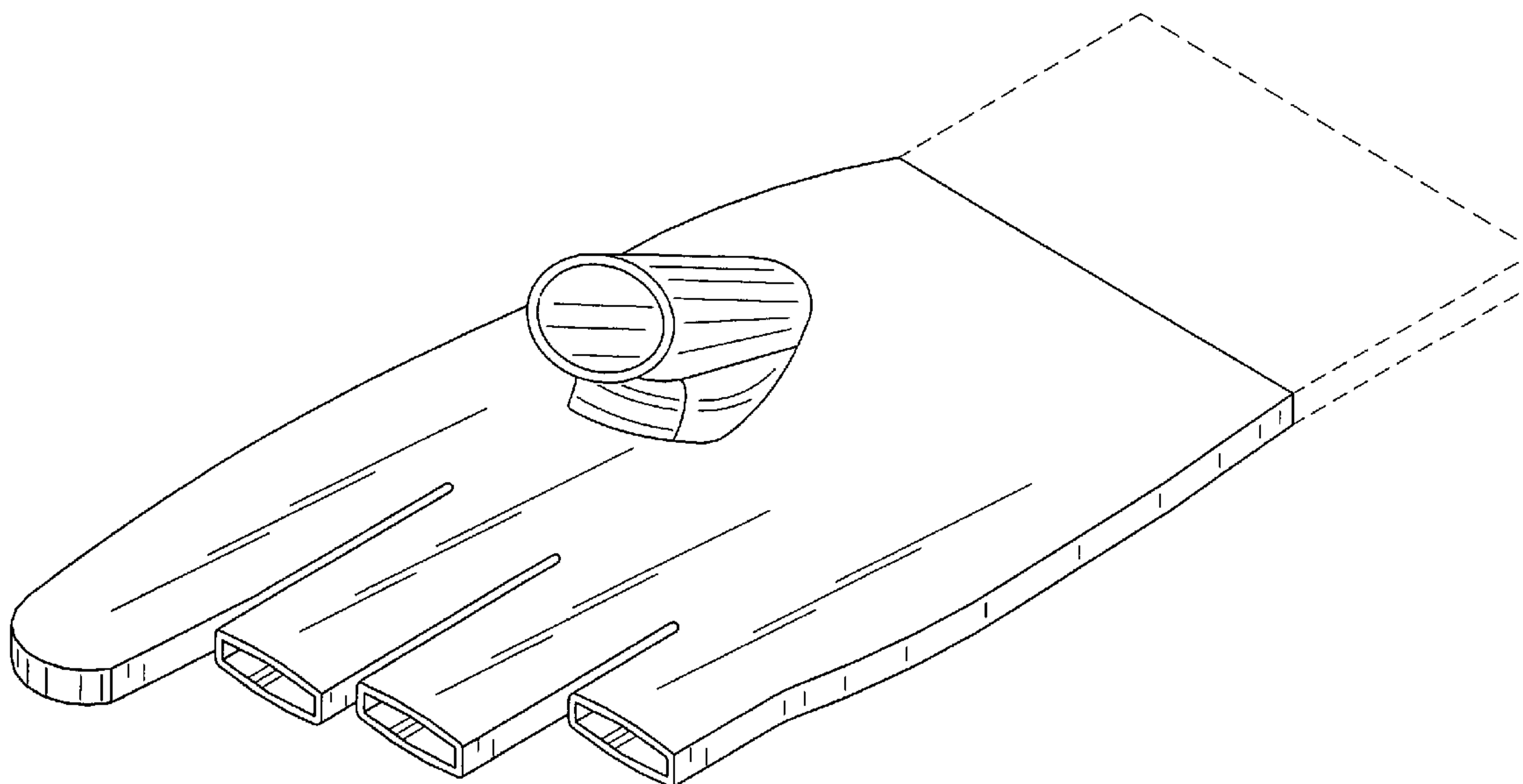
FIG. 14 is a top plan view thereof.

The broken lines showing of the wrist portion of the glove are for illustrative purposes only and form no part of the claimed design.

* cited by examiner

Primary Examiner—Robert A. Delehanty

1 Claim, 12 Drawing Sheets



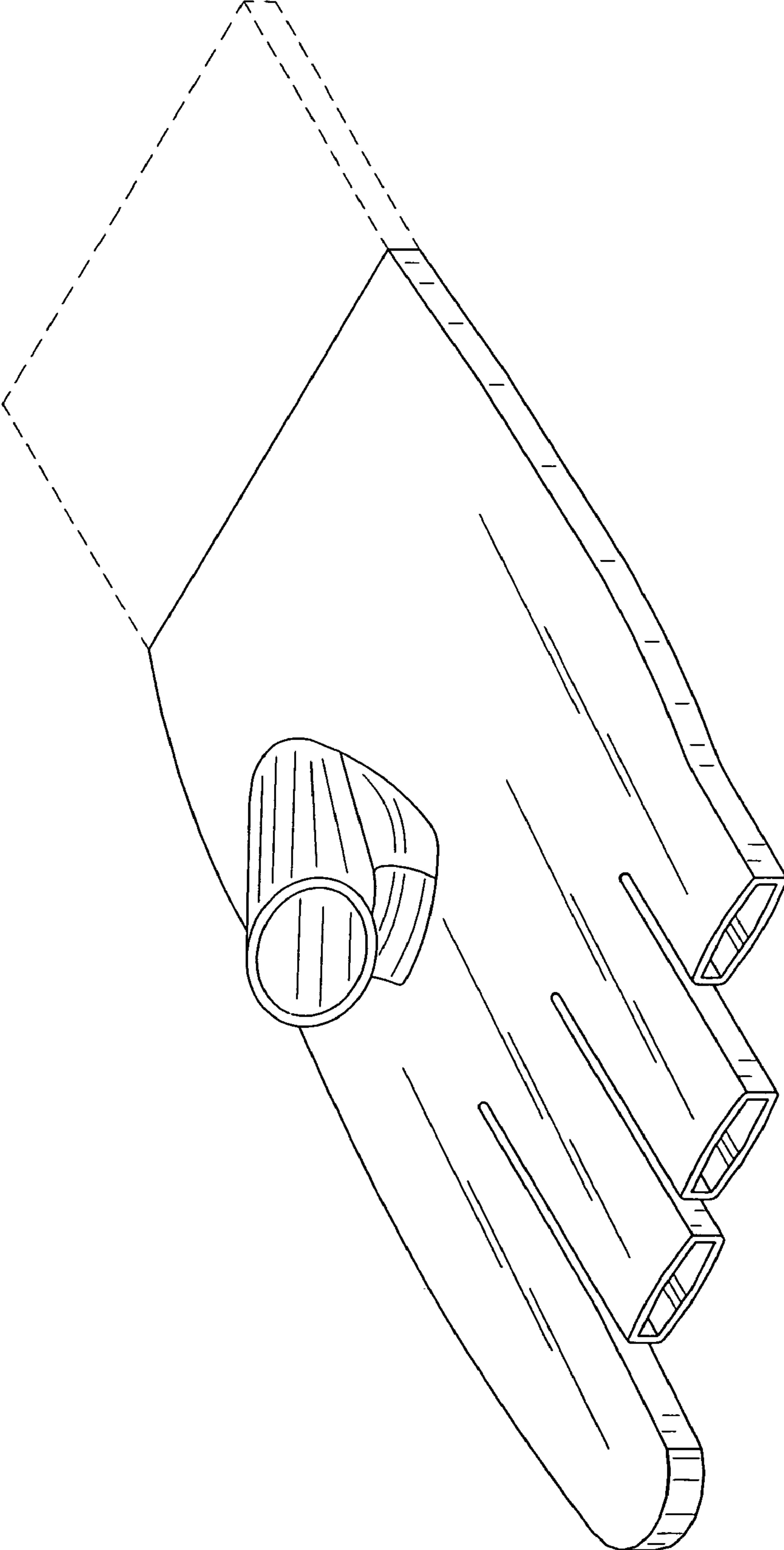


FIG. 1

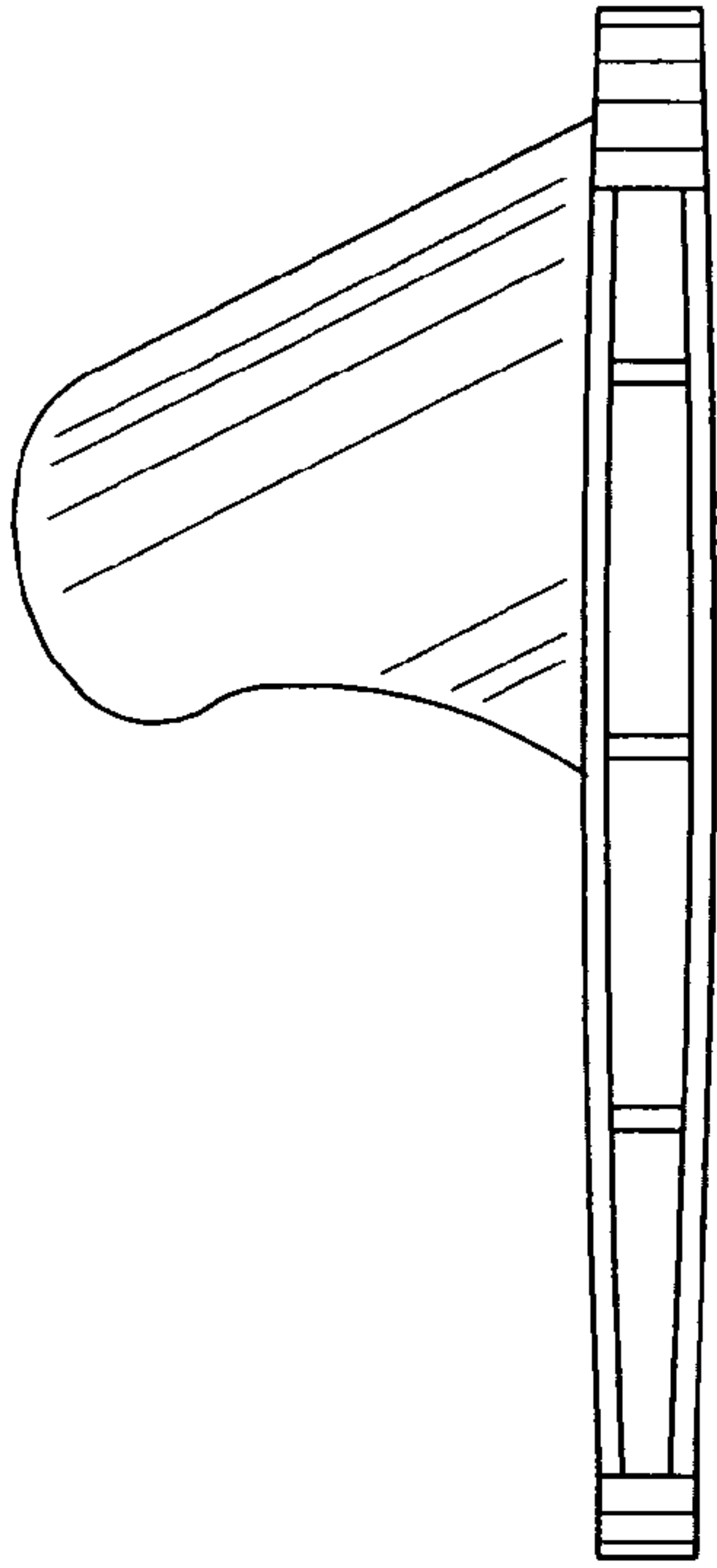


FIG. 2

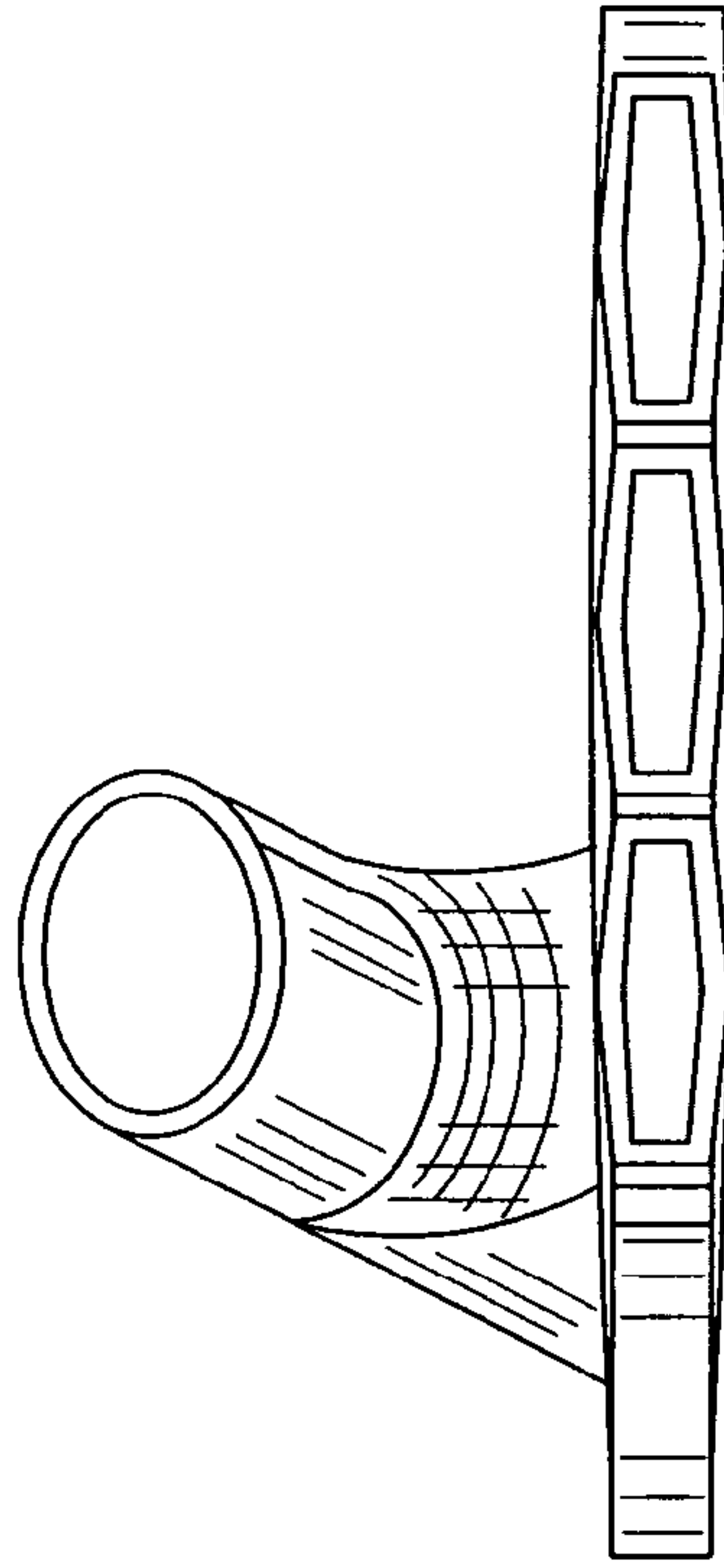


FIG. 3

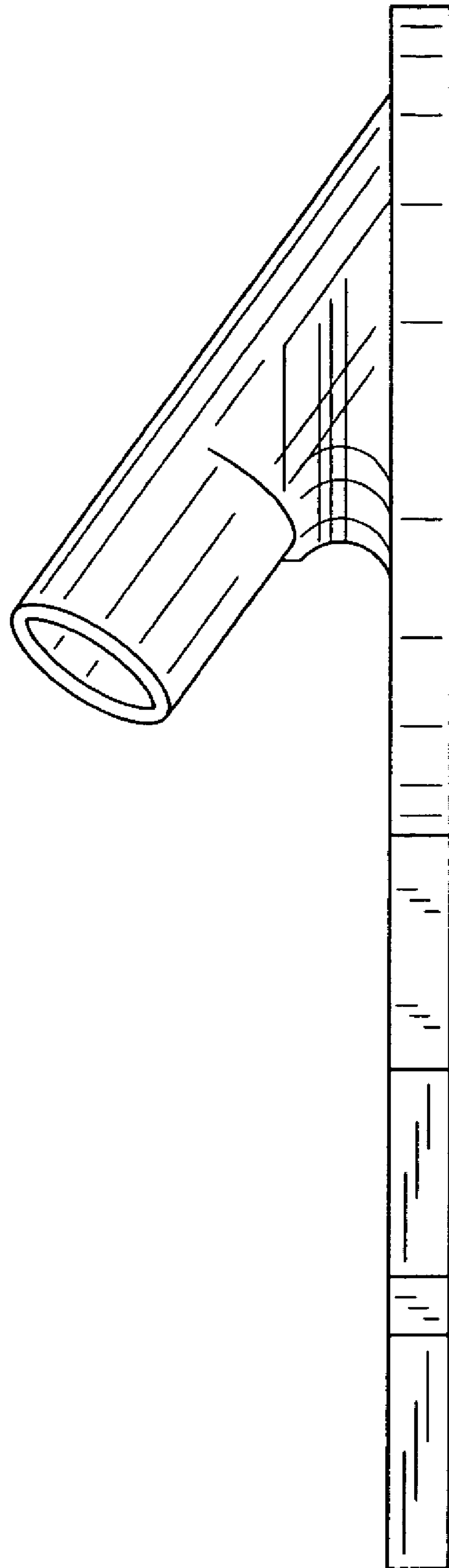


FIG. 4

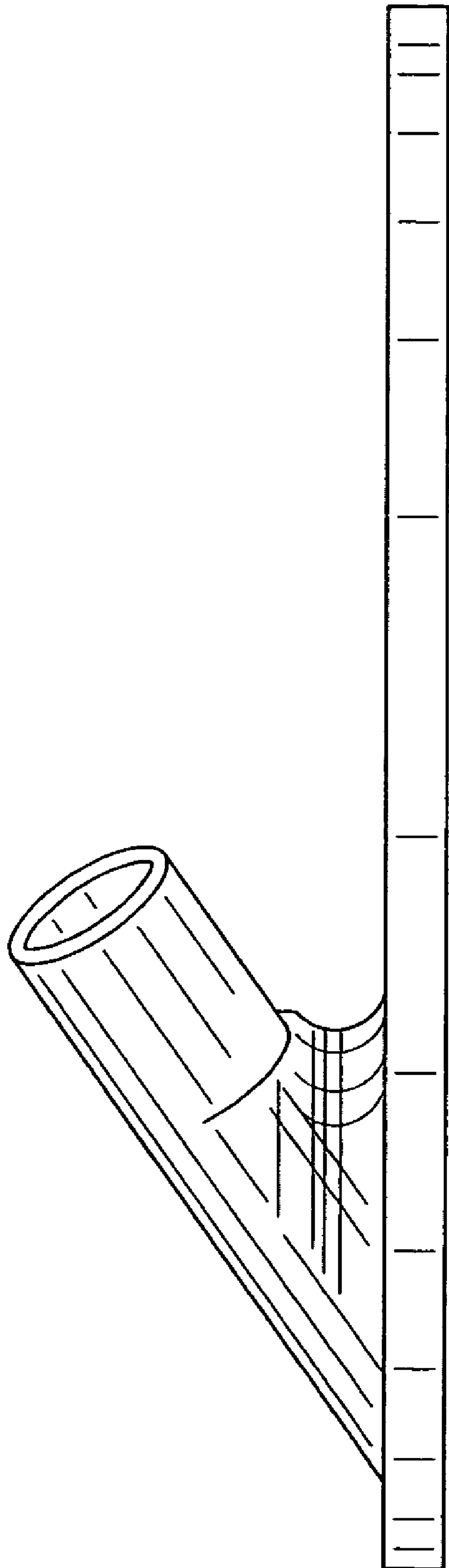


FIG. 5

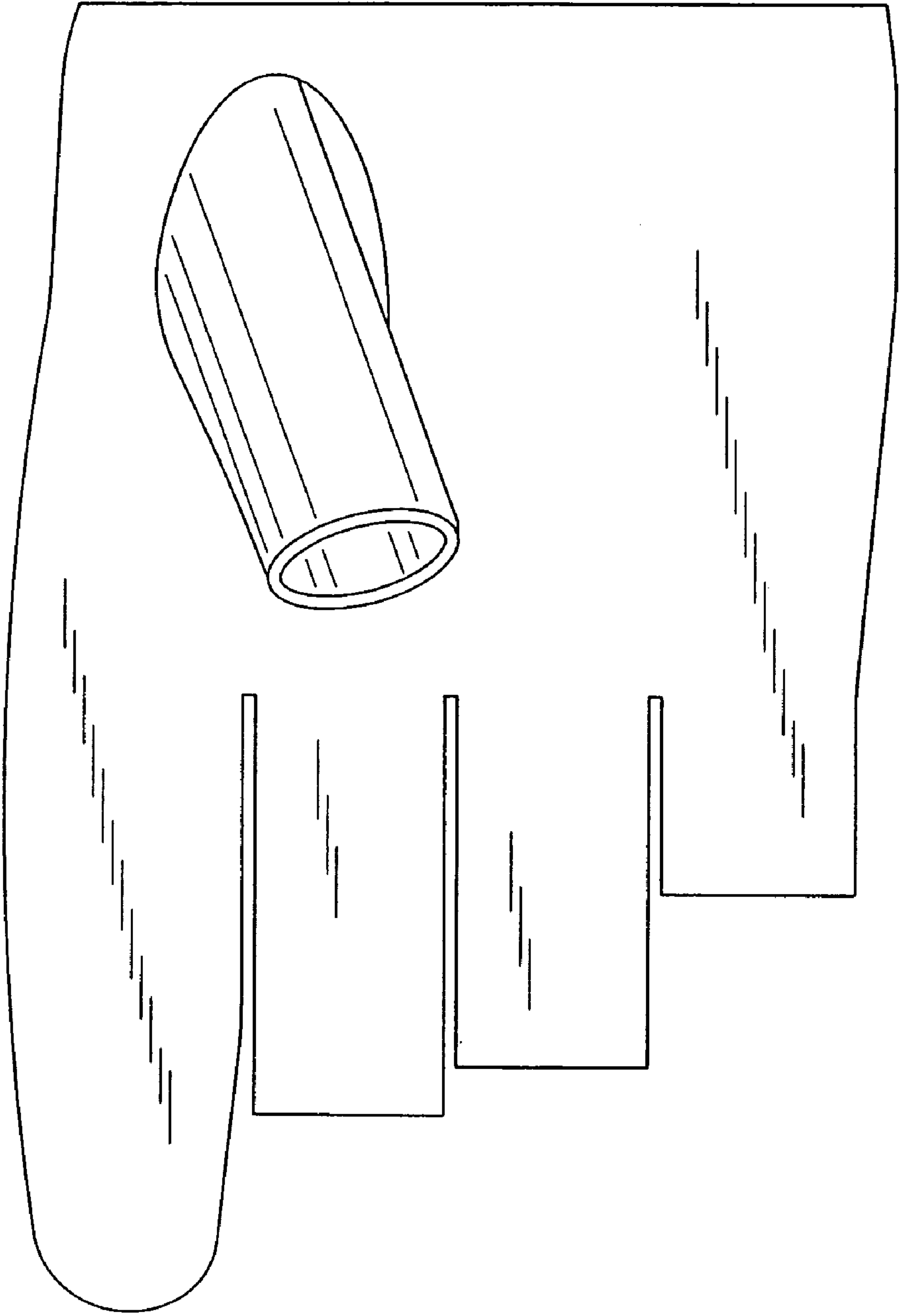


FIG. 6

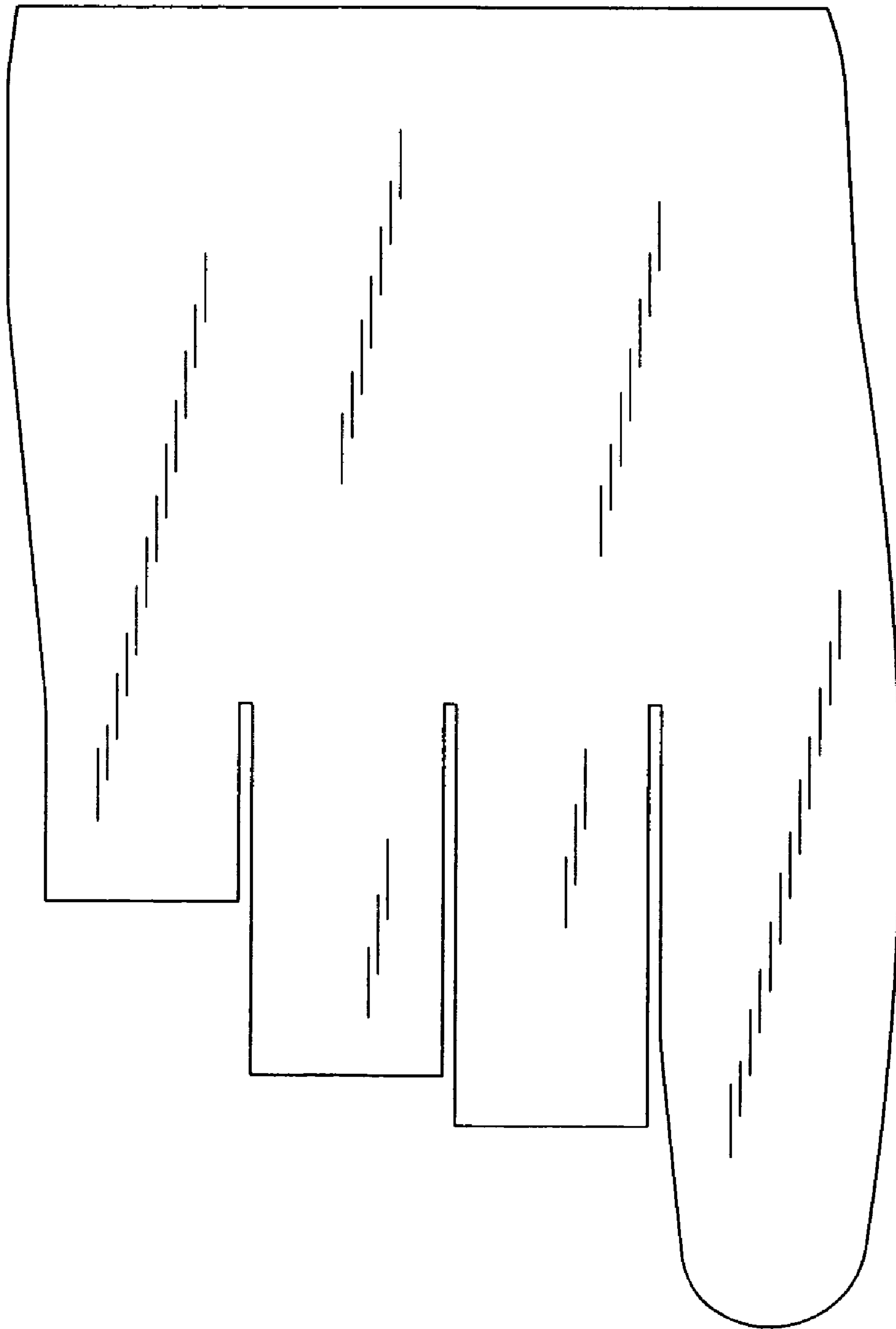


FIG. 7

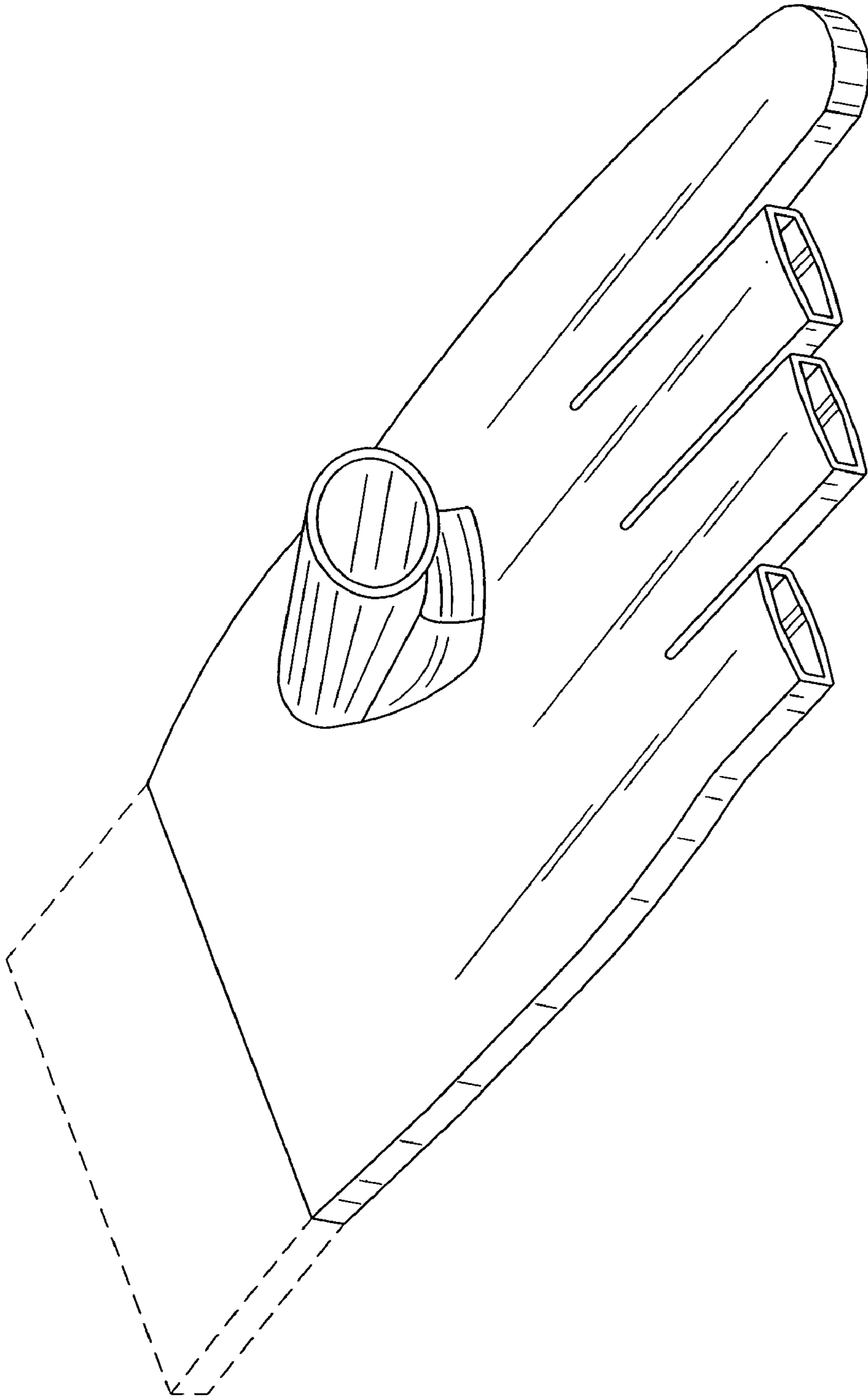


FIG. 8

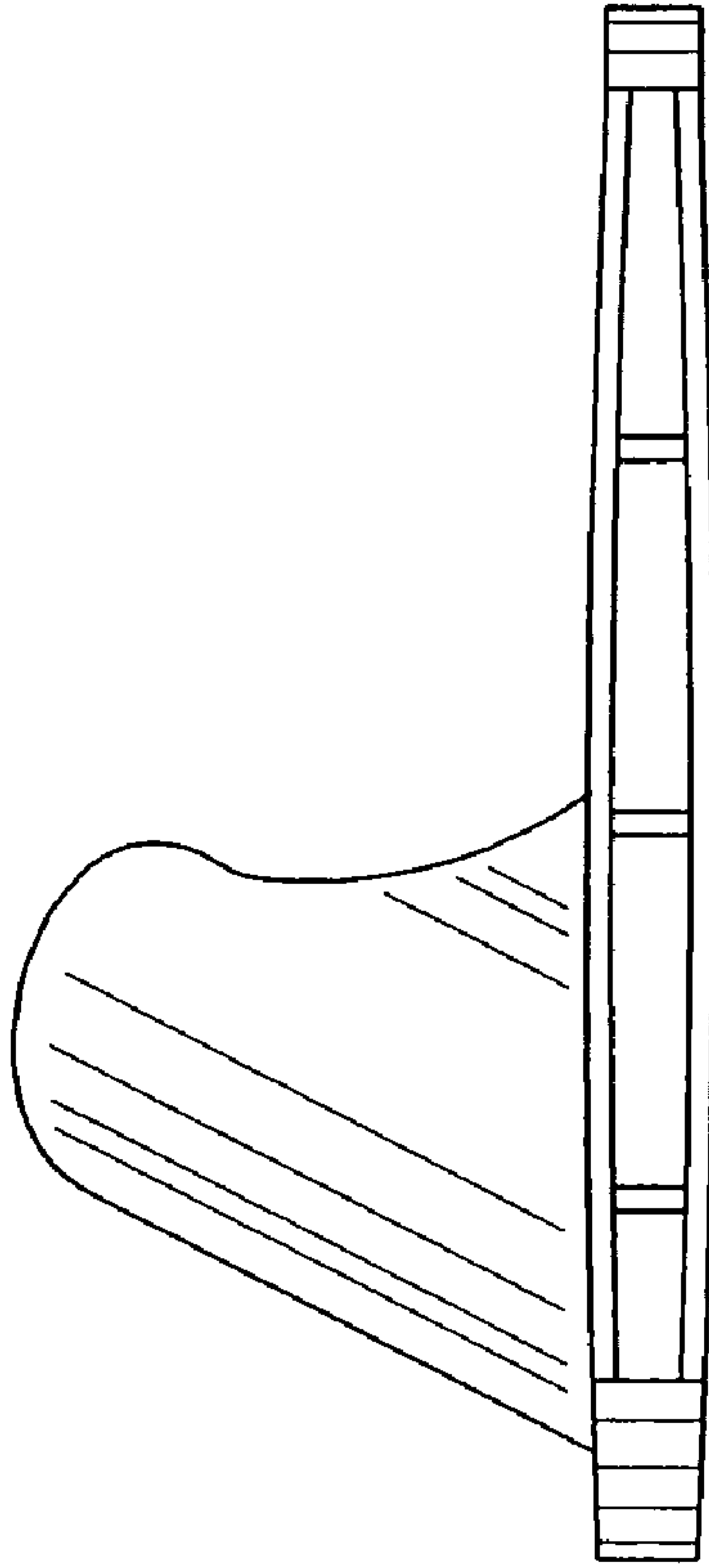


FIG. 9

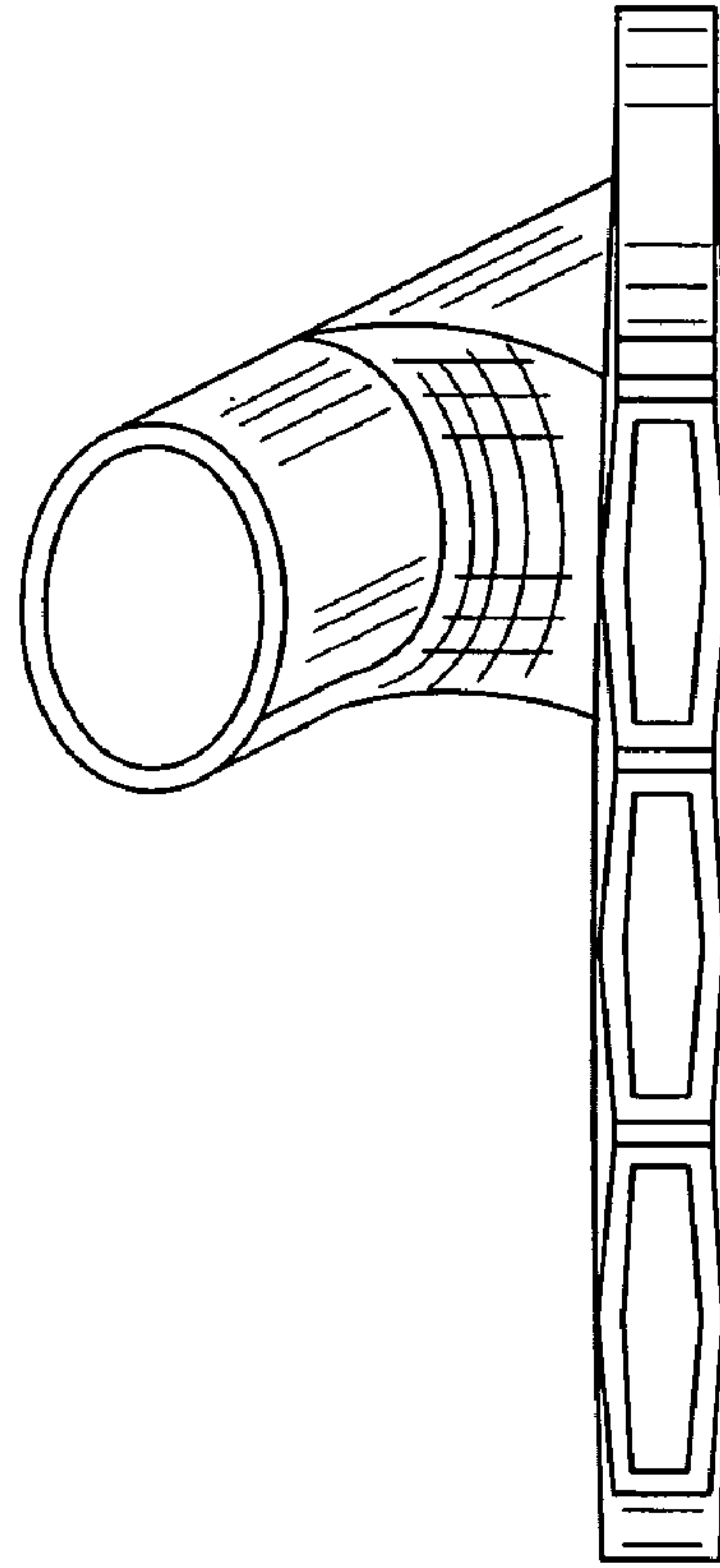


FIG. 10

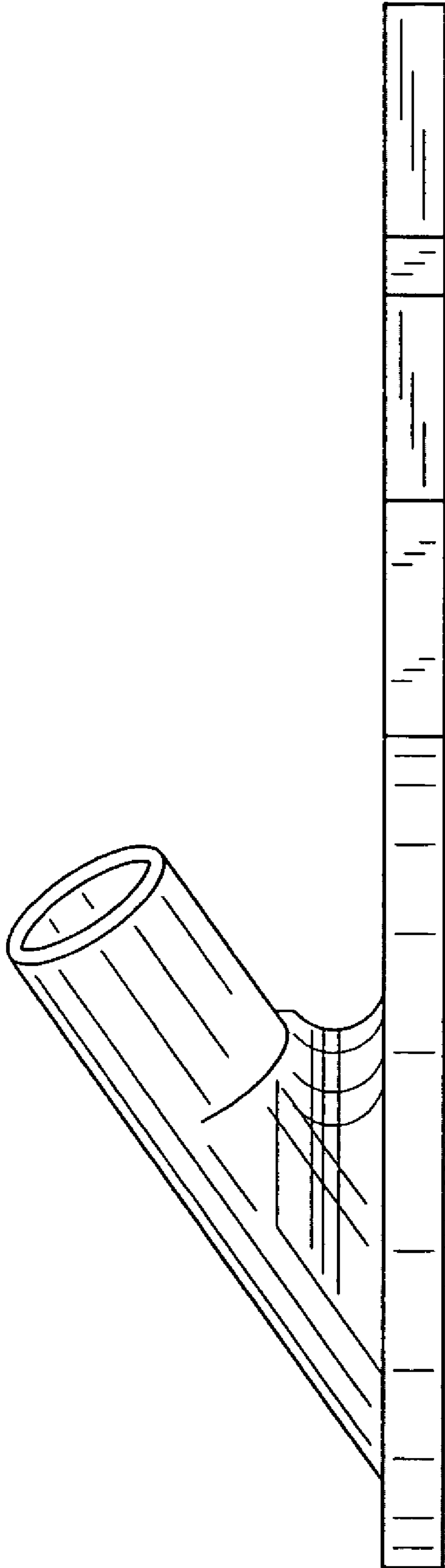


FIG. 11

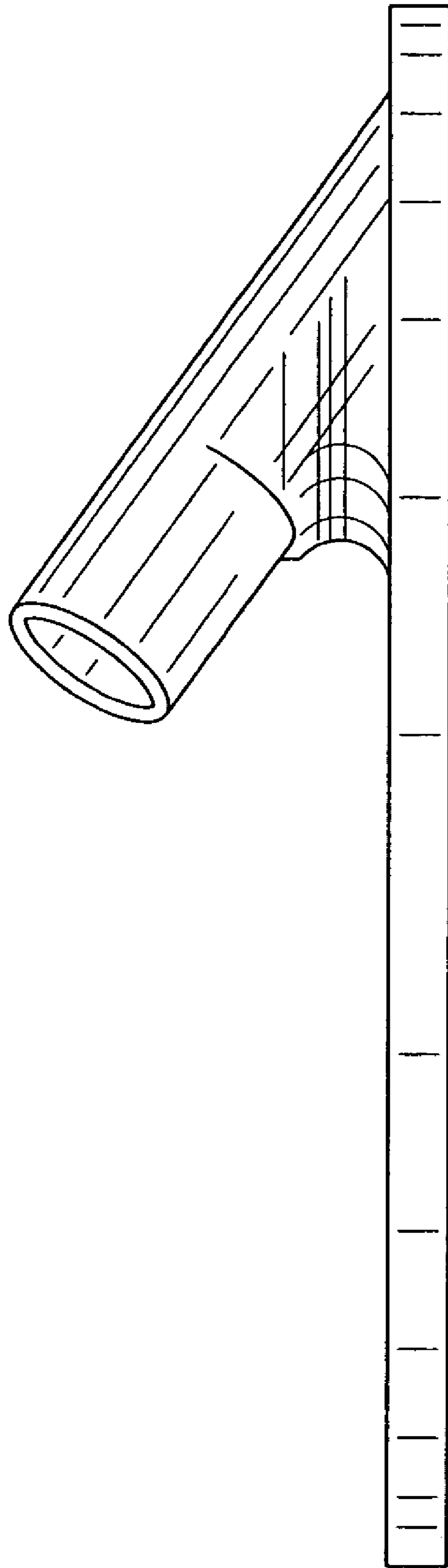


FIG. 12

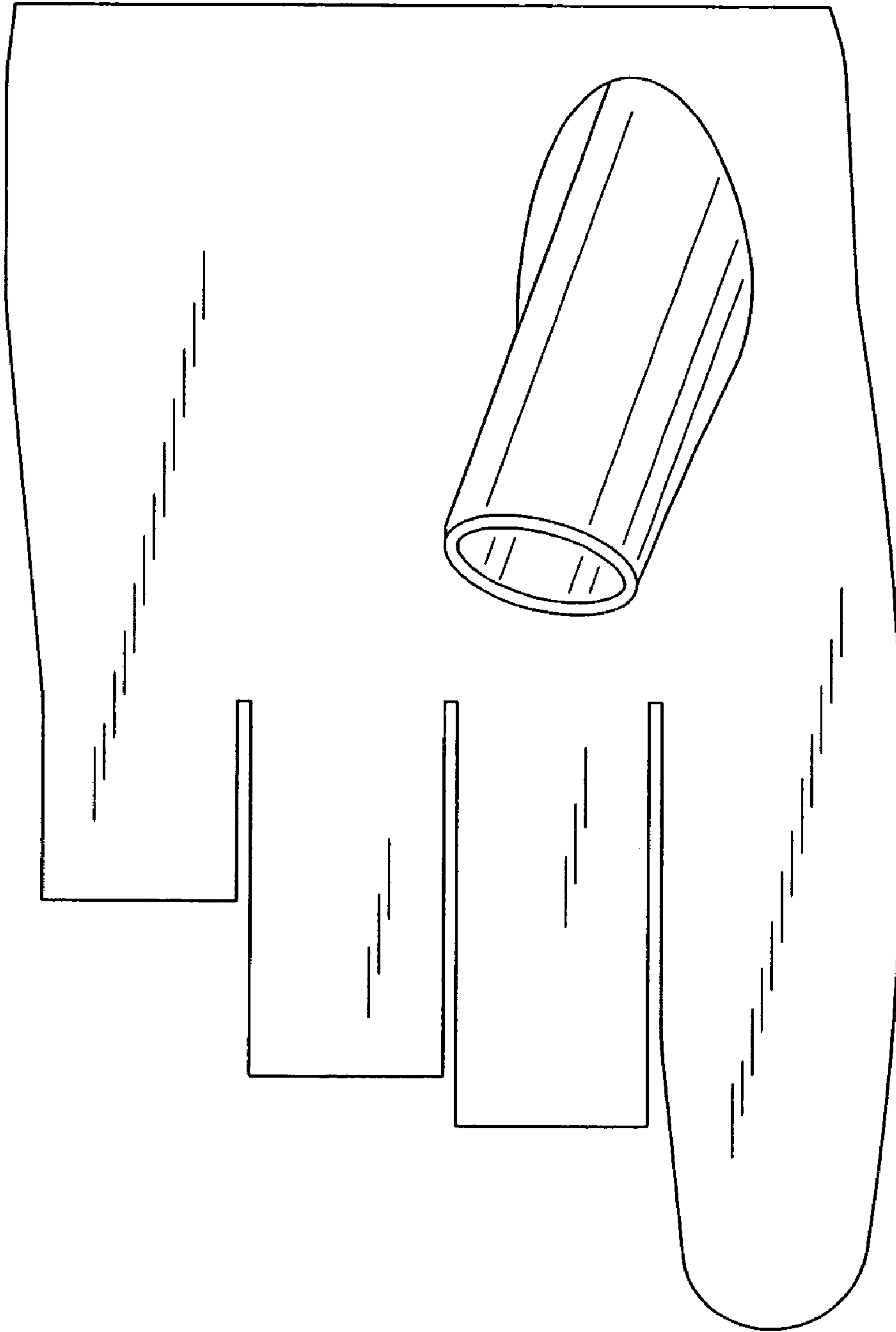


FIG. 13

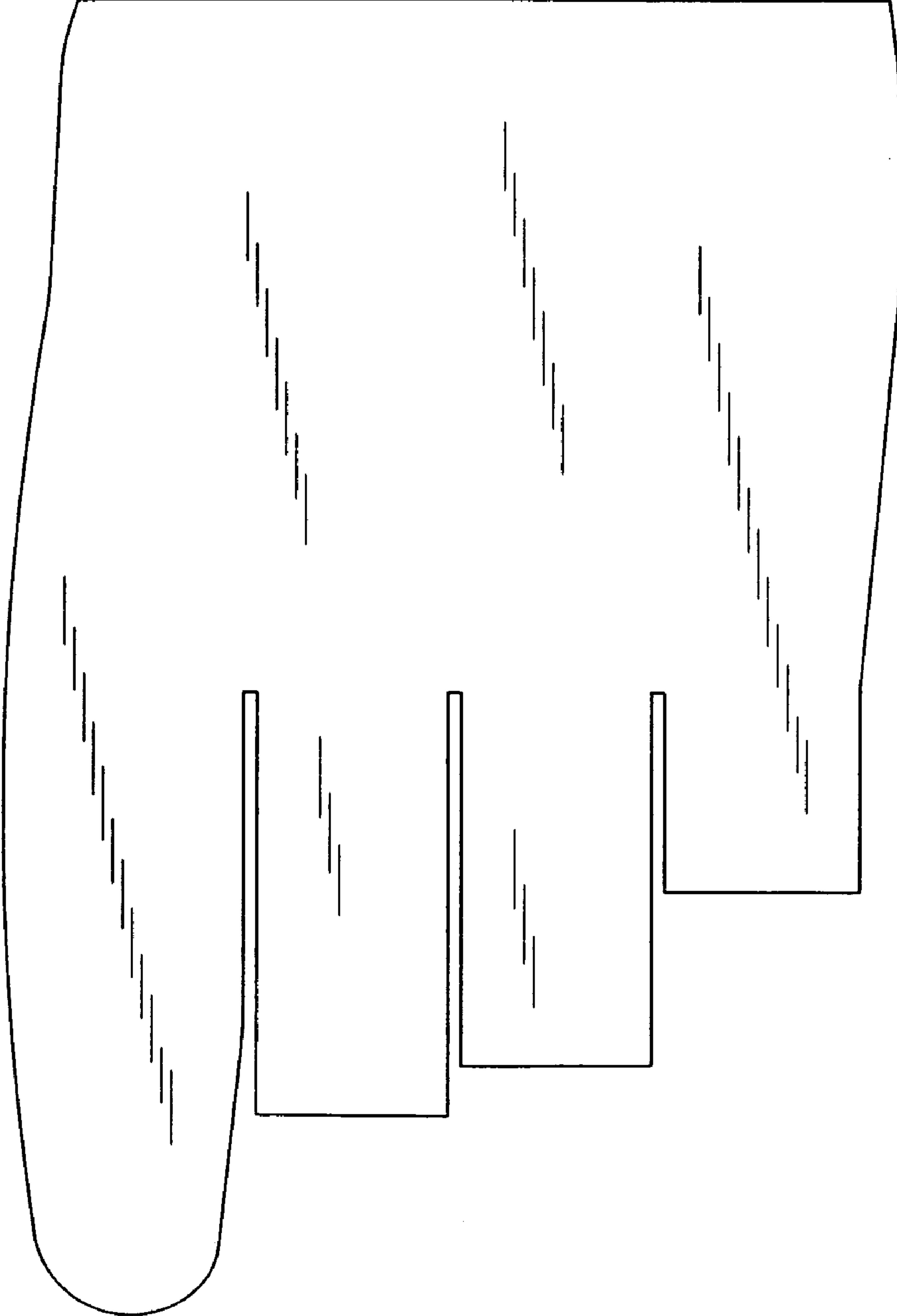


FIG. 14