



US00D551805S

(12) **United States Design Patent**
Dittmer et al.

(10) **Patent No.:** **US D551,805 S**

(45) **Date of Patent:** **** Sep. 25, 2007**

(54) **COMPACT**

(75) Inventors: **Jay R. Dittmer**, Ada, MI (US); **Olivier J. P. van Doorne**, New York, NY (US); **Joe D. Doucet**, New York, NY (US)

(73) Assignee: **Access Business Group International LLC**, Ada, MI (US)

(**) Term: **14 Years**

(21) Appl. No.: **29/257,424**

(22) Filed: **Apr. 4, 2006**

Related U.S. Application Data

(63) Continuation-in-part of application No. 29/245,678, filed on Dec. 28, 2005.

(51) **LOC (8) Cl.** **28-03**

(52) **U.S. Cl.** **D28/83**

(58) **Field of Classification Search** D28/64.1,
D28/64.3, 76-84; 132/286-288, 293-307,
132/312-318; 206/581, 823

See application file for complete search history.

(56) **References Cited**

U.S. PATENT DOCUMENTS

D157,125 S * 2/1950 Breen D28/82
D482,494 S * 11/2003 Sheng D28/79

* cited by examiner

Primary Examiner—Jennifer Rivard

(74) *Attorney, Agent, or Firm*—Warner Norcross & Judd LLP

(57) **CLAIM**

The ornamental design for a compact, as shown and described.

DESCRIPTION

FIG. 1 is a perspective view of the compact embodying a first embodiment of the new design;

FIG. 2 is a front view thereof;

FIG. 3 is a right side view, the left side being a mirror image thereof;

FIG. 4 is a rear view thereof;

FIG. 5 is a top view thereof;

FIG. 6 is a bottom view thereof;

FIG. 7 is a perspective view of the compact embodying a second embodiment of the new design;

FIG. 8 is a front view thereof;

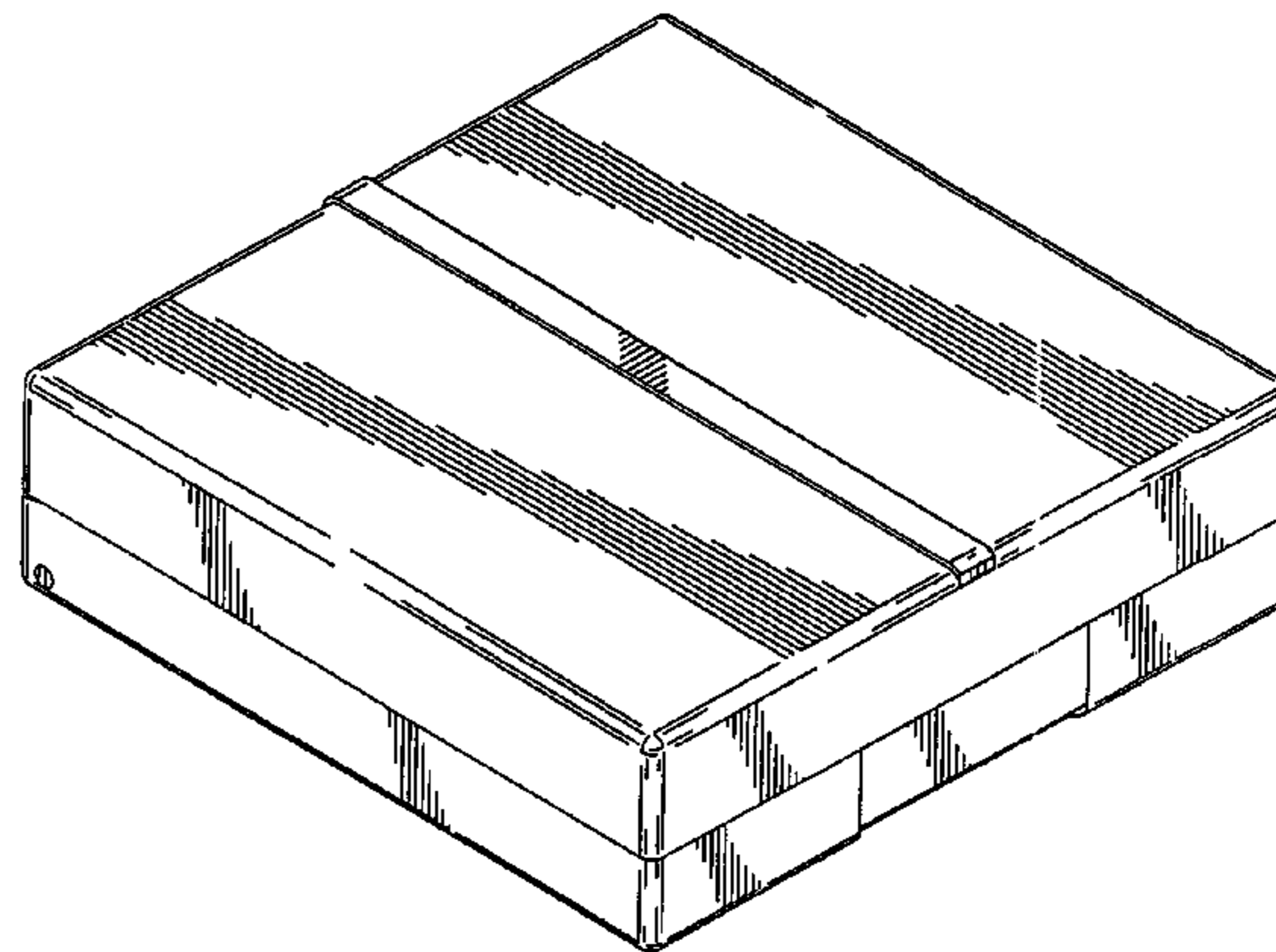
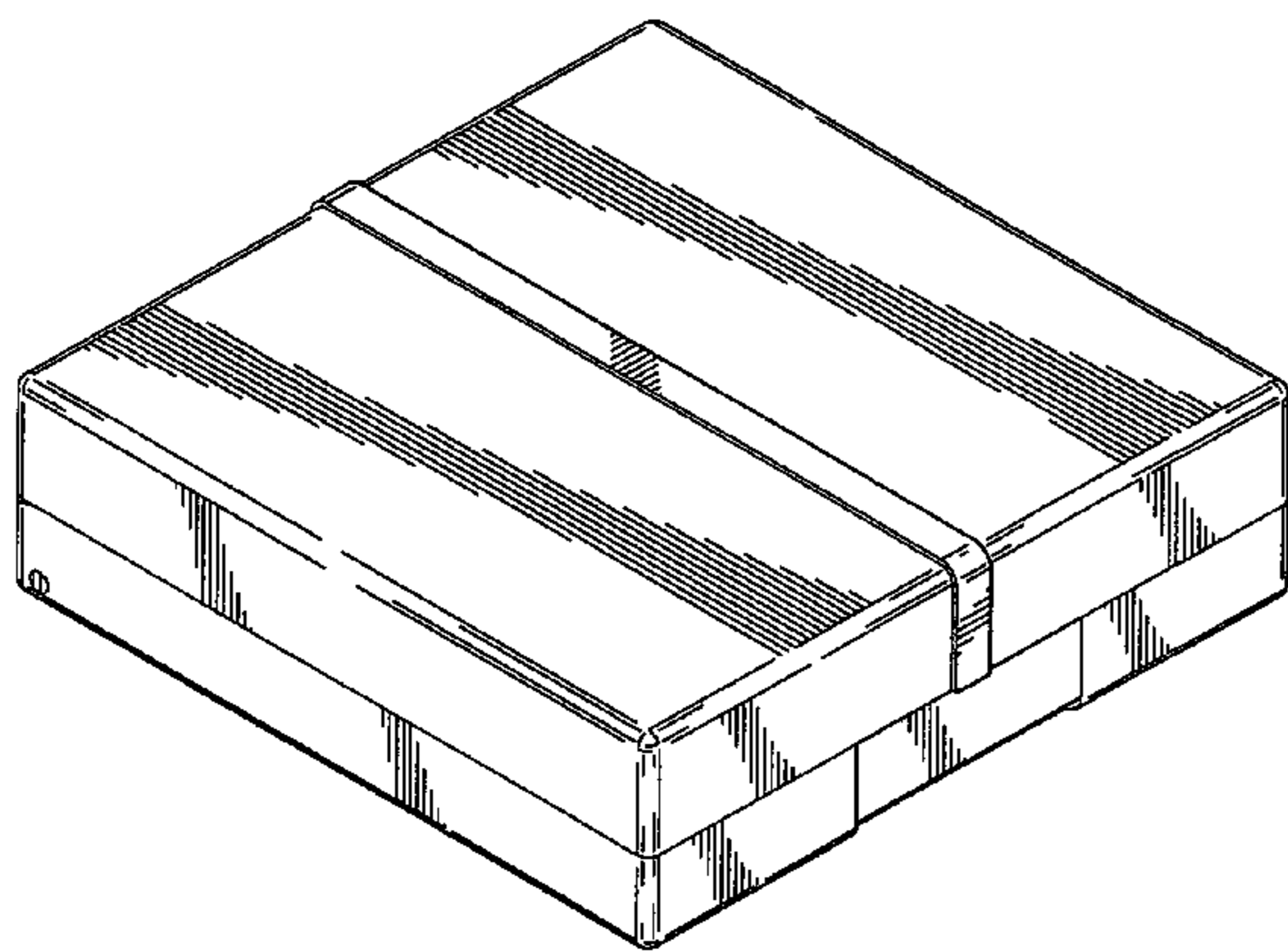
FIG. 9 is a right side view, the left side being a mirror image thereof;

FIG. 10 is a rear view thereof;

FIG. 11 is a top view thereof; and,

FIG. 12 is a bottom plan view thereof.

1 Claim, 8 Drawing Sheets



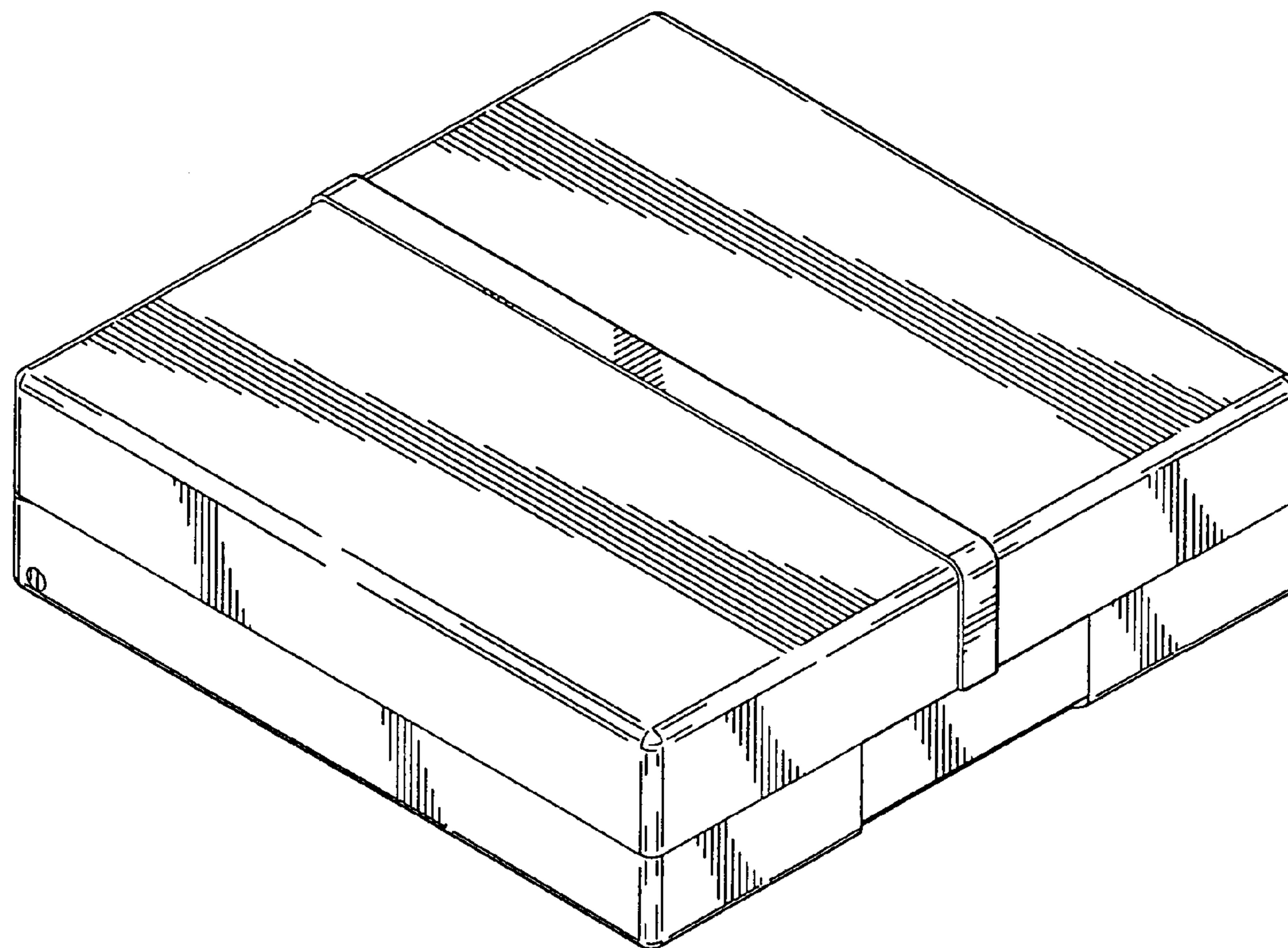


FIG. 1

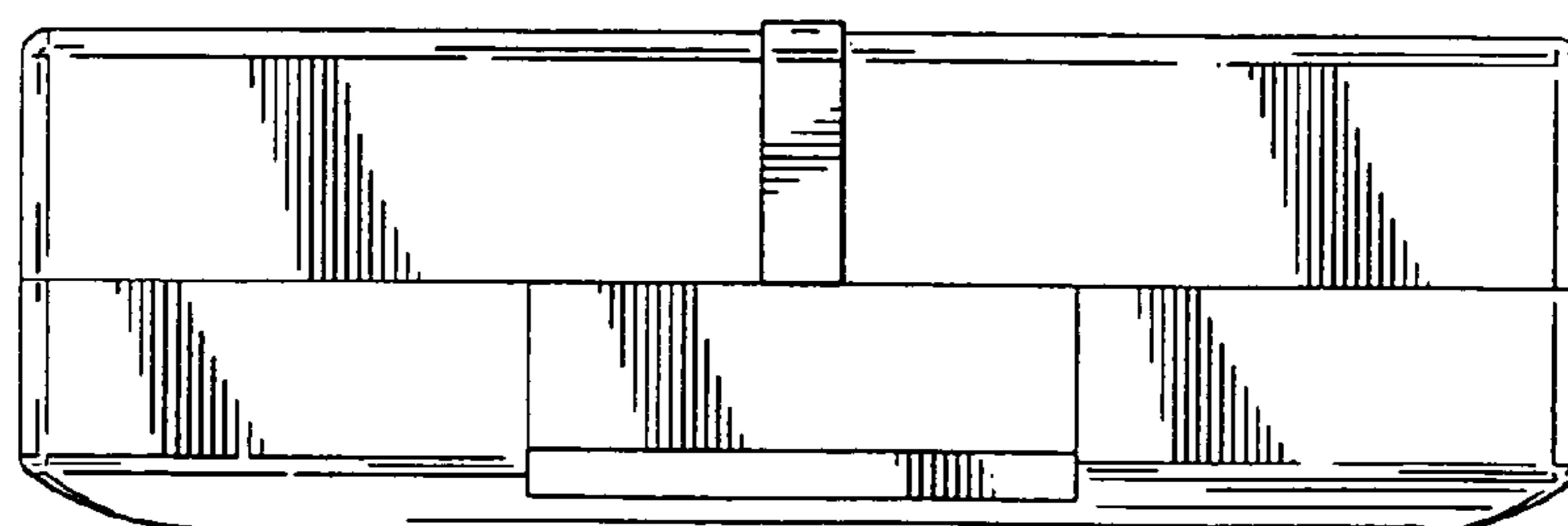


FIG. 2

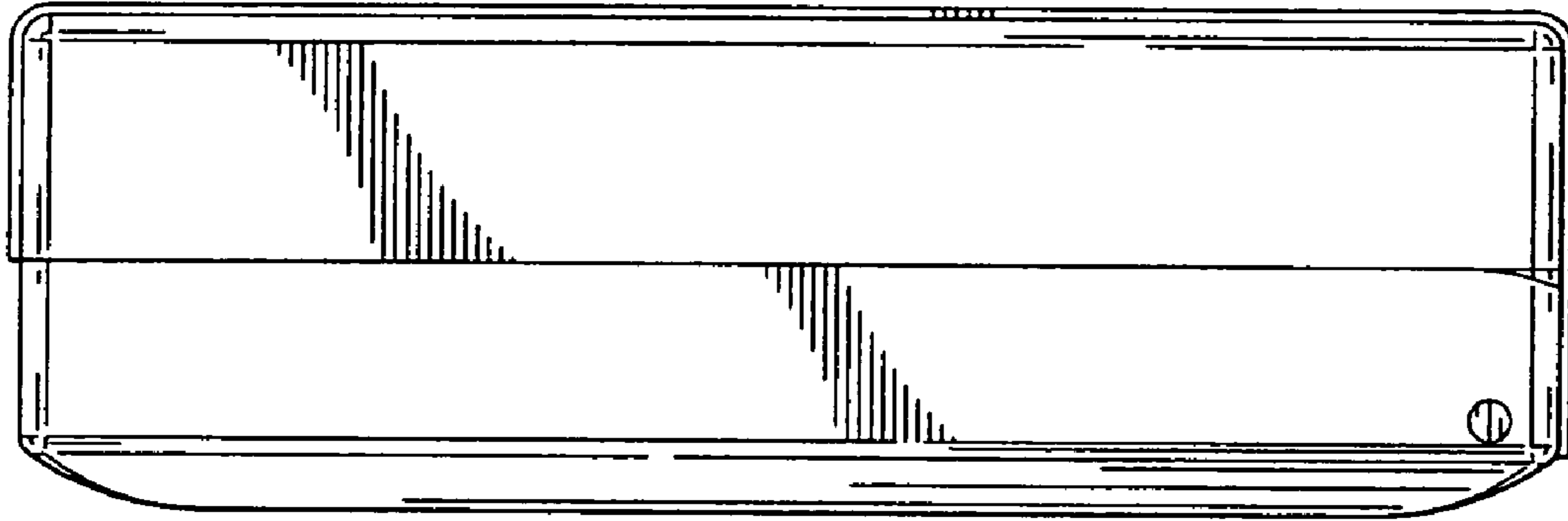


FIG. 3

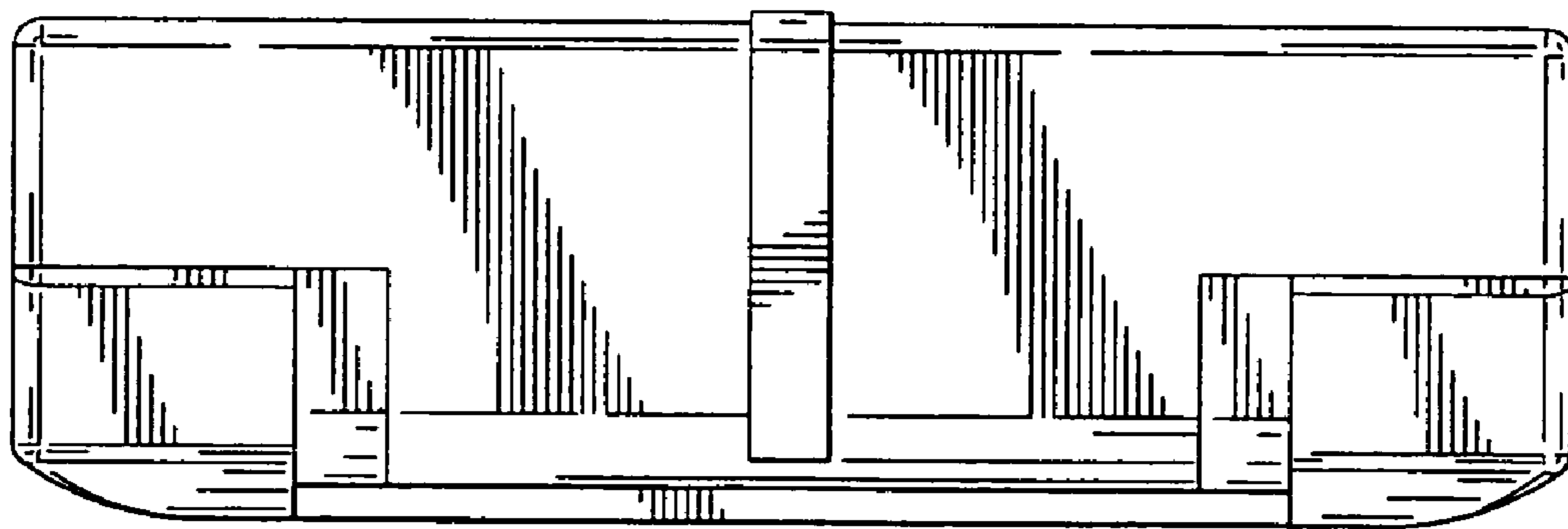


FIG. 4

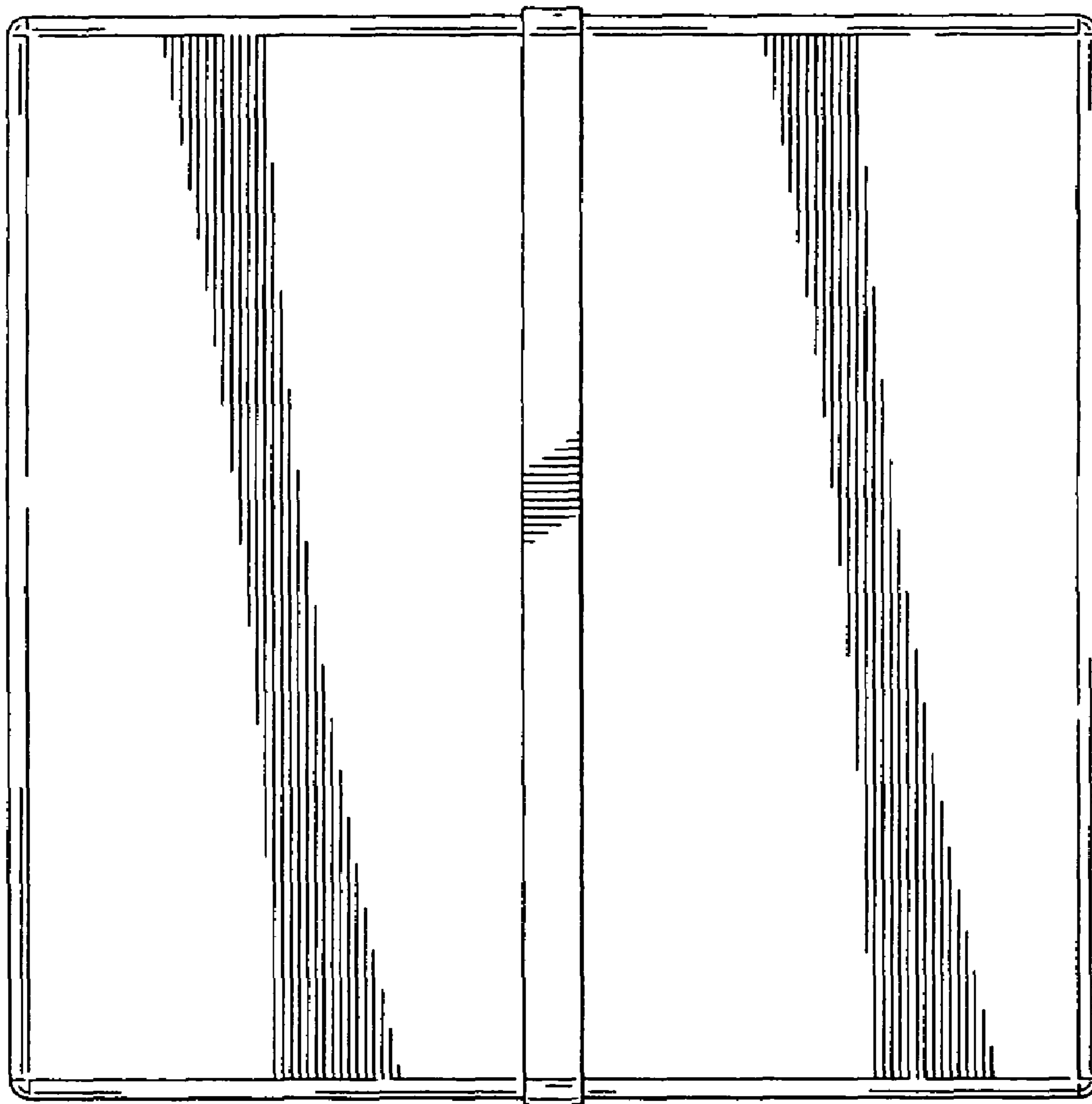


FIG. 5

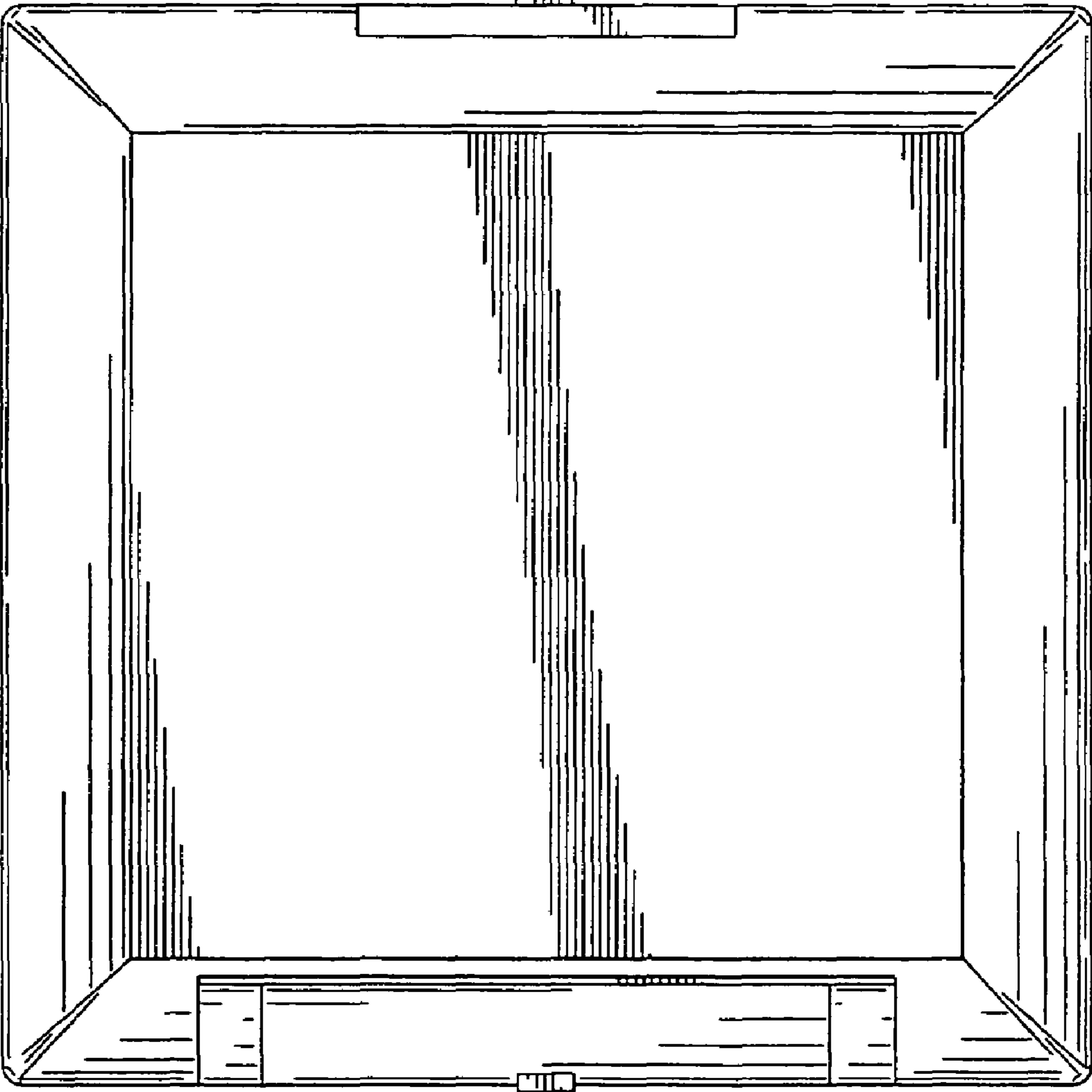


FIG. 6

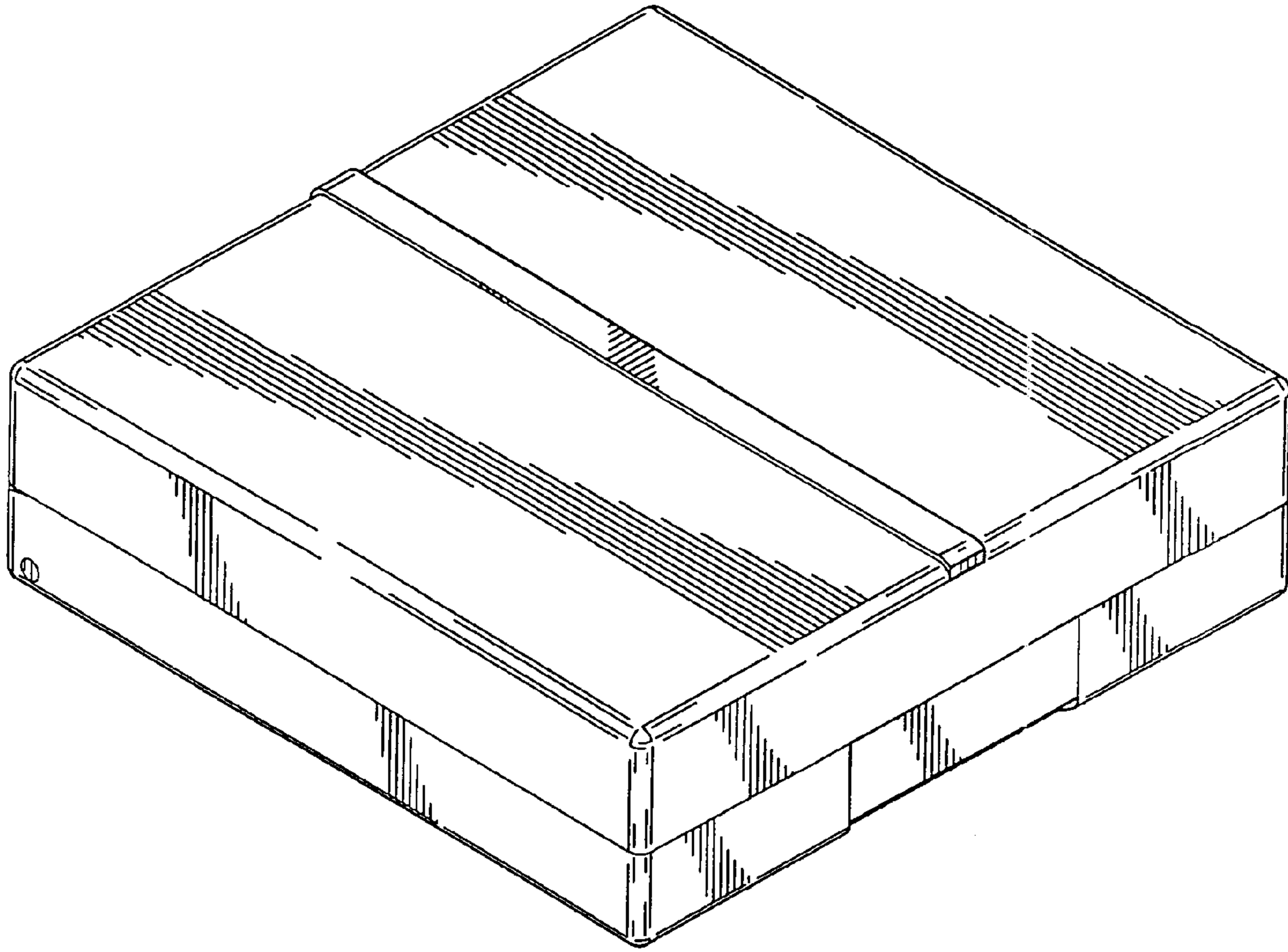


FIG. 7

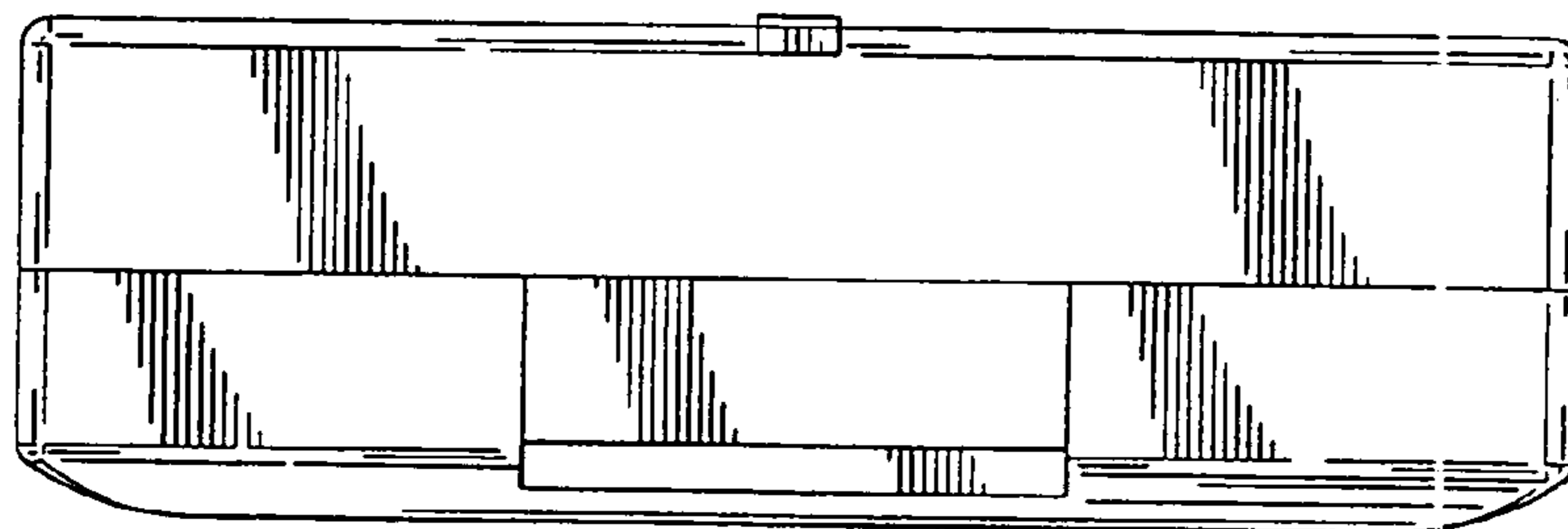


FIG. 8

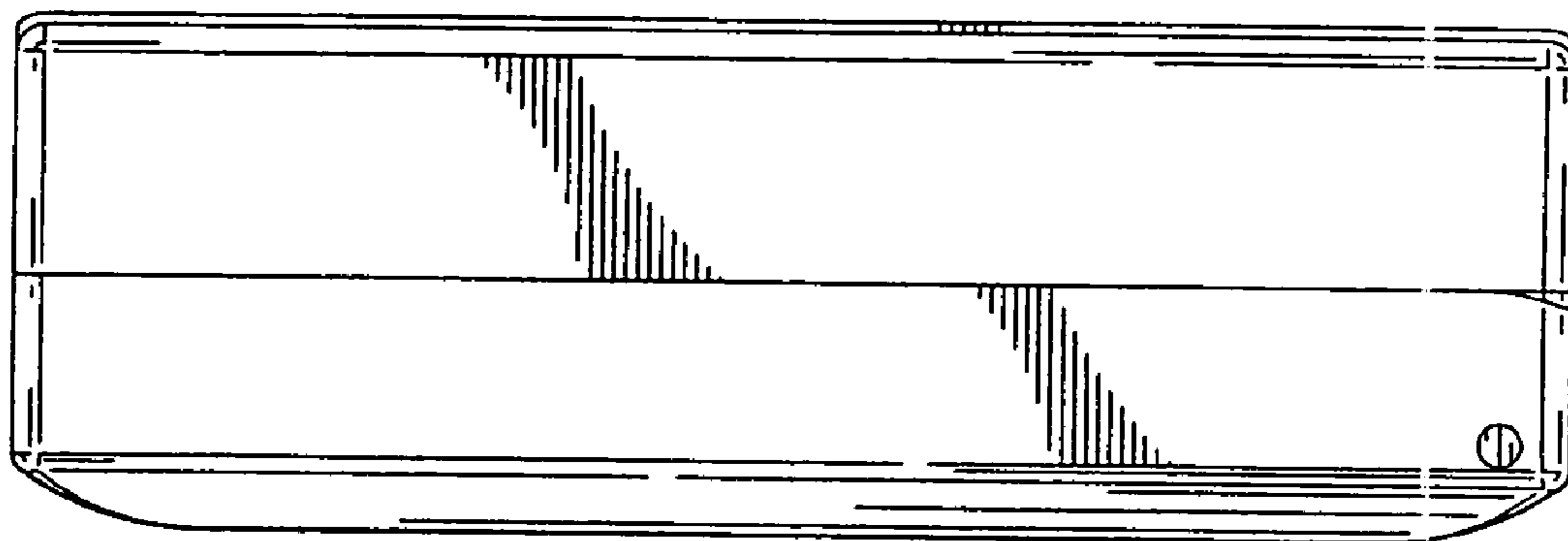


FIG. 9

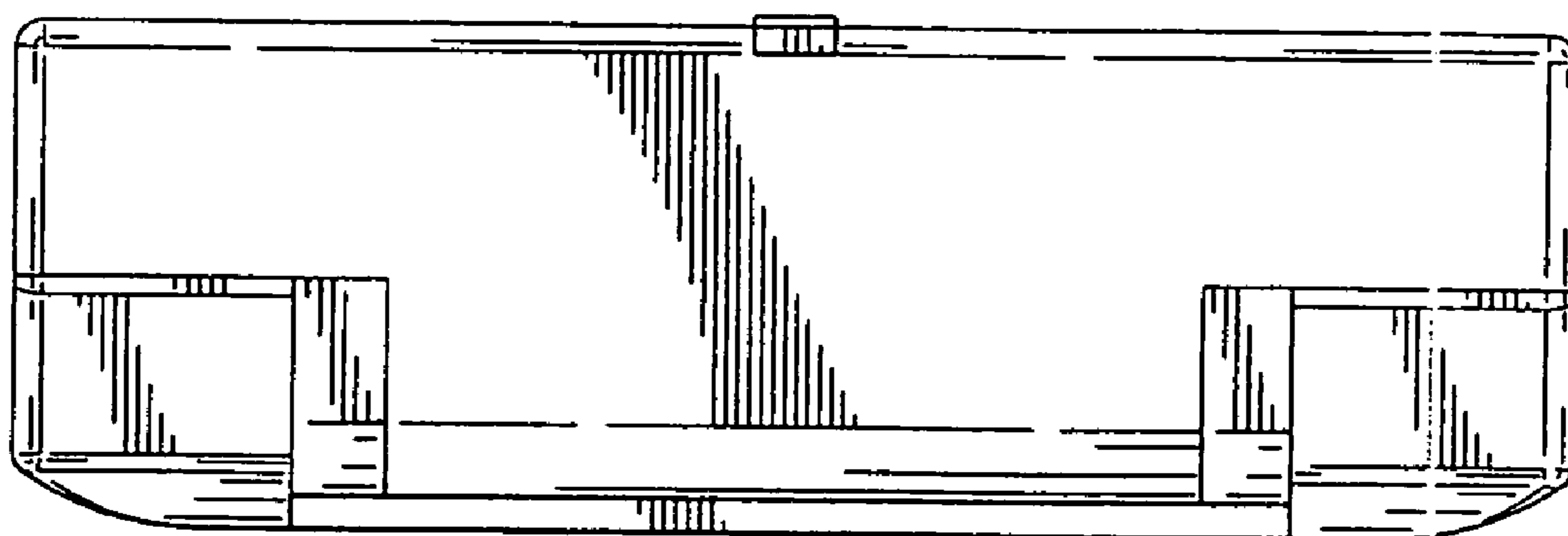


FIG. 10

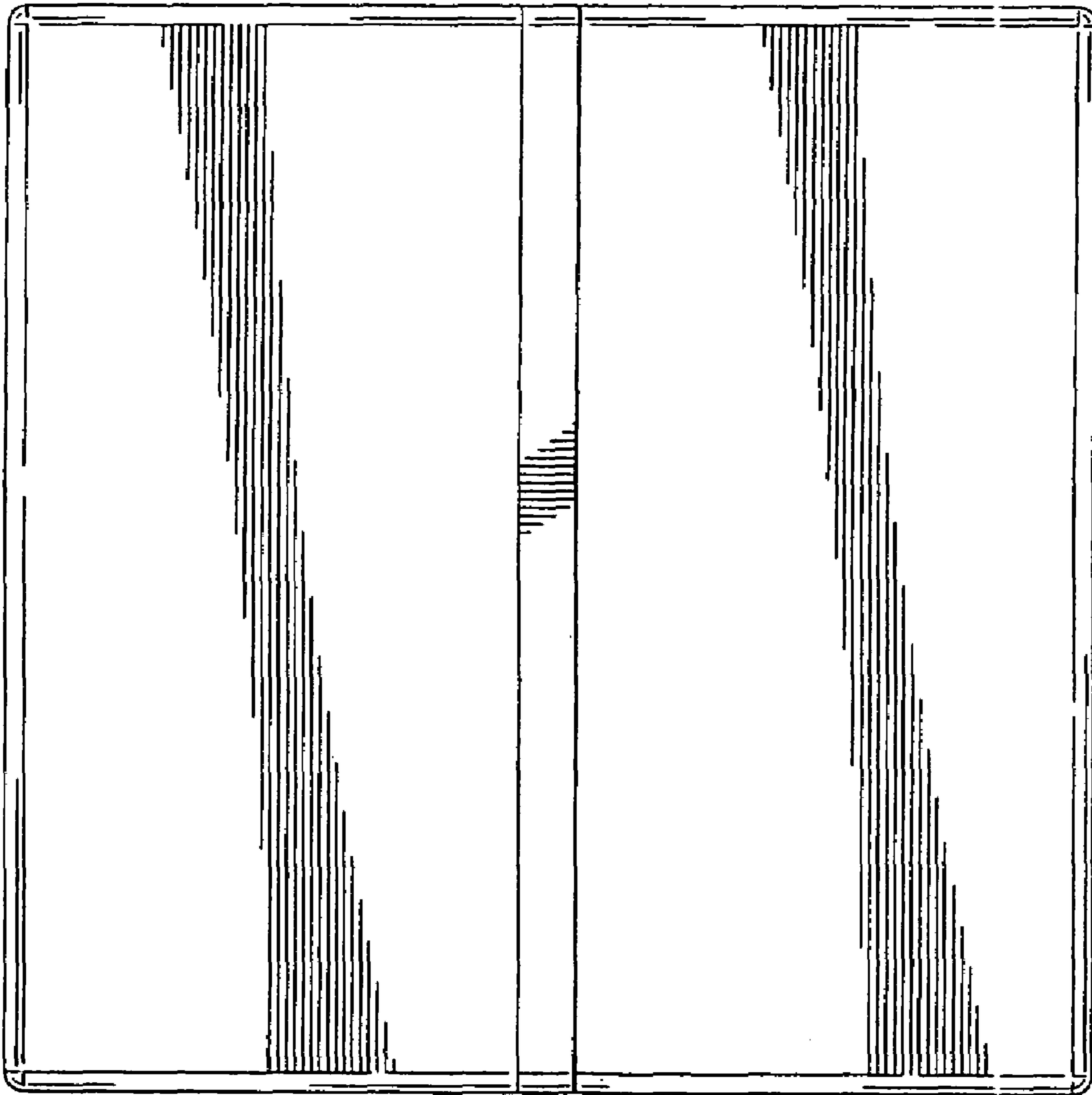


FIG. 11

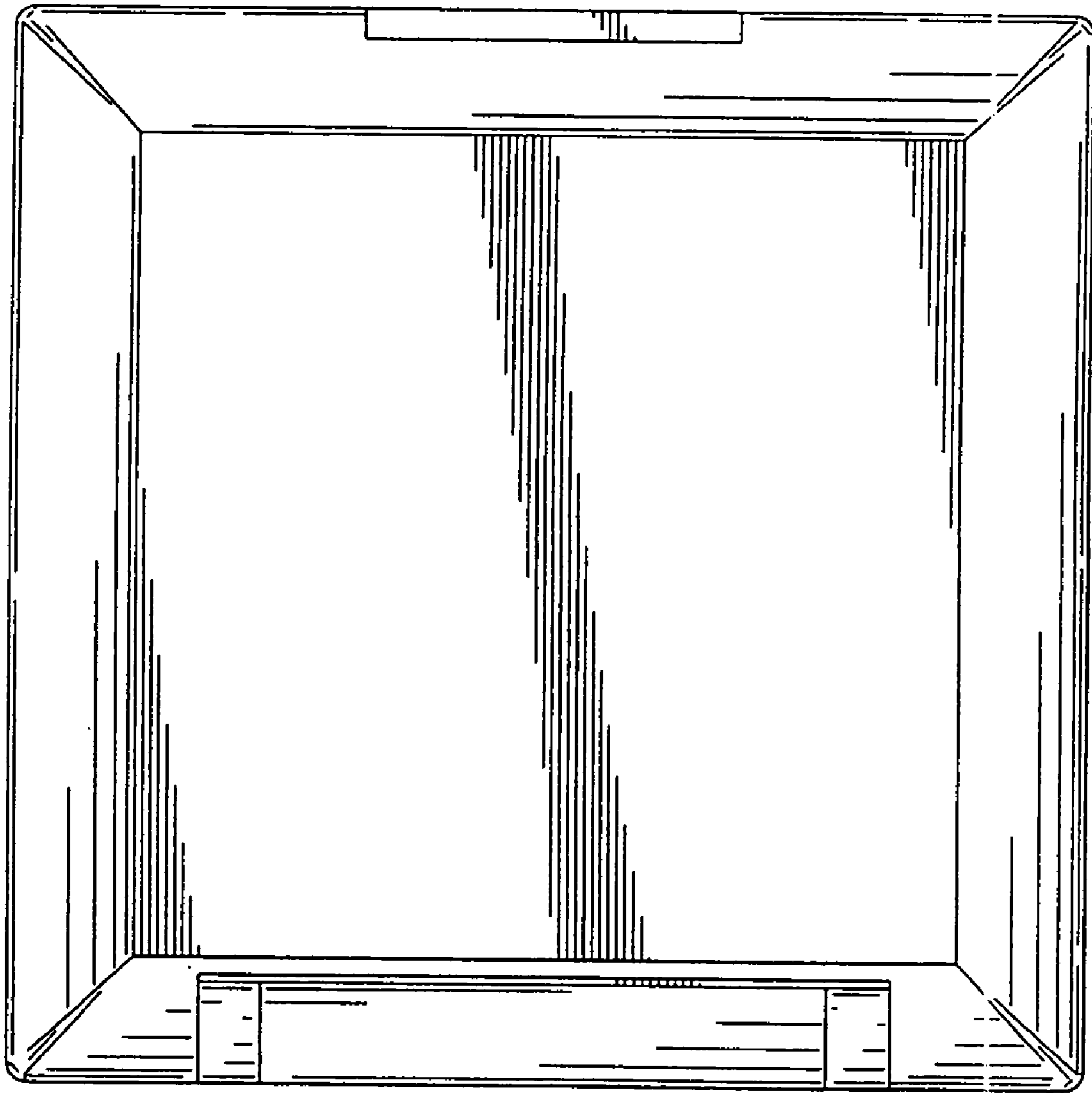


FIG. 12