



US00D551802S

(12) **United States Design Patent**
Rubin et al.

(10) **Patent No.:** **US D551,802 S**

(45) **Date of Patent:** **** Sep. 25, 2007**

(54) **PERSONAL CARE TOOL**

(75) Inventors: **Bennett S. Rubin**, Pepper Pike, OH (US); **Ronald Rich**, Burton, OH (US)

(73) Assignee: **Crestwood Partners, LLC**, Mayfield Village, OH (US)

(**) Term: **14 Years**

(21) Appl. No.: **29/234,122**

(22) Filed: **Jul. 14, 2005**

(51) **LOC (8) Cl.** **28-03**

(52) **U.S. Cl.** **D28/60; D8/99; D8/105**

(58) **Field of Classification Search** 132/73,
132/73.5, 75, 75.3-75.6, 76.2, 76.4, 76.5;
30/26-29; D28/56-60

See application file for complete search history.

(56) **References Cited**

U.S. PATENT DOCUMENTS

2,616,436	A *	11/1952	Langley	132/75.5
D198,965	S *	8/1964	Loda	D28/60
3,316,634	A *	5/1967	Bliss	30/28
D210,186	S *	2/1968	Bliss	D28/60
5,261,160	A	11/1993	Castagna		
5,809,600	A	9/1998	Cachot		
5,832,610	A	11/1998	Chaplick		
5,887,306	A	3/1999	Huang		

6,493,893	B1	12/2002	Ackeret		
D497,221	S *	10/2004	Yeung	D28/60
2004/0158989	A1 *	8/2004	Park	30/28

* cited by examiner

Primary Examiner—Jennifer Rivard

(74) *Attorney, Agent, or Firm*—Smith, Gambrell & Russell, LLP

(57) **CLAIM**

The ornamental design for personal care tool, as shown and described.

DESCRIPTION

FIG. 1 is a perspective view of the personal care tool.

FIG. 2 is a front view of the personal care tool.

FIG. 3 is a back view of the personal care tool.

FIG. 4 is a left side view of the personal care tool.

FIG. 5 is right side view of the personal care tool.

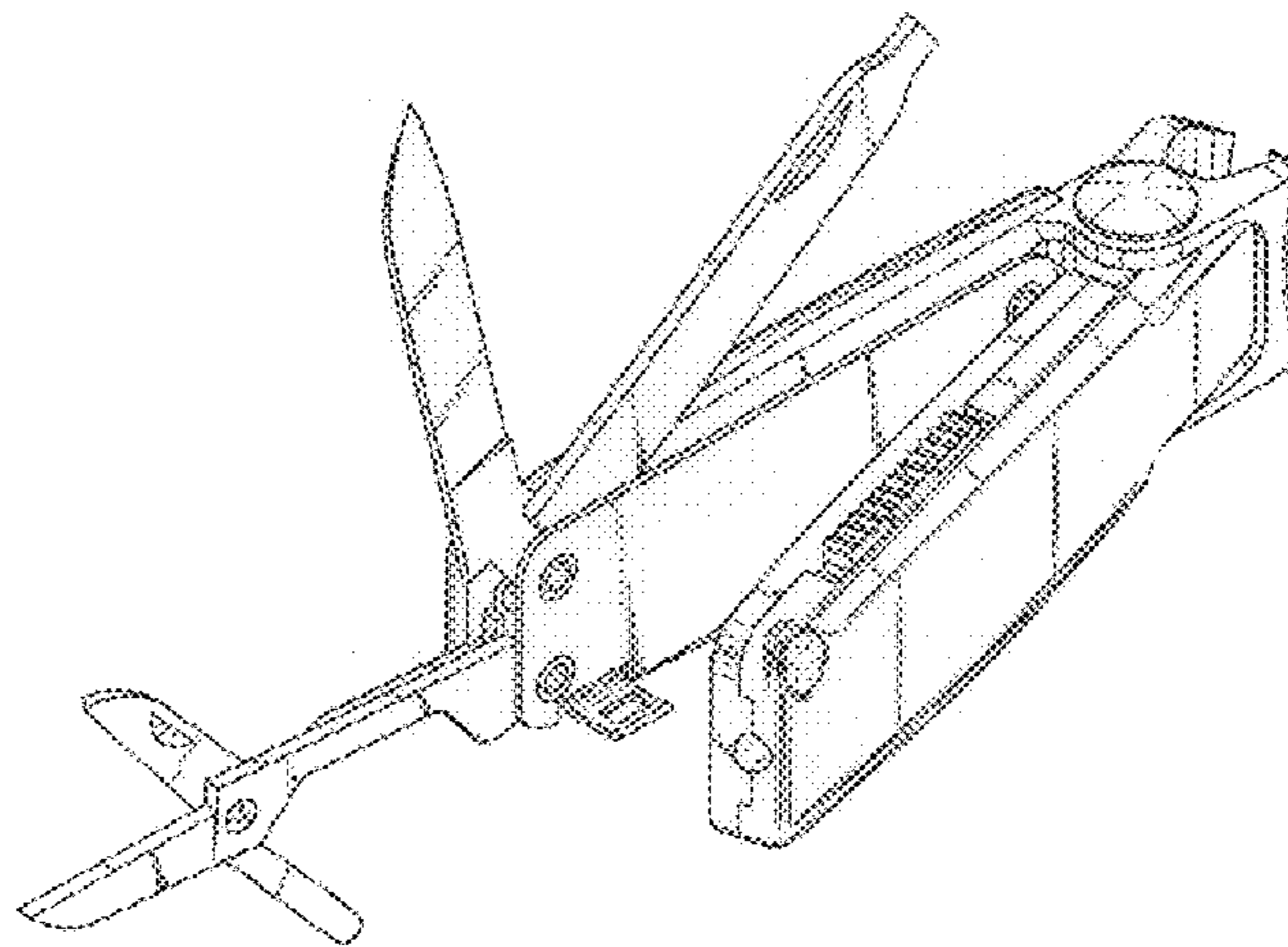
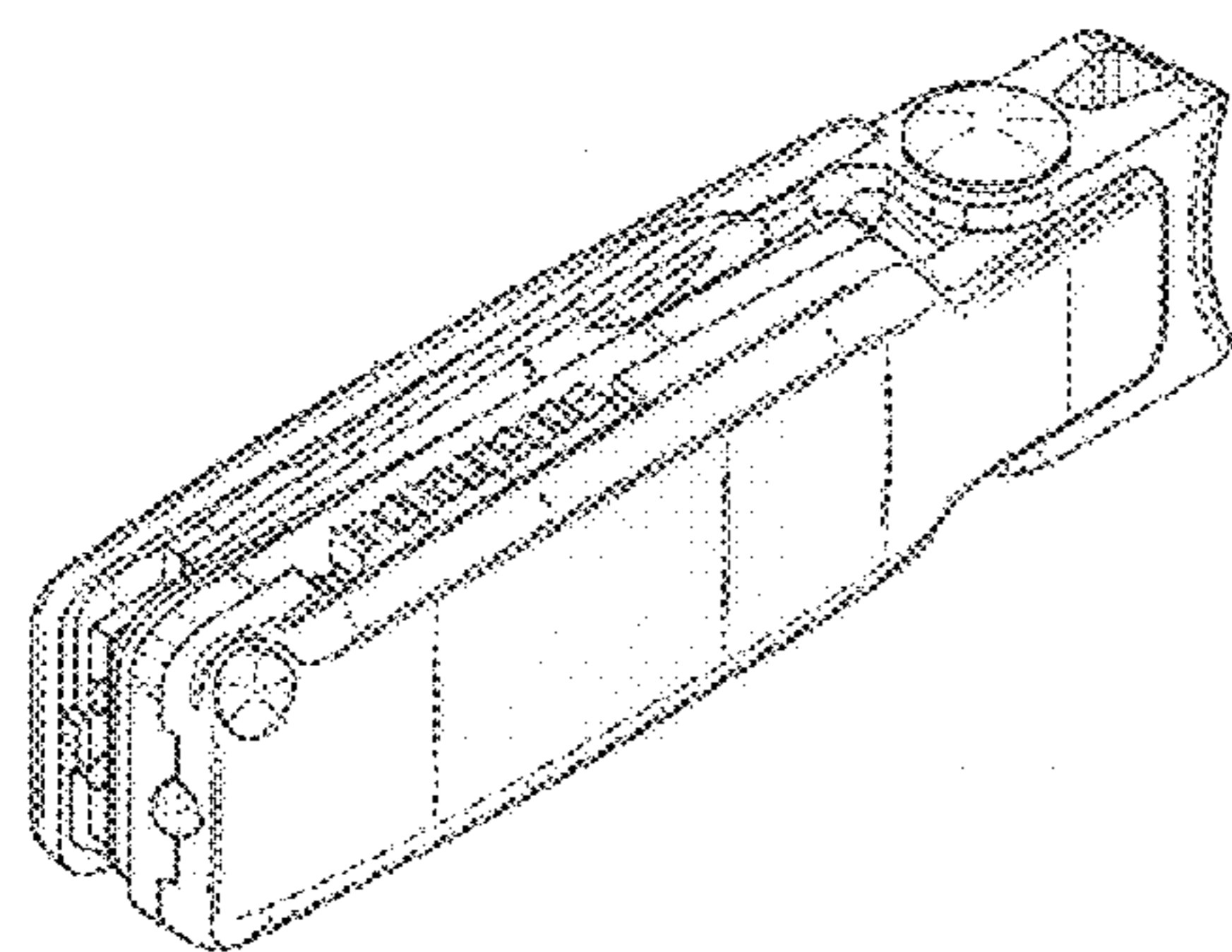
FIG. 6 is a top view of the personal care tool.

FIG. 7 is a bottom view of the personal care tool.

FIG. 8 is a perspective view of the personal care tool showing the tools extended; and,

FIG. 9 is a perspective view of the personal care tool showing the tools extended and the clipper open.

1 Claim, 6 Drawing Sheets



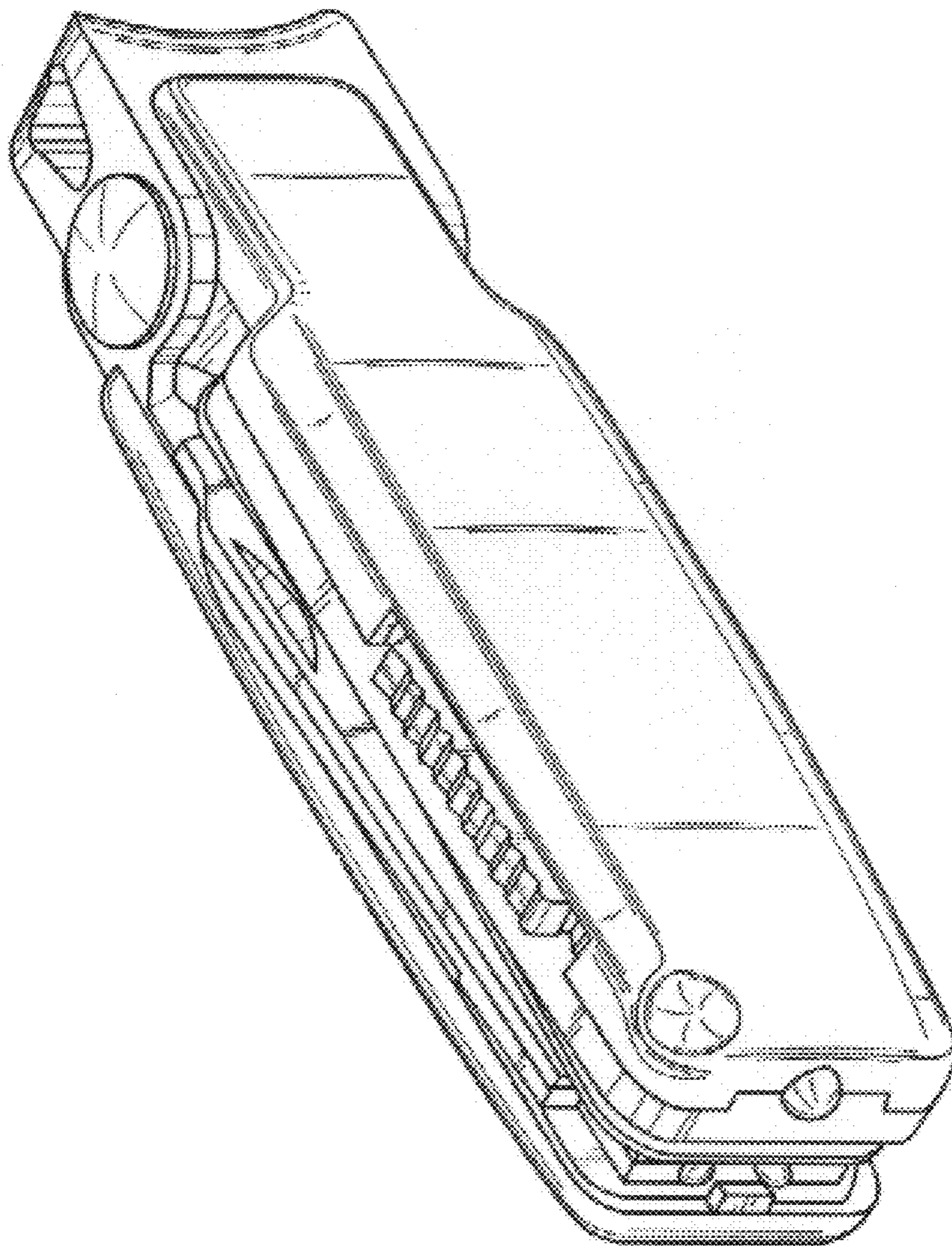


Fig. 1

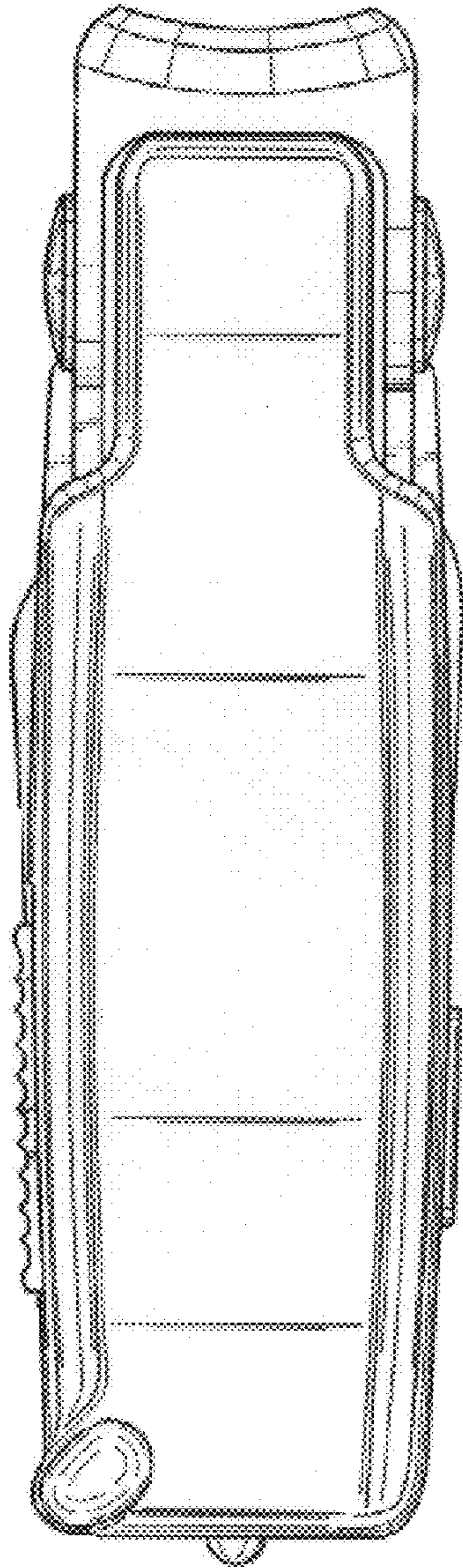


Fig. 2

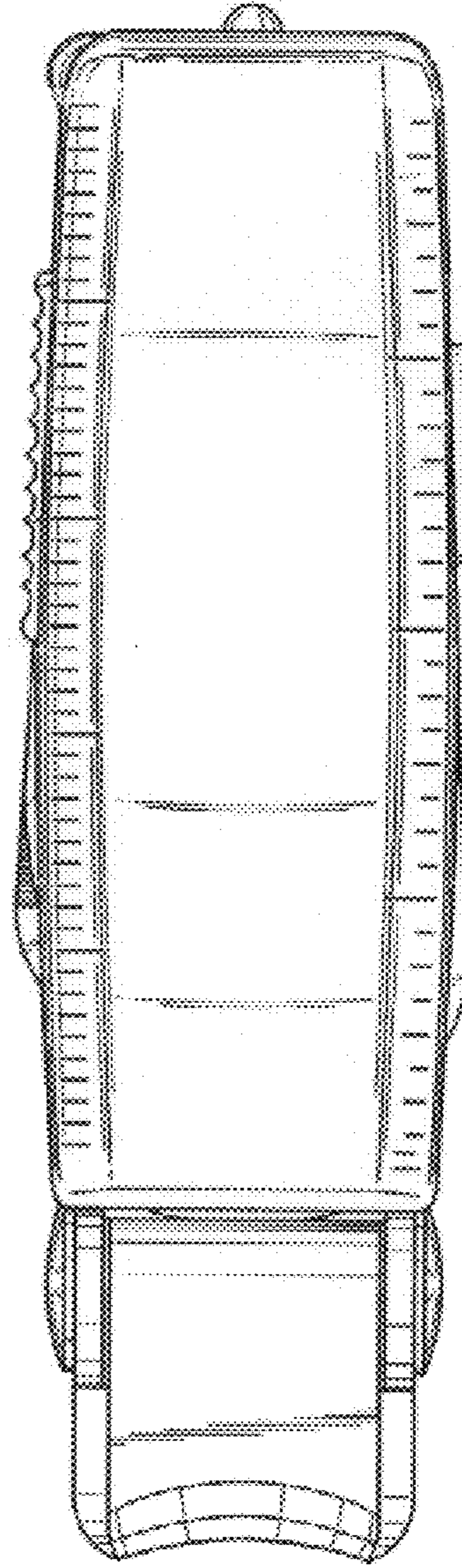


Fig. 3

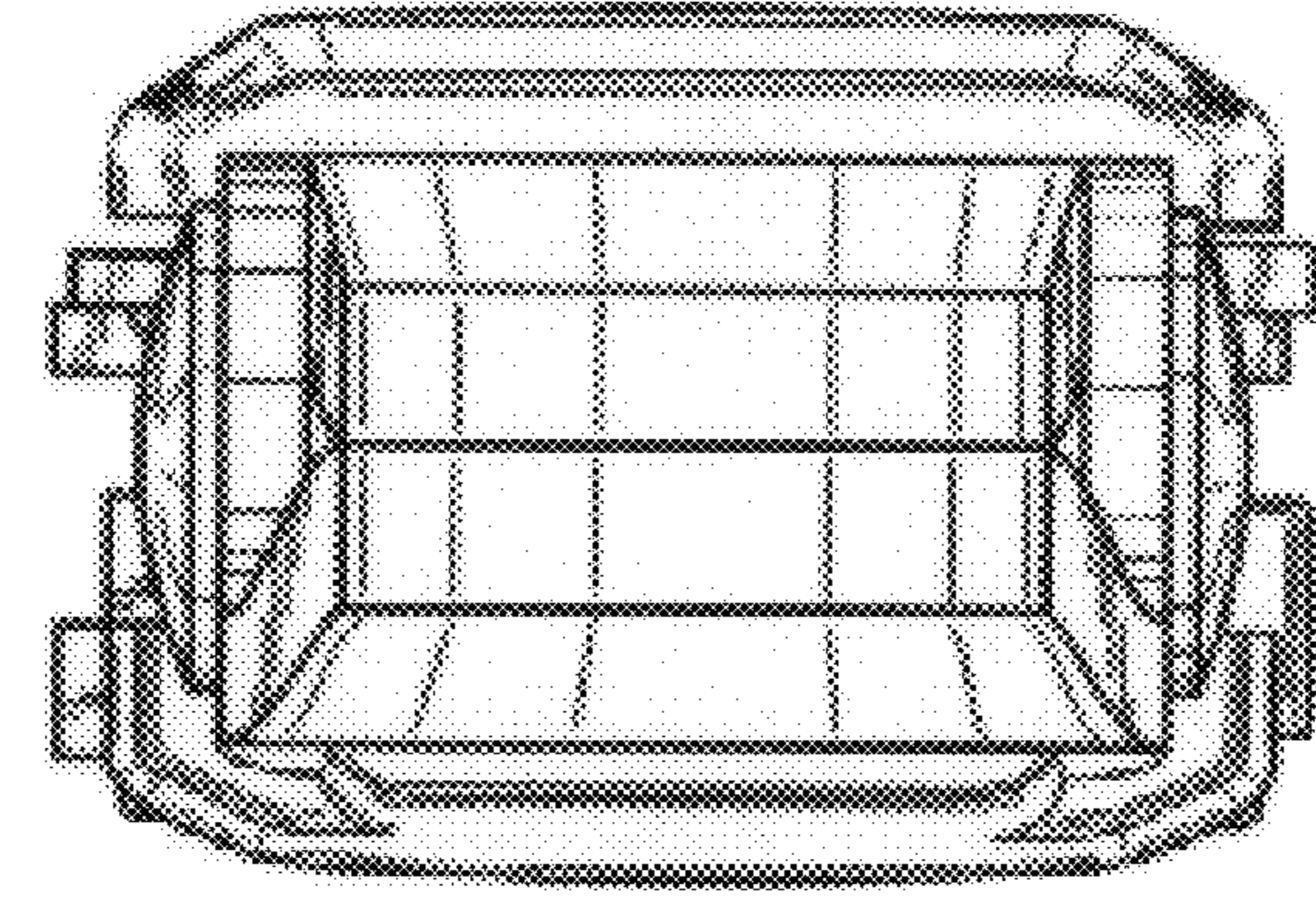


Fig. 5

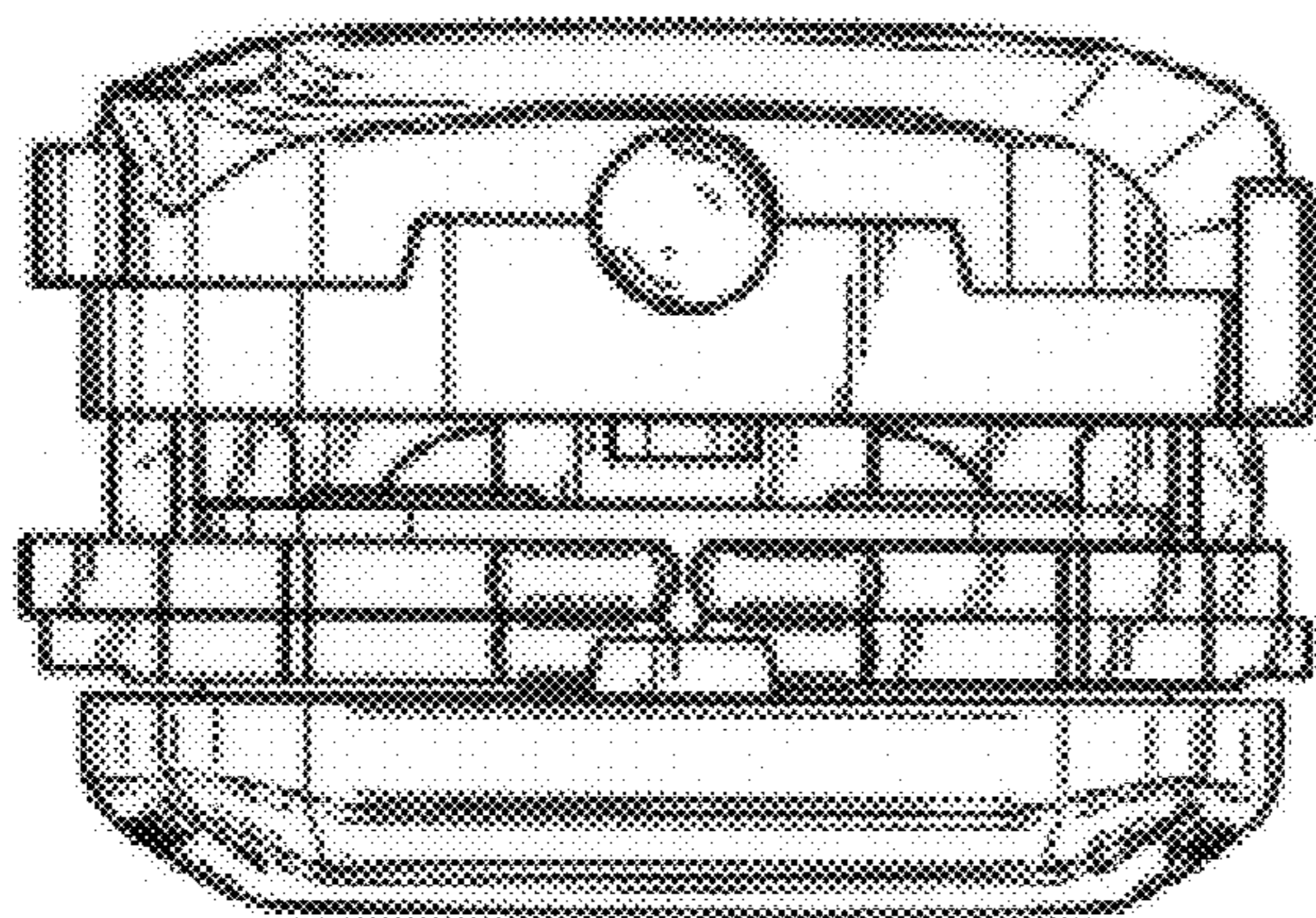


Fig. 4

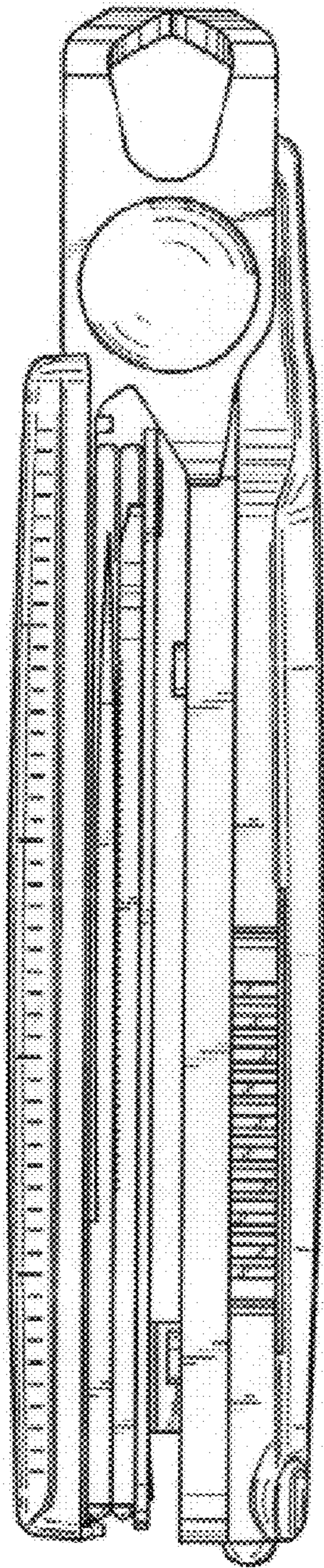


Fig. 6

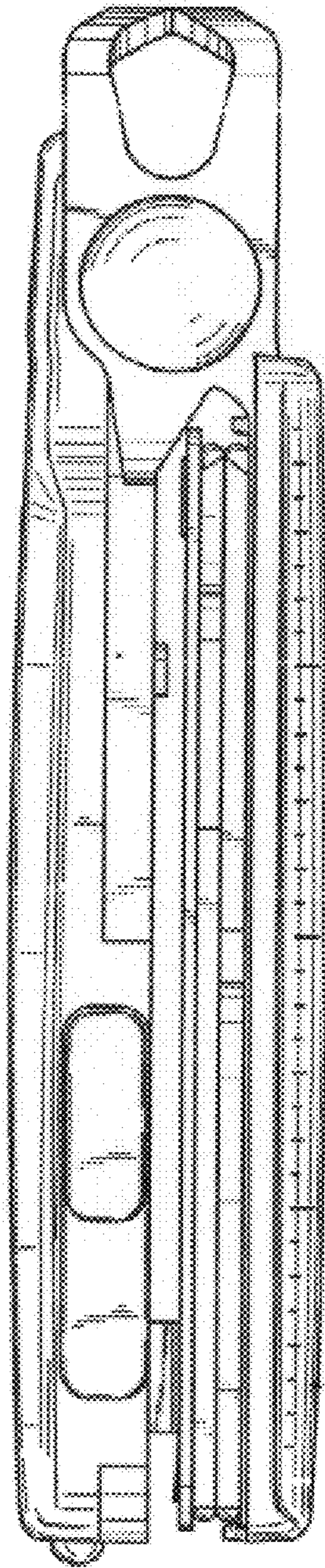


Fig. 7

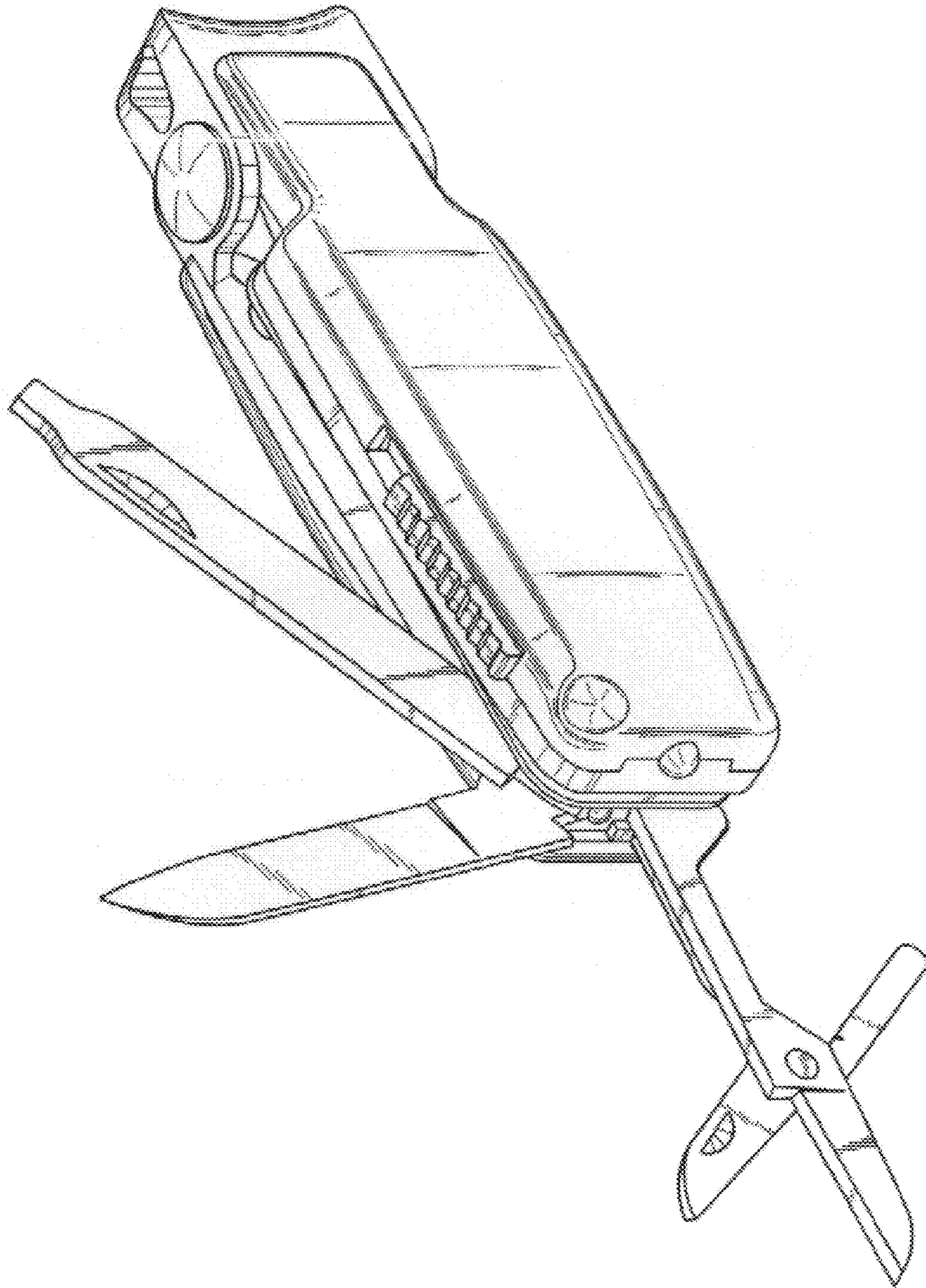


Fig. 8

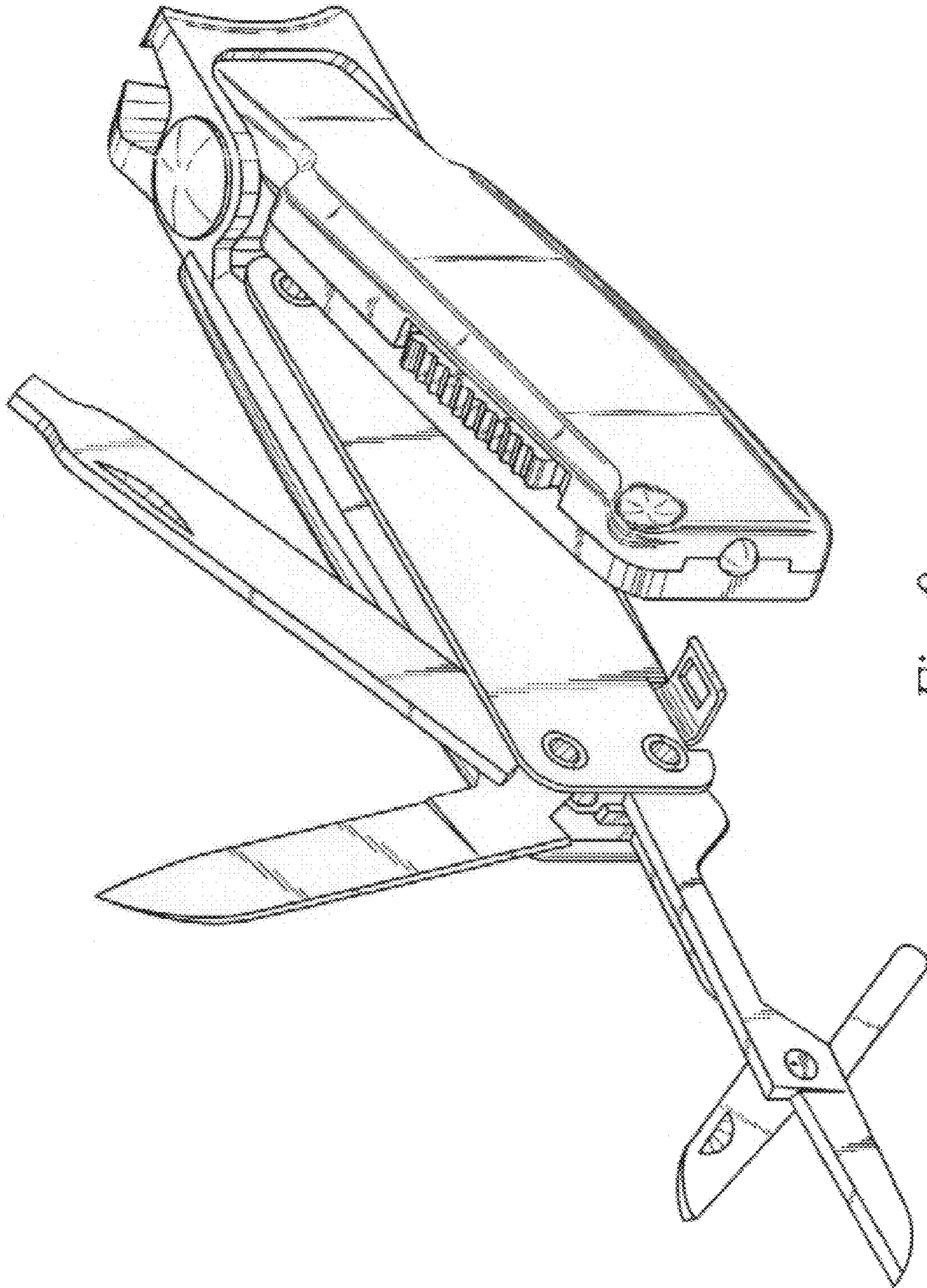


Fig. 9