



US00D551798S

(12) **United States Design Patent**  
**McGuire**

(10) **Patent No.:** **US D551,798 S**

(45) **Date of Patent:** **\*\* Sep. 25, 2007**

(54) **DOUSING CONTAINER FOR  
EXTINGUISHING AND DISPOSING OF  
CIGARETTE BUTTS**

D361,154 S \* 8/1995 Makinen ..... D27/135

\* cited by examiner

(76) Inventor: **Heather L. McGuire**, 8751 W. Cornell  
Ave., 1#, Lakewood, CO (US) 80227

*Primary Examiner*—Jennifer Rivard

(74) *Attorney, Agent, or Firm*—Edwin H. Crabtree; Ramon  
L. Pizarro

(\*\*) Term: **14 Years**

(57) **CLAIM**

(21) Appl. No.: **29/236,875**

The ornamental design for the dousing container for extin-  
guishing and disposing of cigarette butts, as shown and  
described.

(22) Filed: **Aug. 23, 2005**

**Related U.S. Application Data**

**DESCRIPTION**

(63) Continuation-in-part of application No. 10/396,014,  
filed on Mar. 24, 2003, now abandoned.

FIG. 1 is a perspective view of the dousing container  
illustrating my new design. The broken lines in FIG. 1  
illustrate a cigarette butt being dropped into an opening in  
the top of the dousing container. The broken lines are for  
illustrative purposes only and form no part of the invention.

(51) **LOC (8) Cl.** ..... **27-01**

(52) **U.S. Cl.** ..... **D27/136; D27/133**

(58) **Field of Classification Search** ..... D27/102–105,  
D27/125, 133–137; 131/231, 235.1, 236,  
131/237, 237.5, 238, 240.1–245, 256  
See application file for complete search history.

FIG. 2 is a top view of the dousing container illustrating my  
new design.

FIG. 3 is a side view of the dousing container illustrating the  
subject invention.

(56) **References Cited**

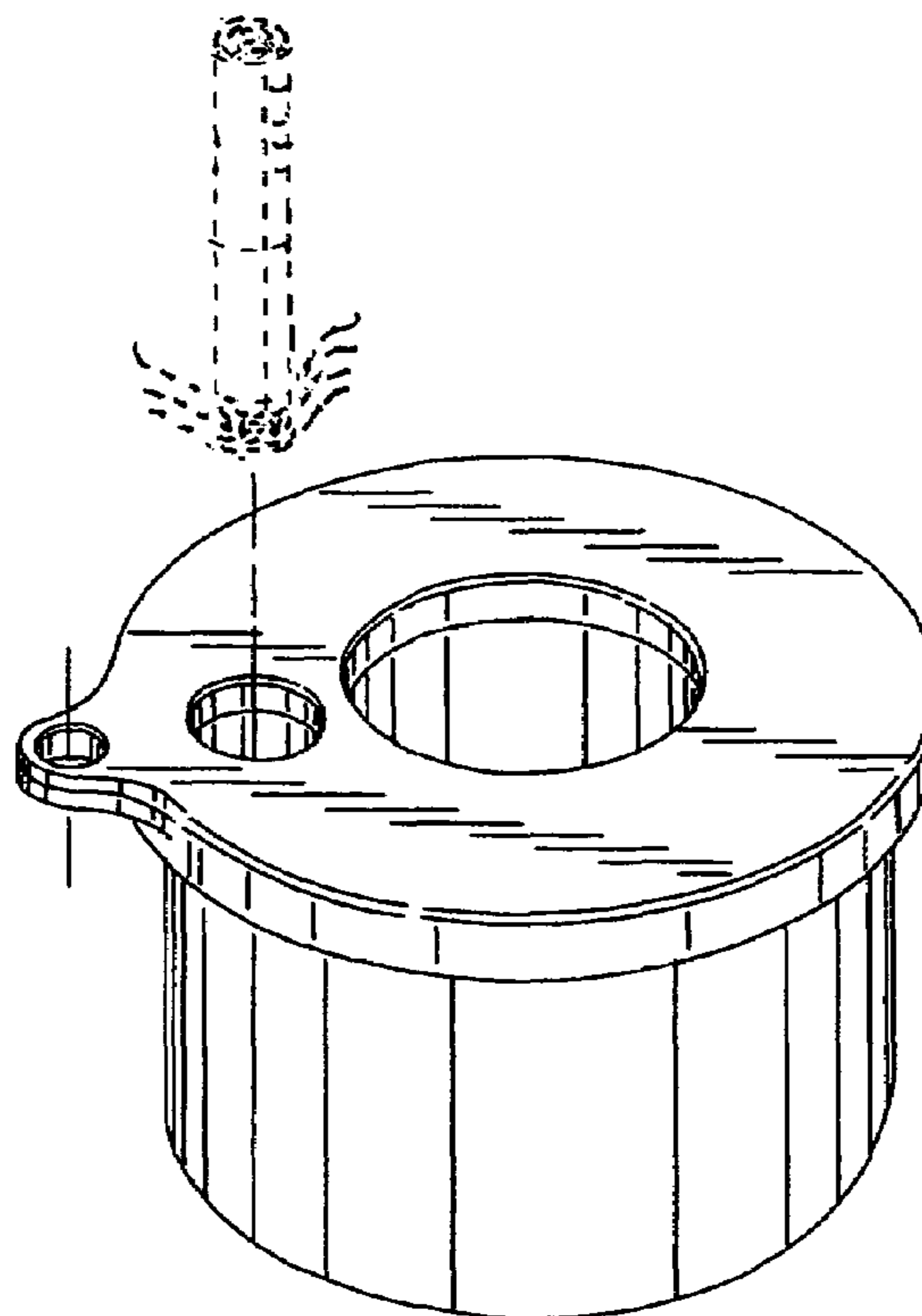
**U.S. PATENT DOCUMENTS**

- 1,828,068 A \* 10/1931 Pringle ..... 131/256
- D212,869 S \* 12/1968 Frisching ..... D27/104
- D275,038 S \* 8/1984 Diebold ..... D27/124
- D275,613 S \* 9/1984 Dodge ..... D27/134

FIG. 4 is an opposite side view of the dousing container;  
and,

FIG. 5 is a bottom view of the dousing container and  
illustrating my new design.

**1 Claim, 2 Drawing Sheets**



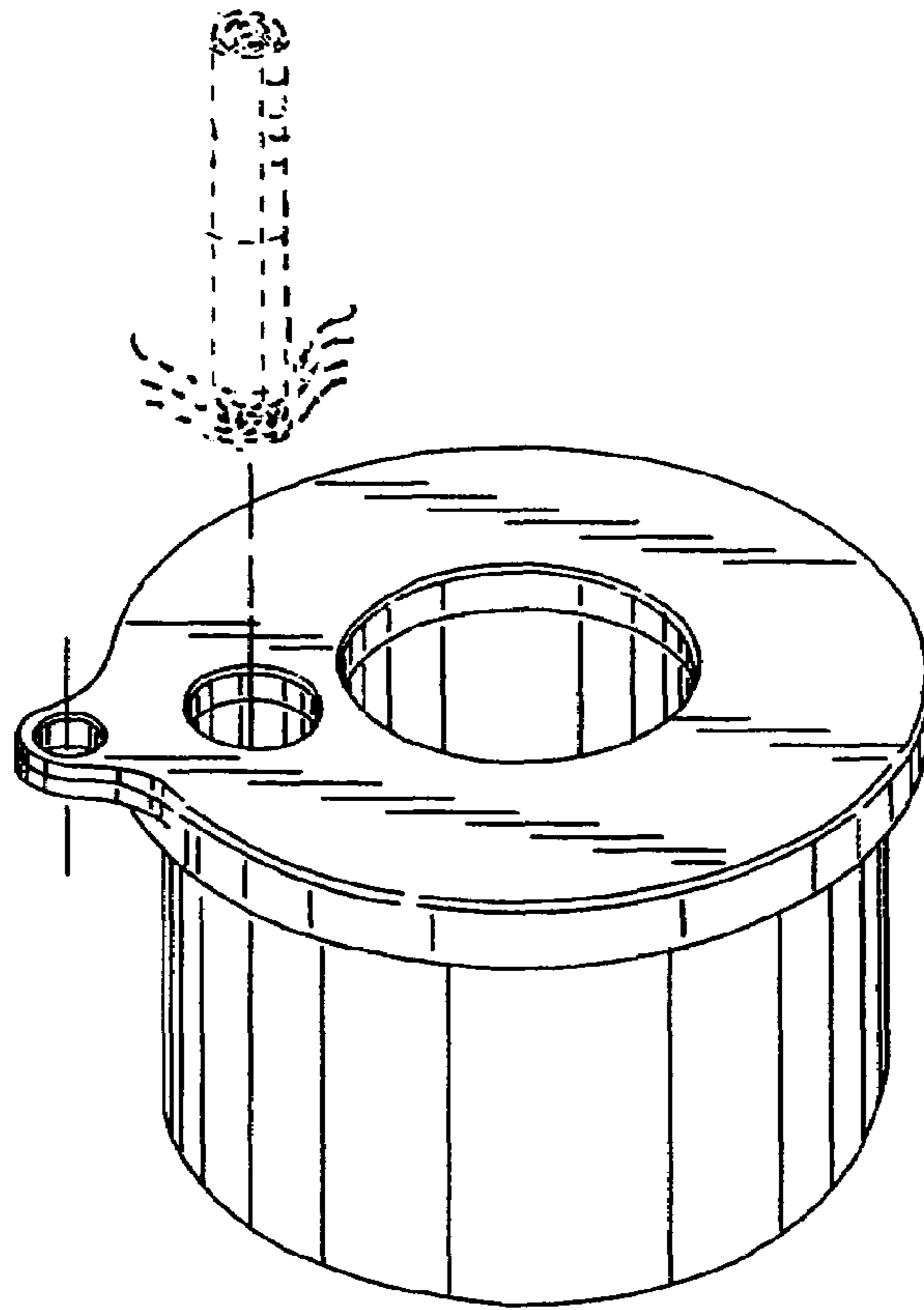


FIG. 1

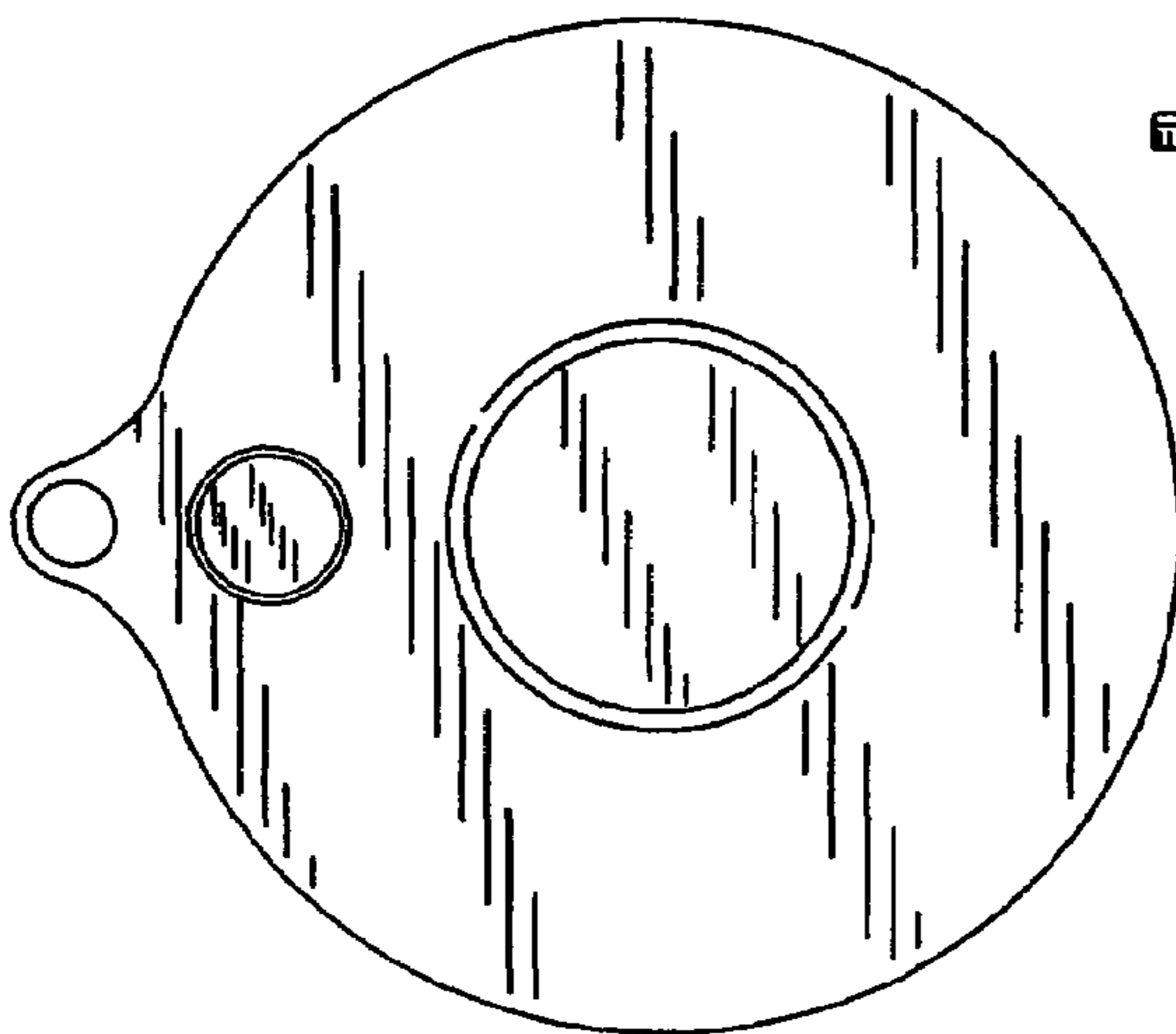


FIG. 2

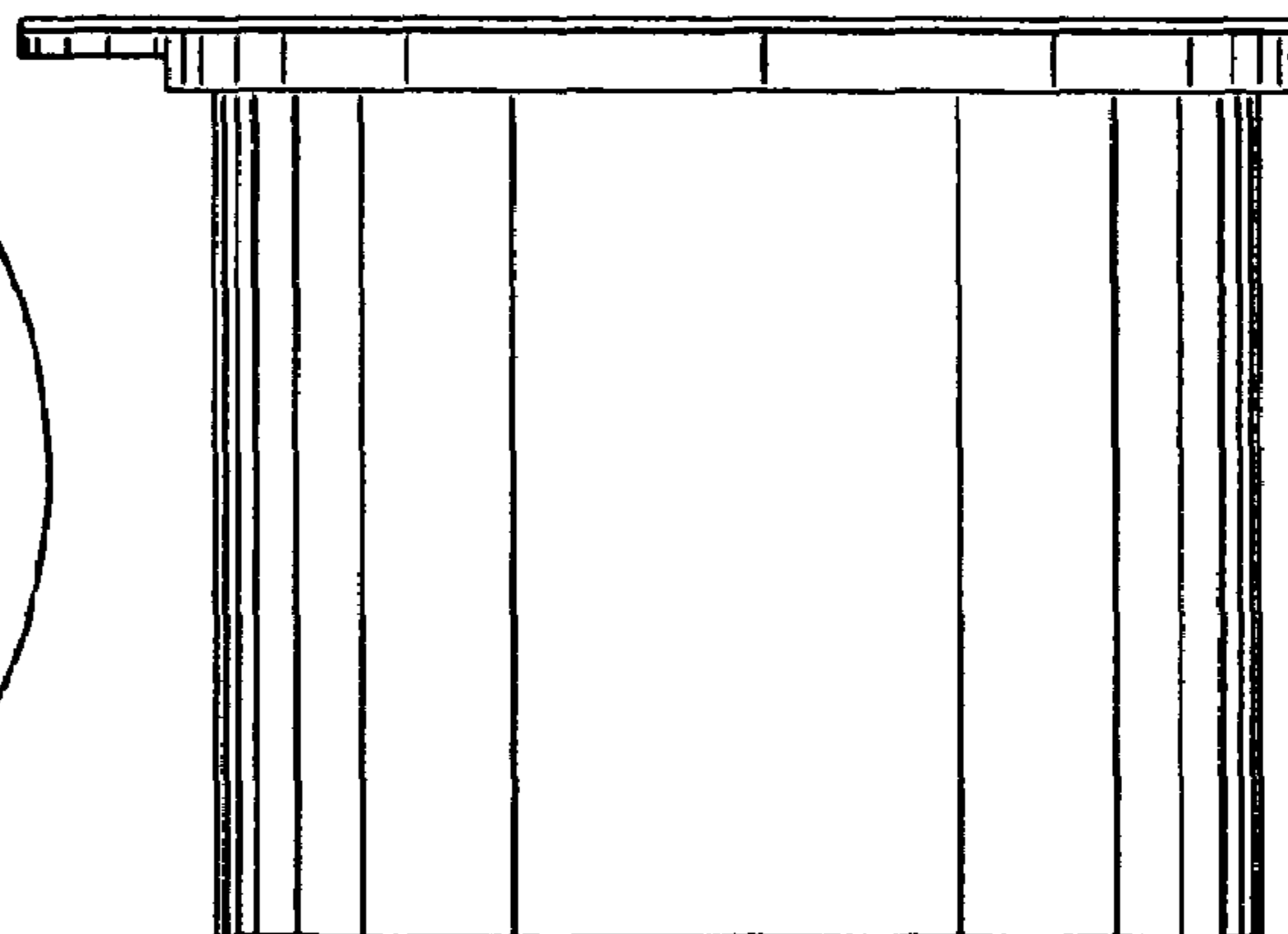


FIG. 3

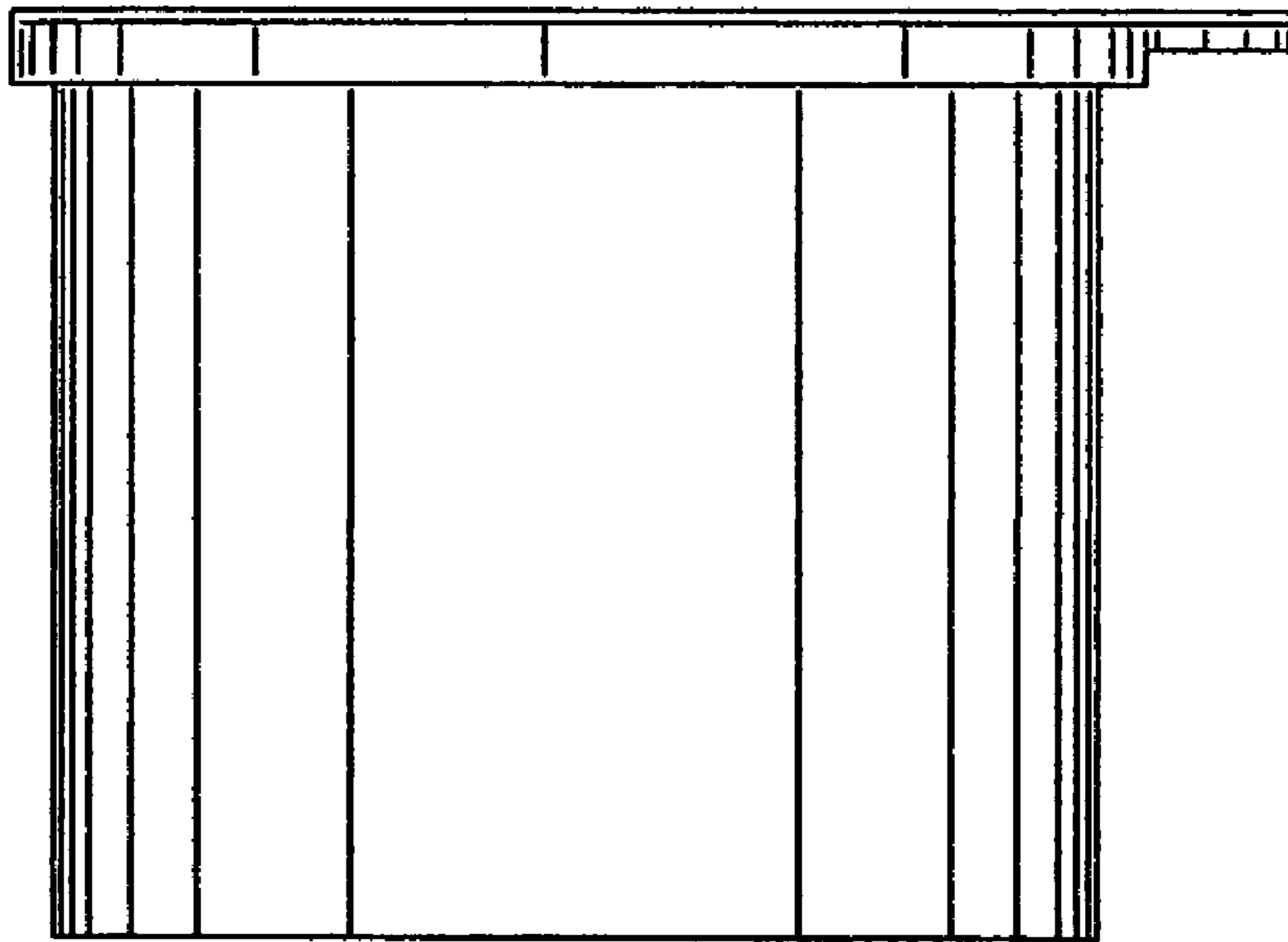


FIG. 4

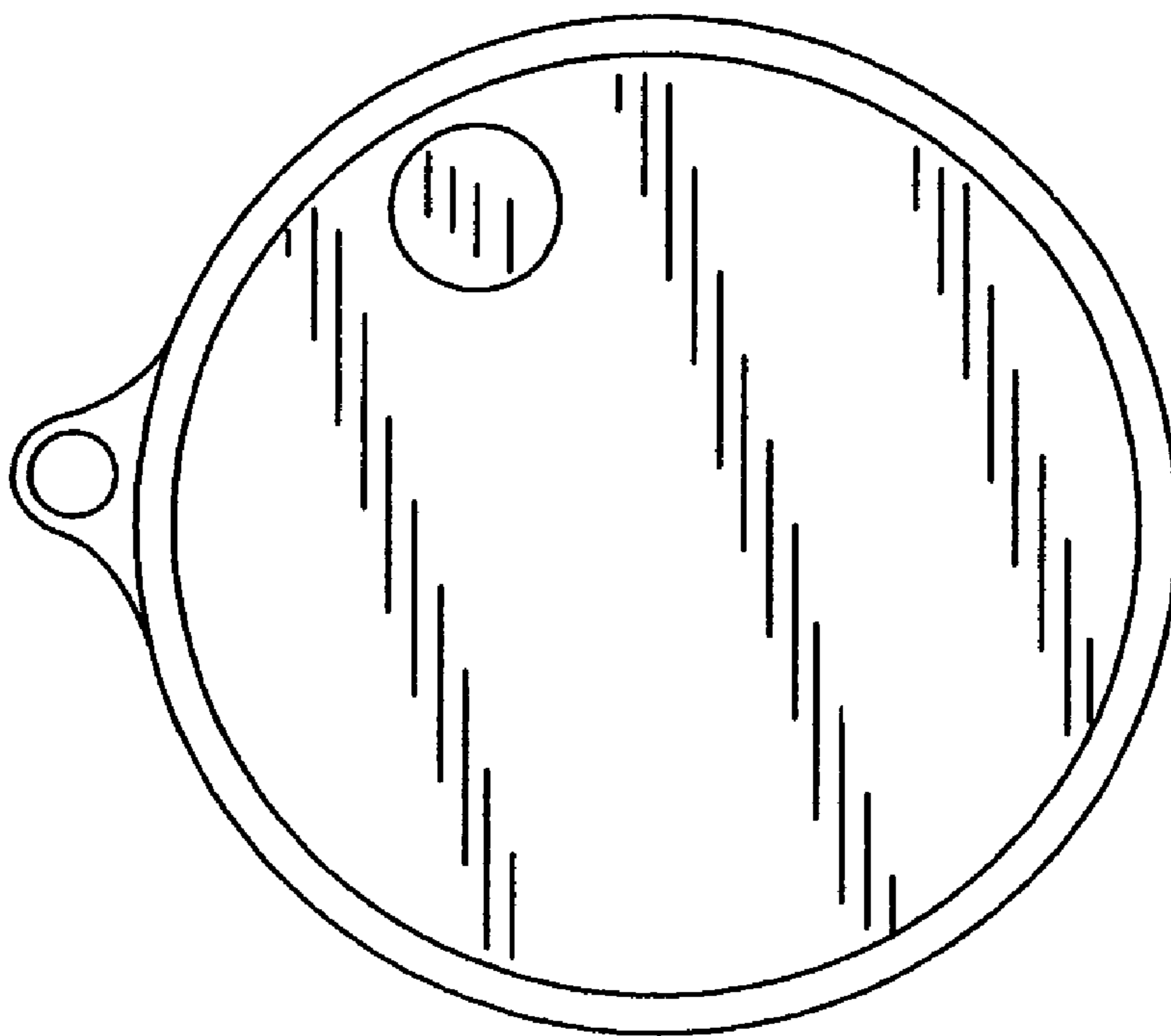


FIG. 5