



US00D551792S

(12) **United States Design Patent**
Philpot et al.

(10) **Patent No.:** **US D551,792 S**

(45) **Date of Patent:** **** Sep. 25, 2007**

(54) **12 VOLT FLUORESCENT LIGHT FIXTURE**

(75) Inventors: **Thomas H. Philpot**, Quincy, MI (US);
Lawrence Karlo, Battle Creek, MI
(US); **Jeffrey L. Cornell**, Coldwater,
MI (US); **Eugene L. Kilbourn**,
Marshall, MI (US)

(73) Assignee: **Progressive Dynamics, Inc.**, Marshall,
MI (US)

(**) Term: **14 Years**

(21) Appl. No.: **29/257,658**

(22) Filed: **Apr. 7, 2006**

(51) **LOC (8) Cl.** **26-03**

(52) **U.S. Cl.** **D26/76**

(58) **Field of Classification Search** D26/72,
D26/74-79; 362/217-225

See application file for complete search history.

(56) **References Cited**

U.S. PATENT DOCUMENTS

D150,735 S *	8/1948	Schwartz et al.	D26/78
D300,951 S *	5/1989	Hughes et al.	D26/78
D318,929 S *	8/1991	Herst et al.	D26/76
D362,315 S *	9/1995	Herst et al.	D26/76
D404,161 S *	1/1999	Herst et al.	D26/76
6,247,828 B1 *	6/2001	Herst	362/217
D457,981 S *	5/2002	Yeh	D26/76
D464,161 S *	10/2002	Nourishad	D26/78
D493,565 S *	7/2004	Smith et al.	D26/118
D498,018 S *	11/2004	Sieczkowski	D26/118

* cited by examiner

Primary Examiner—Louis S. Zarfes

Assistant Examiner—Susan E. Krakower

(74) *Attorney, Agent, or Firm*—Young & Basile, P.C.

(57) **CLAIM**

The ornamental design for a 12 volt fluorescent light fixture,
as shown and described.

DESCRIPTION

FIG. 1 is a top front perspective of a first embodiment of the
invention;

FIG. 2 is a side elevational view of the embodiment in FIG.
1;

FIG. 3 is a top plan view of the embodiment in FIG. 1;

FIG. 4 is a first end elevational view of the embodiment in
FIG. 1;

FIG. 5 is a second end elevational view of the embodiment
in FIG. 1;

FIG. 6 is a top front perspective of a second embodiment of
the invention;

FIG. 7 is a side elevational view of the embodiment in FIG.
6;

FIG. 8 is a top plan view of the embodiment in FIG. 6;

FIG. 9 is a first end elevational view of the embodiment in
FIG. 6; and,

FIG. 10 is a second end elevational view of the embodiment
in FIG. 6.

The broken line showing of a rocker switch is included for
the purpose of illustrating environmental structure and forms
no part of the claimed design.

1 Claim, 4 Drawing Sheets

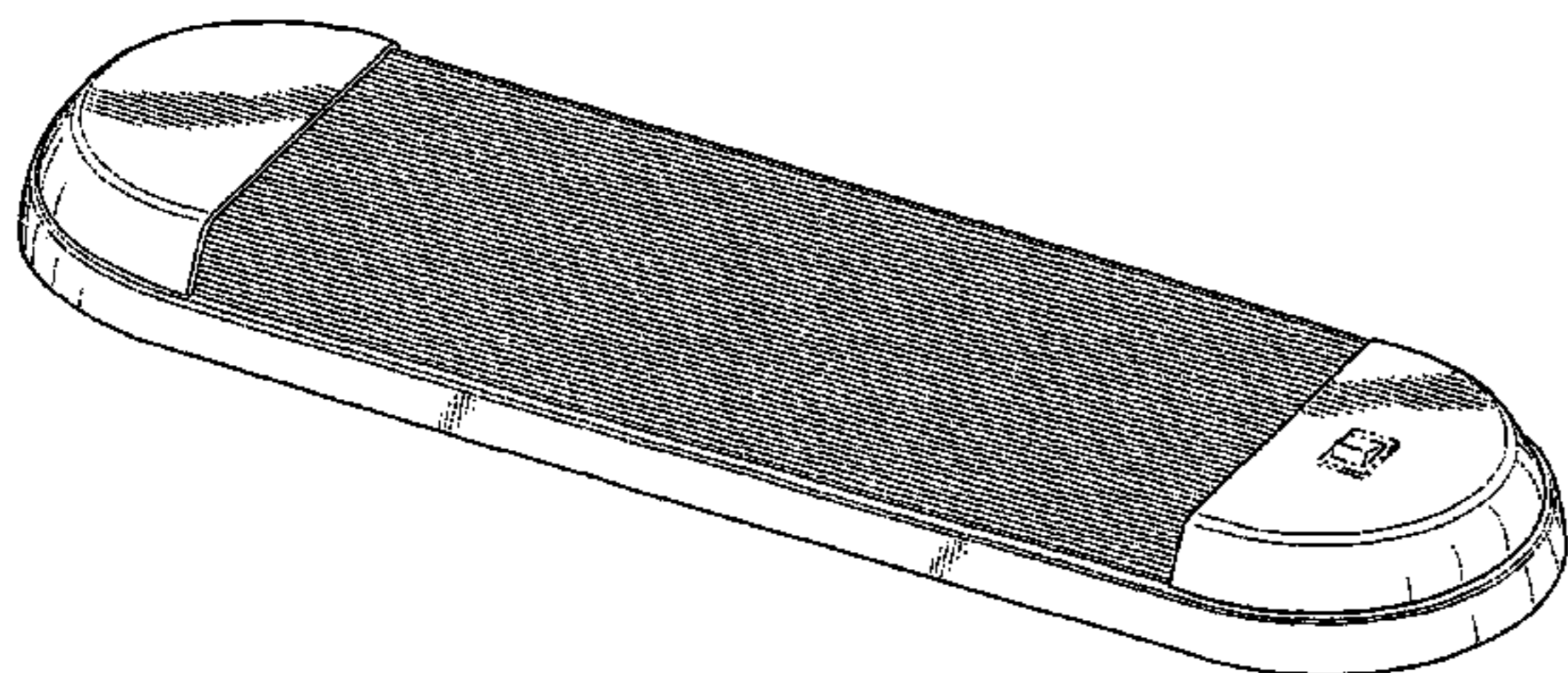


FIG - 1

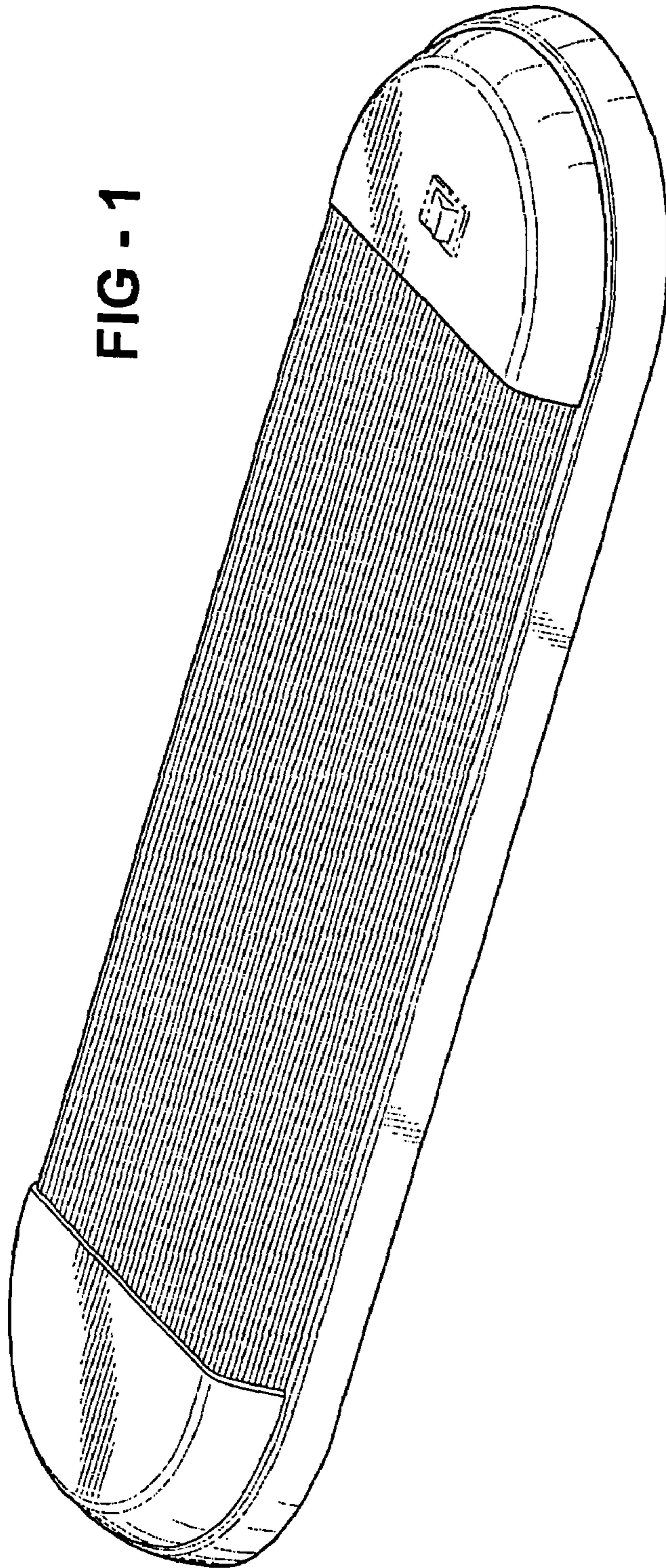
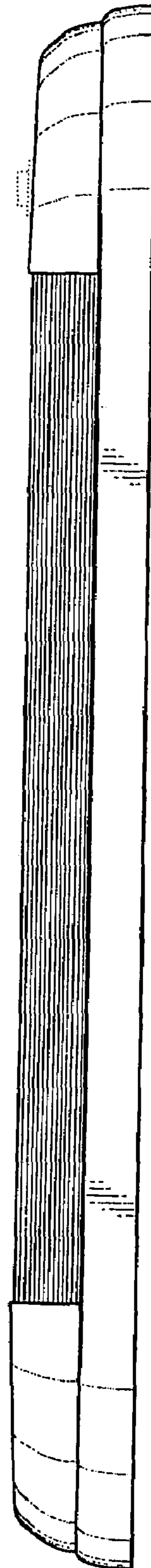


FIG - 2



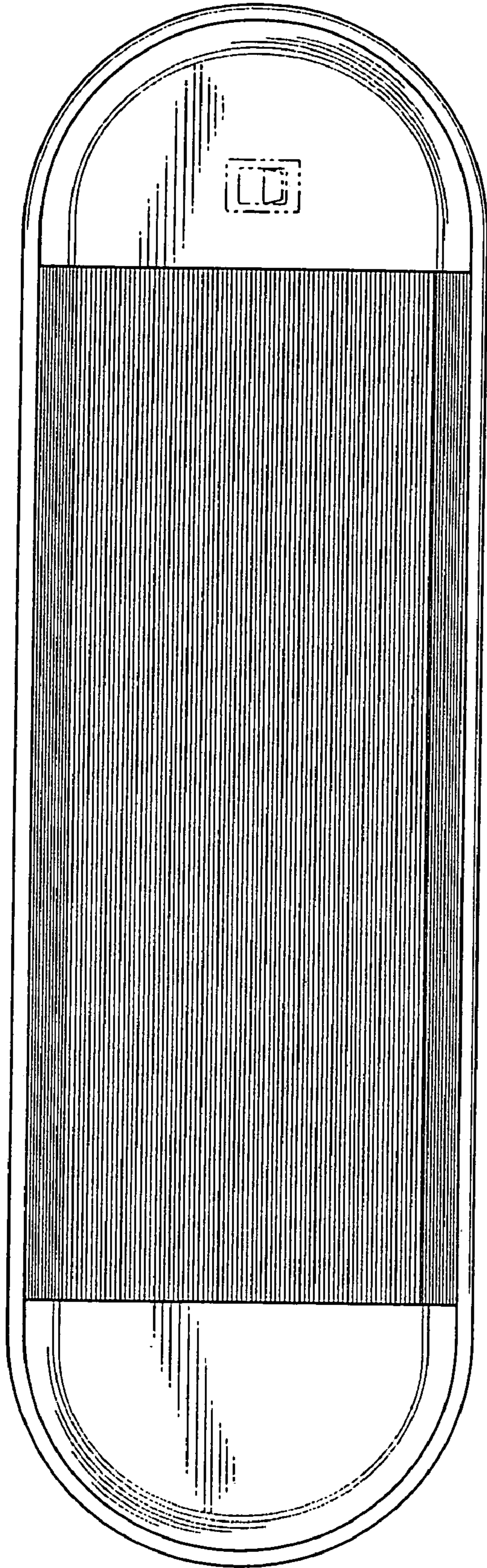


FIG - 3

FIG - 4

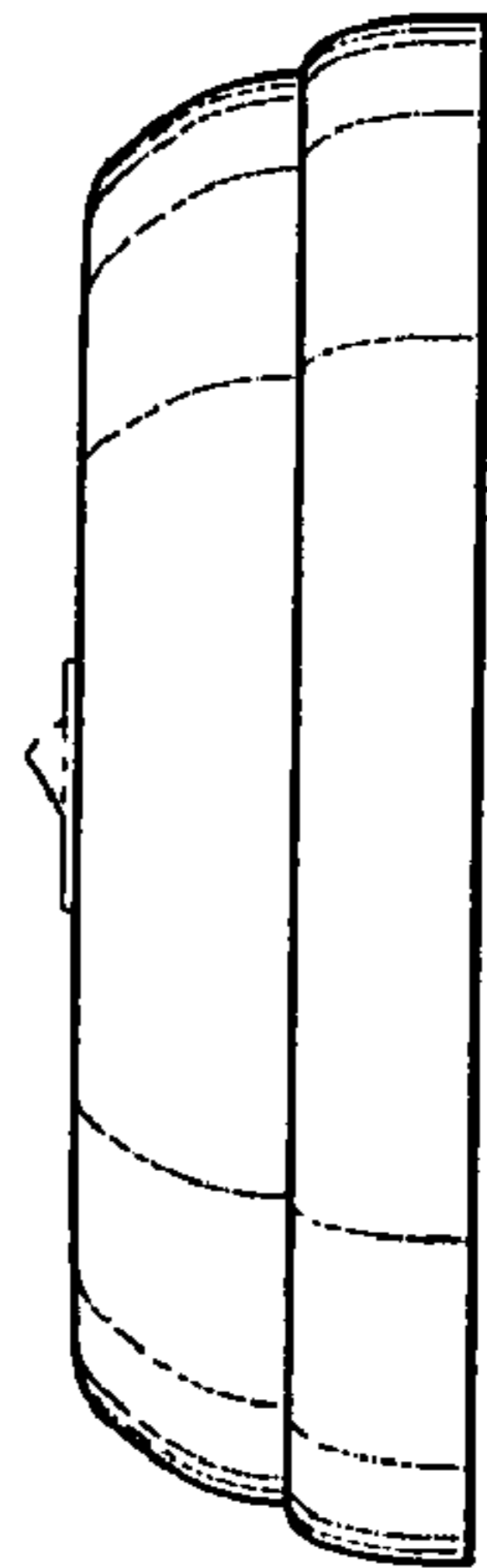


FIG - 5

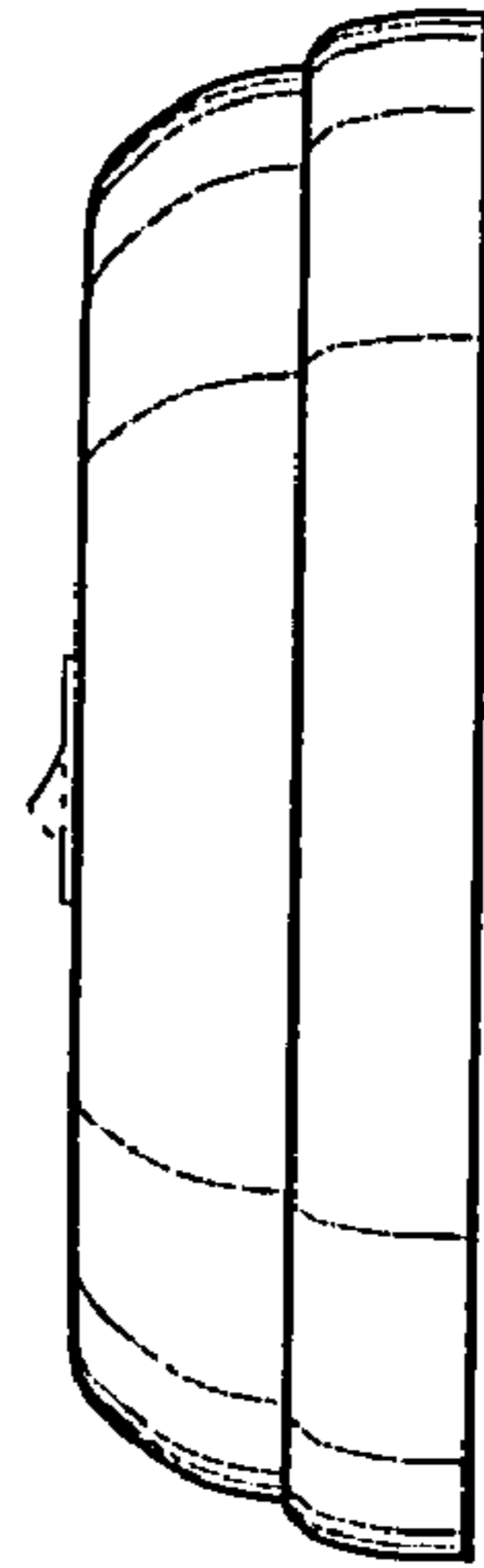


FIG - 6

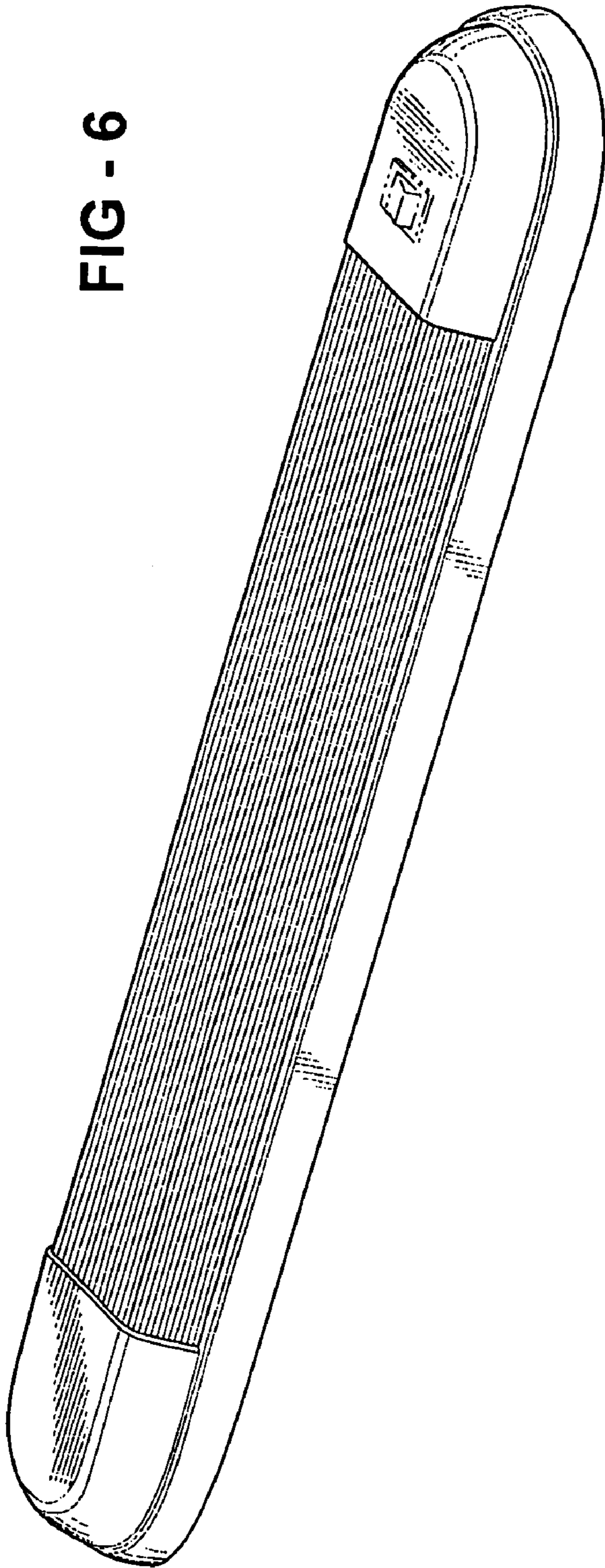
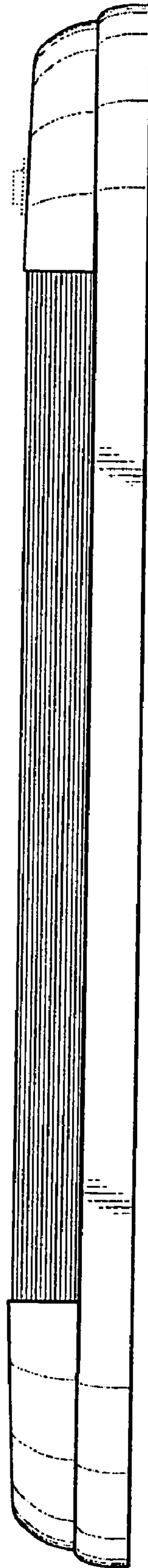


FIG - 7



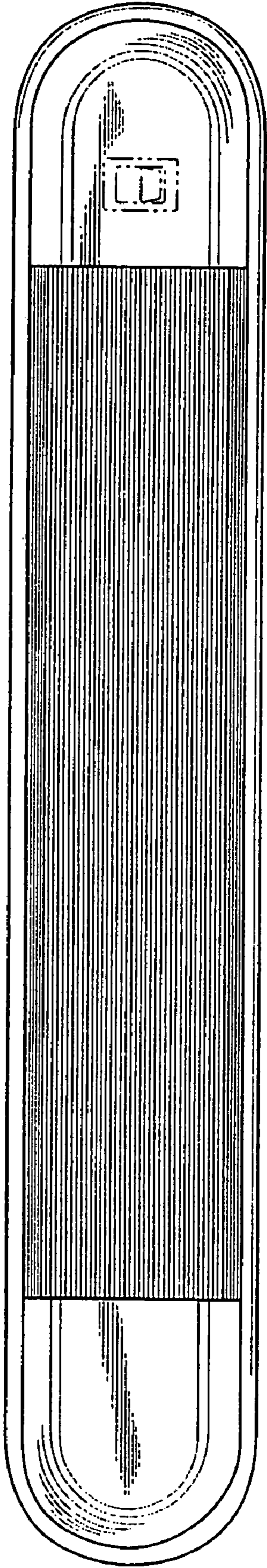


FIG - 8

FIG - 9

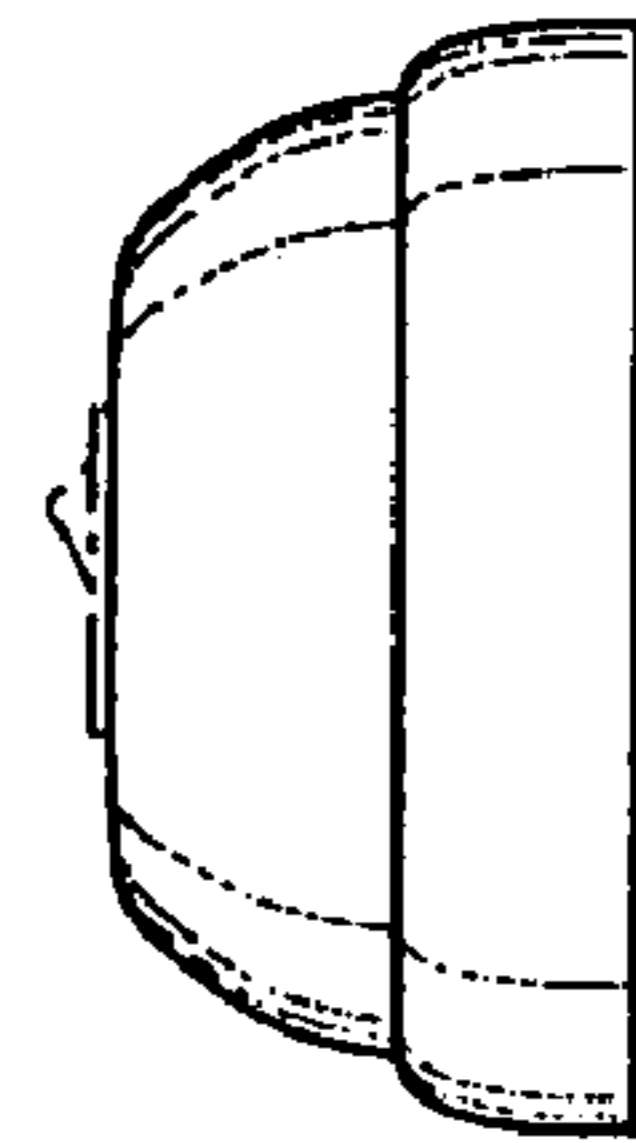
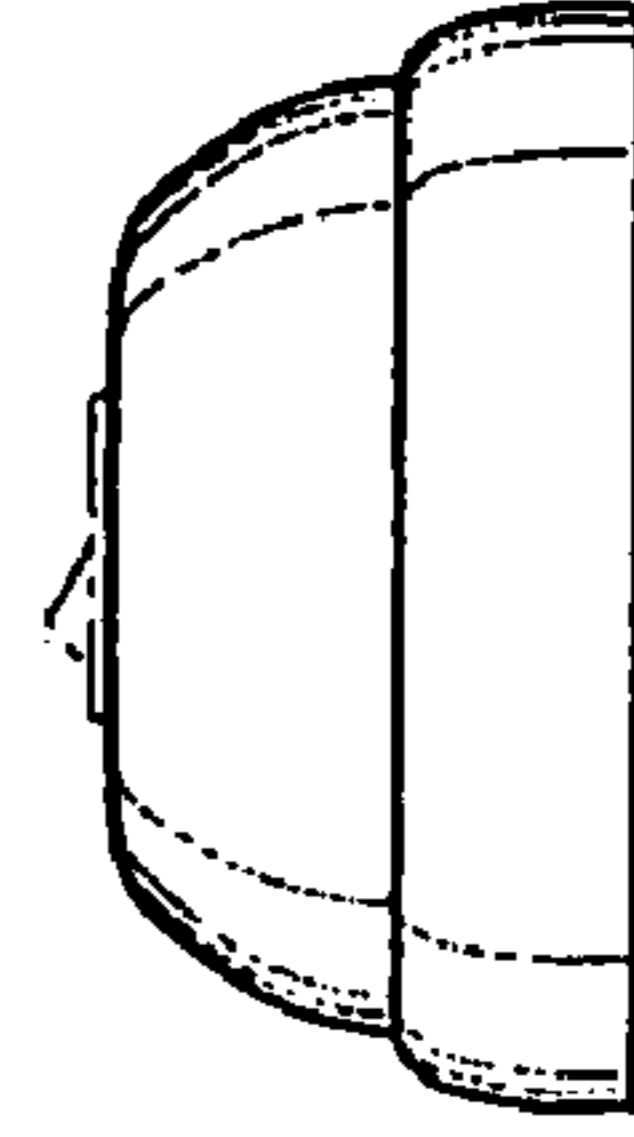


FIG - 10



UNITED STATES PATENT AND TRADEMARK OFFICE
CERTIFICATE OF CORRECTION

PATENT NO. : Des. 551,792 S
APPLICATION NO. : 29/257658
DATED : September 25, 2007
INVENTOR(S) : Thomas H. Phlipot et al.

Page 1 of 1

It is certified that error appears in the above-identified patent and that said Letters Patent is hereby corrected as shown below:

On The Title Page, Item (75)

Inventors; Delete "Phlipot" and insert -- Phlipot --, therefor.

Signed and Sealed this

First Day of April, 2008

A handwritten signature in black ink that reads "Jon W. Dudas". The signature is written in a cursive style with a large, looped initial "J".

JON W. DUDAS

Director of the United States Patent and Trademark Office