



US00D551786S

(12) **United States Design Patent** (10) **Patent No.:** **US D551,786 S**
Smith (45) **Date of Patent:** **** Sep. 25, 2007**

(54) **ROTATABLE AND MOUNTABLE LIGHT ASSEMBLY FOR UTILITY VEHICLE**

(74) *Attorney, Agent, or Firm*—Head, Johnson & Kachigian

(75) Inventor: **Kenneth Smith**, Porum, OK (US)

(57) **CLAIM**

(73) Assignee: **Optronics Products Company, Inc.**, Muskogee, OK (US)

The ornamental design for a rotatable and mountable light assembly for utility vehicle, as shown and described.

(**) Term: **14 Years**

DESCRIPTION

(21) Appl. No.: **29/241,738**

FIG. 1 is a perspective view of a rotatable and mountable light assembly for a utility vehicle constructed in accordance with the present invention, with the wire broken away at the end to indicate indeterminate length;

(22) Filed: **Oct. 31, 2005**

(51) **LOC (8) Cl.** **26-06**

(52) **U.S. Cl.** **D26/28**

(58) **Field of Classification Search** D26/28-36;
362/459-468, 475-478, 485-487
See application file for complete search history.

FIG. 2 is a left side view of a rotatable and mountable light assembly for a utility vehicle as shown in FIG. 1;

FIG. 3 is a front view of a rotatable and mountable light assembly for a utility vehicle as shown in FIG. 1;

FIG. 4 is a right side view of a rotatable and mountable light assembly for a utility vehicle as shown in FIG. 1;

(56) **References Cited**

U.S. PATENT DOCUMENTS

| | | | | |
|--------------|---------|---------------|-------|---------|
| D446,466 S * | 8/2001 | Chiu | | D10/114 |
| D463,048 S * | 9/2002 | Scott et al. | | D26/28 |
| D501,939 S * | 2/2005 | Jacobs et al. | | D26/28 |
| D510,636 S * | 10/2005 | Yamamoto | | D26/28 |

FIG. 5 is a rear view of a rotatable and mountable light assembly for a utility vehicle as shown in FIG. 1;

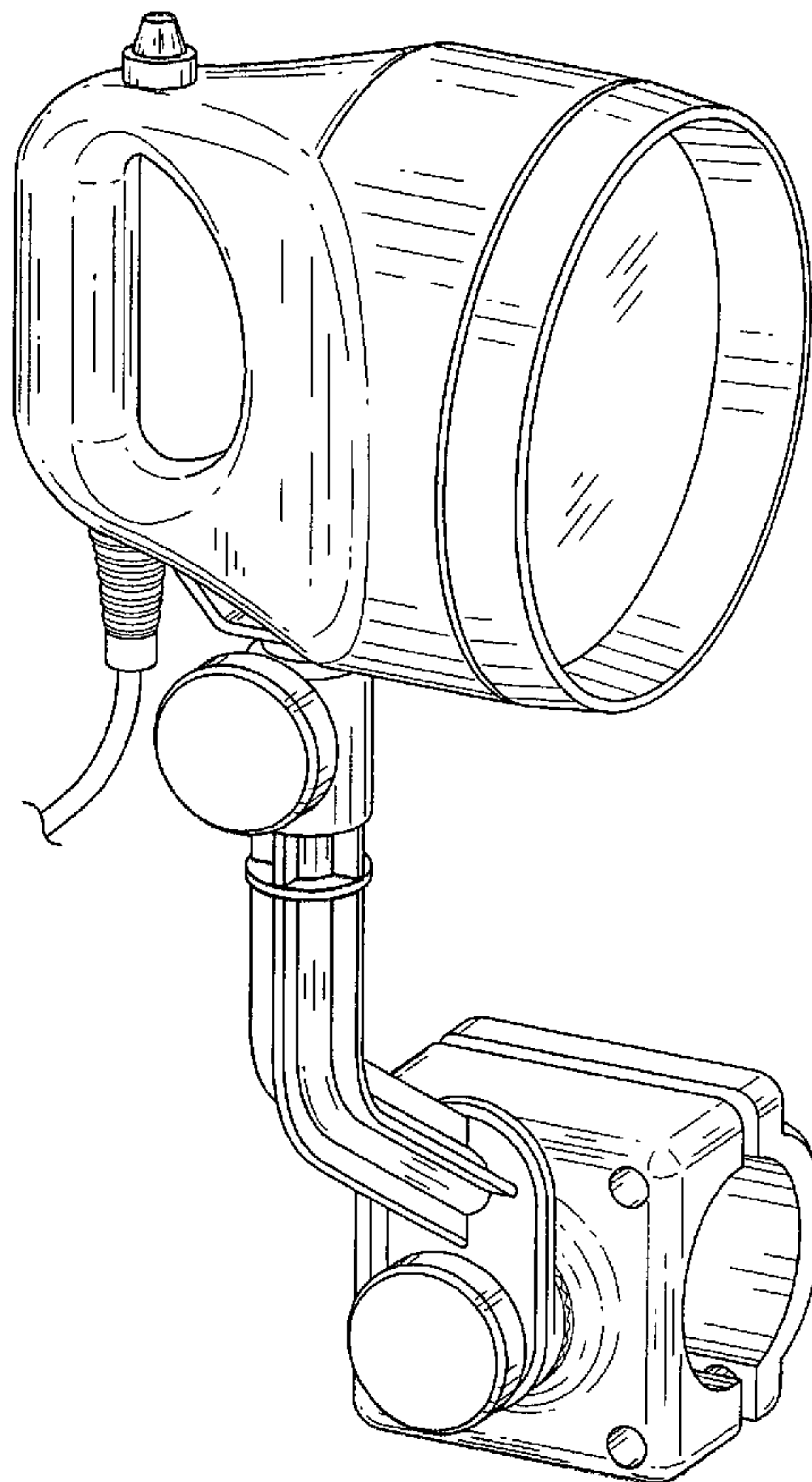
FIG. 6 is a top view of a rotatable and mountable light assembly for a utility vehicle as shown in FIG. 1; and,

FIG. 7 is a bottom view of a rotatable and mountable light assembly for a utility vehicle as shown in FIG. 1.

* cited by examiner

Primary Examiner—Marcus A. Jackson

1 Claim, 3 Drawing Sheets



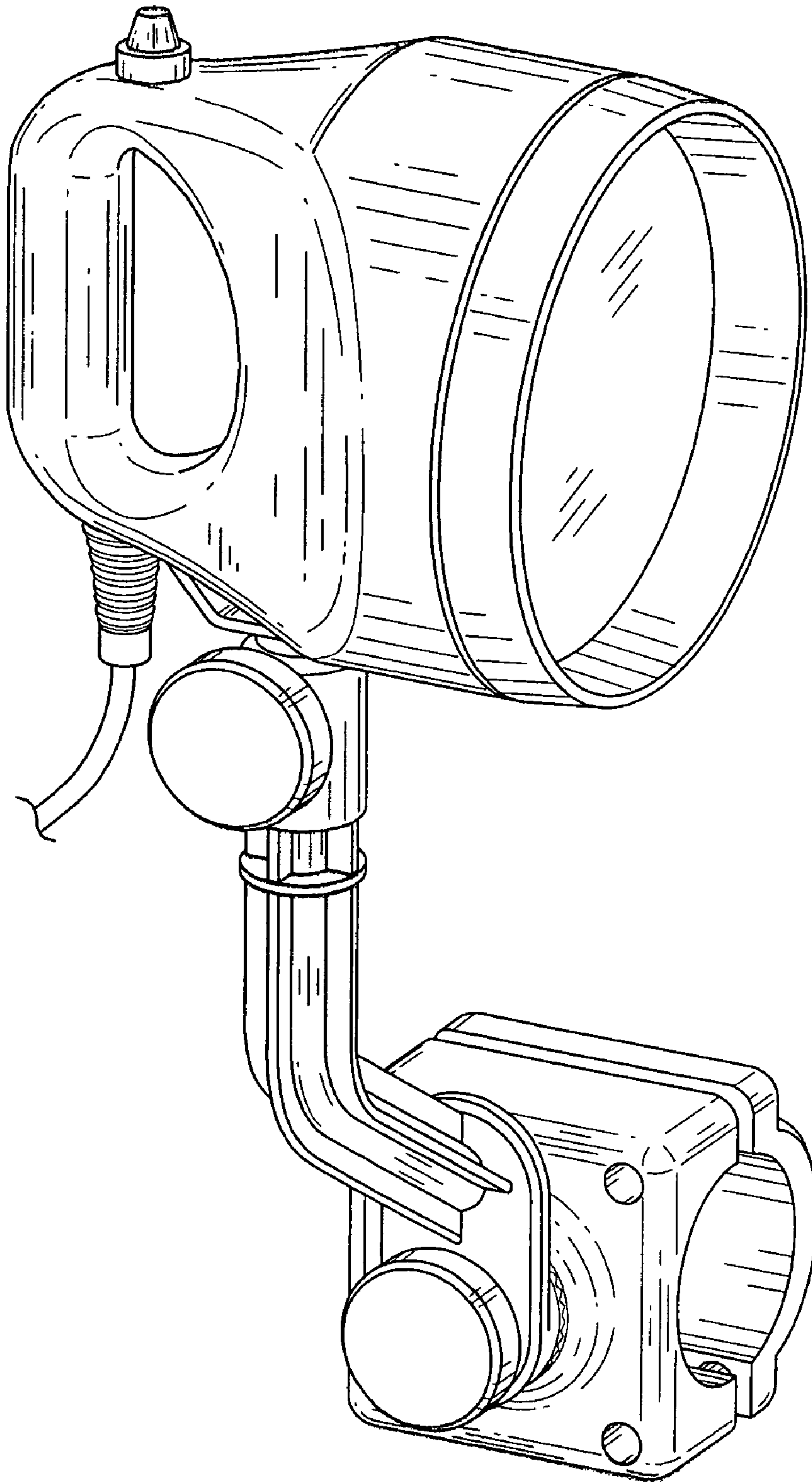


FIG. 1

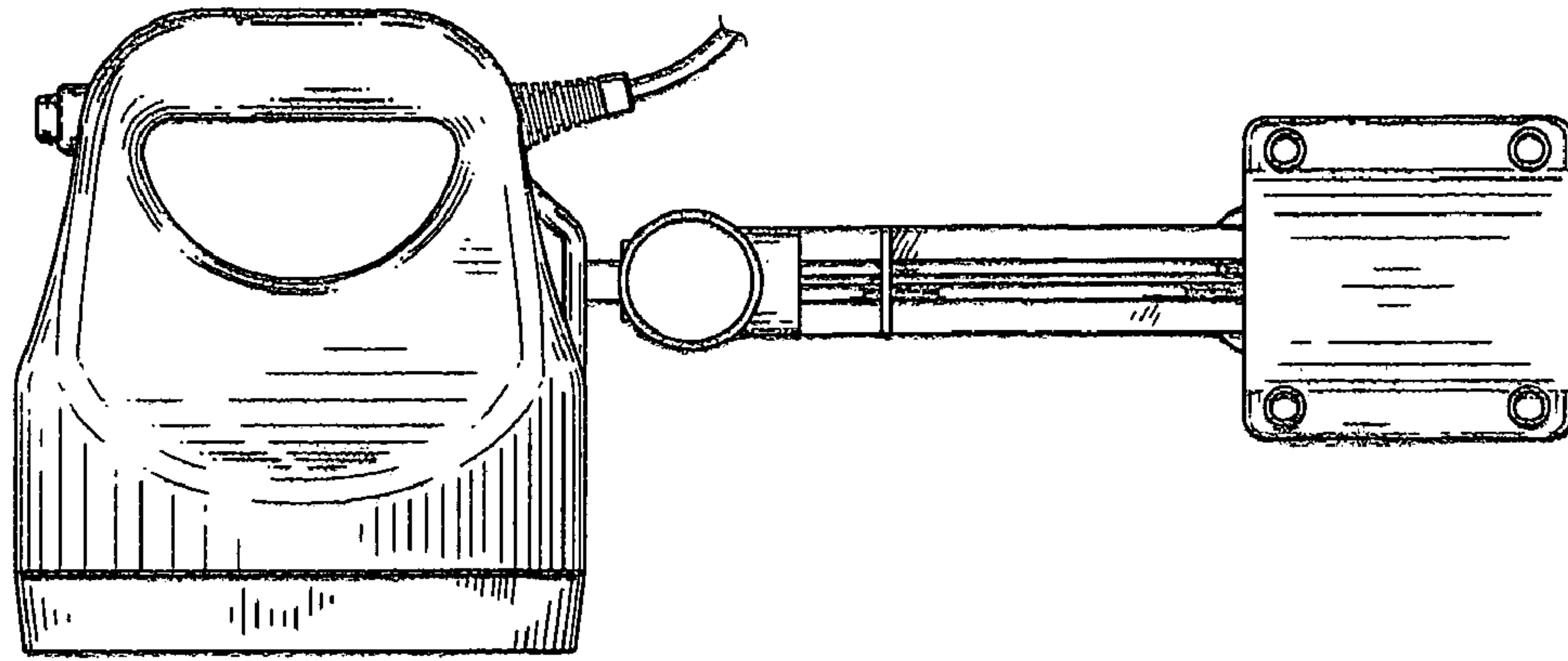


FIG. 4

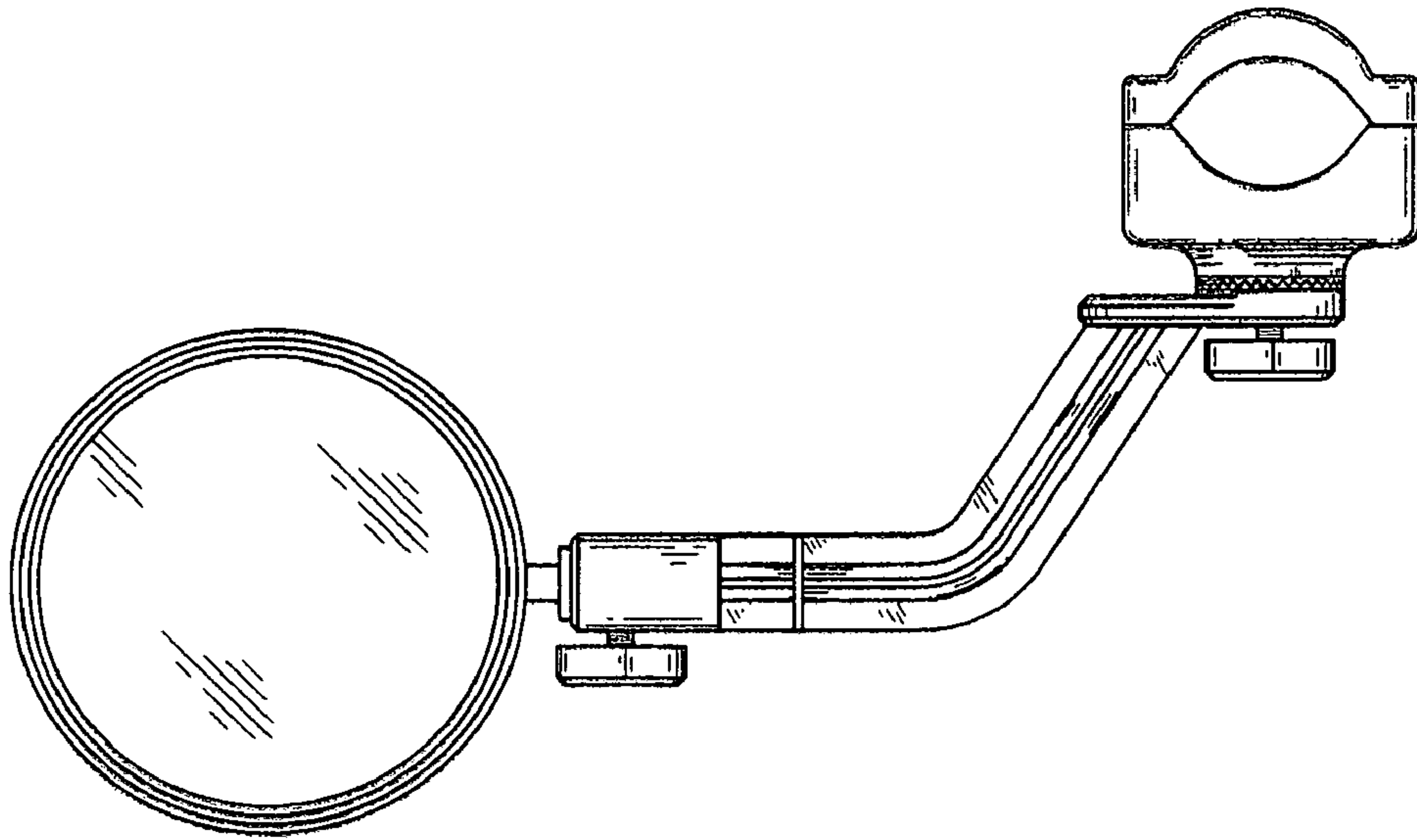


FIG. 3

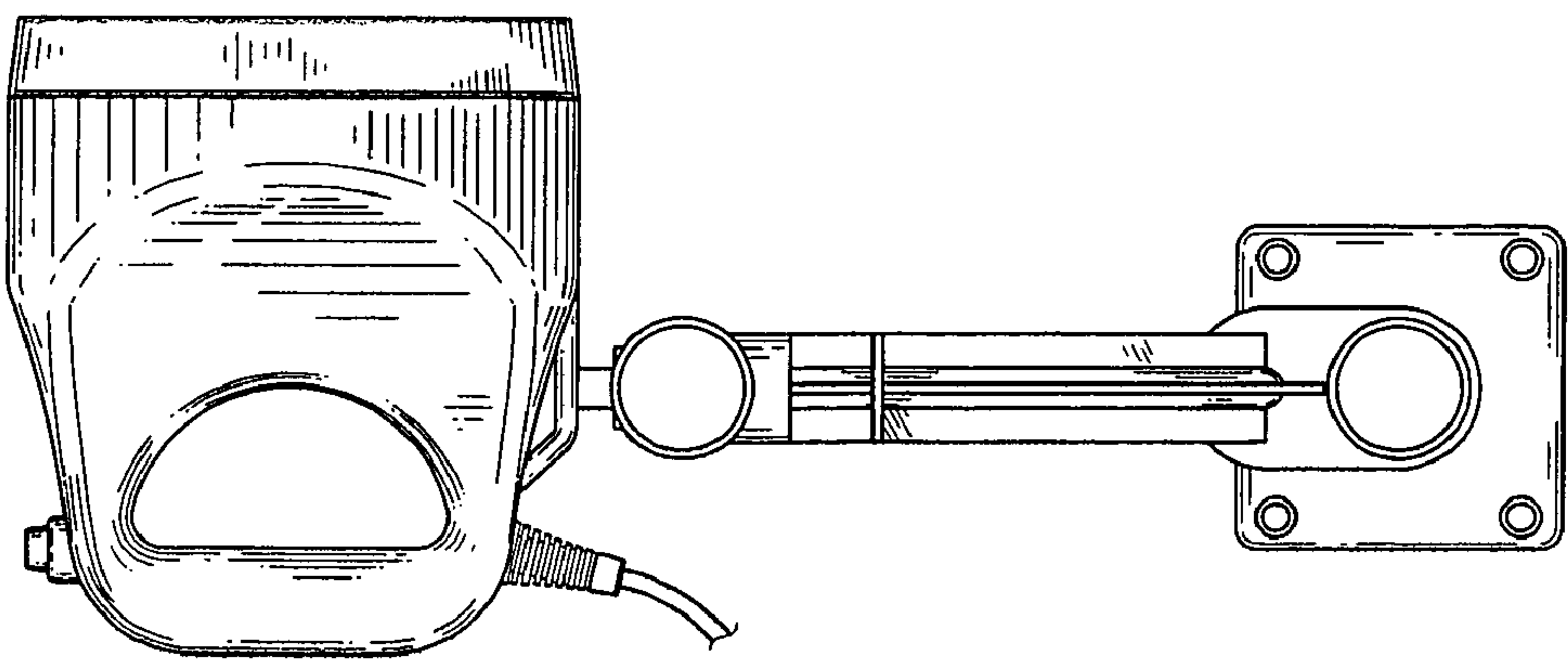


FIG. 2

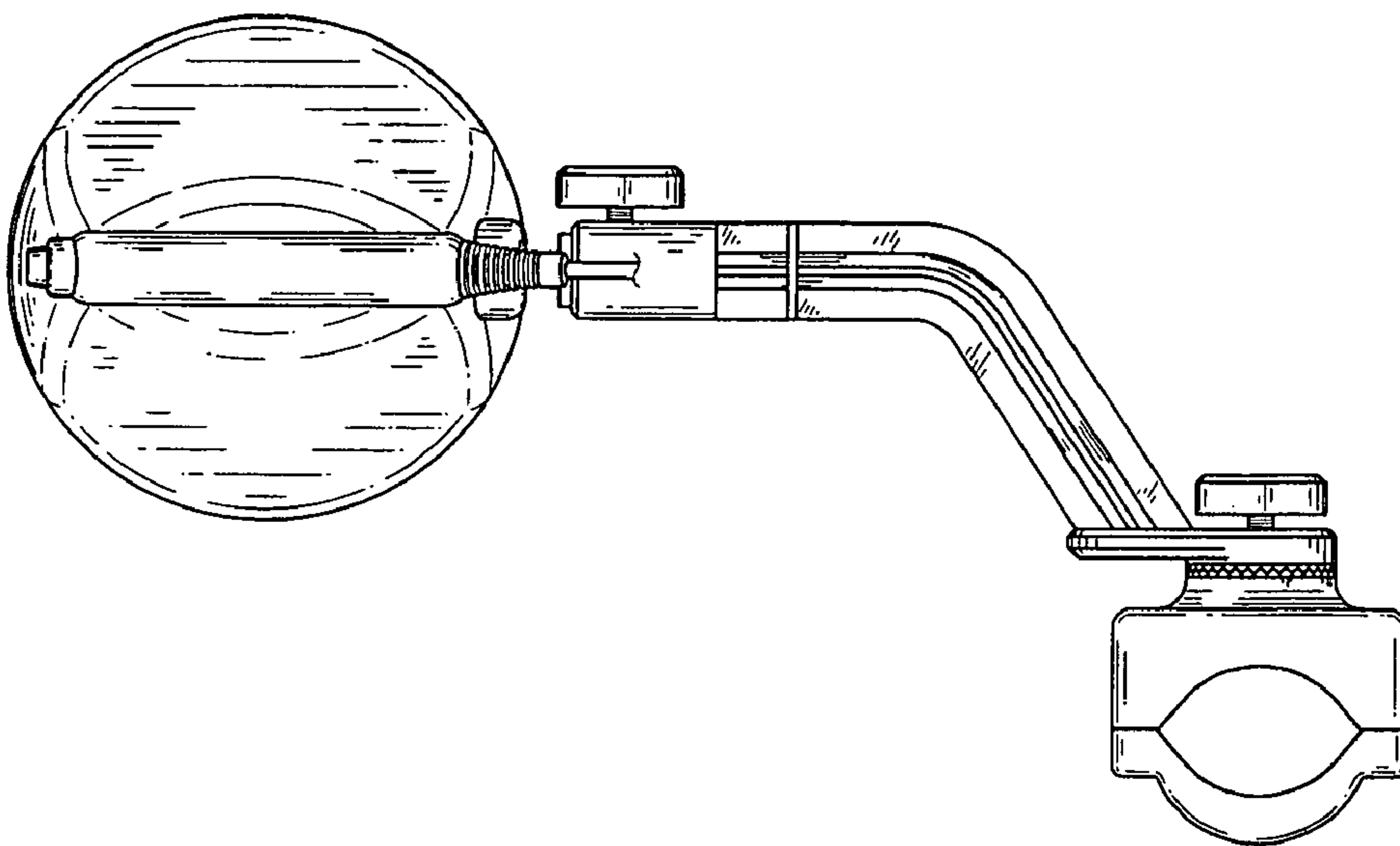


FIG. 5

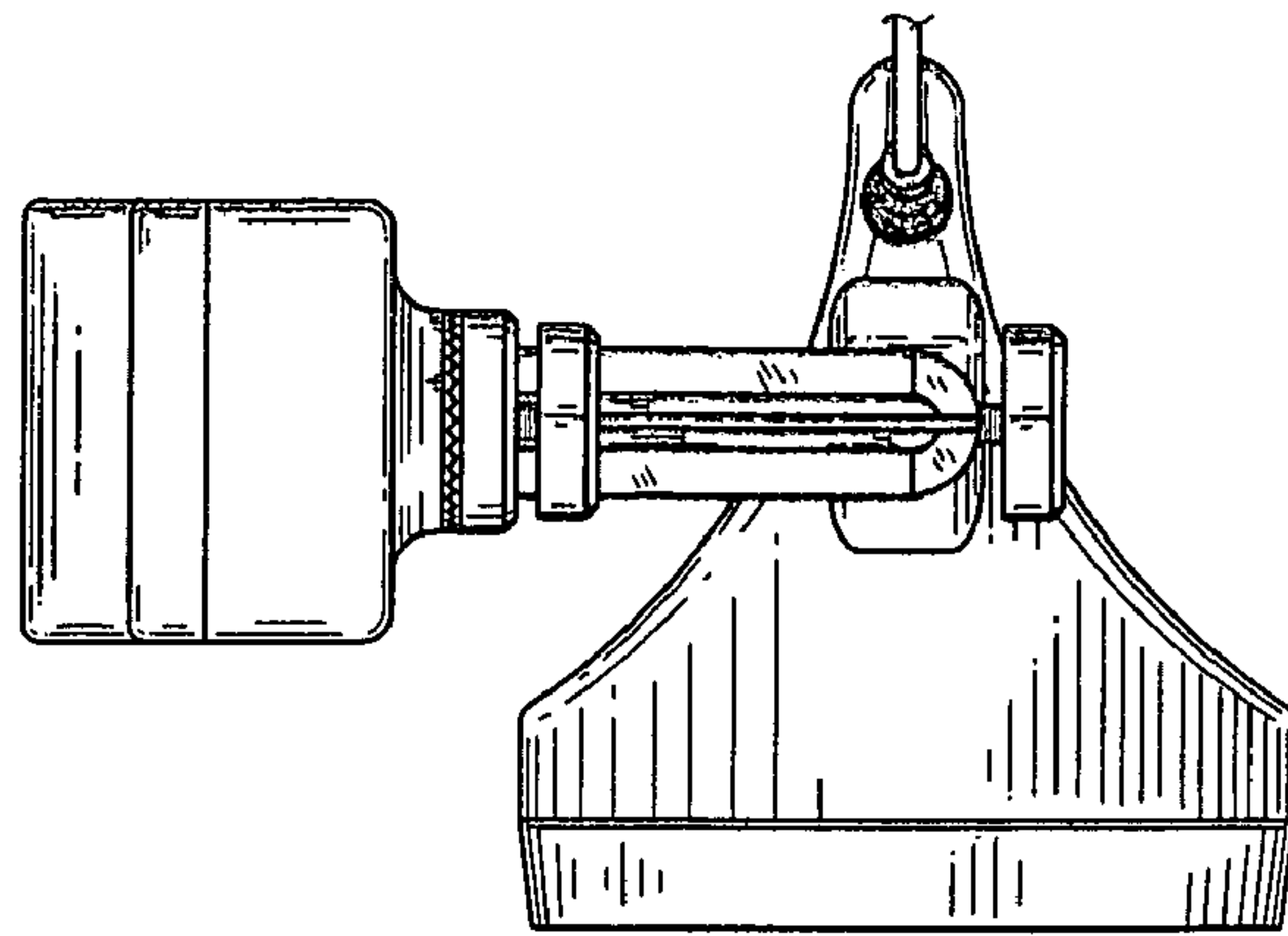


FIG. 7

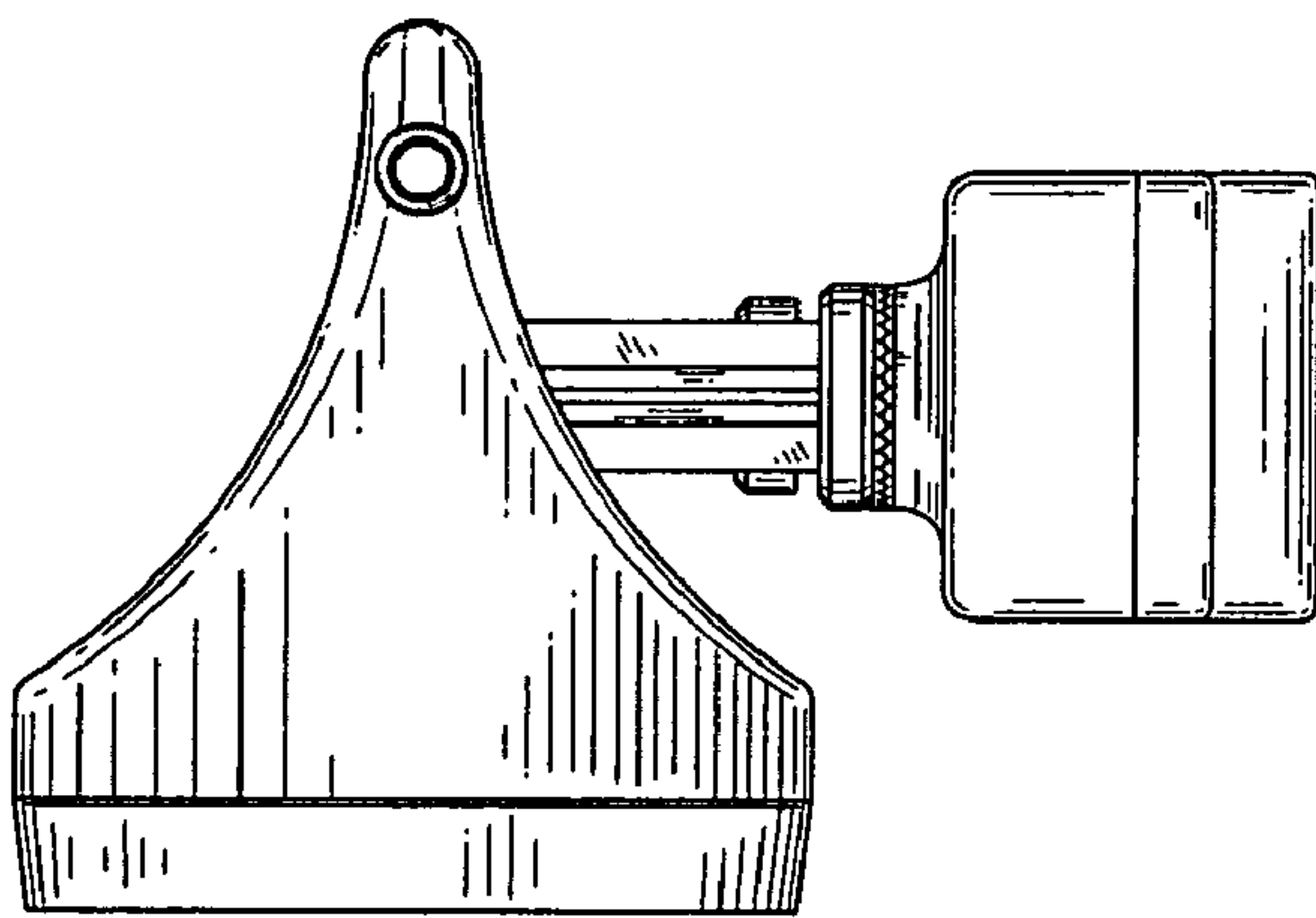


FIG. 6