



US00D551785S

(12) **United States Design Patent** (10) **Patent No.:** **US D551,785 S**
Montgomery (45) **Date of Patent:** **** Sep. 25, 2007**

(54) **FLOWER POWER SHAPED NIGHTLIGHT**

JP 2005248686 9/2005
WO WO99/66256 12/1999

(76) Inventor: **Max Edward Montgomery**, 322 Alta Ave., Santa Cruz, CA (US) 95060

OTHER PUBLICATIONS

First Alert, First Alert Night Lights, Model No. DEL1-1, A562-1, Apr. 5, 2005, <http://www.firstalert.com/NightLightsAndTimers.aspx>, USA.

(**) Term: **14 Years**

(Continued)

(21) Appl. No.: **29/225,629**

(22) Filed: **Mar. 18, 2005**

Primary Examiner—Alan P. Douglas
Assistant Examiner—Angela J. Lee

(51) **LOC (8) Cl.** **26-05**

(52) **U.S. Cl.** **D26/26**

(57) **CLAIM**

(58) **Field of Classification Search** D26/24, D26/26, 37, 60, 67, 72, 77, 113, 118, 119, D26/124, 139, 73, 94, 101, 125, 127; D23/366, D23/367; 362/640-4, 652-3; D11/117
See application file for complete search history.

The ornamental design for a flower power shaped night light, as shown and described.

DESCRIPTION

(56) **References Cited**

U.S. PATENT DOCUMENTS

1,977,126	A	10/1934	Graf	
2,248,117	A	7/1941	Petry	
D155,913	S	11/1949	Lane	
D196,259	S *	9/1963	Dwyer D26/127
3,400,890	A *	9/1968	Gould 239/36
3,706,004	A	12/1972	Schwartz	
D226,972	S *	5/1973	Schwartz D26/26
3,818,212	A *	6/1974	Rochford et al. 362/644
D266,954	S *	11/1982	Gordan D26/24
4,549,250	A	10/1985	Spector	
4,714,984	A	12/1987	Spector	

A portion of the disclosure of this patent document contains material, which is subject to copyright protection. The copyright owner has no objection to the facsimile reproduction by anyone of the patent document or the patent disclosure, as it appears in the Patent and Trademark Office patent file or records, but otherwise reserves all copyright rights whatsoever.

FIG. 1 is a front perspective view of translucent acrylic flower power shaped night light with the core shape in the form of a flower, the electrical prongs are shown in broken lines, according to my design;

FIG. 2 is a rear perspective view thereof;

FIG. 3 is a front view thereof;

FIG. 4 is a rear view thereof;

FIG. 5 is a left side view thereof; right side view is a mirror thereof; and,

FIG. 6 is a top and bottom view thereof.

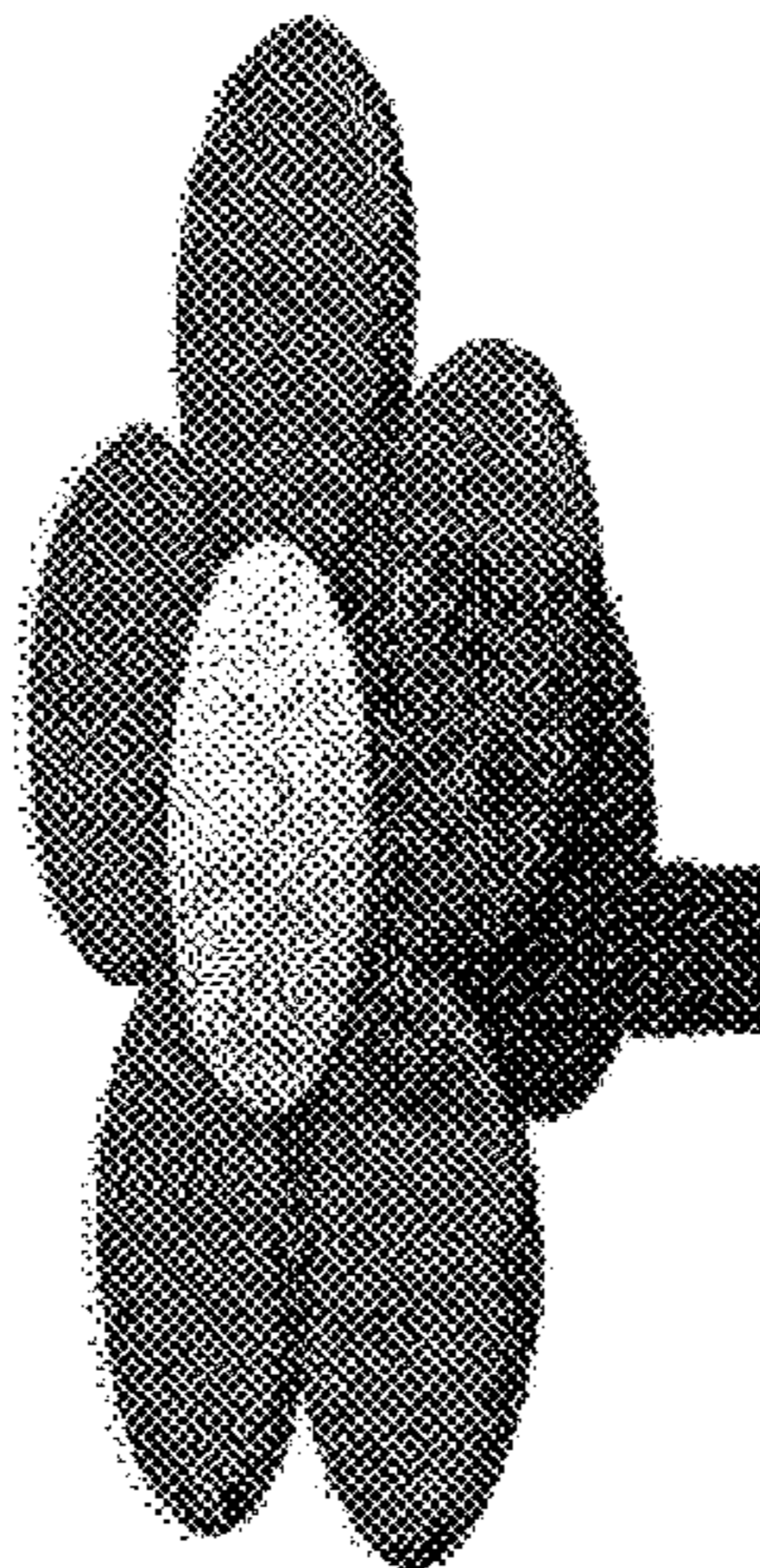
The broken line showing of flower power shaped night light is included for the purpose of illustrating portions of the article and forms no part of the claimed design.

(Continued)

FOREIGN PATENT DOCUMENTS

CN	2004/000357	10/2005
JP	08 077817	3/1996
JP	08302512	11/1996
JP	11200128	7/1999
JP	2001-064816	8/2001
JP	2003286609	10/2003
JP	2004186140	7/2004

1 Claim, 4 Drawing Sheets



US D551,785 S

Page 2

U.S. PATENT DOCUMENTS

D302,863 S 8/1989 Krol
D328,310 S * 7/1992 Yoshinaga D19/42
D354,979 S * 1/1995 Tsuji D19/36
5,508,901 A 4/1996 Kuo
D381,444 S * 7/1997 Yuen D26/26
D399,014 S 9/1998 Emmerling
5,947,582 A 9/1999 Huang
D422,350 S * 4/2000 Wu D23/367
D459,824 S 7/2002 Leen
D460,573 S 7/2002 Gee
D470,621 S * 2/2003 Cheng D26/127
6,543,905 B1 4/2003 Adams
D482,466 S 11/2003 Yuen
D490,216 S * 5/2004 Powell D2/853
D507,360 S 7/2005 Yuen
D509,315 S 9/2005 Weiser
2005/0157487 A1 7/2005 Epstein

OTHER PUBLICATIONS

Just Borders, 875358 Flower Power Night Light, <http://www.justborders.com/875358.html>, USA.

Dollar Days, Blue Angel Nightlights—SKU: 257473, <http://www.dollardays.com/enresults.asp?Ntk=all&fromsearch=t&N=0&Ntt=blue+angel+night+lights>, USA.

QVC, Solar Flower Lights, Item No. M12090, <http://www.qvc.com/scripts/detail.dll?item=M12090!tpl=DETAILGBA!ref=CAD&ref=CAD&>, USA.

BELLACOR, Flower Power Lamp with Night Light: Bellacor No. 33956, <http://www.bellacor.com/detail.cfm?Cat=38&ItemID=33956>, USA.

LOMAK, Round Shape Direct Plug In Night Light, Lomak 310603, <http://www.lomak.com/310603.htm>, China.

JASCO / GE—51381 Pink and Yellow Flower Paper Shade, Mar. 2005, p. 4 of Jasco Home Electric Products catalog, USA.

JASCO / GE—51386 Punchwork Flower Design Metal Shade, Mar. 2005, p. 5 of Jasco Home Electric Products catalog, USA.

JASCO / GE—51861 Etched Art Flower Design, Mar. 2005, p. 9 of Jasco Home Electric Products catalog, USA.

JASCO / GE—50312 Automatic Guide Light Neon, Mar. 2005, p. 10 of Jasco Home Electric Products catalog, USA.

* cited by examiner

FIG. 1

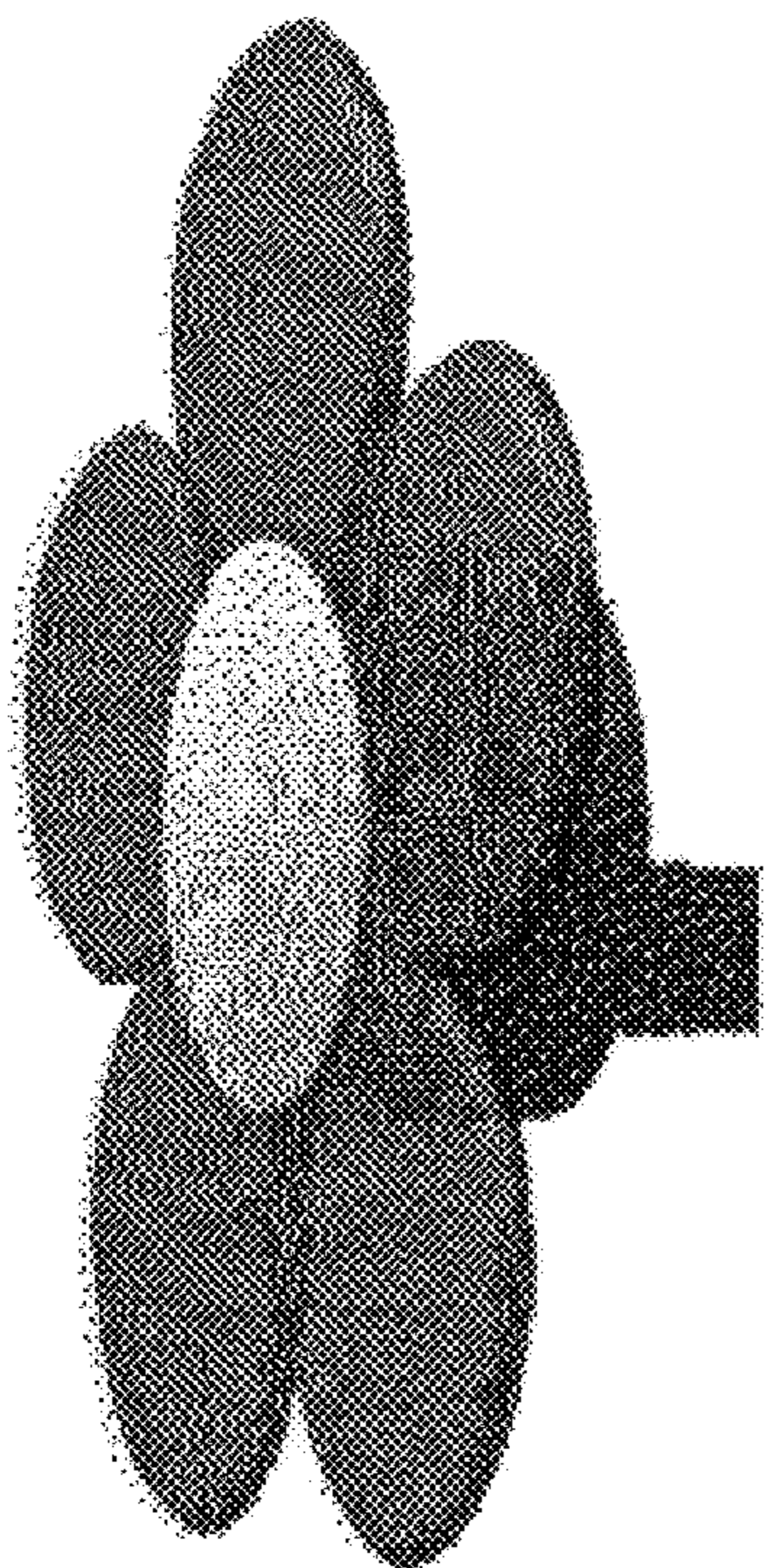


FIG. 2

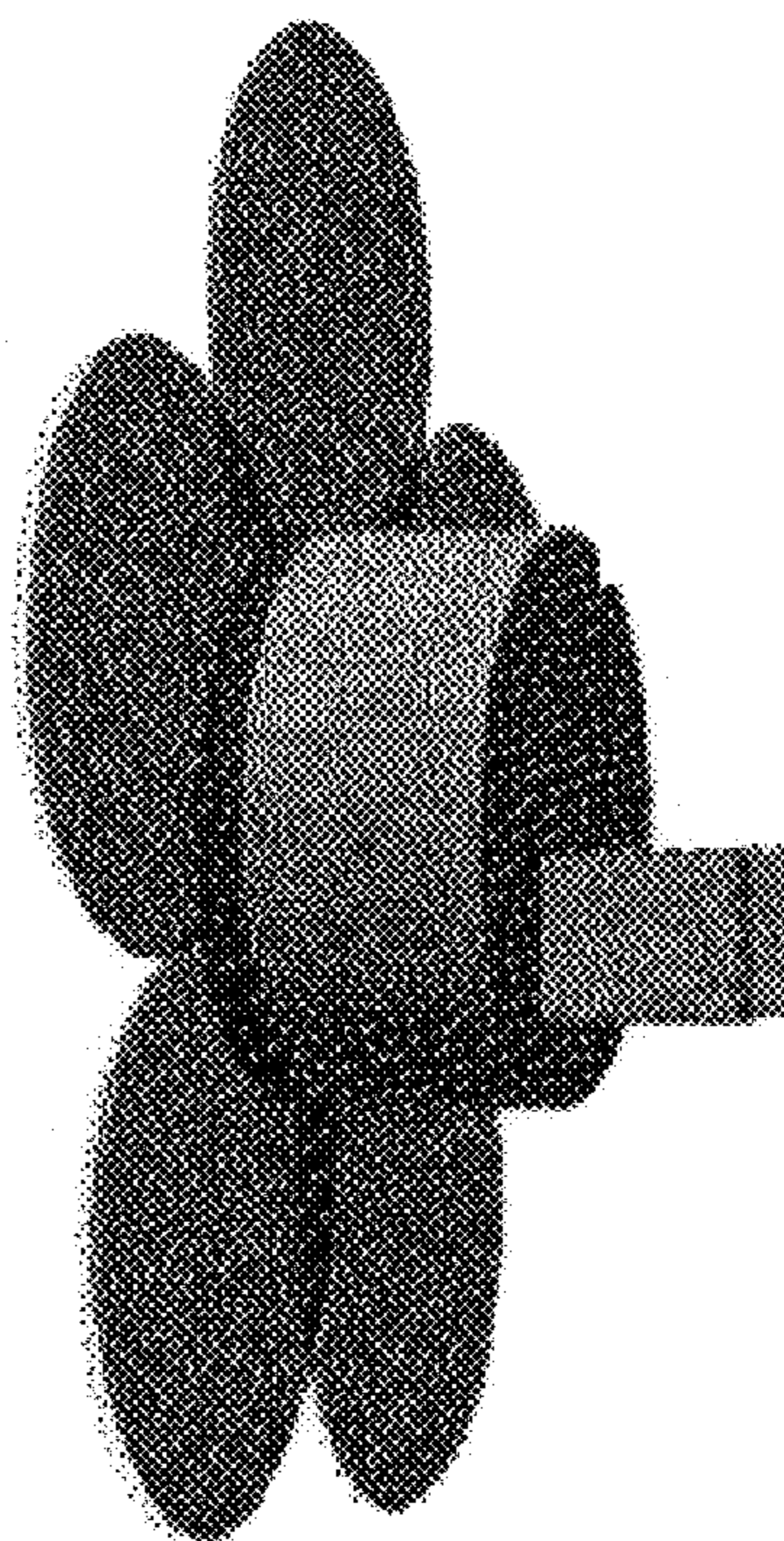


FIG. 3

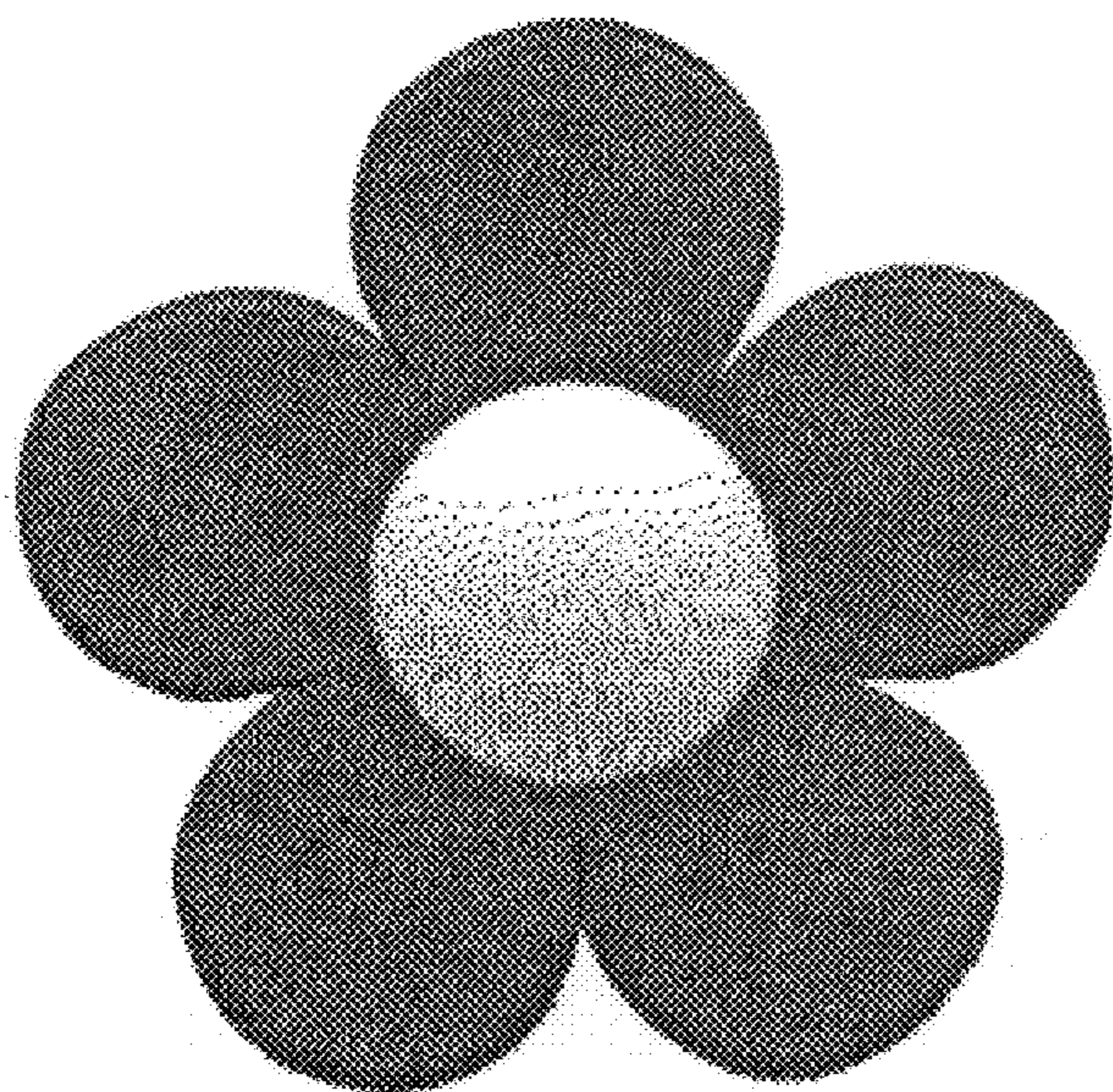


FIG. 4

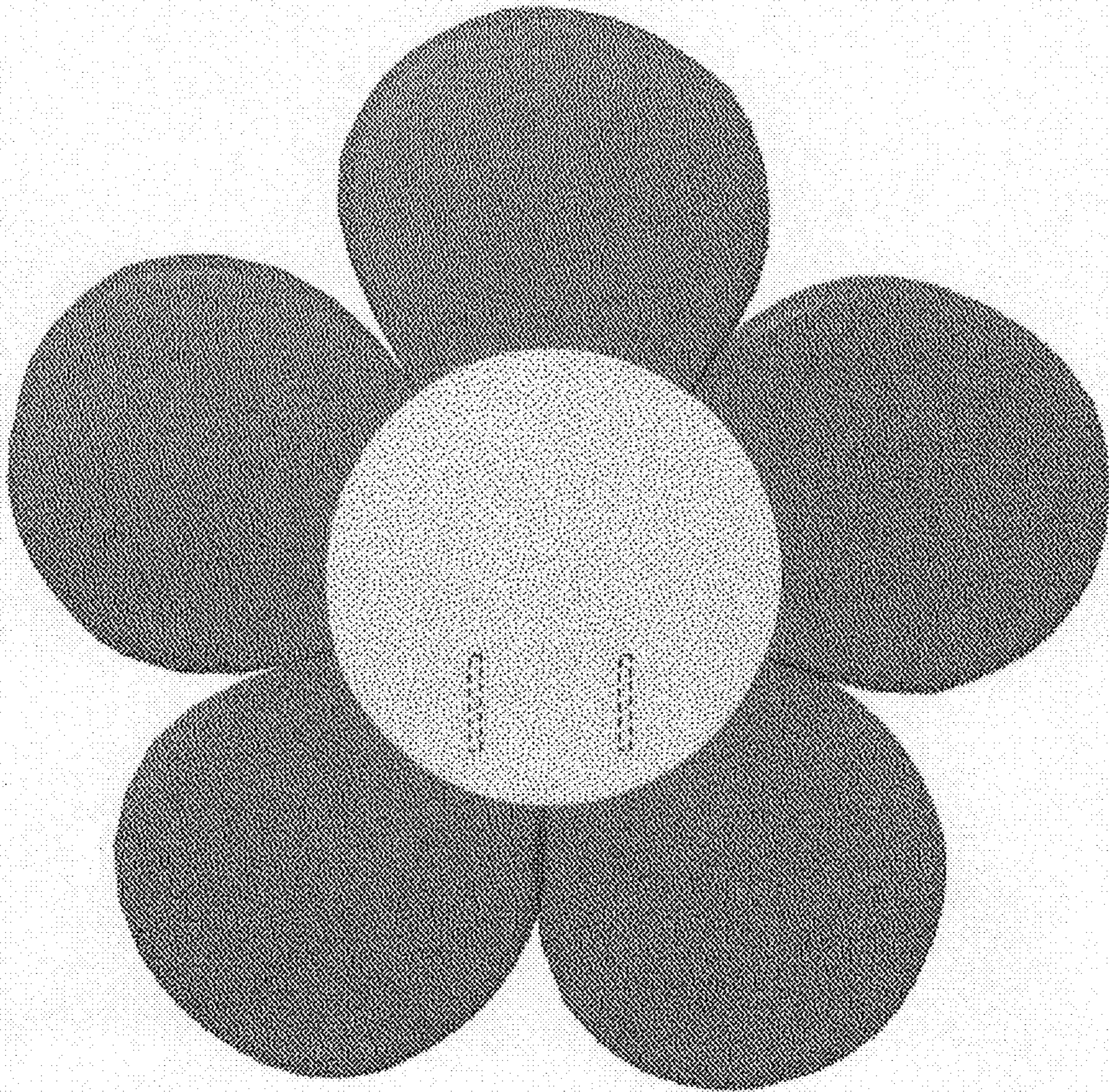


FIG. 5

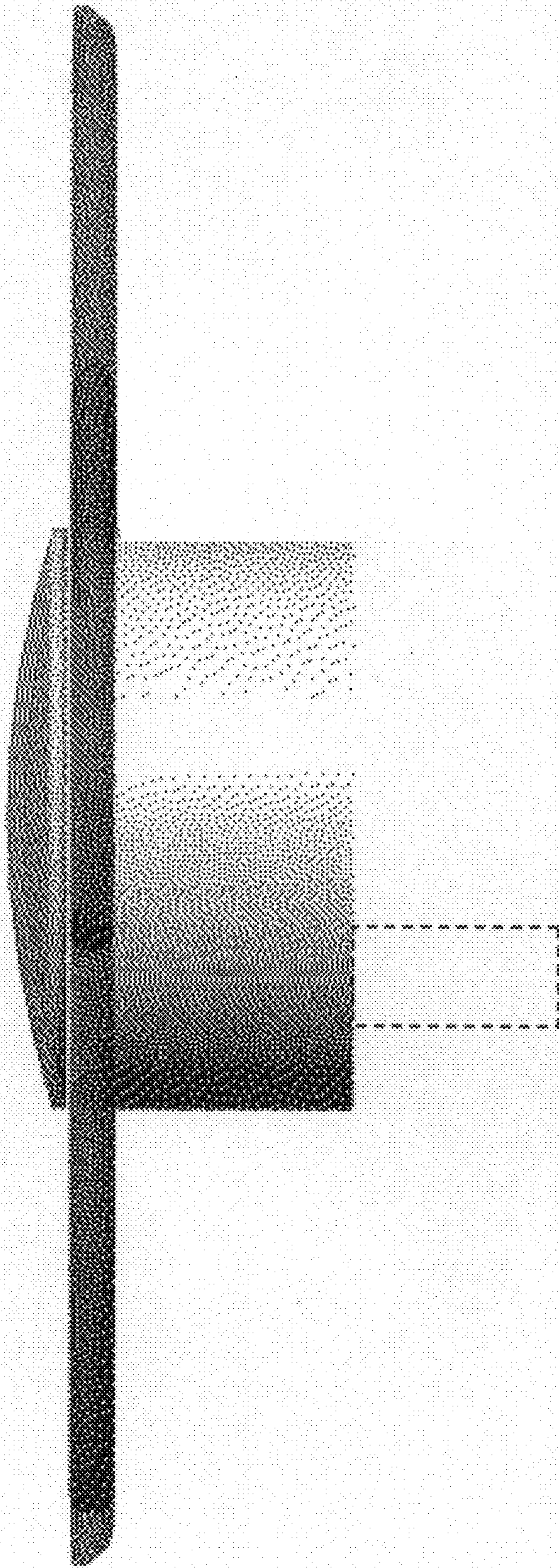


FIG. 6

