



US00D551784S

(12) **United States Design Patent**  
**Krieglmeyer et al.**

(10) **Patent No.:** **US D551,784 S**

(45) **Date of Patent:** **\*\* Sep. 25, 2007**

(54) **HALOGEN BULB WITH A REFLECTOR**

D530,836 S \* 10/2006 Johnson ..... D26/2  
D535,408 S \* 1/2007 Tseng ..... D26/24

(75) Inventors: **Christoph Krieglmeyer**,  
Hitzhofen/Hofstetten (DE); **Roland Stark**,  
Wellheim (DE)

\* cited by examiner

(73) Assignee: **OSRAM Gesellschaft mit  
beschränkter Haftung**, Munich (DE)

*Primary Examiner*—Marcus A. Jackson  
(74) *Attorney, Agent, or Firm*—Frishauf, Holtz, Goodman &  
Chick, P.C.

(\*\*) Term: **14 Years**

(57) **CLAIM**

(21) Appl. No.: **29/265,069**

The ornamental design for a halogen bulb with a reflector, as  
shown and described.

(22) Filed: **Aug. 23, 2006**

(30) **Foreign Application Priority Data**

**DESCRIPTION**

Feb. 24, 2006 (EM) ..... 000493986

(51) **LOC (8) Cl.** ..... **26-04**

(52) **U.S. Cl.** ..... **D26/2**

(58) **Field of Classification Search** ..... D26/1-4,  
D26/2; 313/313, 315, 317, 318, 493; 315/52,  
315/53, 56, 57, 58

See application file for complete search history.

FIG. 1 is a perspective view of a halogen bulb with a  
reflector, showing our new design;

FIG. 2 is a front view thereof, the rear view being a mirror  
image;

FIG. 3 is a right side view thereof, the left side view being  
a mirror image;

FIG. 4 is a top plan view thereof; and,

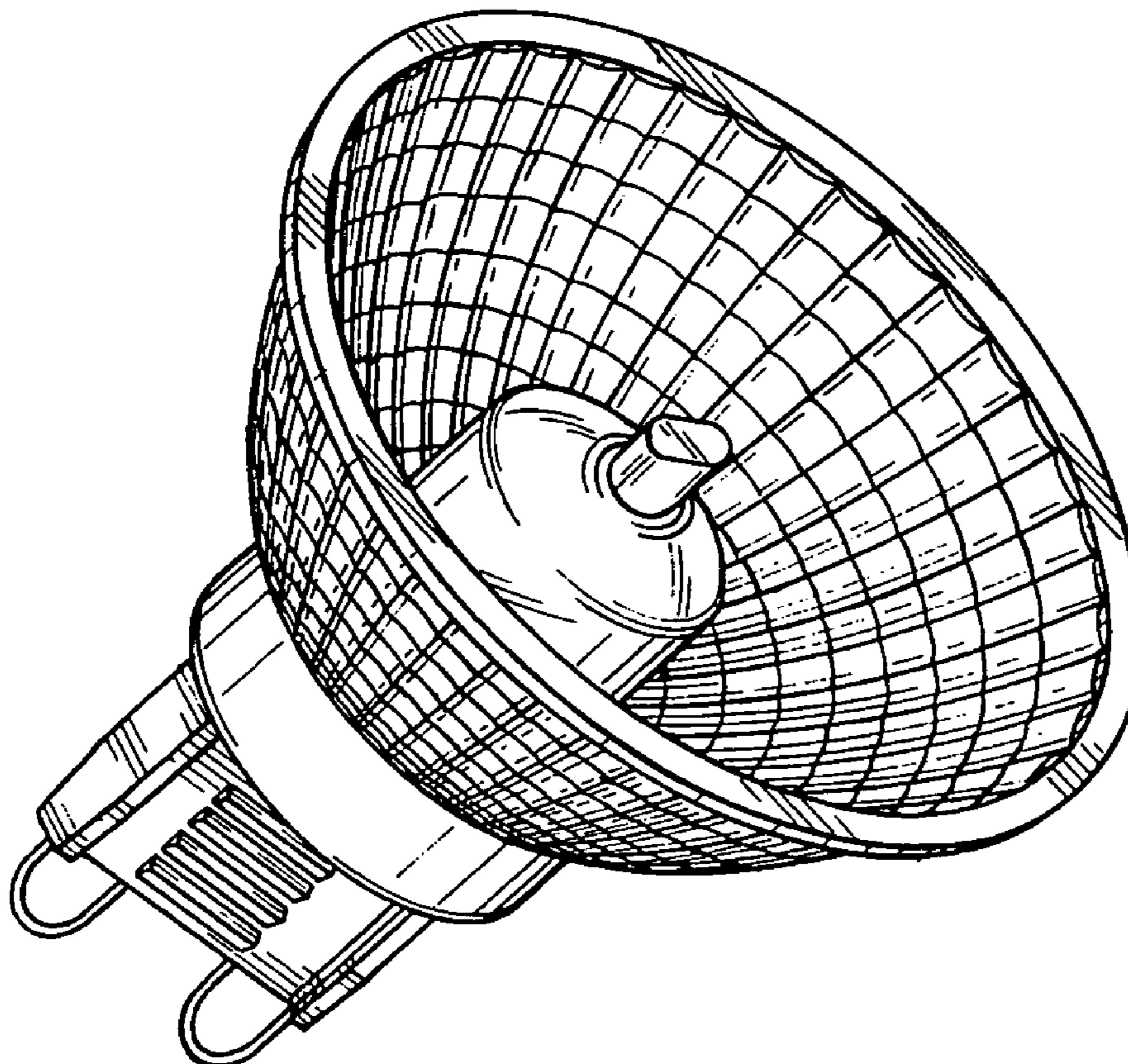
FIG. 5 is a bottom plan view thereof.

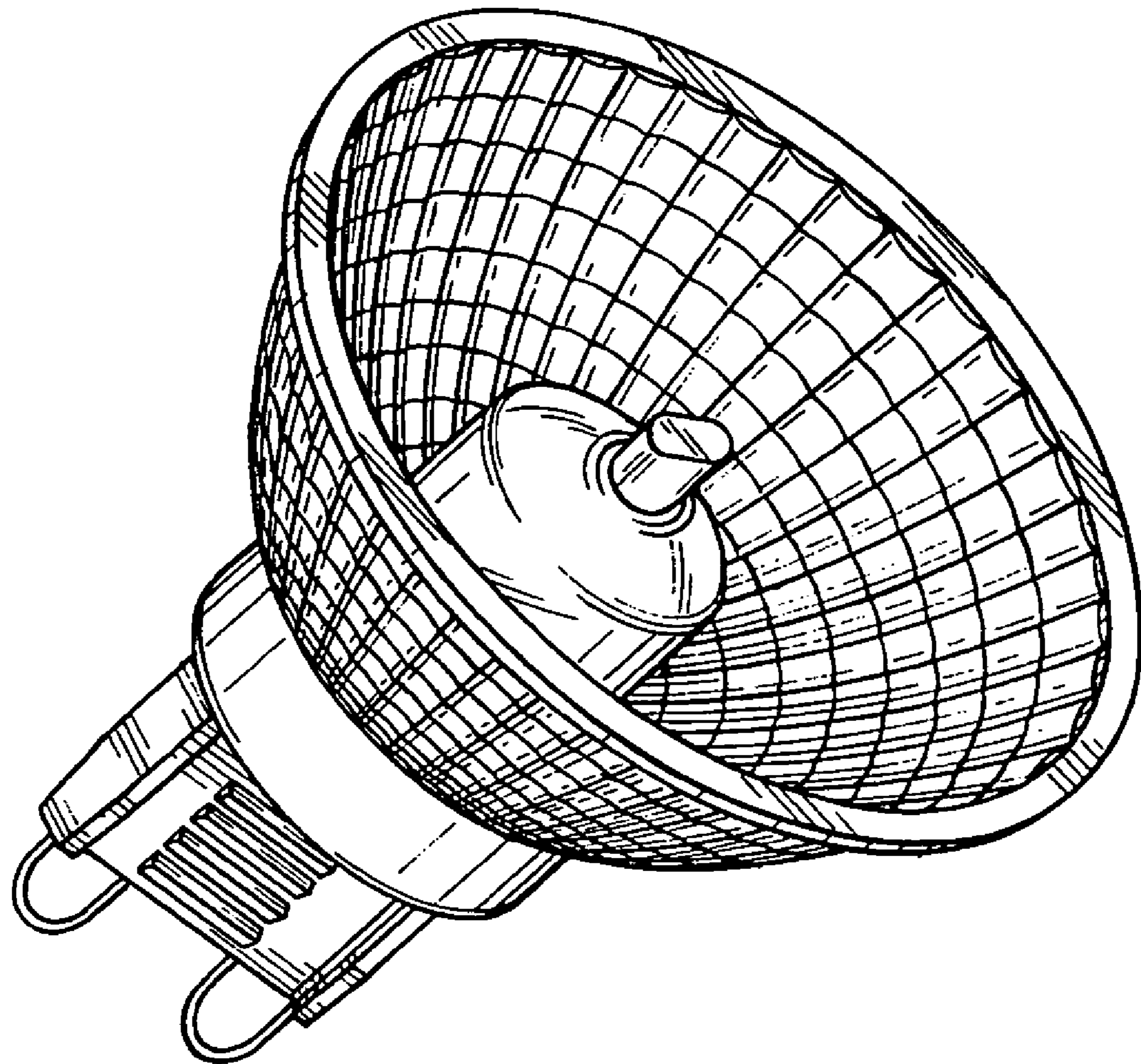
(56) **References Cited**

**U.S. PATENT DOCUMENTS**

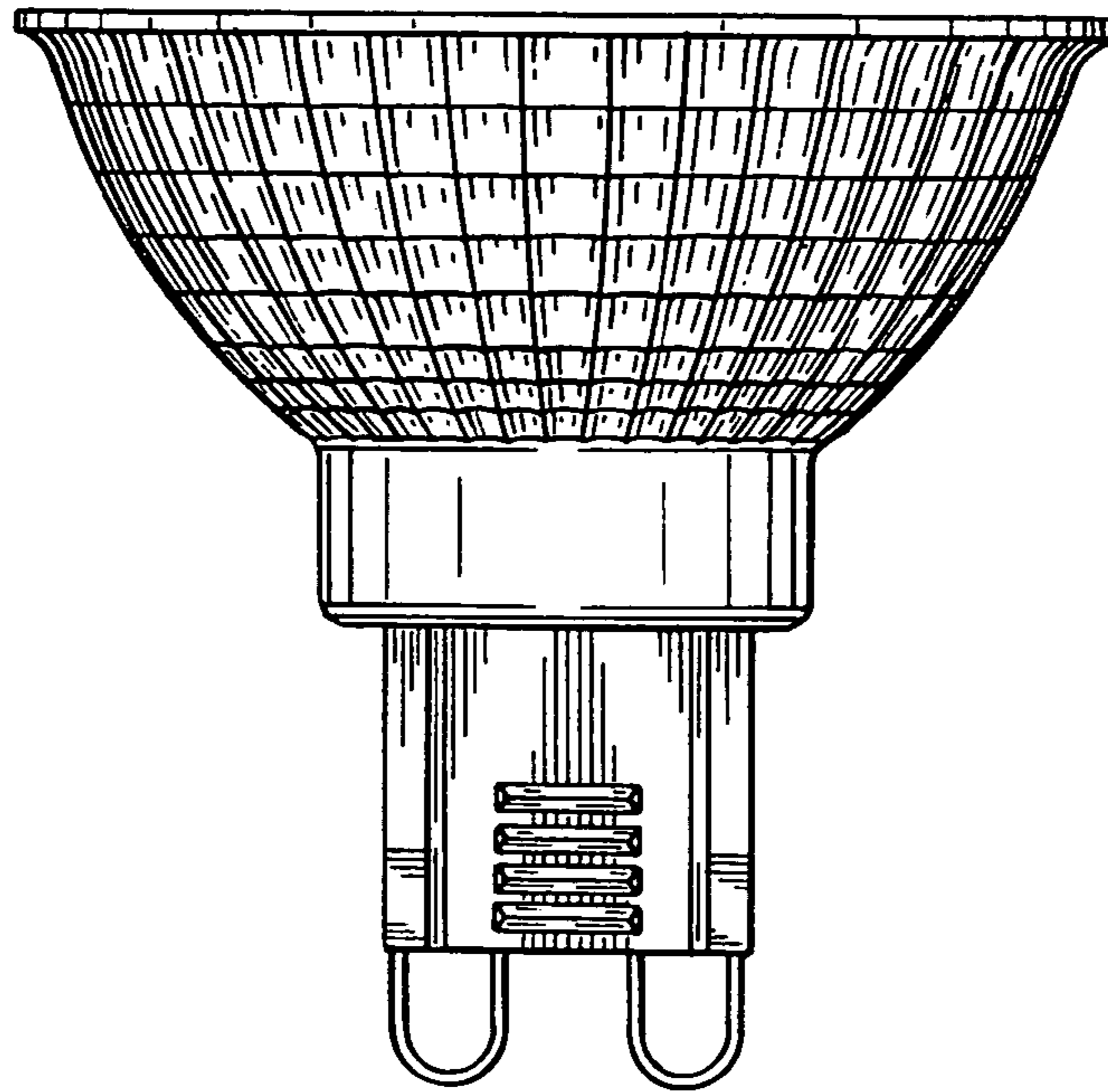
D497,439 S \* 10/2004 Shaw et al. .... D26/2

**1 Claim, 3 Drawing Sheets**

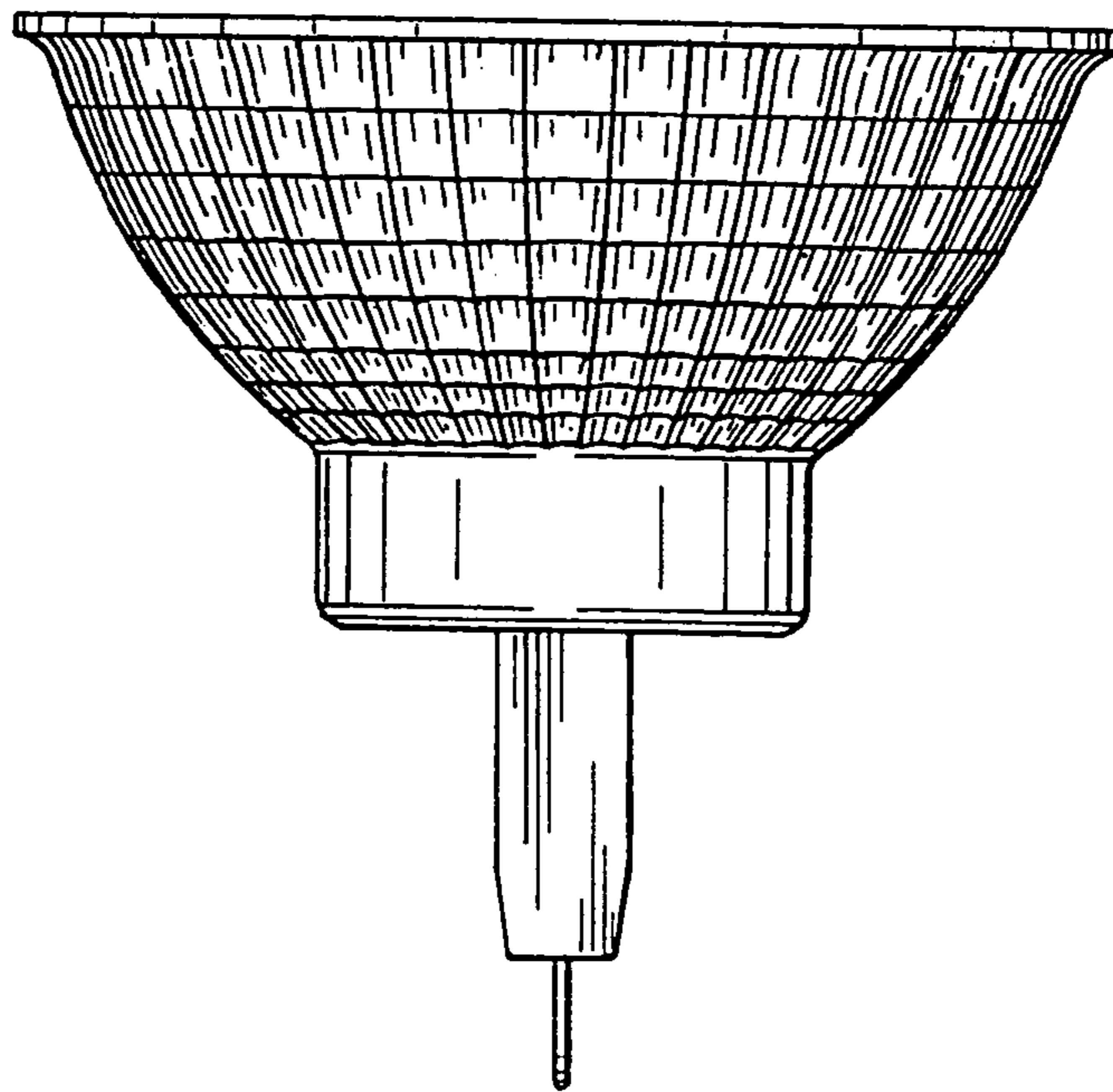




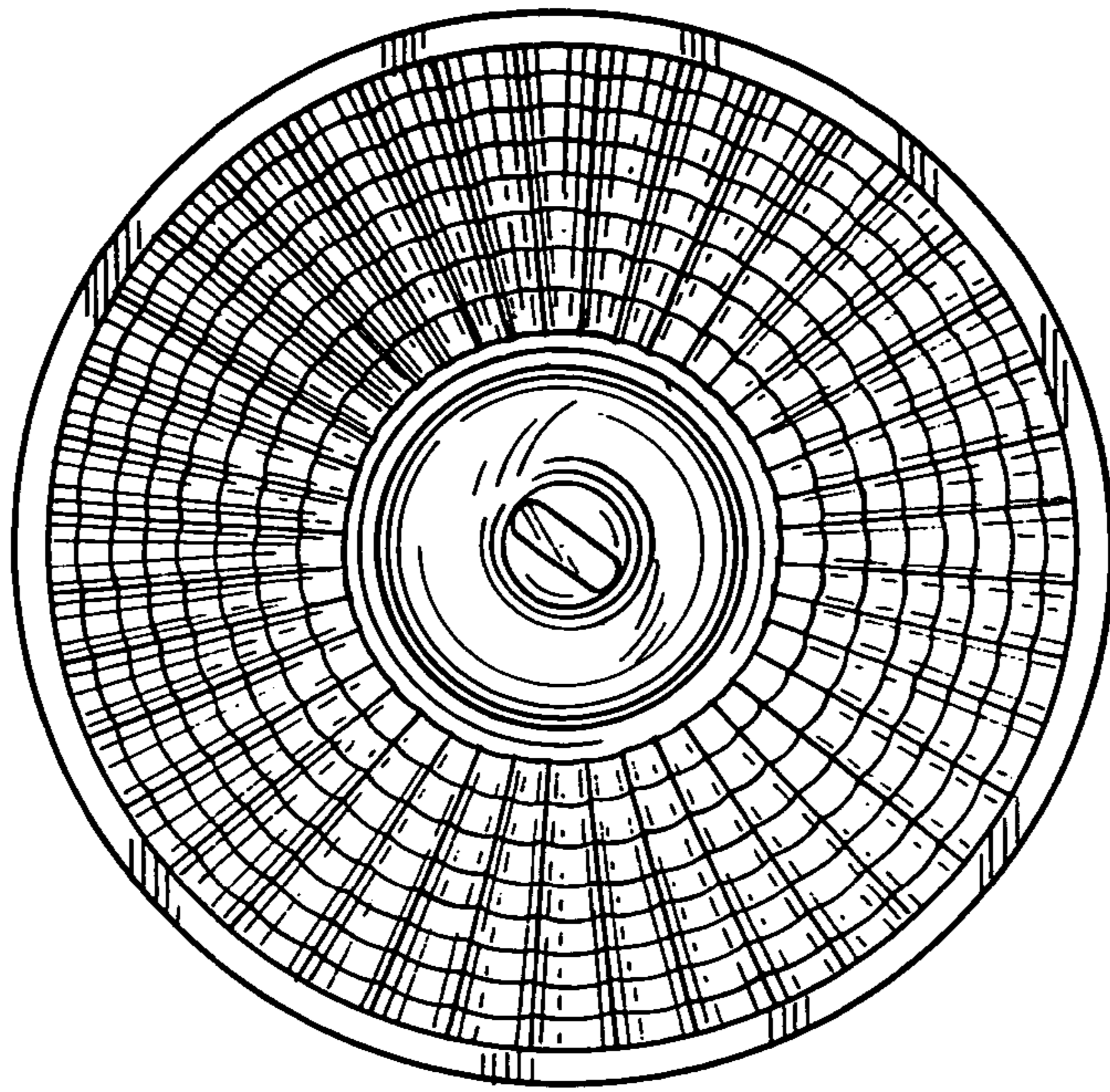
*Fig. 1*



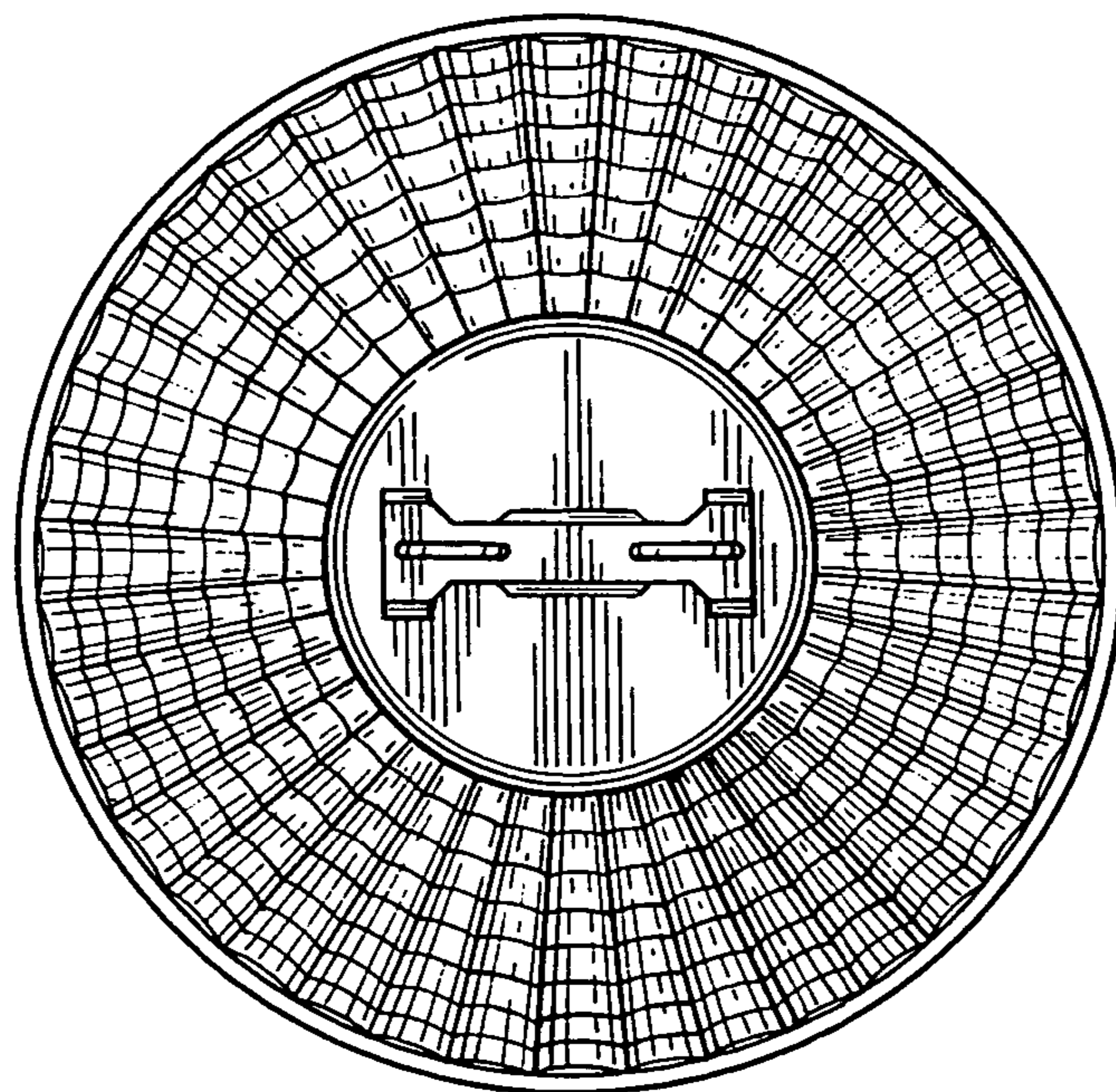
*Fig. 2*



*Fig. 3*



*Fig. 4*



*Fig. 5*