



US00D551782S

(12) **United States Design Patent**
Rodriguez et al.

(10) **Patent No.:** **US D551,782 S**

(45) **Date of Patent:** **** Sep. 25, 2007**

(54) **FENCE PANEL**

(76) Inventors: **Daniel Rodriguez**, 120 W. 36th St.,
Hialeah, FL (US) 33012; **Jose M.**
Mena, 120 W. 36th St., Hialeah, FL
(US) 33012

(**) Term: **14 Years**

(21) Appl. No.: **29/252,846**

(22) Filed: **Jan. 30, 2006**

(51) **LOC (8) Cl.** **25-01**

(52) **U.S. Cl.** **D25/126**

(58) **Field of Classification Search** D25/126,
D25/38, 43, 44, 39; 256/73, 22, 59, 65.01,
256/68, 72, 65.02, 65.04, 65.08, 65.11, 65.15,
256/65.16

See application file for complete search history.

(56) **References Cited**

U.S. PATENT DOCUMENTS

D431,659 S *	10/2000	Bouchard	D25/126
6,158,919 A *	12/2000	Landes	404/9
6,588,732 B1 *	7/2003	Caceres et al.	256/19
6,877,721 B2 *	4/2005	Calverley	256/24

* cited by examiner

Primary Examiner—Doris Clark

(74) *Attorney, Agent, or Firm*—Albert Bordas, P.A.

(57) **CLAIM**

The ornamental design for a fence panel, as shown and described.

DESCRIPTION

FIG. 1 is a top plan view of a fence panel showing our new design;

FIG. 2 is a bottom plan view thereof;

FIG. 3 is a front elevational view of the fence panel on a reduced scale;

FIG. 4 is a front elevational view of a section of the fence panel on an enlarged scale;

FIG. 5 is a rear elevational view of the fence panel on a reduced scale;

FIG. 6 is a rear elevational view of a section of the fence panel on an enlarged scale;

FIG. 7 is a right side elevational view of the fence panel on a reduced scale;

FIG. 8 is a right side perspective view of a section of the fence panel on an enlarged scale;

FIG. 9 is a left side elevational view of the fence panel on a reduced scale;

FIG. 10 is a left side perspective view of a section of the fence panel on an enlarged scale; and,

FIG. 11 is a perspective view of a fence panel on a reduced scale in condition of use with a plurality of like fence panels with fence posts and secured by nails.

The broken lines are for environmental purposes only and form no part of the claimed design.

1 Claim, 3 Drawing Sheets



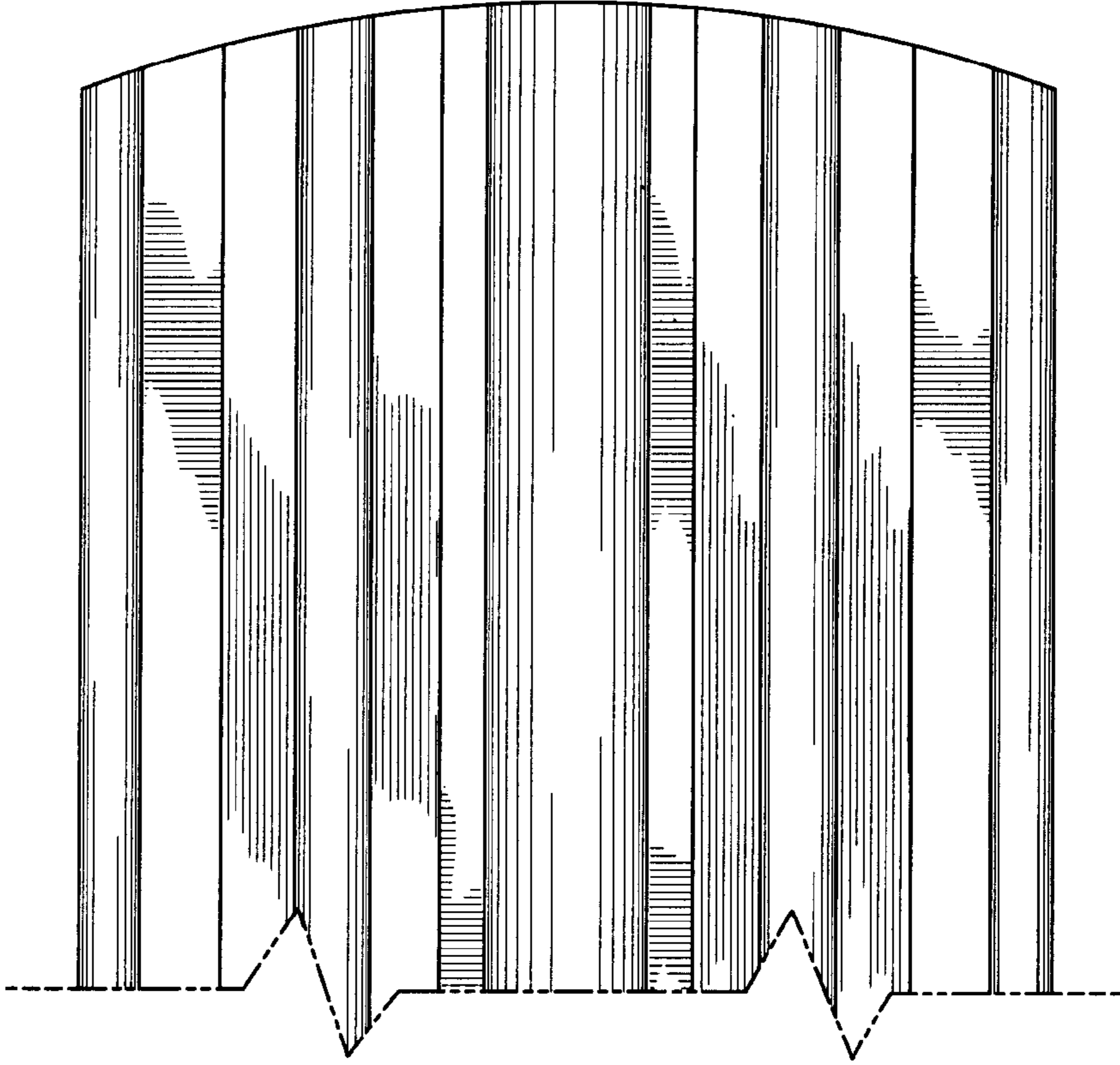


Fig. 4

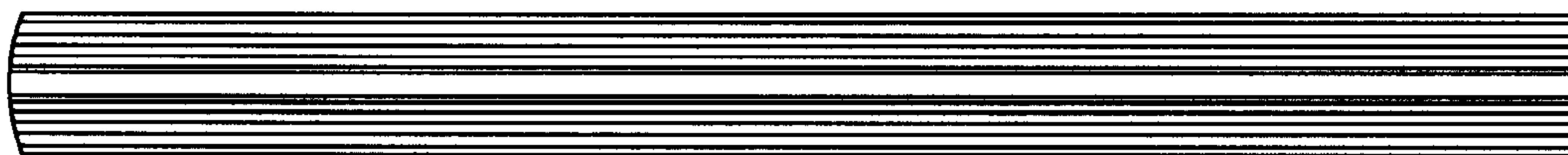


Fig. 5

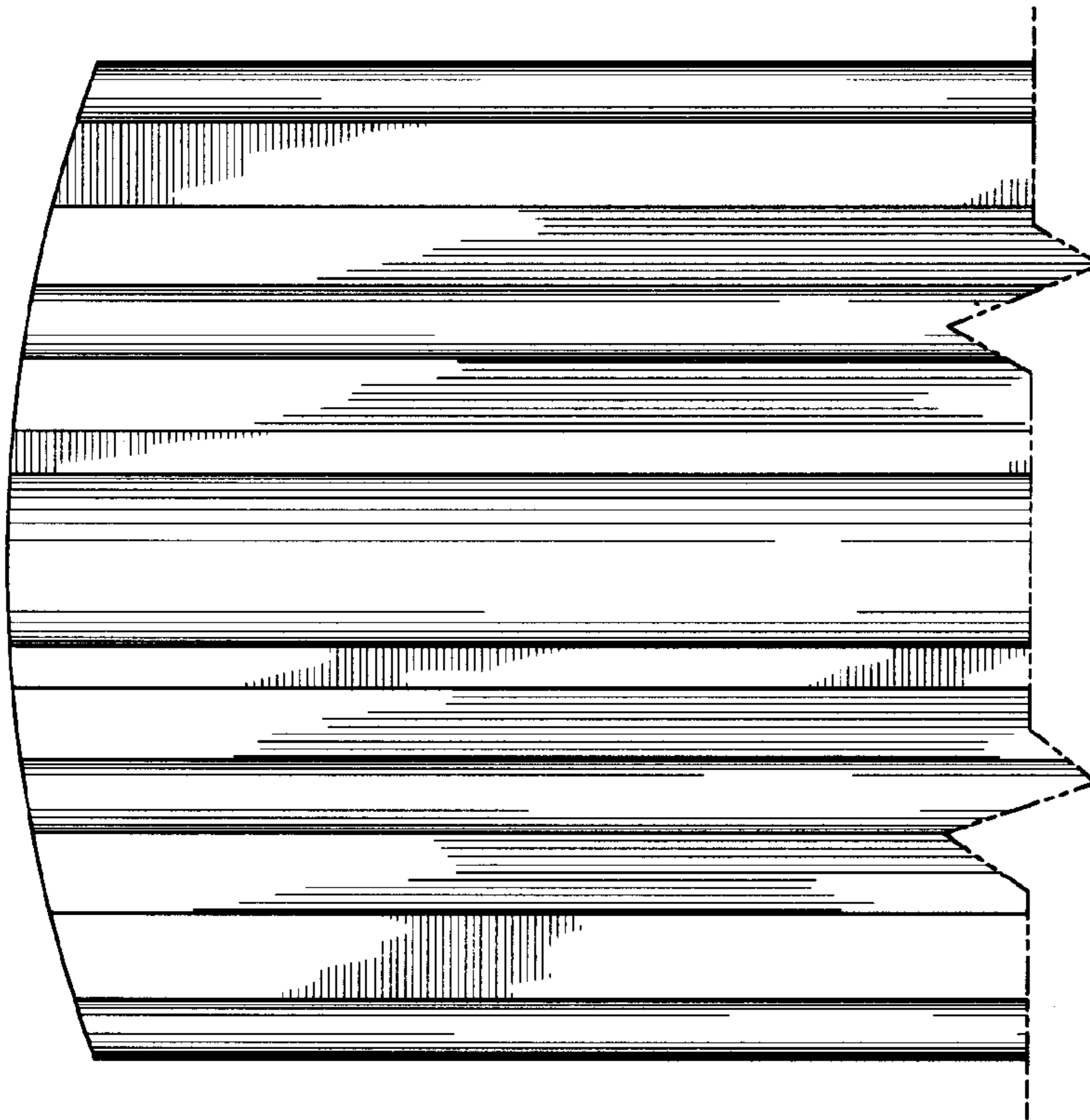


Fig. 6



Fig. 7



Fig. 8

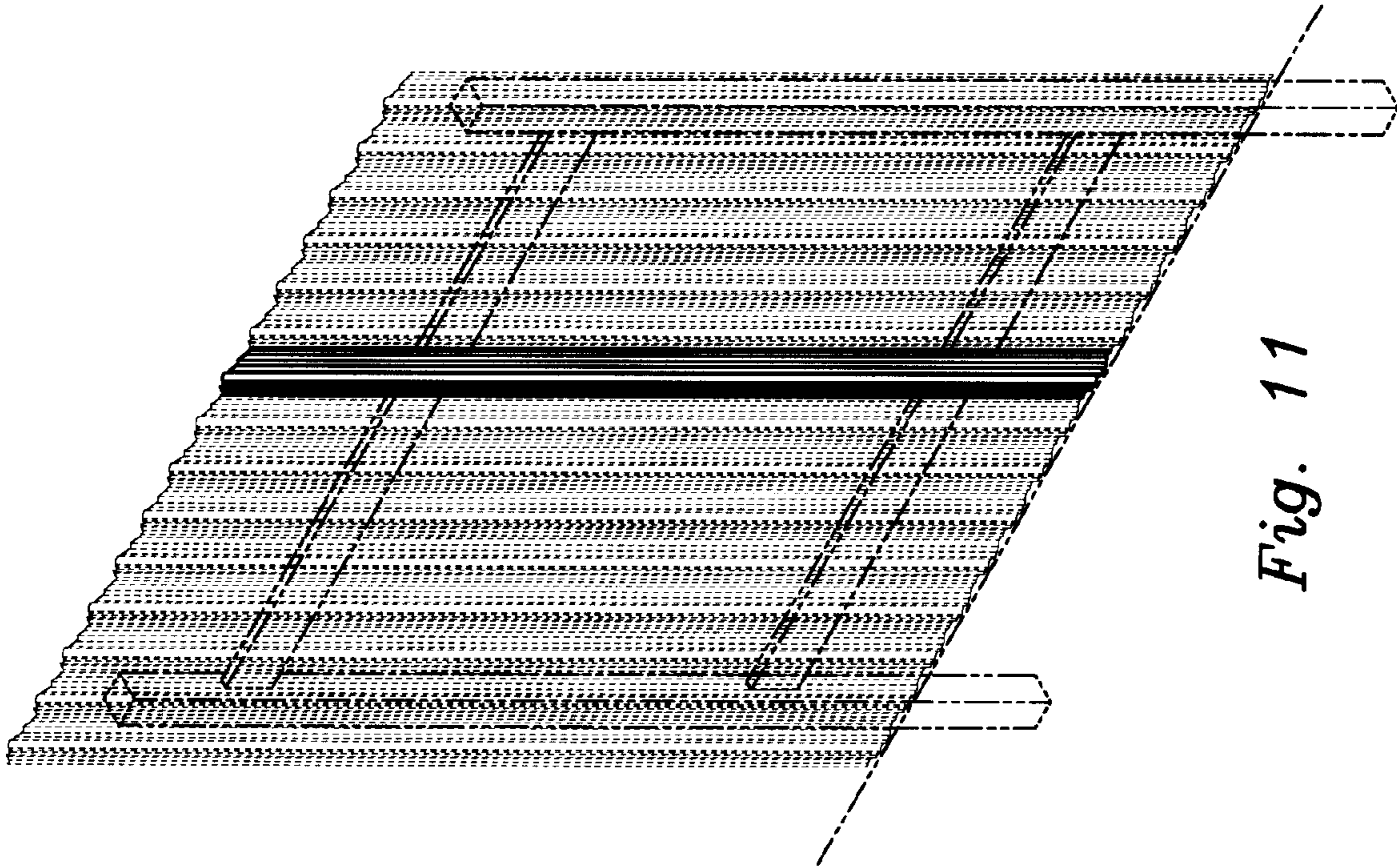


Fig. 11

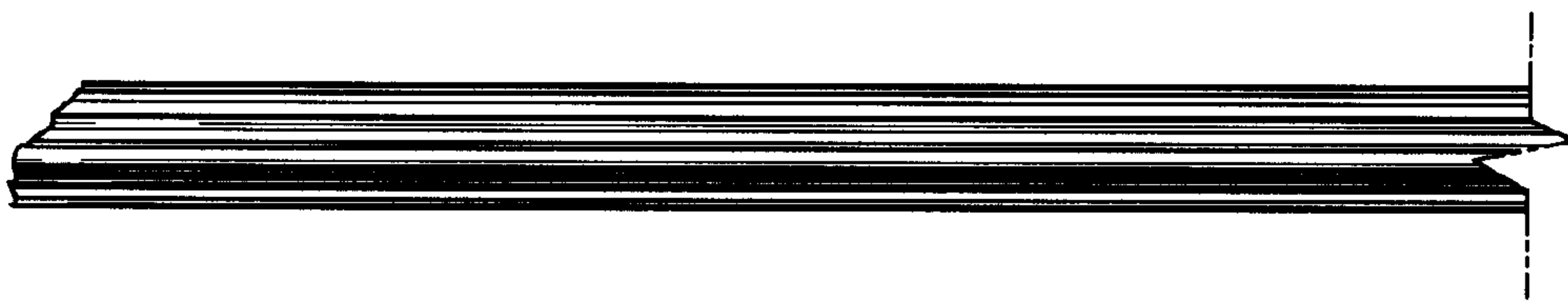


Fig. 10



Fig. 9