



US00D551781S

(12) **United States Design Patent**
Abdullah

(10) **Patent No.:** **US D551,781 S**

(45) **Date of Patent:** **** Sep. 25, 2007**

(54) **SLAT WALL**

(75) Inventor: **Tariq Abdullah**, Cambridge (CA)

(73) Assignee: **FMF Store Fixtures Incorporated**,
Kitchener, ON

(**) Term: **14 Years**

(21) Appl. No.: **29/229,218**

(22) Filed: **May 5, 2005**

(51) **LOC (8) Cl.** **25-01**

(52) **U.S. Cl.** **D25/123**

(58) **Field of Classification Search** D25/123,
D25/119, 138, 58, 163; 52/36.4, 36.5, 762;
211/94.01, 94.02, 41.15, 134, 87.01, 90.01
See application file for complete search history.

(56) **References Cited**

U.S. PATENT DOCUMENTS

4,401,222 A	8/1983	Kulikowski et al.	211/94
4,618,192 A	10/1986	Kelley	312/245
4,726,554 A	2/1988	Sorrell	248/222.2
4,809,479 A	3/1989	Tierno et al.	52/588
5,228,579 A	7/1993	Kaufman	211/94
5,409,120 A	4/1995	Miller et al.	211/87
5,775,521 A	7/1998	Tisbo	211/94.1
D404,148 S	1/1999	Laskowski et al.	D25/123
5,944,203 A	8/1999	Vlah et al.	211/89
5,983,574 A *	11/1999	Holztrager	52/36.5
6,185,899 B1 *	2/2001	De Niet	52/762
6,220,461 B1	4/2001	Dickinson	211/90.01

6,763,957 B1	7/2004	Mullerleile	211/94.01
D504,526 S *	4/2005	Perkins et al.	D25/138
D511,581 S *	11/2005	Holztrager	D25/123
D533,283 S *	12/2006	Holztrager	D25/123
2006/0091094 A1 *	5/2006	Schuberth	211/94.01
2006/0180561 A1 *	8/2006	Wisnoski et al.	211/94.01

* cited by examiner

Primary Examiner—Catherine R. Oliver

(57) **CLAIM**

The ornamental design for a slat wall, as shown and described.

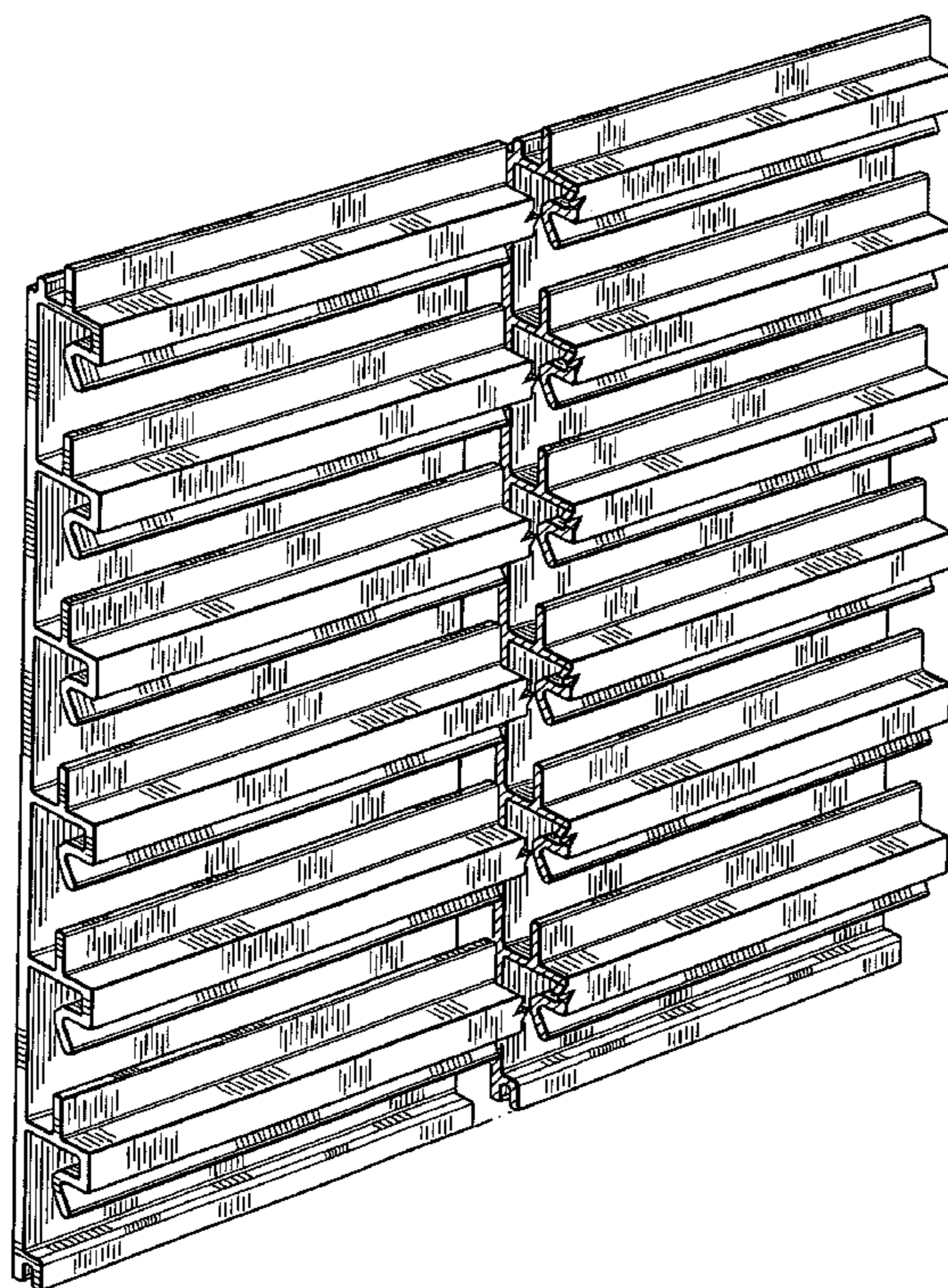
DESCRIPTION

FIG. 1 is a perspective view of a front side of the slat wall;
FIG. 2 is a perspective view of a rear view thereof;
FIG. 3 is an elevation view of the front side thereof;
FIG. 4 is a side elevation view thereof;
FIG. 5 is a top view thereof;
FIG. 6 is a bottom view thereof; and,
FIG. 7 is a side elevation view thereof showing accessories
mounted thereon.

FIGS. 1–3 and 5–6 are shown broken away to indicate
indeterminate length.

The broken lines showing accessories in FIG. 7 are for
illustrative purposes only and form no part of the claimed
design.

1 Claim, 5 Drawing Sheets



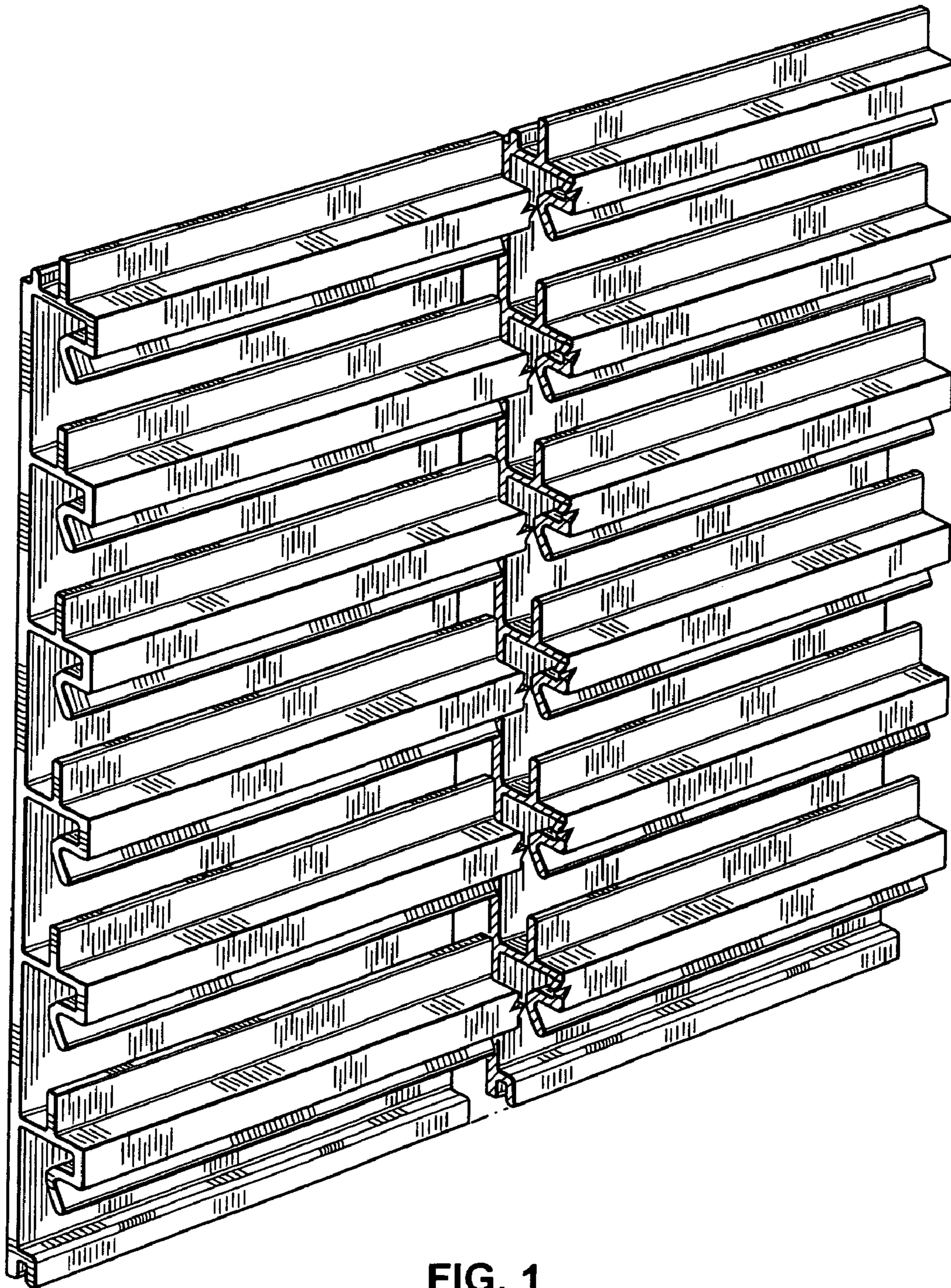


FIG. 1

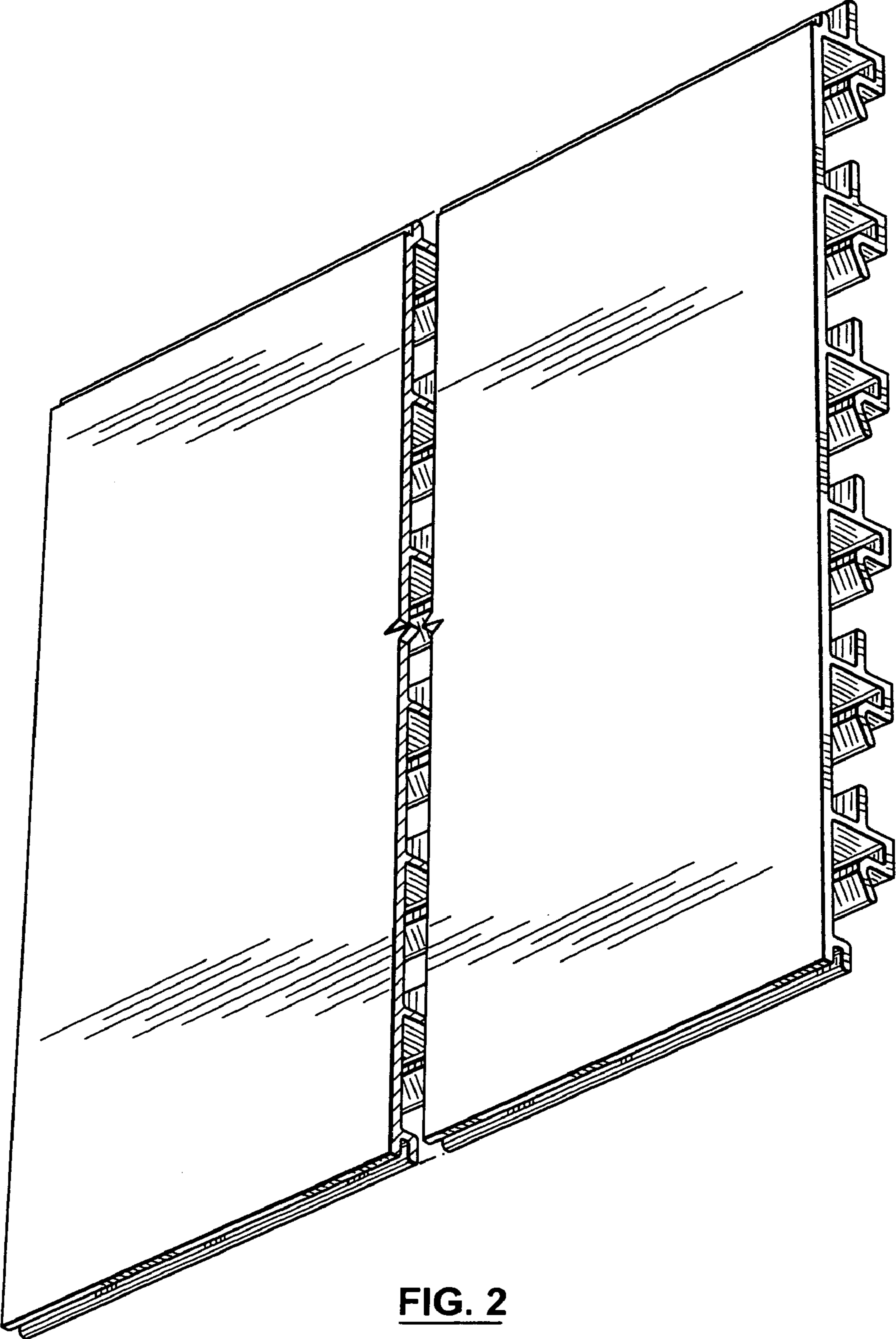


FIG. 2

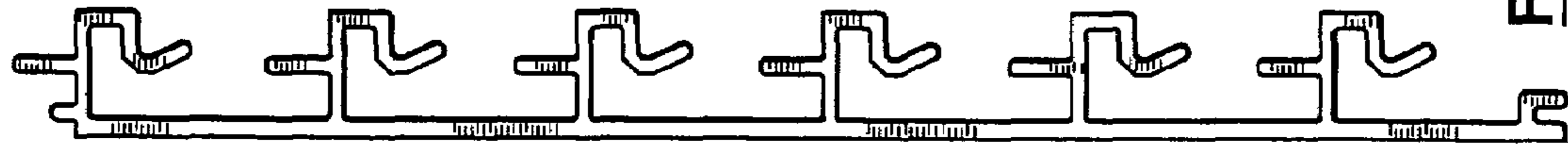


FIG. 4

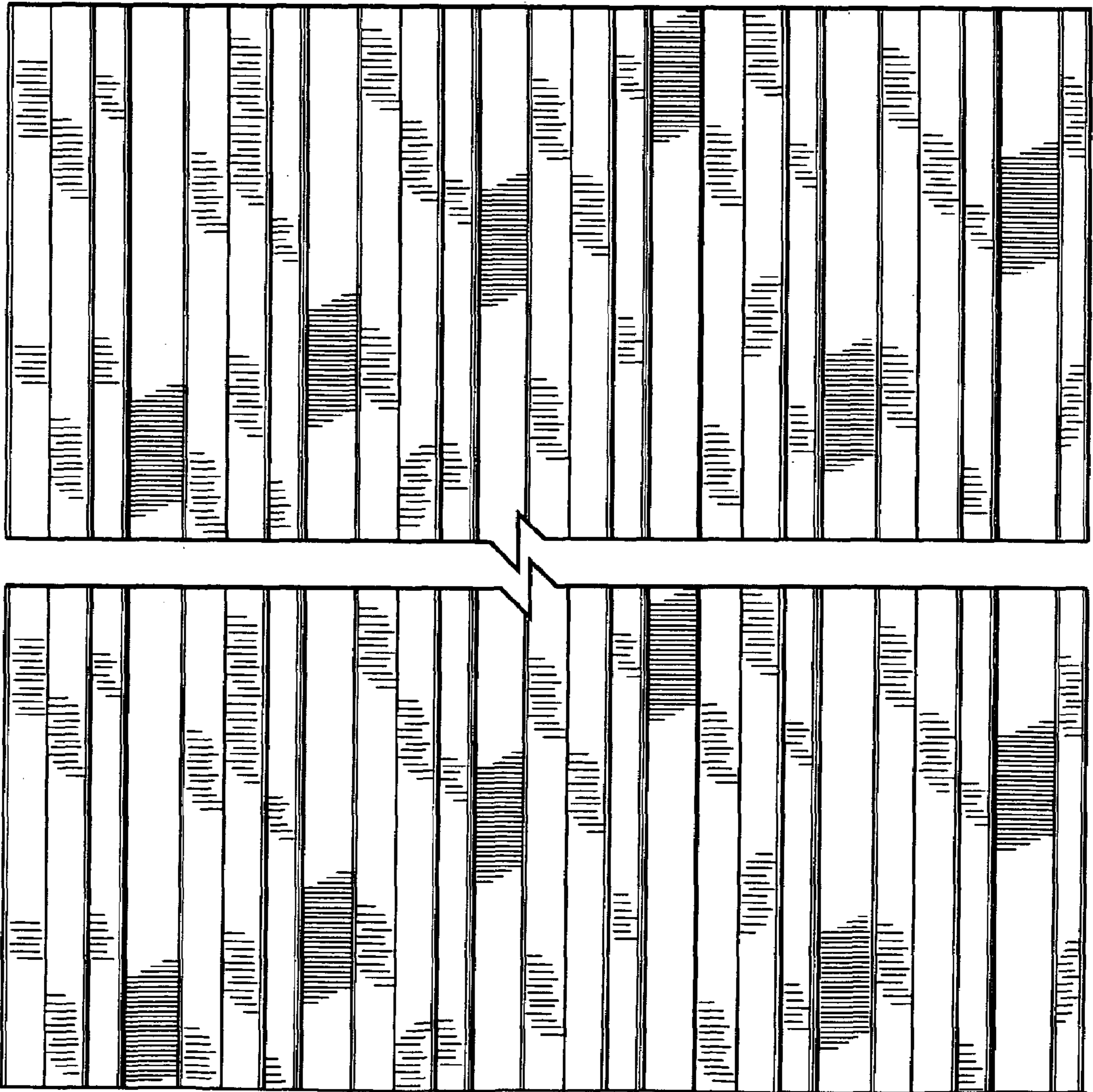


FIG. 3

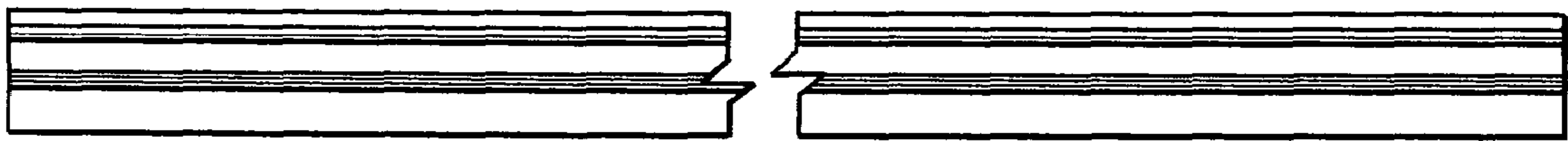


FIG. 5



FIG. 6

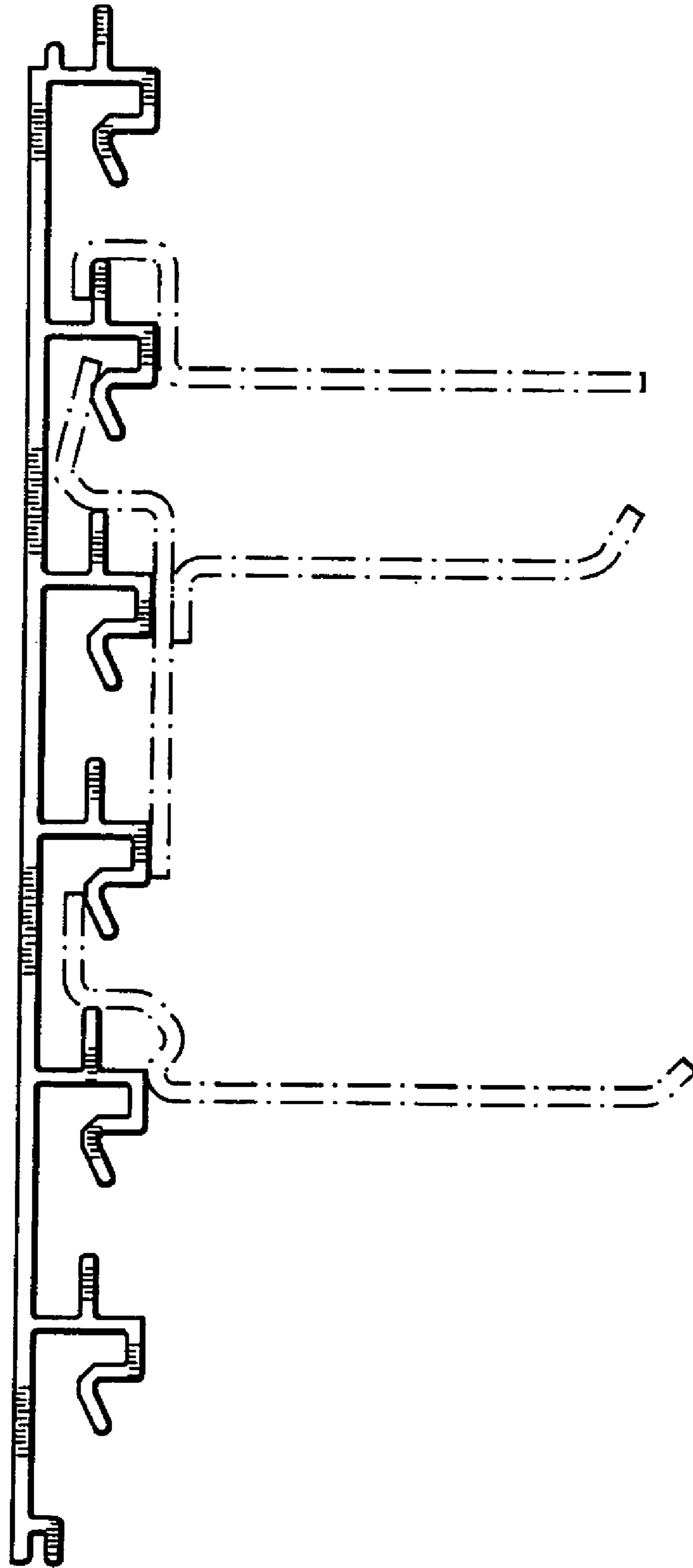


FIG. 7