



US00D551780S

(12) **United States Design Patent**
Auret

(10) **Patent No.:** **US D551,780 S**

(45) **Date of Patent:** **** Sep. 25, 2007**

(54) **FENCE RAIL**

D471,284 S * 3/2003 Heath D25/38
D484,249 S * 12/2003 Michael et al. D25/38
D497,432 S * 10/2004 Ohanesian D25/38

(75) Inventor: **Derek Michael Auret**, Cashmere (AU)

(73) Assignee: **Panel Crimp Pty Ltd**, Cairns,
Queensland (AU)

* cited by examiner

Primary Examiner—Doris Clark

(**) Term: **14 Years**

(74) *Attorney, Agent, or Firm*—Akin Gump Strauss Hauer &
Feld LLP

(21) Appl. No.: **29/254,259**

(57) **CLAIM**

(22) Filed: **Feb. 21, 2006**

The ornamental design for a fence rail, as shown and
described.

(51) **LOC (8) Cl.** **25-01**

(52) **U.S. Cl.** **D25/122**

(58) **Field of Classification Search** D25/38,
D25/43, 44, 39, 122; 52/65.01, 59, 68, 72,
52/65.02, 65.04, 65.08, 65.11, 65.15, 65.16
See application file for complete search history.

DESCRIPTION

(56) **References Cited**

U.S. PATENT DOCUMENTS

2,855,227 A * 10/1958 Bottom 403/119
D200,702 S * 3/1965 Huret D25/121
3,522,933 A * 8/1970 Braun 256/22
3,529,808 A * 9/1970 Siebers 256/65.08
3,942,763 A * 3/1976 Helterbrand et al. 256/22
5,187,912 A * 2/1993 Hsueh 52/36.5
D415,287 S * 10/1999 Davis D25/38
D461,914 S * 8/2002 Hughes et al. D25/122

FIG. 1 is an end perspective view of a fence rail in
accordance with my new design;

FIG. 2 is a left end elevational view thereof;

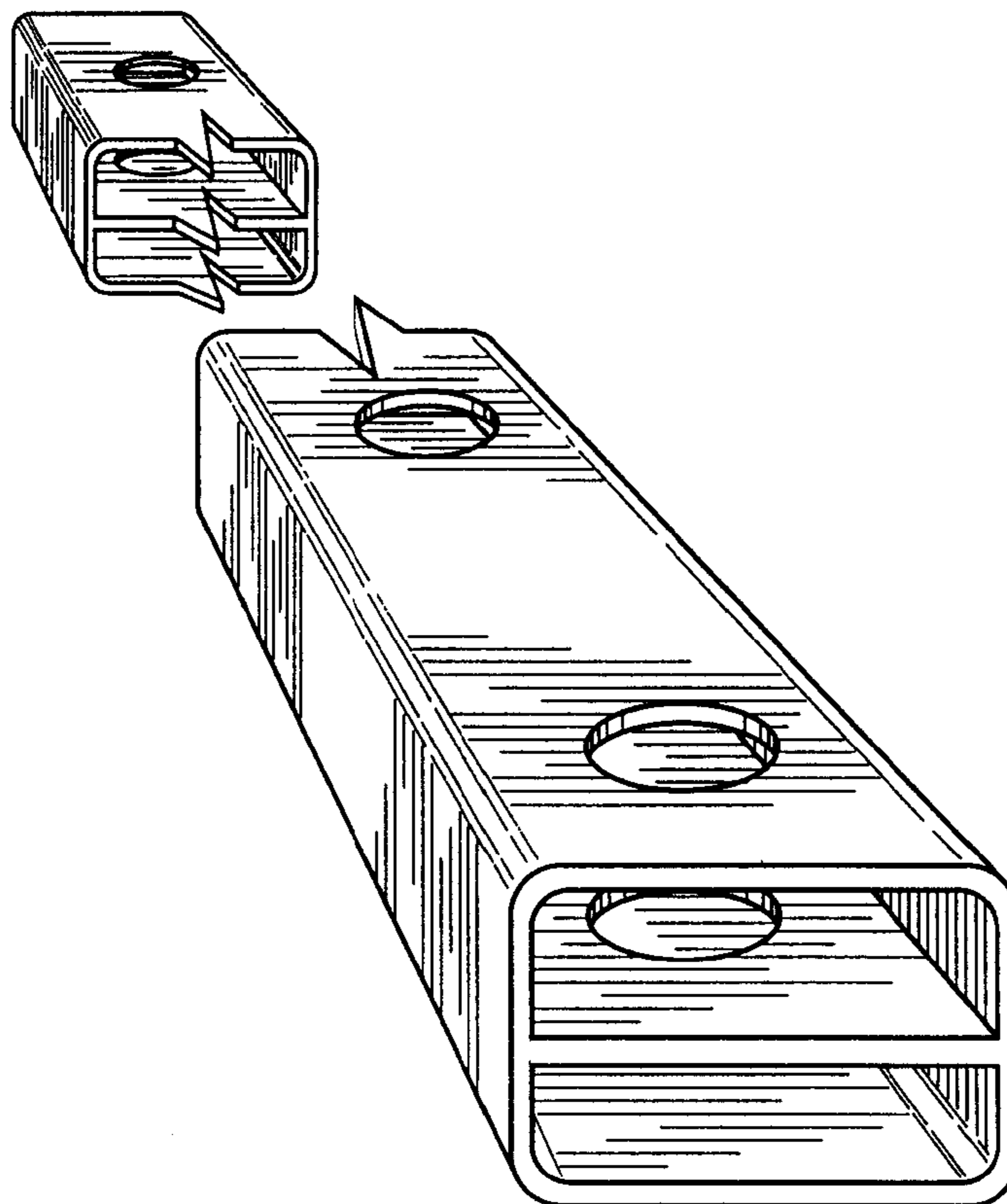
FIG. 3 is a top plan view thereof, the bottom plan view
thereof being identical;

FIG. 4 is a right end view thereof; and,

FIG. 5 is a front elevational view thereof, the rear elevational
view thereof being identical.

The broken sections in FIGS. 1, 3, and 5 are only for the
purpose of clarifying that the design is of arbitrary length.

1 Claim, 2 Drawing Sheets



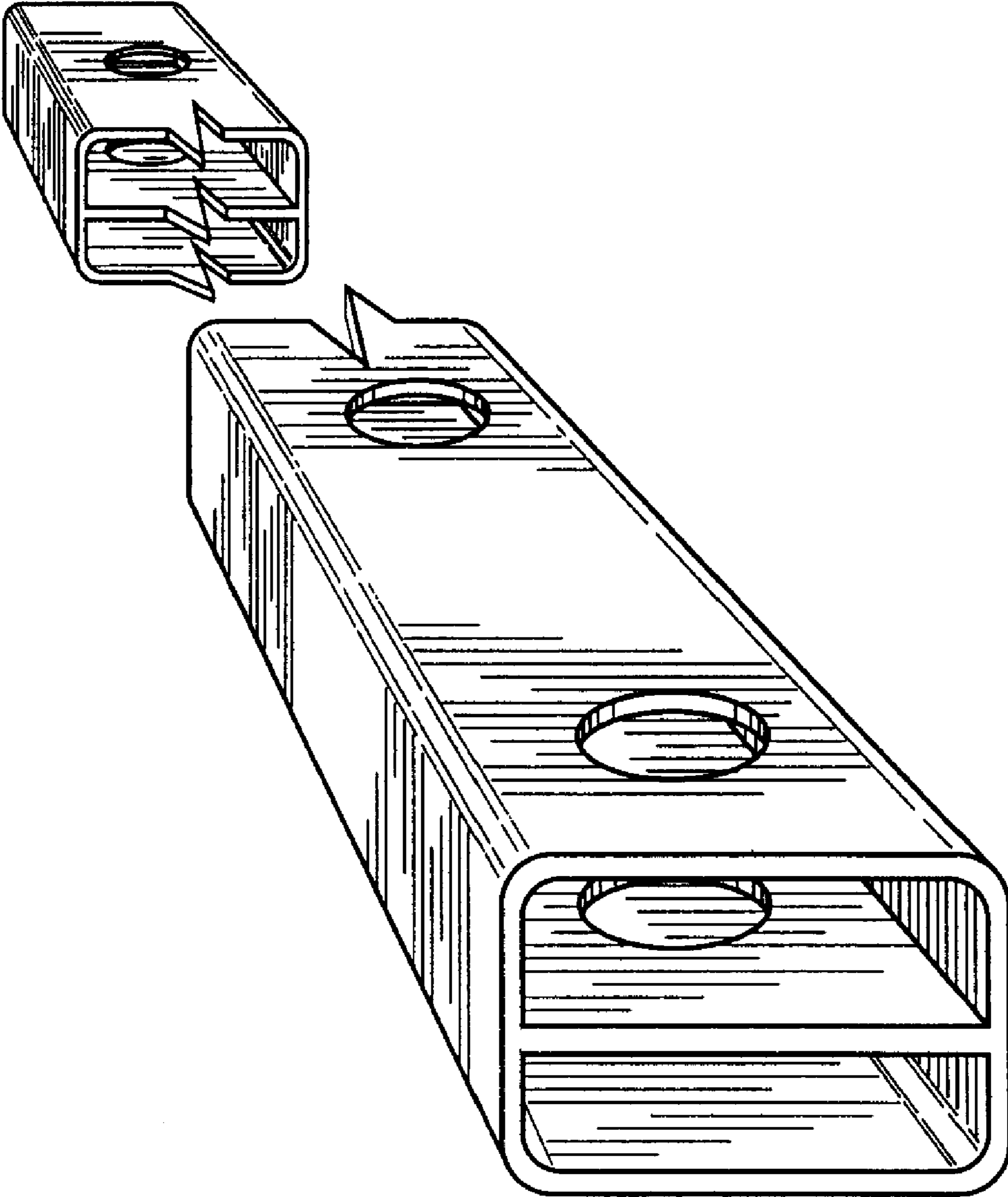


Fig. 1

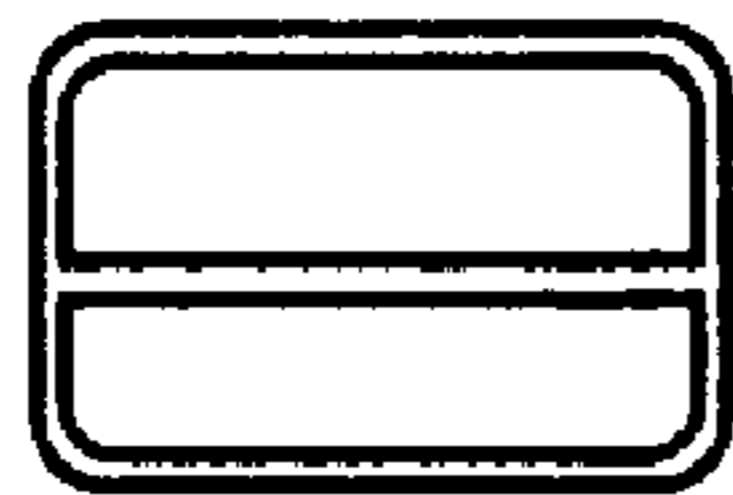


Fig. 2

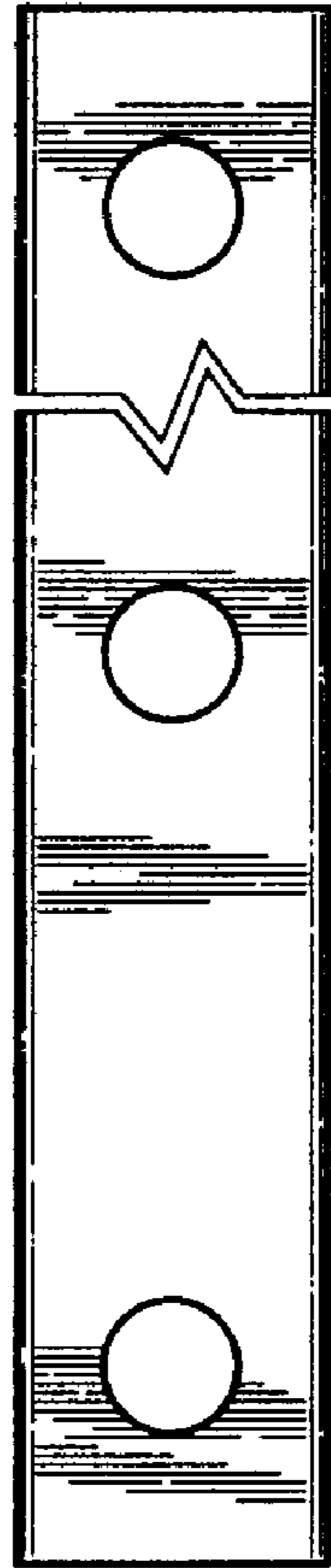


Fig. 3



Fig. 4



Fig. 5