



US00D551775S

(12) **United States Design Patent**
McGinness

(10) **Patent No.:** **US D551,775 S**

(45) **Date of Patent:** **** Sep. 25, 2007**

(54) **RAIL CAP**

(75) Inventor: **William McGinness**, Pinson, AL (US)

(73) Assignee: **Homeland Vinyl Products, Inc.**,
Birmingham, AL (US)

(**) Term: **14 Years**

(21) Appl. No.: **29/252,906**

(22) Filed: **Jan. 30, 2006**

(51) **LOC (8) Cl.** **25-02**

(52) **U.S. Cl.** **D25/38; D25/135**

(58) **Field of Classification Search** D25/38,
D25/43, 44, 39, 135; 52/65.01, 59, 68, 72,
52/65.02, 65.04, 65.08, 65.11, 65.15, 65.16
See application file for complete search history.

(56) **References Cited**

U.S. PATENT DOCUMENTS

2,855,227	A *	10/1958	Bottom	403/119
D200,702	S *	3/1965	Huret	D25/121
3,522,933	A *	8/1970	Braun	256/22
3,529,808	A *	9/1970	Siebers	256/65.08
3,942,763	A *	3/1976	Helterbrand et al.	256/22

5,187,912	A *	2/1993	Hsueh	52/36.5
D415,287	S *	10/1999	Davis	D25/38
D444,243	S *	6/2001	Erwin	D25/135
D471,284	S *	3/2003	Heath	D25/38
D484,249	S *	12/2003	Michael et al.	D25/38
D497,432	S *	10/2004	Ohanesian	D25/38

* cited by examiner

Primary Examiner—Doris Clark

(74) *Attorney, Agent, or Firm*—Smith, Gambrell & Russell

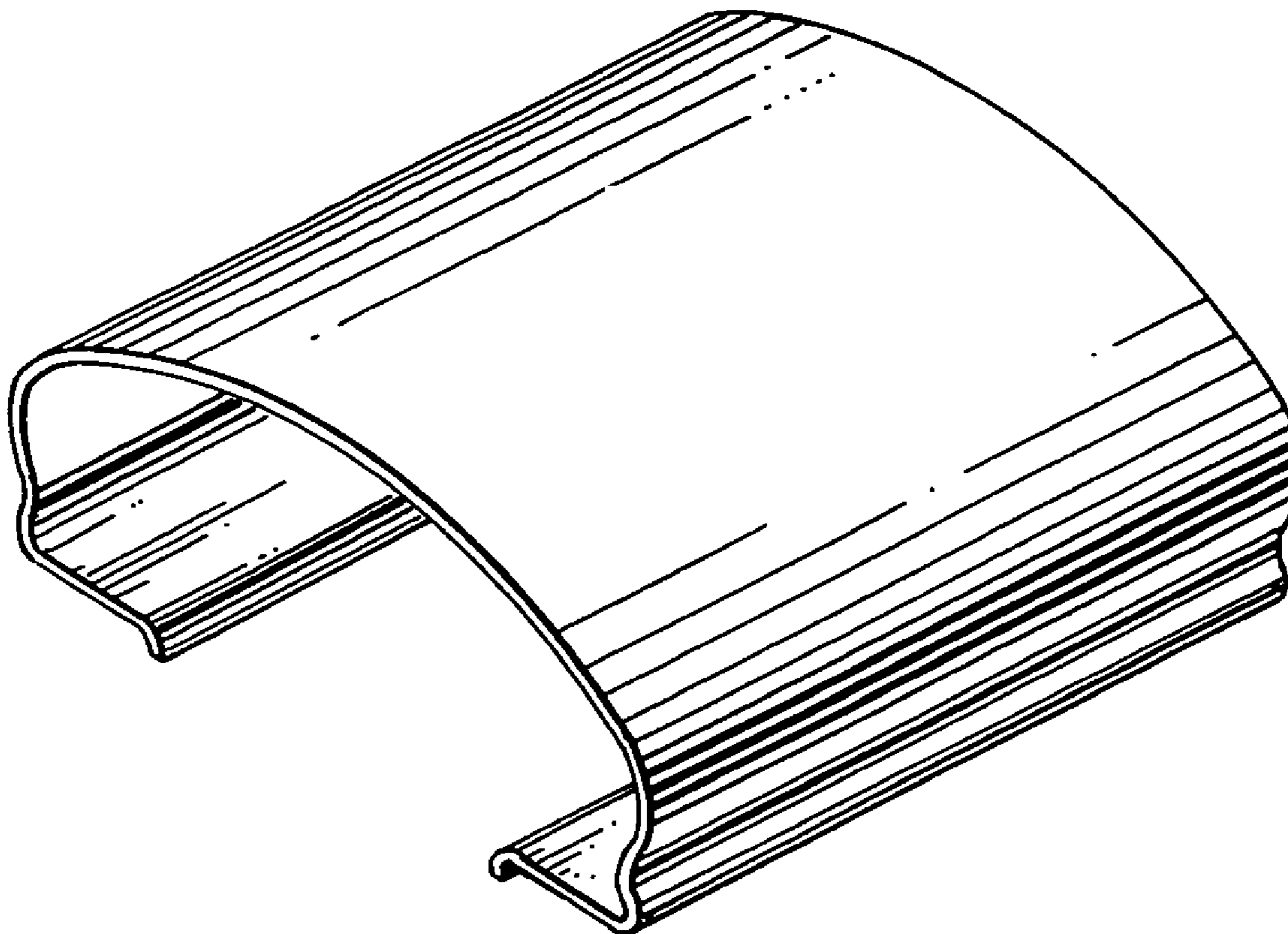
(57) **CLAIM**

The ornamental design for a rail cap, as shown and described.

DESCRIPTION

FIG. 1 is a perspective view;
 FIG. 2 is a top view thereof;
 FIG. 3 is a left side view thereof;
 FIG. 4 is an end view thereof, in which both ends appear the same;
 FIG. 5 is a bottom view thereof; and,
 FIG. 6 is a right side view thereof.

1 Claim, 2 Drawing Sheets



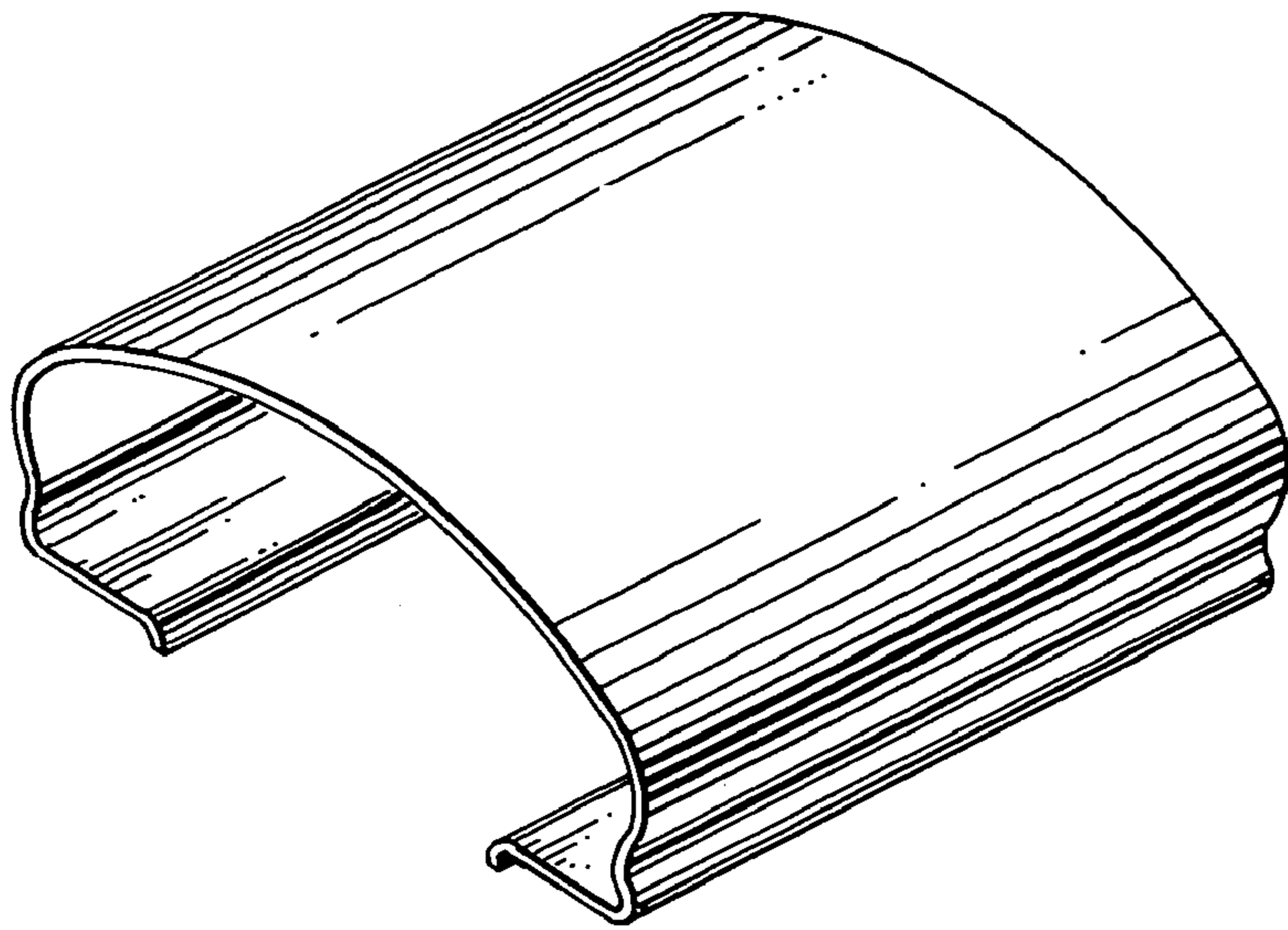


Fig. 1

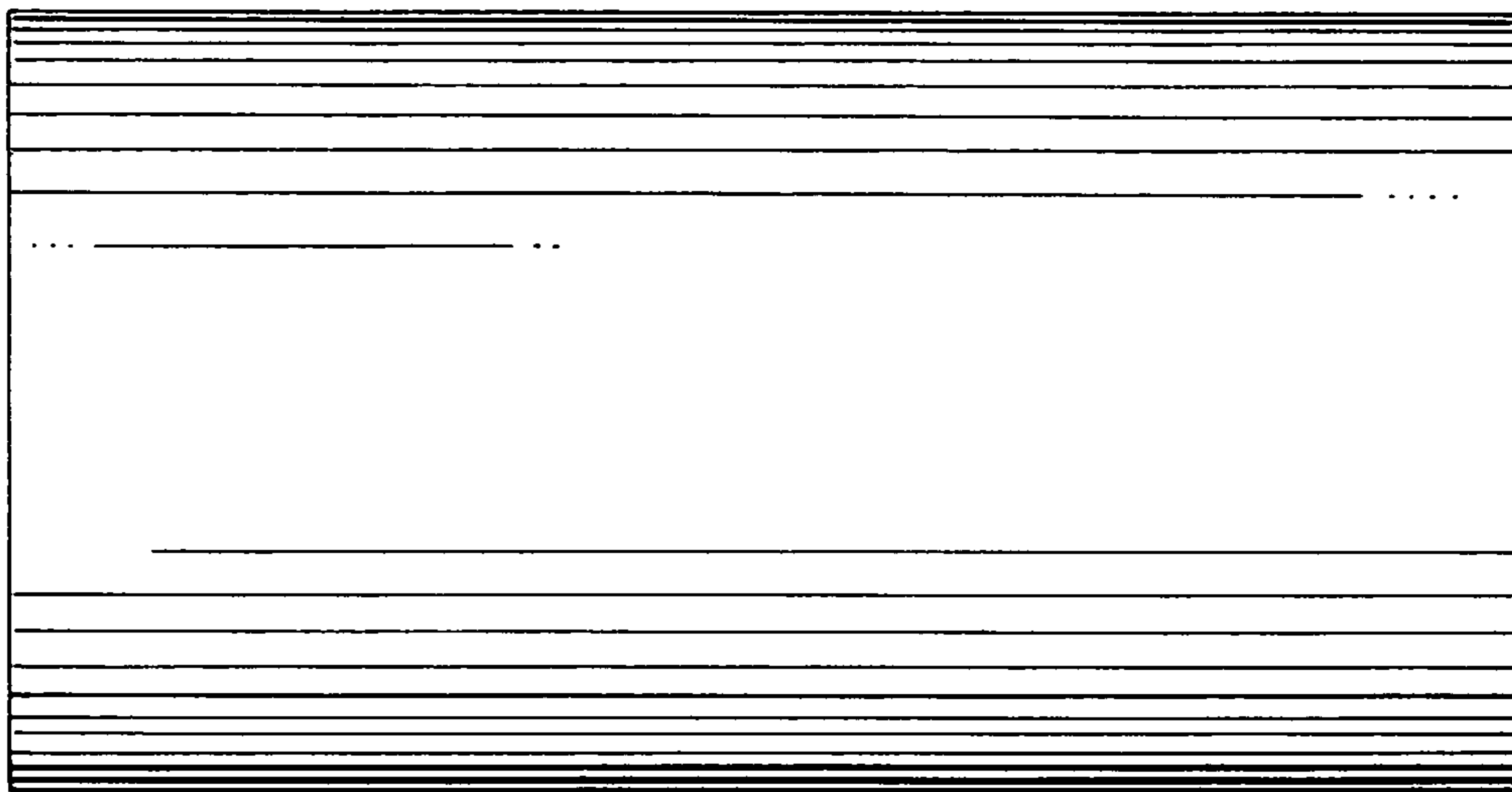


Fig. 2

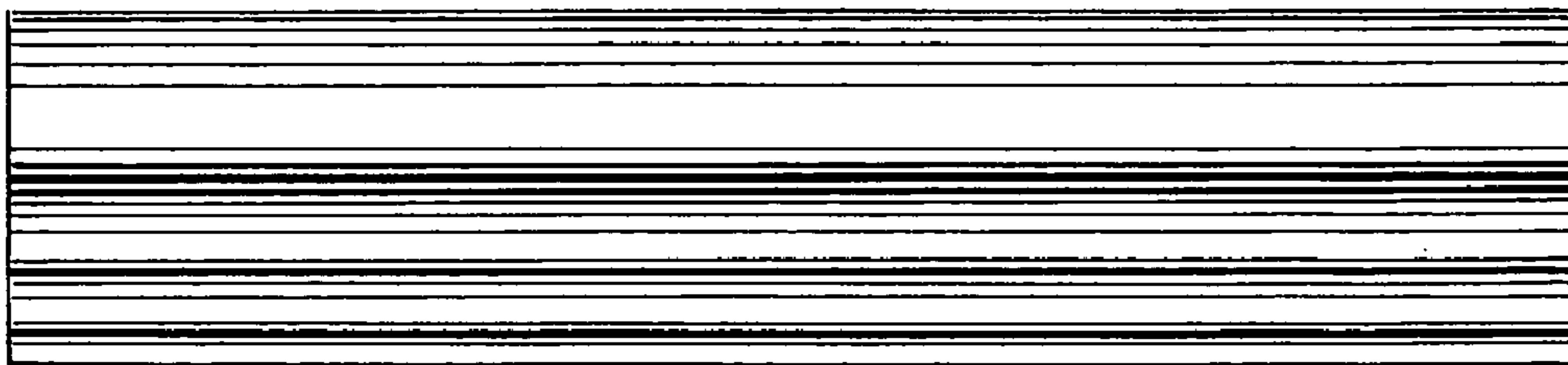


Fig. 3

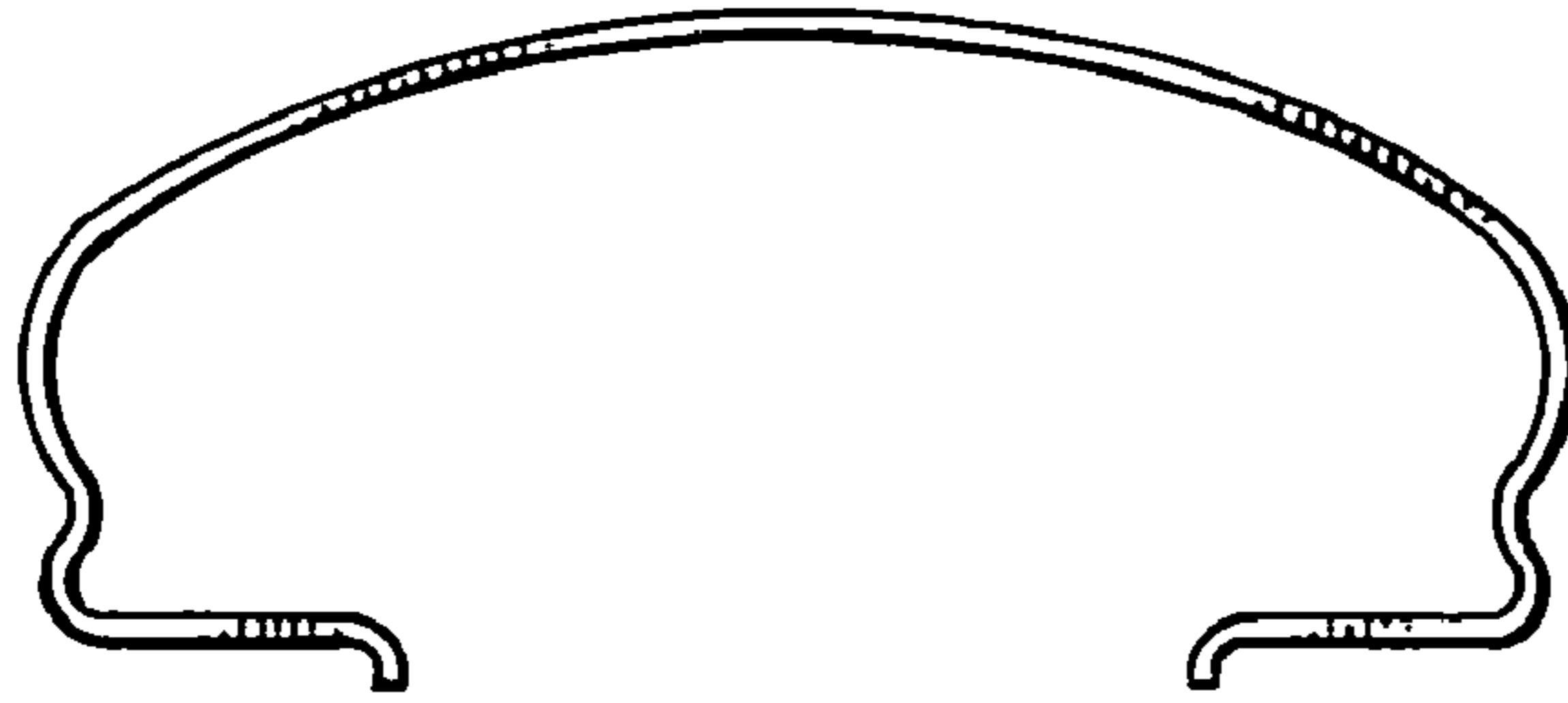


Fig. 4

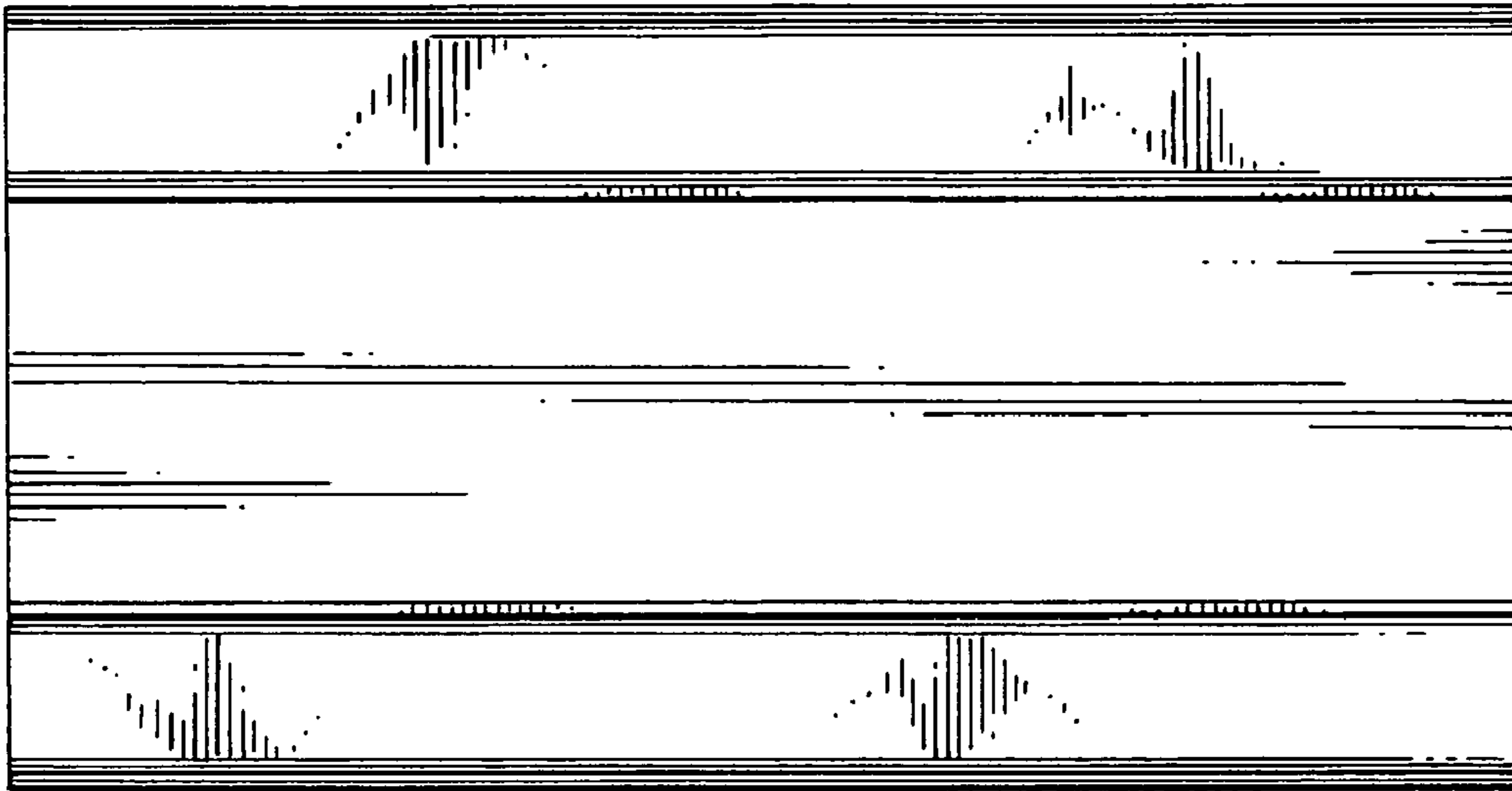


Fig. 5

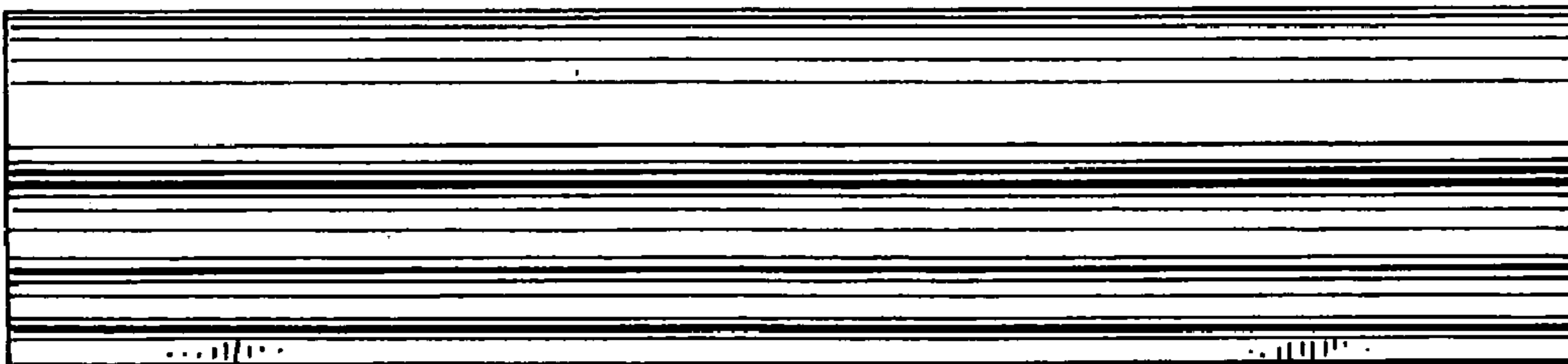


Fig. 6