



US00D551774S

(12) **United States Design Patent**  
**McGinness**

(10) **Patent No.:** **US D551,774 S**

(45) **Date of Patent:** **\*\* Sep. 25, 2007**

(54) **RAIL CAP**

(75) Inventor: **William McGinness**, Pinson, AL (US)

(73) Assignee: **Homeland Vinyl Products, Inc.**,  
Birmingham, AL (US)

(\*\*) Term: **14 Years**

(21) Appl. No.: **29/252,904**

(22) Filed: **Jan. 30, 2006**

(51) **LOC (8) Cl.** ..... **25-02**

(52) **U.S. Cl.** ..... **D25/38; D25/135**

(58) **Field of Classification Search** ..... D25/38,  
D25/43, 44, 39, 135; 52/65.01, 59, 68, 72,  
52/65.02, 65.04, 65.08, 65.11, 65.15, 65.16  
See application file for complete search history.

(56) **References Cited**

**U.S. PATENT DOCUMENTS**

2,855,227	A *	10/1958	Bottom	.....	403/119
D200,702	S *	3/1965	Huret	.....	D25/121
3,522,933	A *	8/1970	Braun	.....	256/22
3,529,808	A *	9/1970	Siebers	.....	256/65.08
3,942,763	A *	3/1976	Helterbrand et al.	.....	256/22

5,187,912	A *	2/1993	Hsueh	.....	52/36.5
D415,287	S *	10/1999	Davis	.....	D25/38
D444,243	S *	6/2001	Erwin	.....	D25/135
D471,284	S *	3/2003	Heath	.....	D25/38
D484,249	S *	12/2003	Michael et al.	.....	D25/38
D497,432	S *	10/2004	Ohanesian	.....	D25/38

\* cited by examiner

*Primary Examiner*—Doris Clark

(74) *Attorney, Agent, or Firm*—Smith, Gambrell & Russell

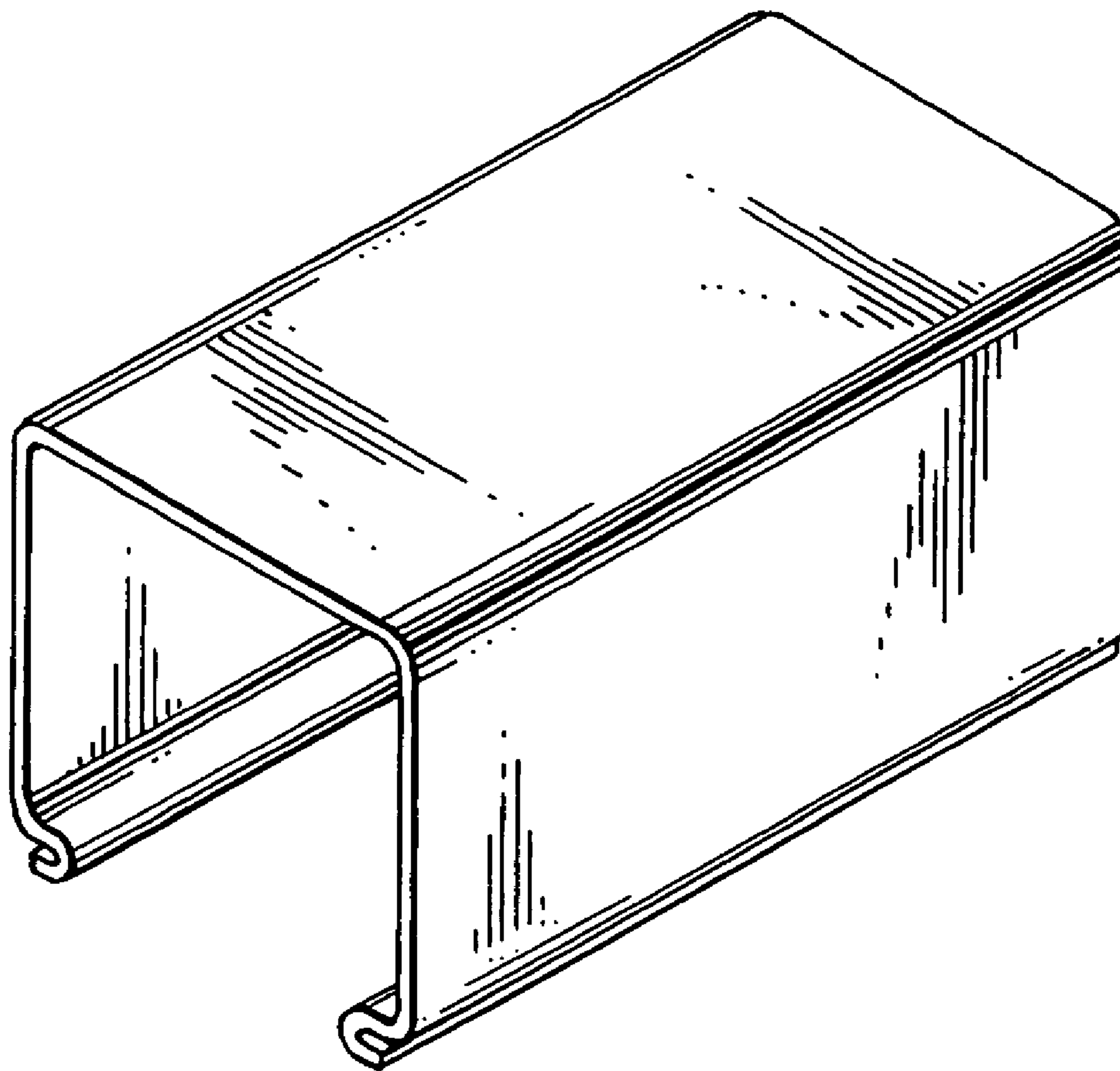
(57) **CLAIM**

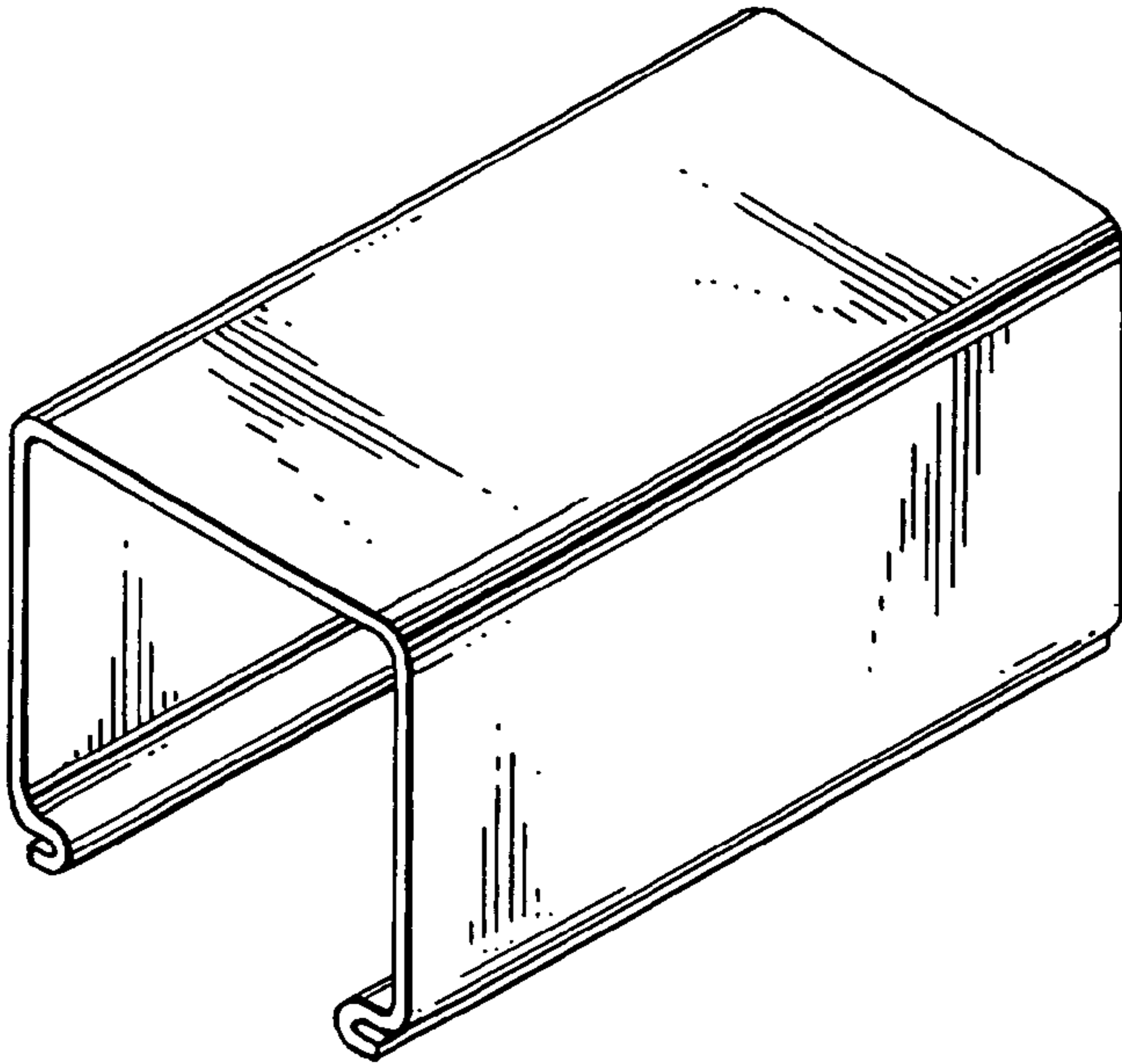
The ornamental design for a rail cap, as shown and described.

**DESCRIPTION**

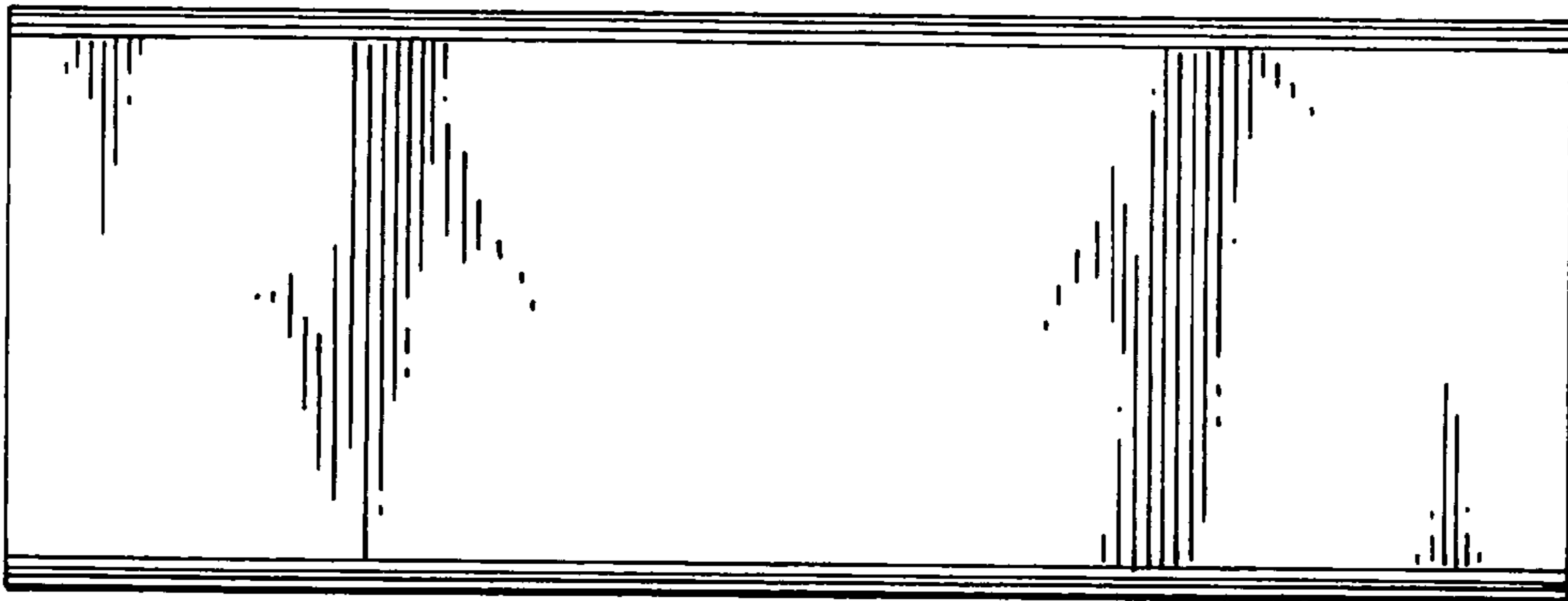
FIG. 1 is a perspective view;  
FIG. 2 is a top view thereof;  
FIG. 3 is a left side view thereof;  
FIG. 4 is an end view thereof, in which both ends appear the same;  
FIG. 5 is a bottom view thereof; and,  
FIG. 6 is a right side view thereof.

**1 Claim, 2 Drawing Sheets**

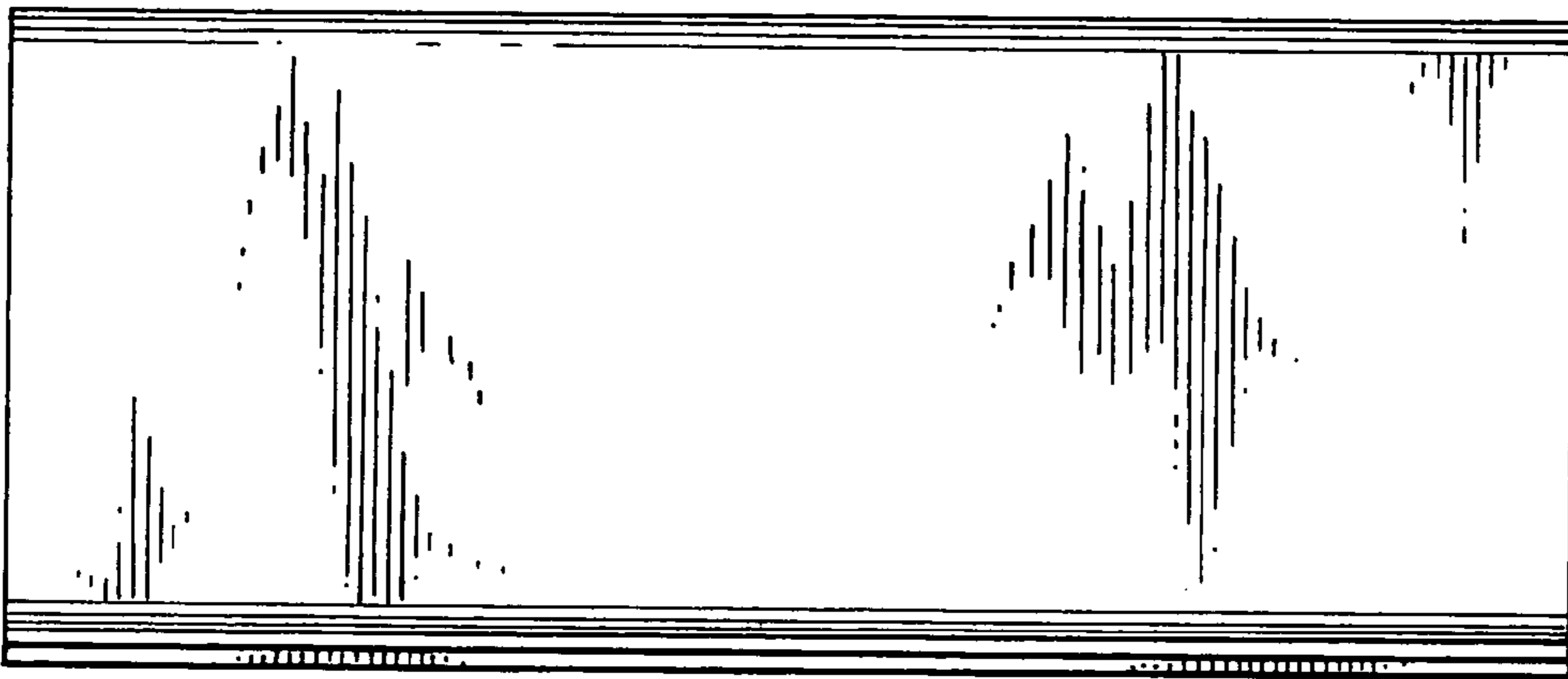




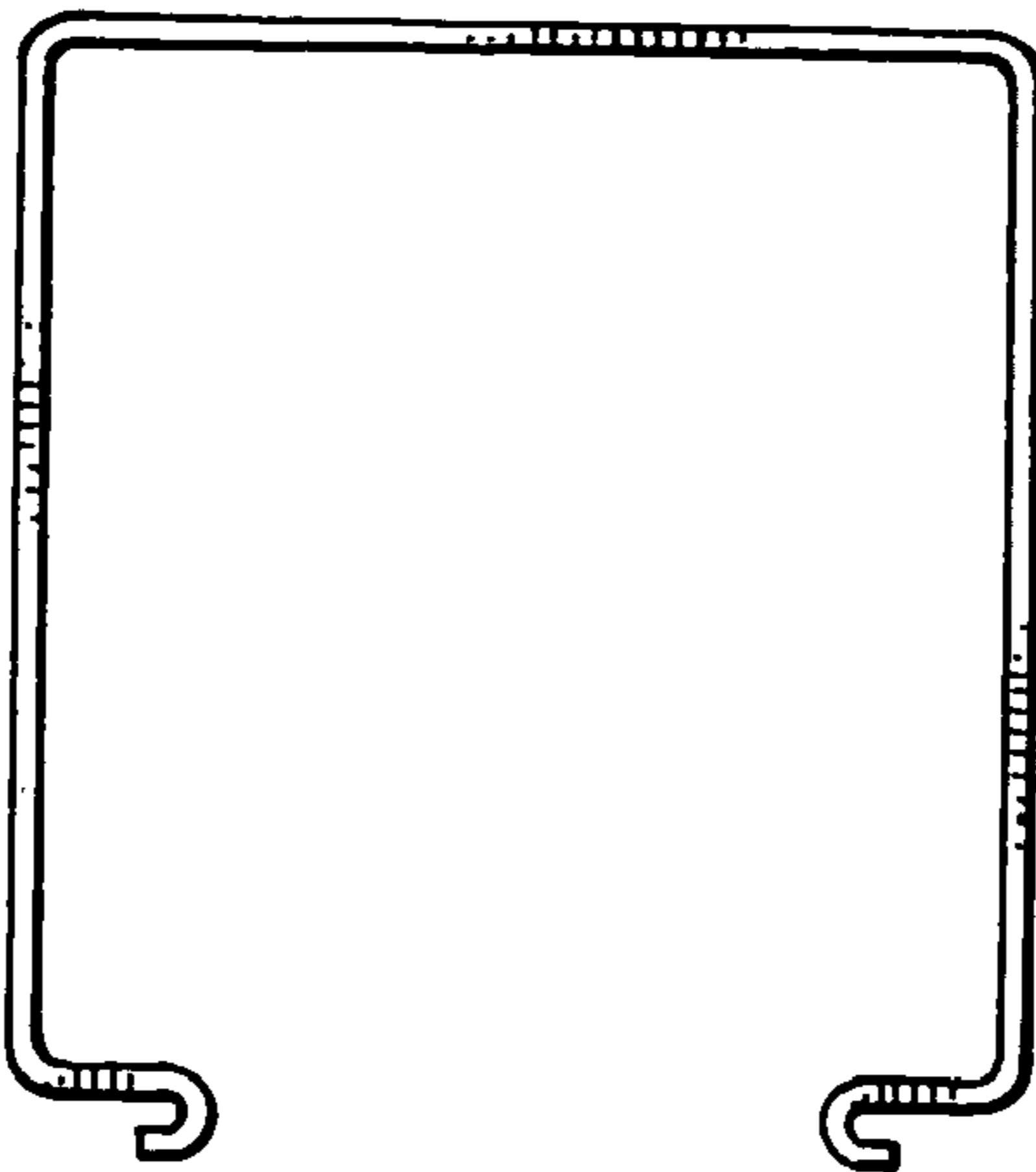
**Fig. 1**



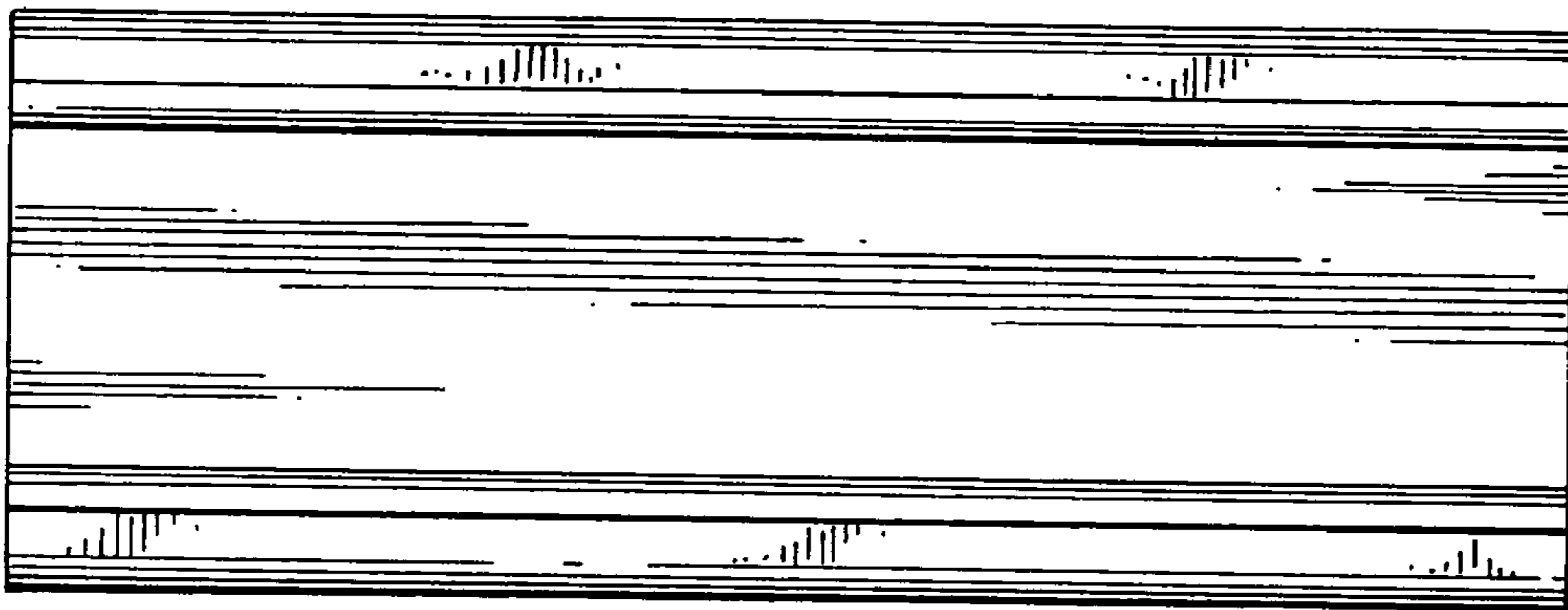
**Fig. 2**



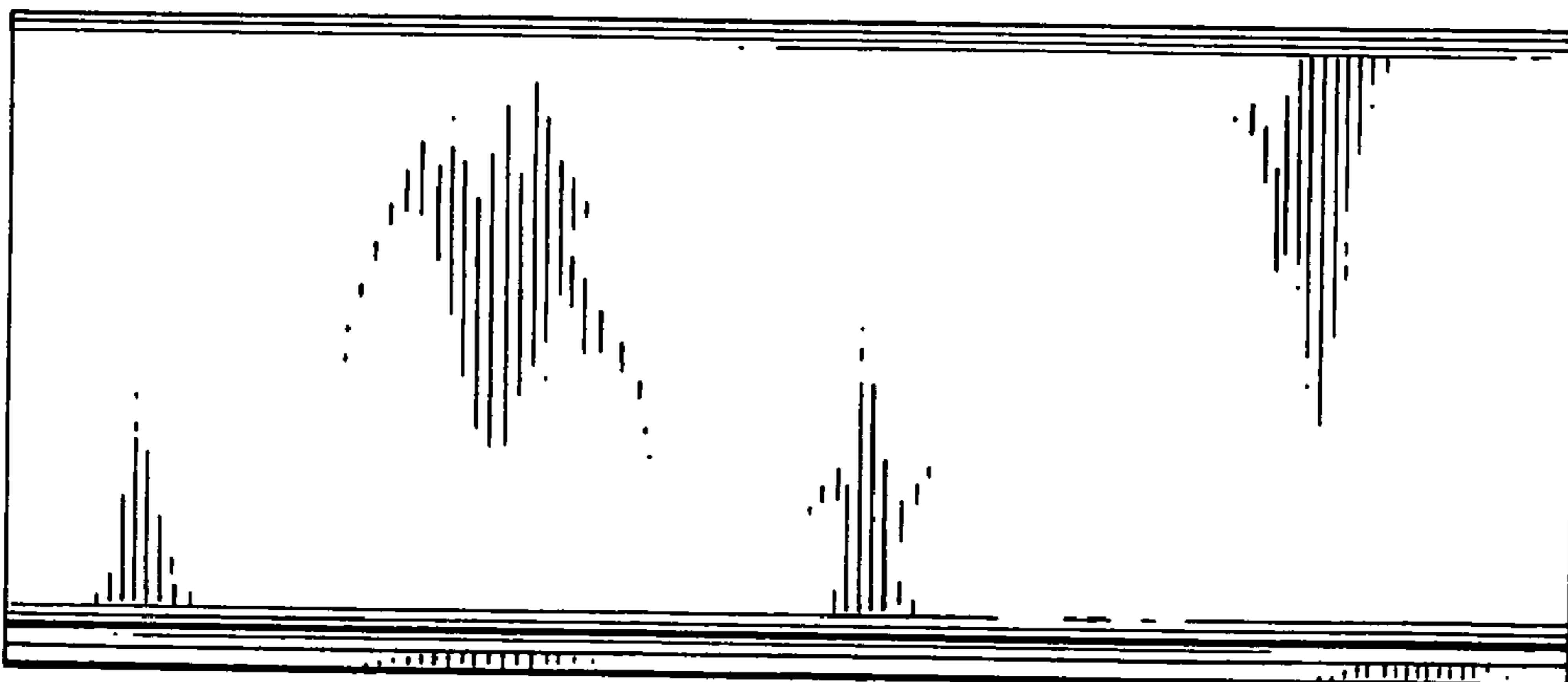
**Fig. 3**



**Fig. 4**



**Fig. 5**



**Fig. 6**