

US00D551769S

(12) **United States Design Patent**
Skwarek et al.

(10) **Patent No.: US D551,769 S**

(45) **Date of Patent: ** Sep. 25, 2007**

(54) **MULTIPLE THERAPY DELIVERY
PLATFORM DEVICE**

(75) Inventors: **Thomas R. Skwarek**, Shoreview, MN
(US); **Mark A. Christopherson**,
Shoreview, MN (US)

(73) Assignee: **Medtronic, Inc.**, Minneapolis, MN
(US)

(**) Term: **14 Years**

(21) Appl. No.: **29/230,443**

(22) Filed: **May 20, 2005**

(51) **LOC (8) Cl.** **24-01**

(52) **U.S. Cl.** **D24/186**

(58) **Field of Classification Search** D24/160,
D24/167-170, 185-187, 216-234; 128/736;
606/32, 43, 37, 41-42; 607/60
See application file for complete search history.

(56) **References Cited**

U.S. PATENT DOCUMENTS

D373,193 S *	8/1996	Luther	D24/167
D394,903 S *	6/1998	Barkley et al.	D24/167
D402,758 S *	12/1998	Barkley et al.	D24/167
D411,622 S *	6/1999	Hall	D24/170
D438,204 S *	2/2001	Winkler	D14/356
D441,450 S *	5/2001	Salvatori et al.	D24/167
D447,241 S *	8/2001	Deck	D24/167

D471,279 S *	3/2003	Locke et al.	D24/167
6,580,948 B2 *	6/2003	Hauptert et al.	607/60
D484,981 S *	1/2004	Faller et al.	D24/167
D499,183 S *	11/2004	Vaisnys et al.	D24/167
D509,900 S *	9/2005	Barnes et al.	D24/160
D538,432 S *	3/2007	Diener et al.	D24/160

* cited by examiner

Primary Examiner—Louis Zarfes

Assistant Examiner—Mark Cavanna

(74) *Attorney, Agent, or Firm*—Schumaker & Sieffert PA

(57) **CLAIM**

The ornamental design for the multiple therapy delivery platform device, as shown and described.

DESCRIPTION

FIG. 1 is a perspective view of a multiple therapy delivery platform device with the screen closed showing our new design;

FIG. 2 is a front view thereof;

FIG. 3 is a rear view thereof;

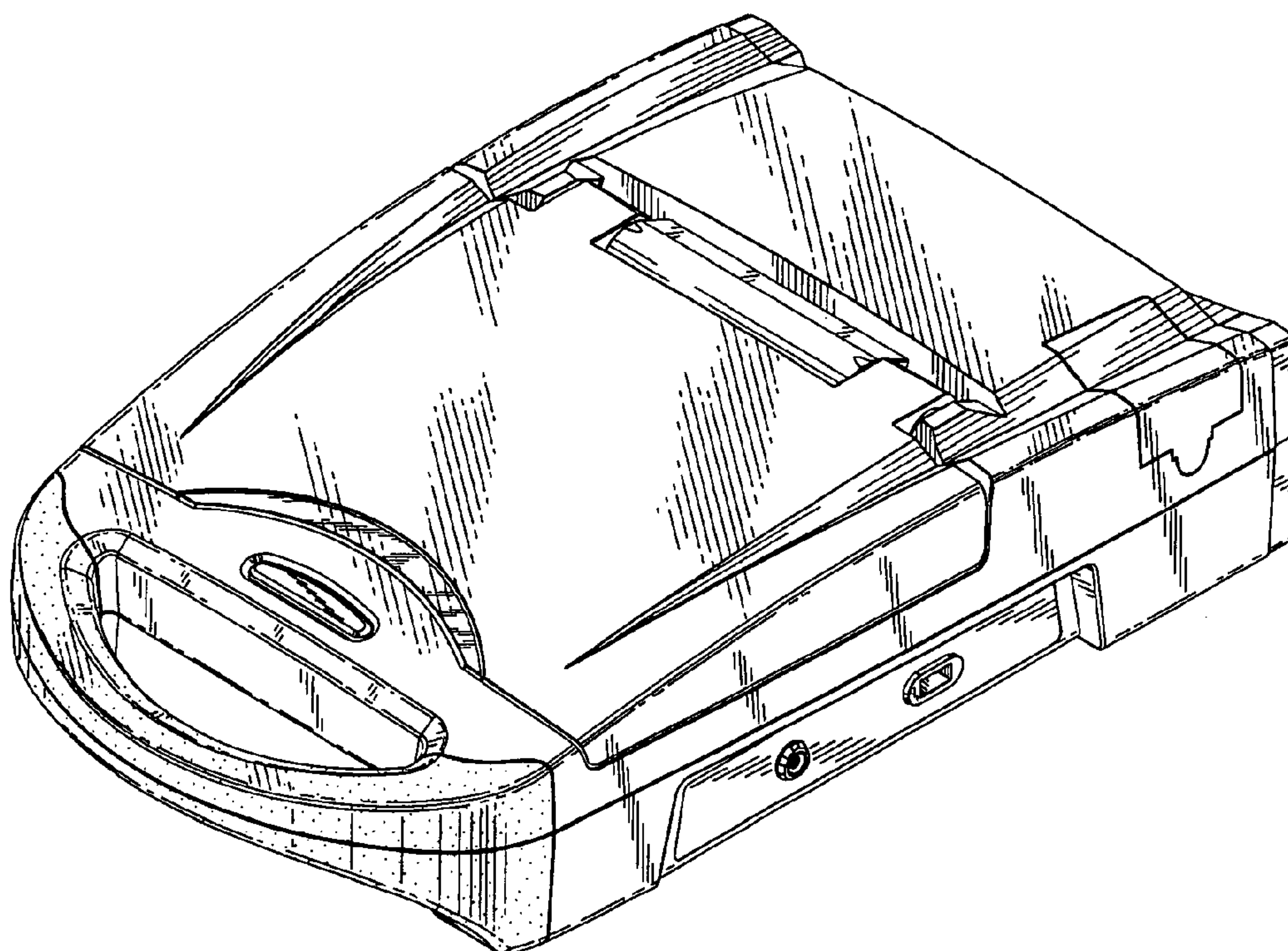
FIG. 4 is a bottom view thereof;

FIG. 5 is a left side view thereof;

FIG. 6 is a right side view thereof; and,

FIG. 7 is a top view thereof.

1 Claim, 7 Drawing Sheets



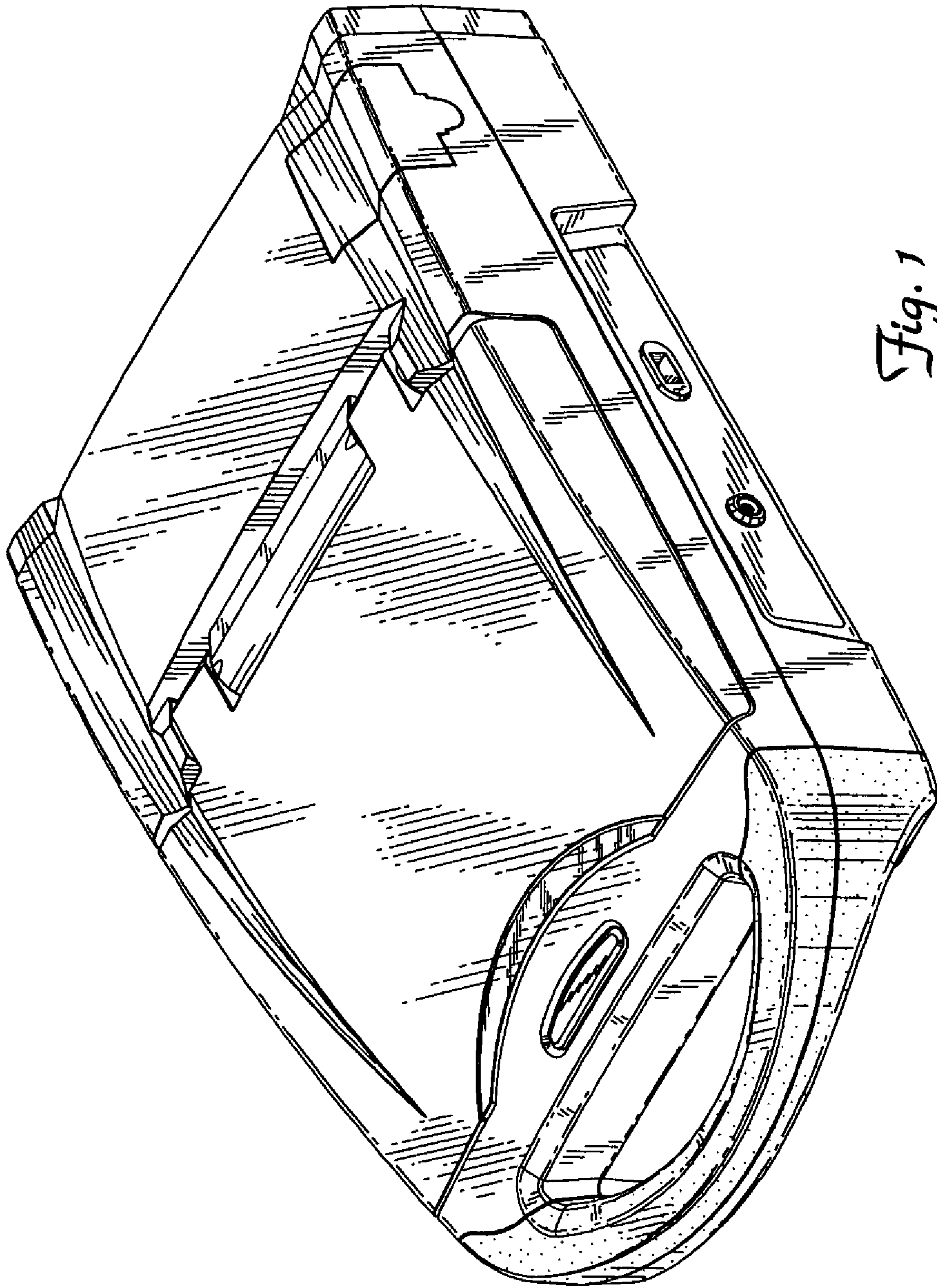


Fig. 1

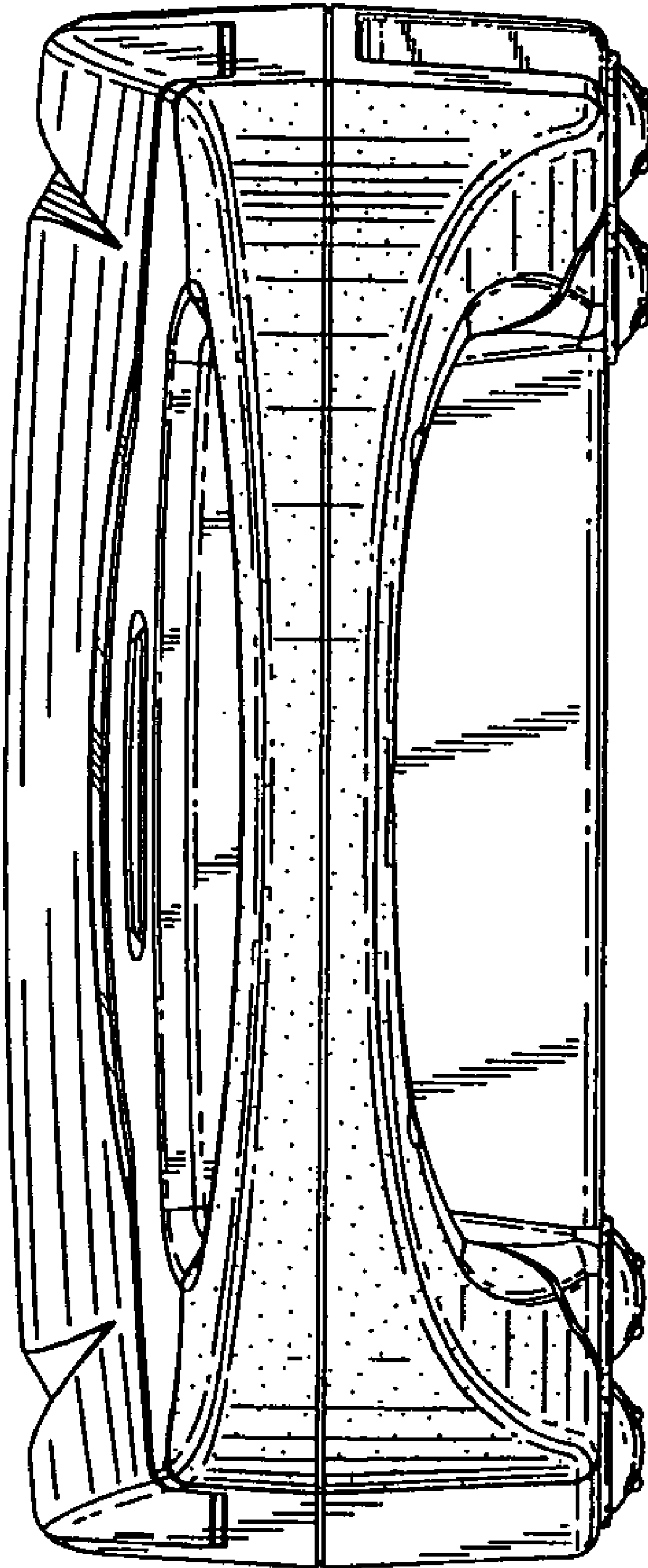


Fig. 2

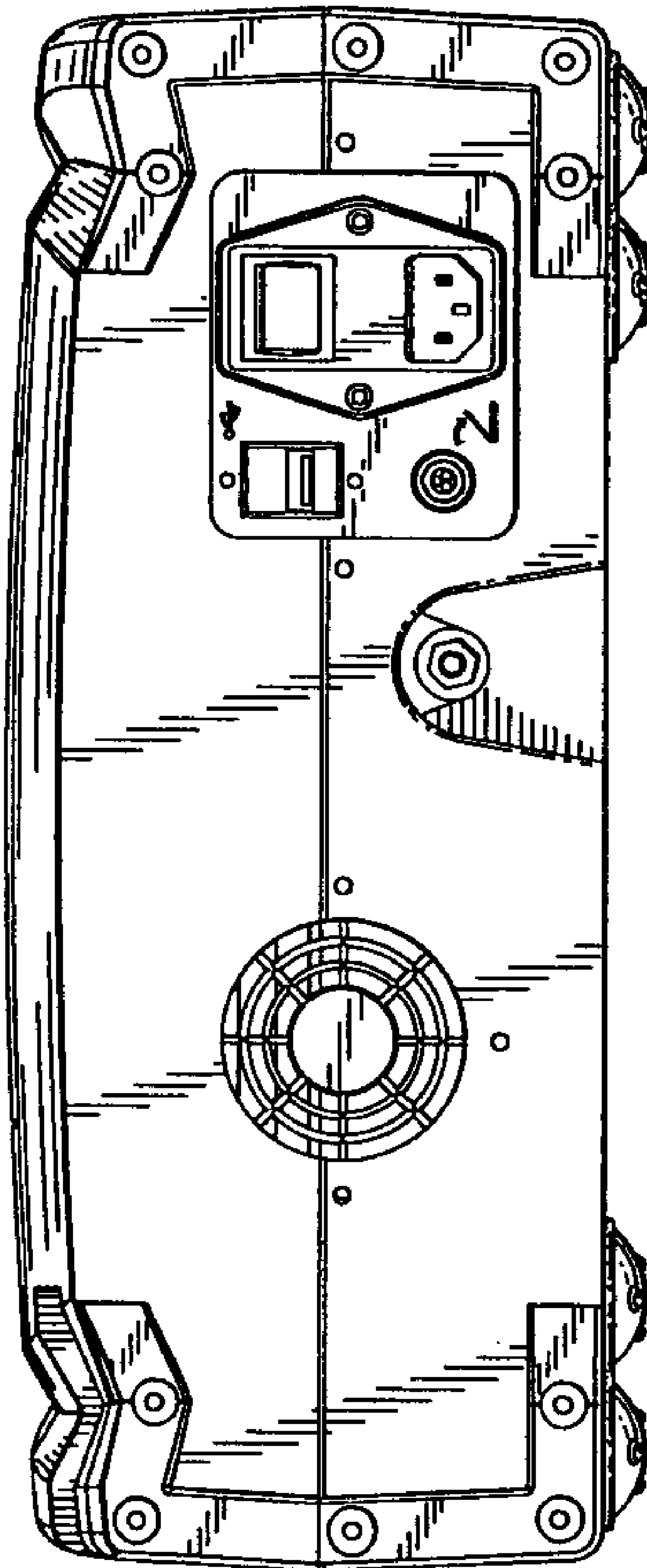


Fig. 3

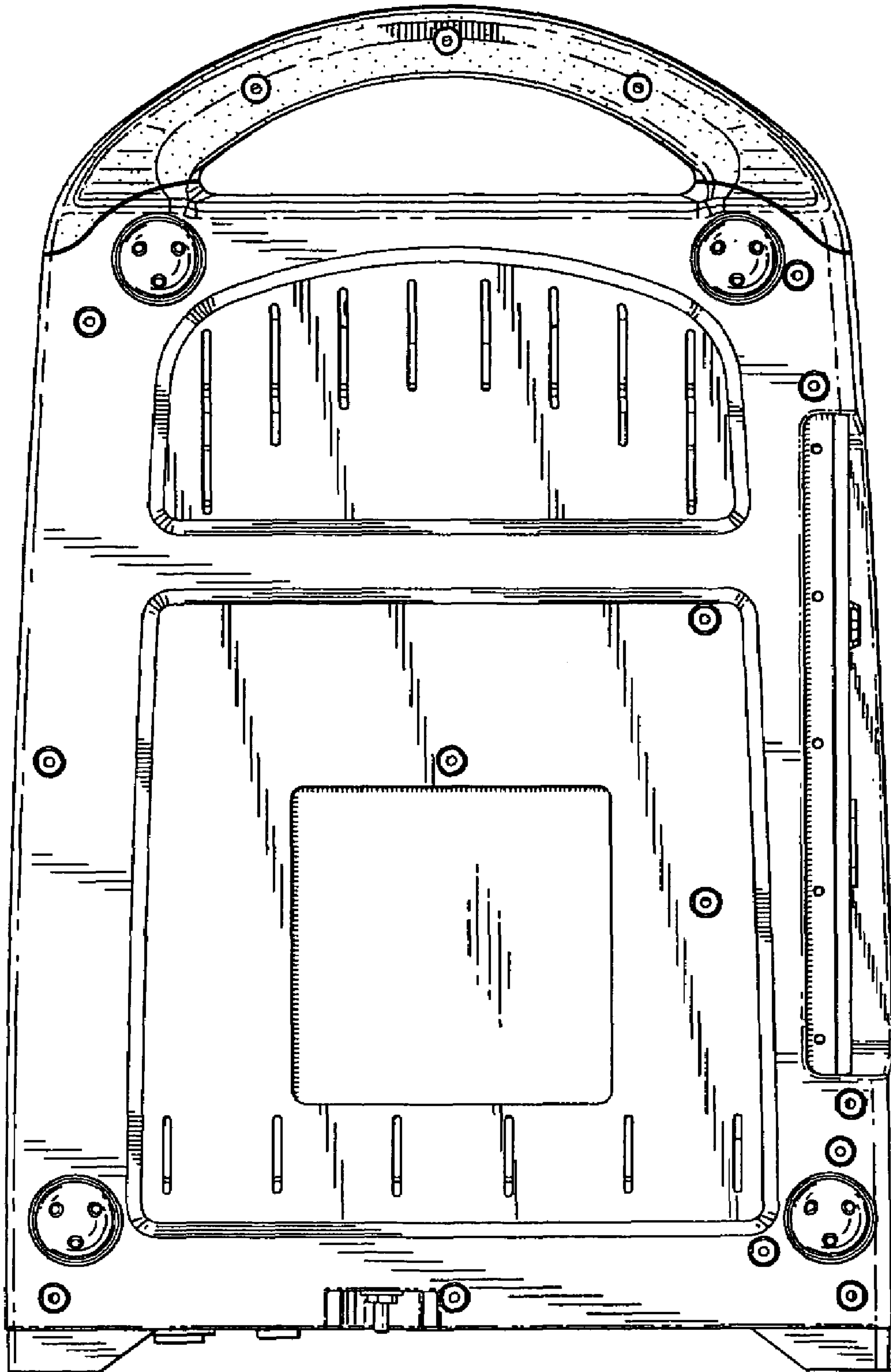


Fig. 4

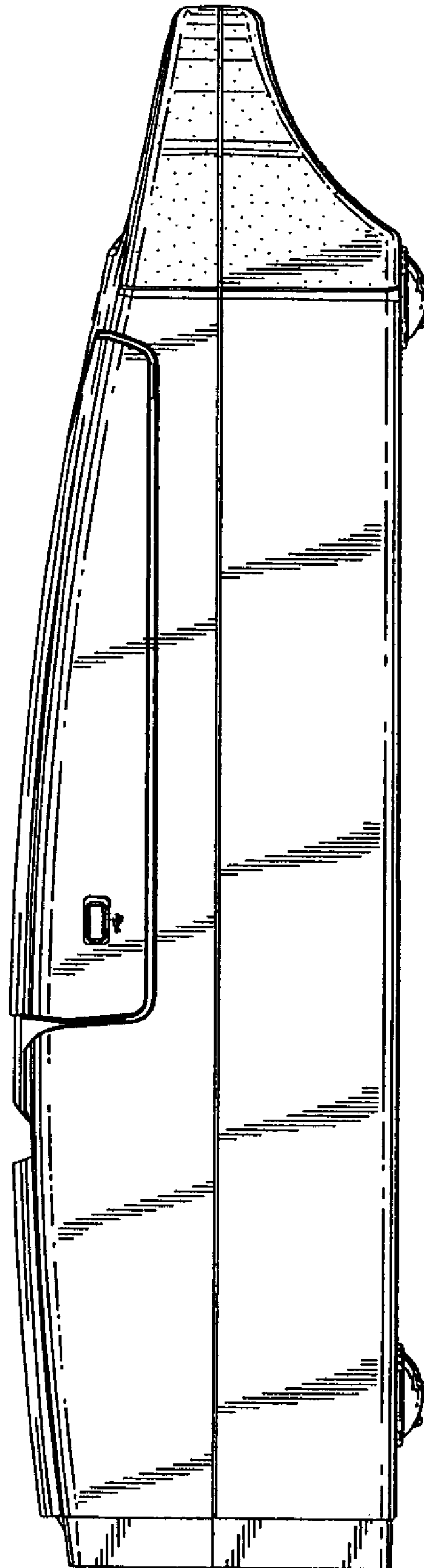


Fig. 5

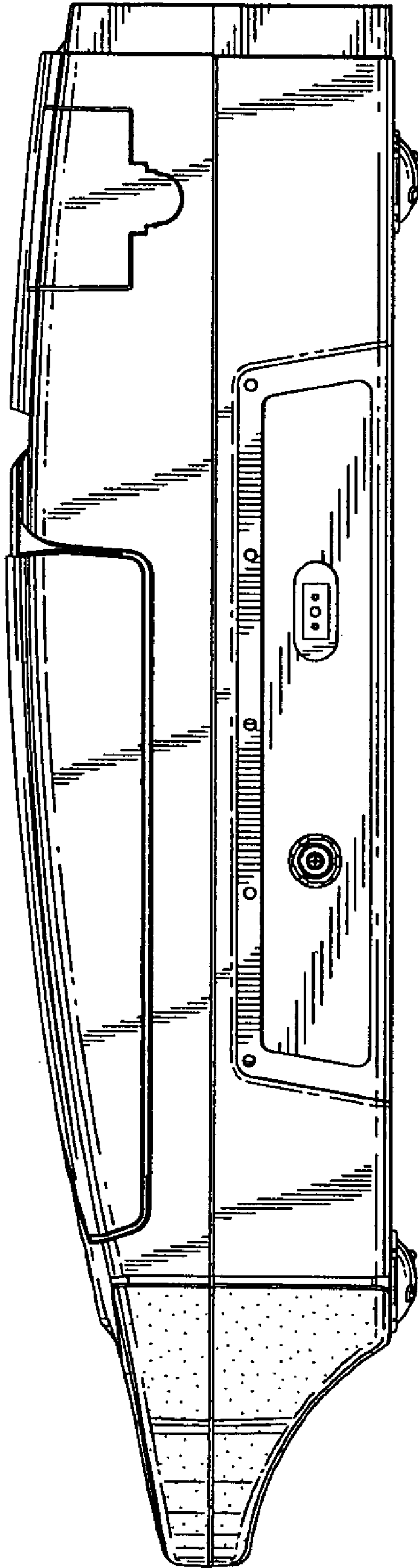


Fig. 6

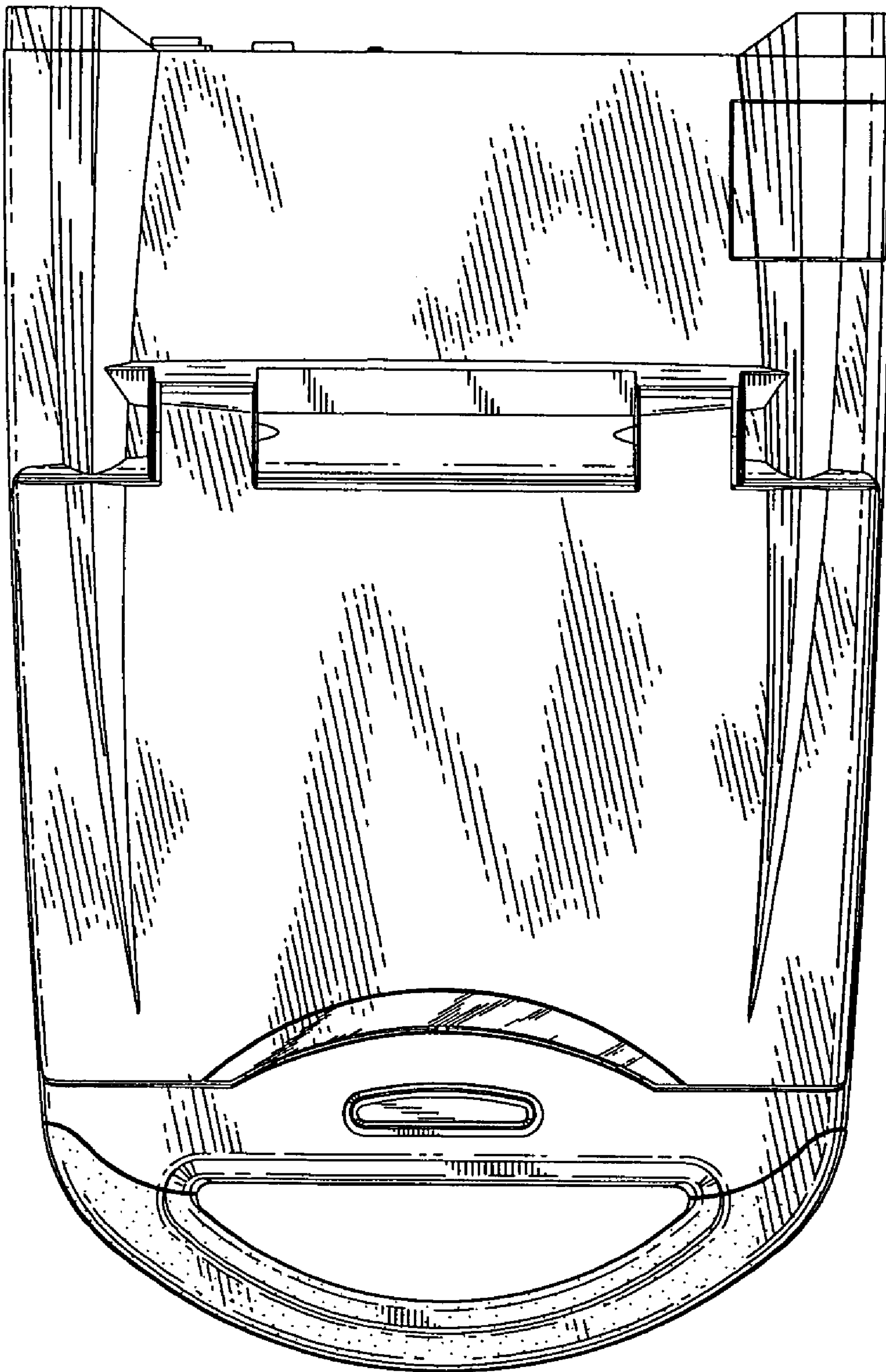


Fig. 7

UNITED STATES PATENT AND TRADEMARK OFFICE
Certificate

Patent No. D551,769 S

Patented: September 25, 2007

On petition requesting issuance of a certificate for correction of inventorship pursuant to 35 U.S.C. 256, it has been found that the above identified patent, through error and without any deceptive intent, improperly sets forth the inventorship.

Accordingly, it is hereby certified that the correct inventorship of this patent is: Thomas R. Skwarek, Shoreview, MN (US); Mark A. Christopherson, Shoreview, MN (US); THomas E. Kramer, Coon Rapids, MN (US); and Fusu Thao, St. Paul, MN (US).

Signed and Sealed this First Day of September 2009.

T. CHASE NELSON
Supervisory Patent Examiner
Art Unit 2914